

# 04010SS

## DC Axial Fan Sleeve Bearing

# 40<sup>□</sup>X10<sup>L</sup>



### General Specifications

Motor Protection Auto Restart / Polarity Protection  
Insulation Resistance 10MΩ or over with a DC500V Megger

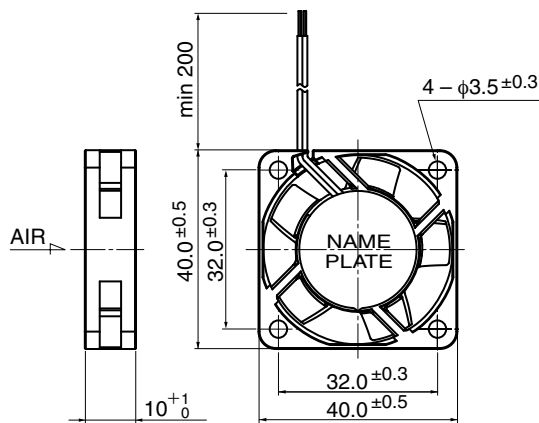
Dielectric Withstand Voltage : AC700V 1s

Allowable Ambient : - 10°C ~ +70°C (Operating)  
Temperature Range - 40°C ~ +70°C (Storage)  
non-condensing environment

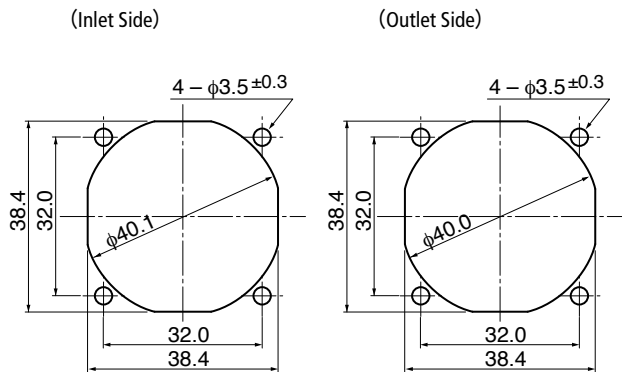
### Expected Life ※ Failure Rate: 10% (L10 Life)

40°C 30,000 (Hours)

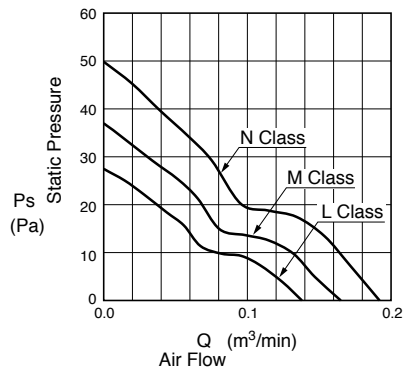
### Outline



### Panel Out-cuts



### Characteristic Curves



### Material

Casing : Plastic (Black) UL94V-0  
Impeller : Plastic (Black) UL94V-0  
Bearing : Sleeve Bearing  
Lead Wire : UL1061 AWG26 + : Red, - : Black

### Specifications

Model	Product No.	Rating Voltage	Operating Voltage	Current (A)*1	Input Power (W)*1	Speed (min <sup>-1</sup> )*1	Max. Air Flow		Max. Static Pressure		Noise (dB)*1	Mass (g)
		(V)	(V)				(m <sup>3</sup> /min)*1	(CFM)*1	(Pa)*1	(In H <sub>2</sub> O)*1		
04010SS-05L-AA-	00	5	4.5 ~ 5.5	0.09	0.45	5500	0.14	4.9	27.5	0.11	21.0	16
04010SS-05M-AA-	00			0.13	0.65	6500	0.16	5.6	37.0	0.15	24.0	
04010SS-05N-AA-	00			0.17	0.85	7500	0.19	6.7	50.0	0.20	29.0	
04010SS-12L-AA-	00	12	10.2 ~ 13.8	0.033	0.40	5500	0.14	4.9	27.5	0.11	21.0	
04010SS-12M-AA-	00			0.050	0.60	6500	0.16	5.6	37.0	0.15	24.0	
04010SS-12N-AA-	00			0.059	0.71	7500	0.19	6.7	50.0	0.20	29.0	
04010SS-24L-AA-	00	24	20.0 ~ 26.4	0.024	0.58	5500	0.14	4.9	27.5	0.11	21.0	
04010SS-24M-AA-	00			0.029	0.70	6500	0.16	5.6	37.0	0.15	24.0	
04010SS-24N-AA-	00			0.046	1.10	7500	0.19	6.7	50.0	0.20	29.0	

Rotation: Clockwise as seen from the label side  
Airflow Outlet: Label side

\*1: Average Values in Free Air

# Mouser Electronics

Authorized Distributor

Click to View Pricing, Inventory, Delivery & Lifecycle Information:

[NMB Technologies:](#)

[04010SS-24M-AT-00](#) [04010SS-24L-AL-00](#) [04010SS-24N-AL-00](#) [04010SS-24M-AL-00](#)