

# 08025SS

80<sup>□</sup>X25<sup>L</sup>

## DC Axial Fan Sleeve Bearing

DC FAN

General purpose

Industrial

Server

Refrigerator

Blower

### General Specifications

Motor Protection Auto Restart / Polarity Protection

Insulation Resistance 10MΩ or over with a DC500V Megger

Dielectric Withstand Voltage : AC700V 1s

Allowable Ambient : L, M Class : -10°C ~ +70°C (Operating)

Temperature Range N, Q Class : -10°C ~ +60°C (Operating)

-40°C ~ +70°C (Storage)

non-condensing environment



### Outline

### Expected Life

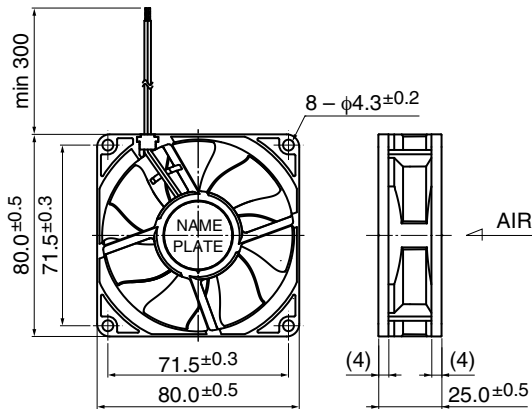
※ Failure Rate: 10% (L10 Life)

40°C 50,000 (Hours)

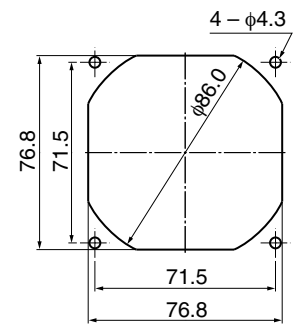
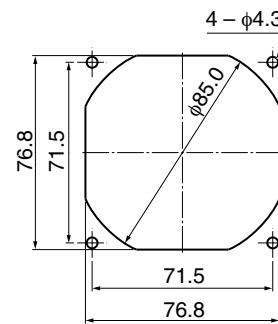
### Panel Out-cuts

(Inlet Side)

(Outlet Side)

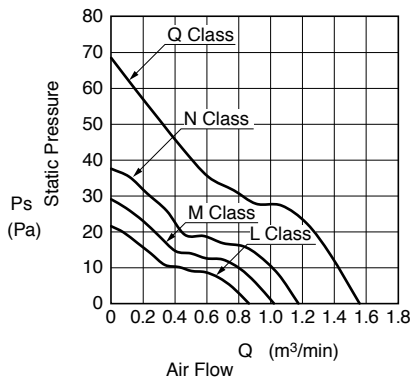


\* Outline is E (Flange) type.



### Characteristic Curves

### Material



- Casing : Plastic (Black) UL94V-0
- Impeller : Plastic (Black) UL94V-0
- Bearing : Sleeve Bearing
- Lead Wire : UL1007 AWG26 + : Red, - : Black

### Specifications

□ = Casing Form --- A: Rib Type, E: Flange Type

Model	Product No.	Rating Voltage	Operating Voltage	Current	Input Power	Speed	Max. Air Flow		Max. Static Pressure		Noise	Mass
		(V)	(V)	(A)*1	(W)*1	(min <sup>-1</sup> )*1	(m <sup>3</sup> /min)*1	(CFM)*1	(Pa)*1	(In H <sub>2</sub> O)*1	(dB)*1	(g)
08025SS-12L-□A-	D0	12	6.0 ~ 13.8	0.08	0.96	2300	0.86	30.4	21.5	0.09	22.0	80
08025SS-12M-□A-	D0			0.11	1.32	2700	1.02	36.0	29.0	0.12	26.0	
08025SS-12N-□A-	D0			0.16	1.92	3100	1.17	41.3	37.5	0.15	30.0	
08025SS-24L-□A-	D0	24	10.0 ~ 27.6	0.05	1.20	2300	0.86	30.4	21.5	0.09	22.0	
08025SS-24M-□A-	D0			0.07	1.68	2700	1.02	36.0	29.0	0.12	26.0	
08025SS-24N-□A-	D0			0.09	2.16	3100	1.17	41.3	37.5	0.15	30.0	
08025SS-24Q-□A-	D0			0.21	5.04	4100	1.55	54.7	68.0	0.27	39.5	

Rotation: Clockwise as seen from the label side  
Airflow Outlet: Label side

\*1: Average Values in Free Air

# Mouser Electronics

Authorized Distributor

Click to View Pricing, Inventory, Delivery & Lifecycle Information:

[NMB Technologies:](#)

[08025SS-24M-EA-D0](#) [08025SS-24L-AA-D0](#) [08025SS-12N-AA-D0](#) [08025SS-24L-EA-D0](#) [08025SS-24N-EA-D0](#)  
[08025SS-24M-AA-D0](#) [08025SS-24N-AA-D0](#) [08025SS-12N-EA-D0](#) [08025SS-24Q-EA-D0](#) [08025SS-24Q-AT-00](#)  
[08025SS-12N-AT-00](#) [08025SS-24L-ET-D0](#) [08025SS-24Q-AL-D0](#) [08025SS-12N-EL-D0](#) [08025SS-24N-AT-D0](#)  
[08025SS-24M-EL-D0](#) [08025SS-24Q-ET-D0](#) [08025SS-24L-EL-D0](#) [08025SS-24N-AL-D0](#) [08025SS-12N-AL-D0](#)  
[08025SS-24M-ET-D0](#)