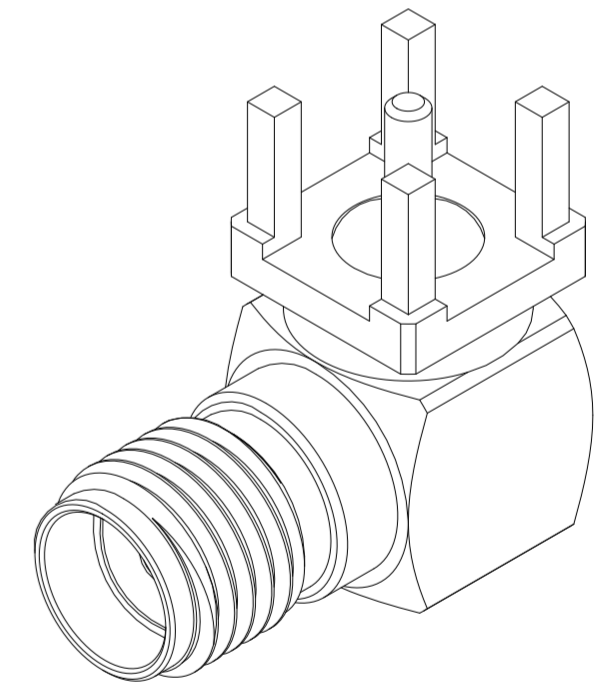
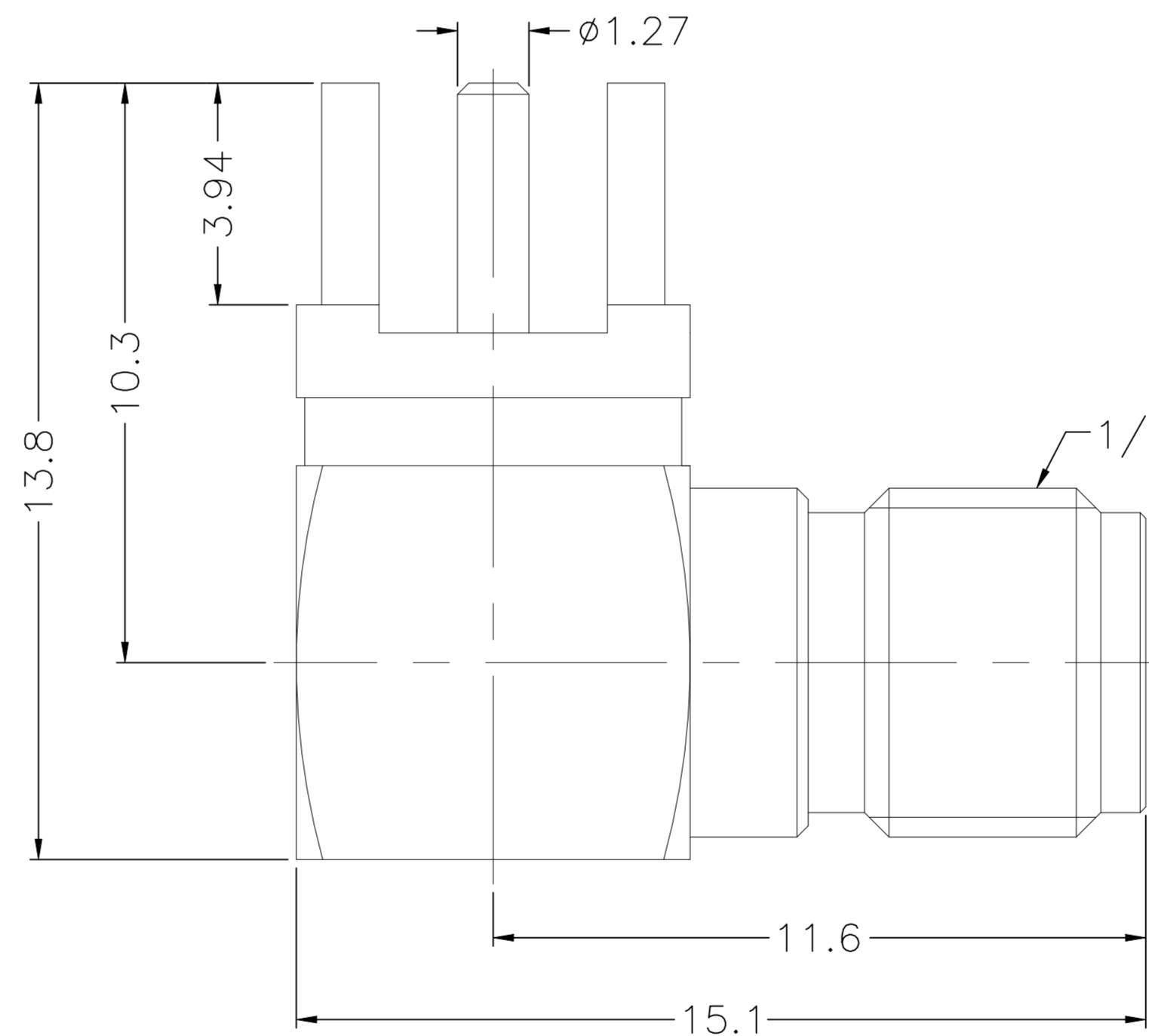
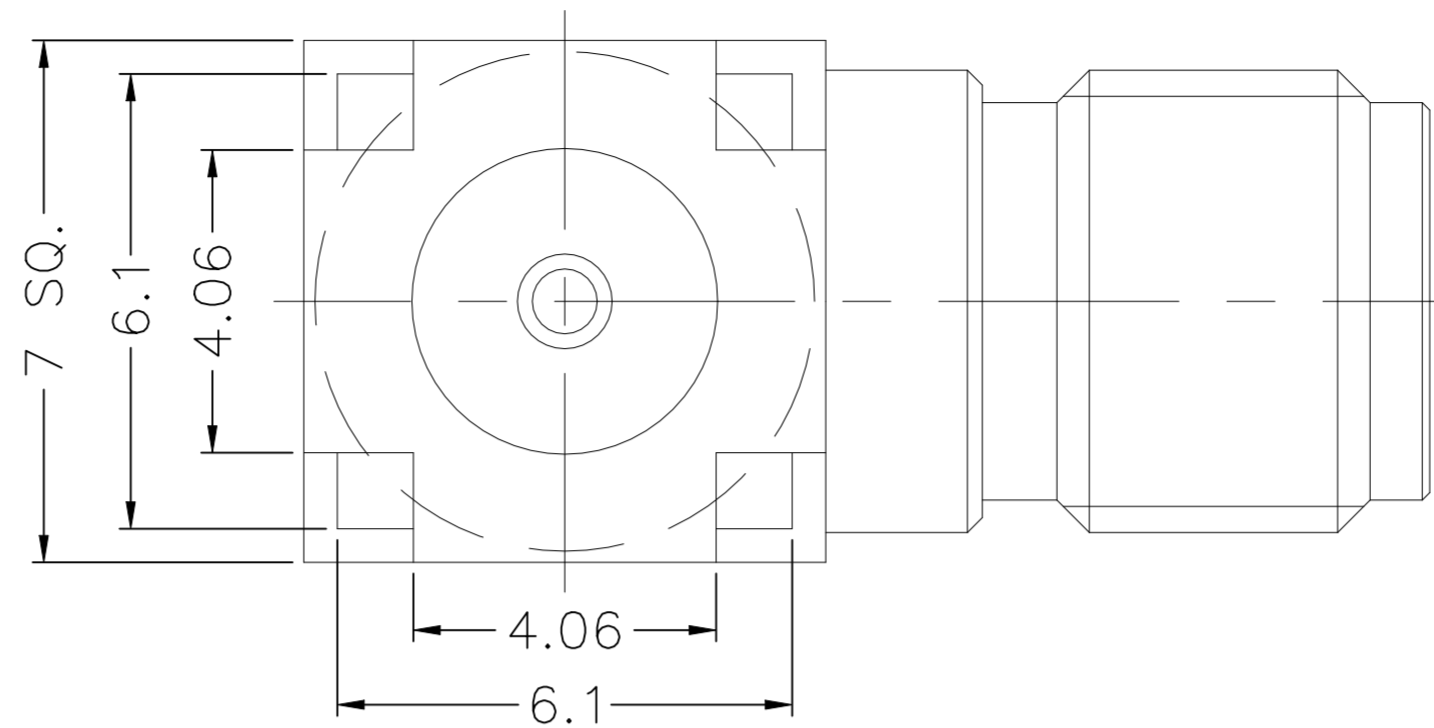
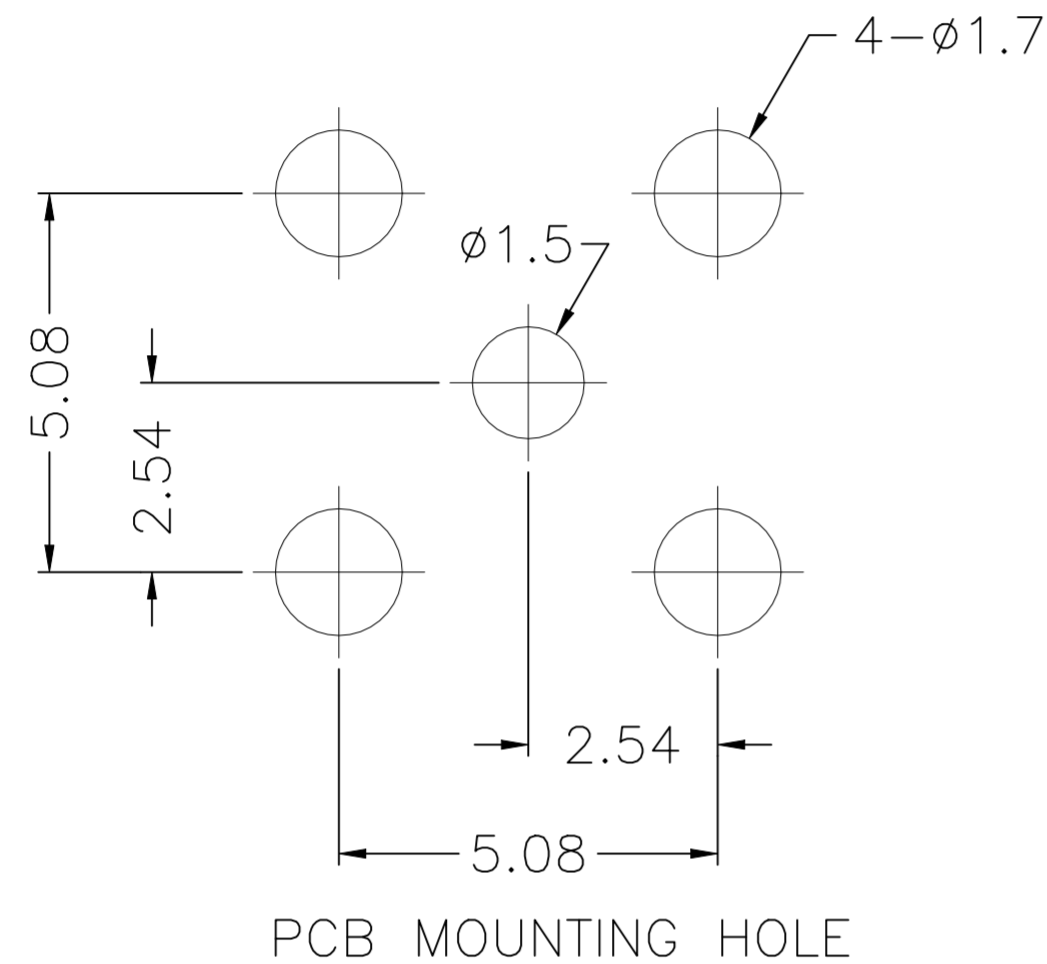


REVISIONS					
P	LTR	DESCRIPTION	DATE	DWN	APVD
A		ECN-24-274897 : GTP	11JUL2024	SS	WH

- SPECIFICATIONS:
1. IMPEDANCE: 50Ω
 2. FREQUENCY: DC to 18GHz
 3. VSWR/RL: 1.25 max./ 19.1 dB min.
 4. CONTACT RESISTANCE:
CENTER: 3 milliohms max.
OUTER: 2 milliohms max.
 5. TEMPERATURE RANGE: -65°C TO +165°C
 6. DURABILITY: 500 cycles min.
 7. ENGAGEMENT AND DISENGAGEMENT FORCE:
ENGAGEMENT: 2 in-lbs max.
DISENGAGEMENT: 2 in-lbs max.
 8. ROHS & REACH COMPLIANT



NOTES: FINISH (PLATING THICKNESS IN MICRO-INCHES)

1. BRASS
2. GOLD PL. 3 MIN. THICK OVER NICKEL PL. 50 MIN. THICK OVER COPPER PL. 50 MIN. THICK
3. BERYLLIUM COPPER
4. GOLD PL. 30 MIN. THICK OVER NICKEL PL. 50 MIN. THICK OVER COPPER PL. 50 MIN. THICK
5. PTFE

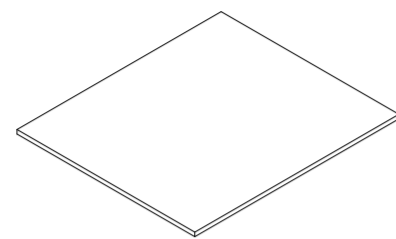
UNLESS OTHERWISE SPECIFIED TOLERANCES

- 0.5-6 = \pm 0.2
- 6-30 = \pm 0.4
- 30-120 = \pm 0.6
- 120-315 = \pm 1
- 315-1000 = \pm 1.6
- 1000-2000 = \pm 2.4

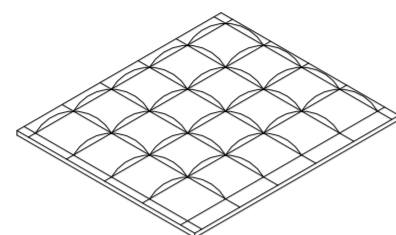
1	NOTE 2	NOTE 1	BODY	5
1	NATURAL	NOTE 5	INSULATOR	4
1	NOTE 4	NOTE 3	CONTACT PIN	3
1	NATURAL	NOTE 5	INSULATOR	2
1	NOTE 2	NOTE 1	HOUSING	1
2484782-1	FINSIH	MATERIAL	DESCRIPTION	ITEM

THIS DRAWING IS A CONTROLLED DOCUMENT.		DWN	29MAR2024	SIDDHARTH SINGH	
		CHK	29MAR2024	ERIC DAI	
		APVD	29MAR2024	WENKE HE	
DIMENSIONS:		TOLERANCES UNLESS OTHERWISE SPECIFIED:		NAME	
mm		0 PLC \pm -		SMA JACK RA PCB THRU HOLE 18 GHz 50 Ohm	
		1 PLC \pm -		-	
		2 PLC \pm -		-	
		3 PLC \pm -		-	
		4 PLC \pm -		-	
		ANGLES \pm 5		-	
MATERIAL		FINISH		SIZE	
-		-		A2	
		WEIGHT		CAGE CODE	
		-		00779	
		CUSTOMER DRAWING		DRAWING NO	
				C=2484782	
		SCALE		RESTRICTED TO	
		1:1		-	
		SHEET		REV	
		1 of 2		A	

REVISIONS					
P	LTR	DESCRIPTION	DATE	DWN	APVD
-	-	SEE SHEET 1	-	-	-

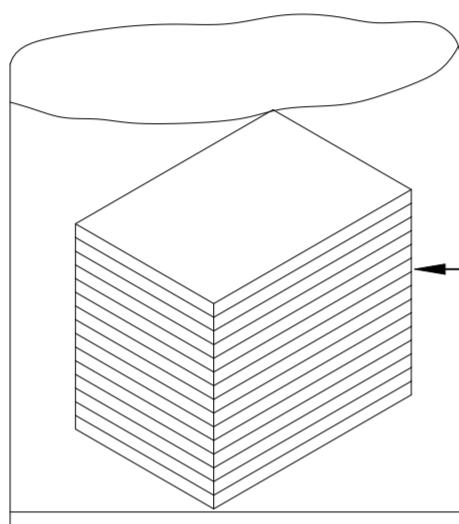


← Place a cardboard on the top of the trays.

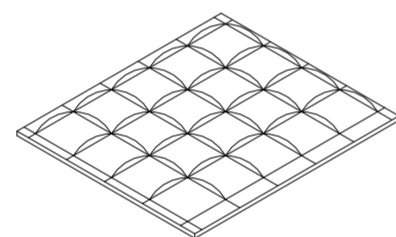


← Bubble Wrap

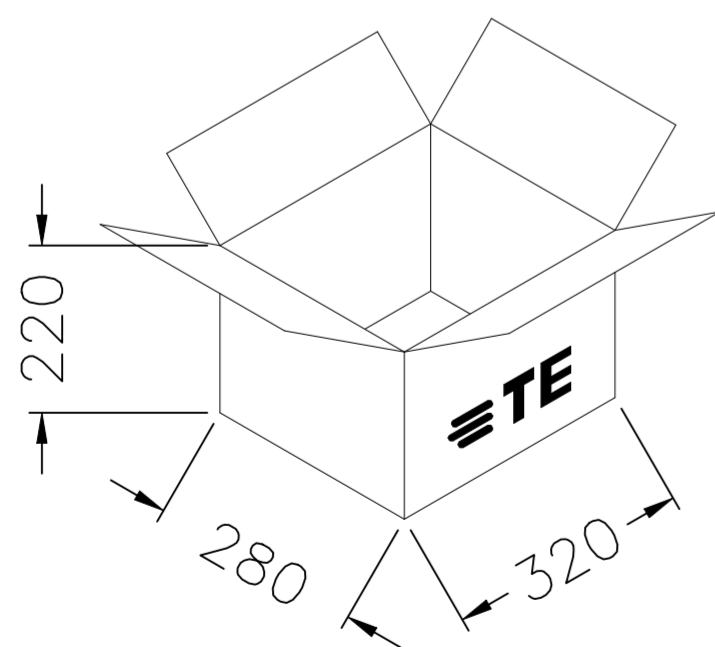
(11X12.5)inch



← Pack 100 pcs per tray. There is 1 tray per layer, total of 15 layers.



← Bubble Wrap



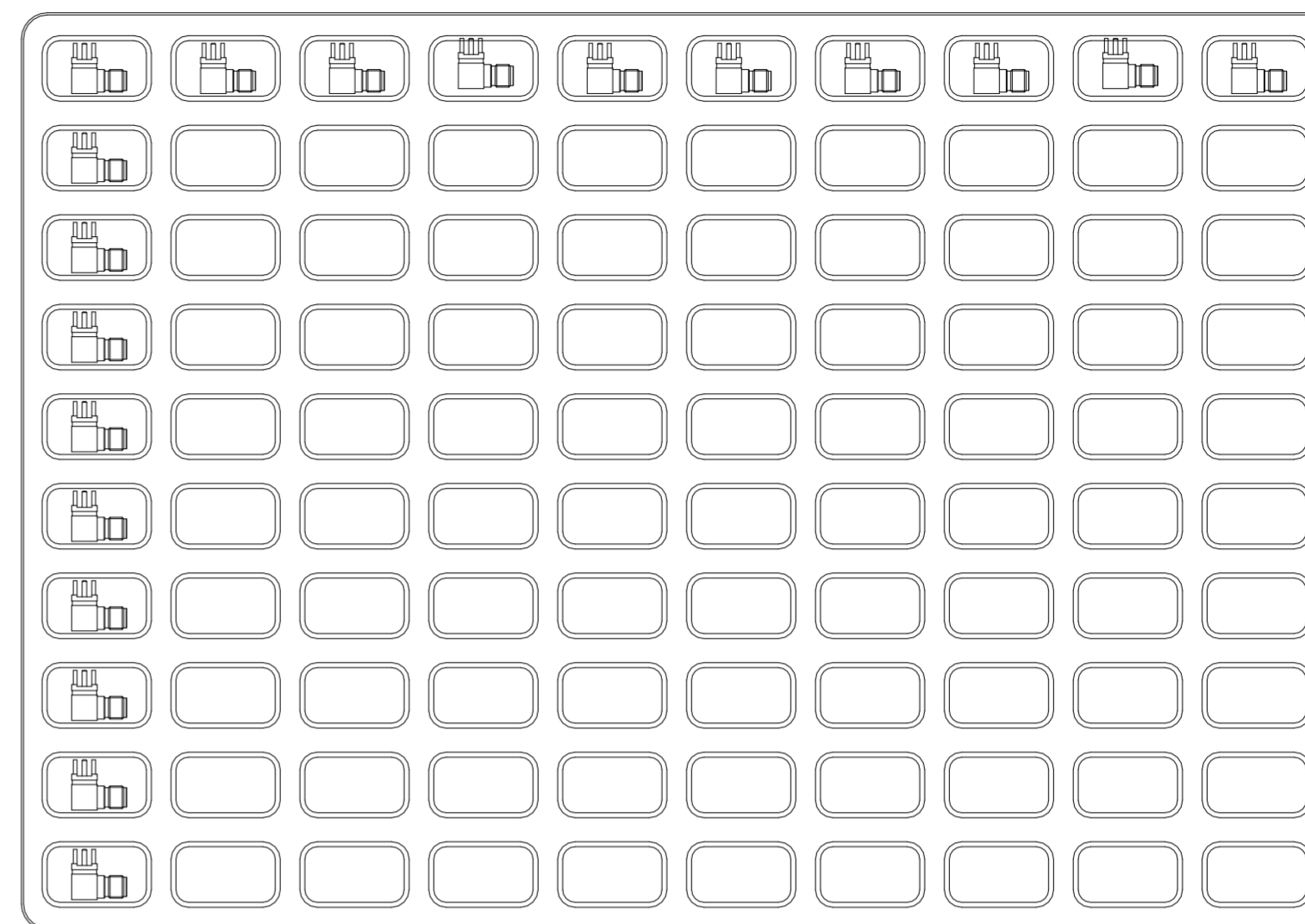
- NOTE: 1. 100 pcs / Tray, 15 tray = 1500 pcs
 2. Place 15 trays into 11X12.5" bag
 3. Bubble warp must be placed in the box, cover cardboard must placed on the top before sealing the box

RoHS, REACH Compliance

DIMENSIONS ARE IN MILLIMETERS

UNLESS OTHERWISE SPECIFIED TOLERANCES

- 0.5-6 = ±0.2
- 6-30 = ±0.4
- 30-120 = ±0.6
- 120-315 = ±1
- 315-1000 = ±1.6
- 1000-2000 = ±2.4



THIS DRAWING IS A CONTROLLED DOCUMENT.		DWN SIDDHARTH SINGH 29MAR2024	TE Connectivity Ltd.	
DIMENSIONS: mm		CHK ERIC DAI 29MAR2024		
TOLERANCES UNLESS OTHERWISE SPECIFIED:		APVD WENKE HE 29MAR2024	NAME SMA JACK RA PCB THRU HOLE 18 GHz 50 Ohm	
0 PLC ± -		PRODUCT SPEC 108-161323	APPLICATION SPEC	
1 PLC ± -		WEIGHT	SIZE A2	CAGE CODE 00779
2 PLC ± -		FINISH	DRAWING NO C=2484782	RESTRICTED TO
3 PLC ± -		MATERIAL	SCALE 1:1	SHEET 2 of 2
4 PLC ± -			REV A	
ANGLES ± 5		CUSTOMER DRAWING		

Mouser Electronics

Authorized Distributor

Click to View Pricing, Inventory, Delivery & Lifecycle Information:

[TE Connectivity:](#)

[2484782-1](#)