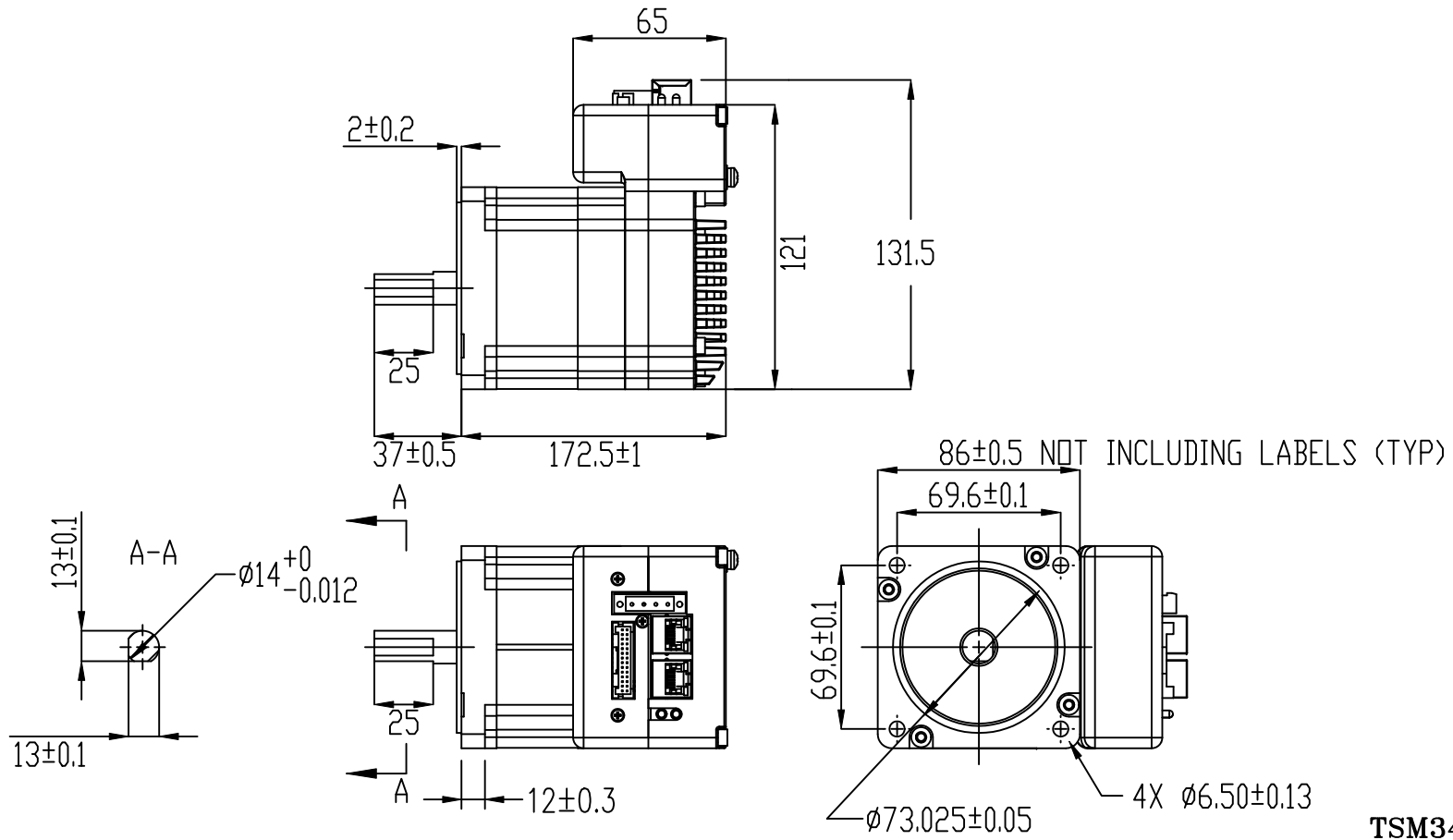


REVISIONS				
ECO NO.	REV	DESCRIPTION	DATE	APPROVED
7466	A	INITIAL RELEASE	8/31/16	J.KORDIK



**TSM34Q-5DG**

<b>TOLERANCES</b> *ALL DIMENSIONS IN MM DECIMALS: MM X.XX = ±0.13 X.X = ±0.25 ANGLES: MACH. = ±0.5° CHAM. = ±5°	<b>THIRD ANGLE PROJECTION</b> 		<b>APPLIED MOTION PRODUCTS, INC.</b> <b>INTEGRATED StepSERVO MOTOR</b> <b>OUTLINE DRAWING</b>		
	APPROVALS DRAWN K.KESLER CHECKED - APPROVED -	DATE 7/13/16			<b>B</b>
	COMPUTER DATA BASE DRAWING		SCALE: NONE	SHEET 1 OF 1	

# Mouser Electronics

Authorized Distributor

Click to View Pricing, Inventory, Delivery & Lifecycle Information:

[Applied Motion:](#)

[TSM34Q-5DG](#)