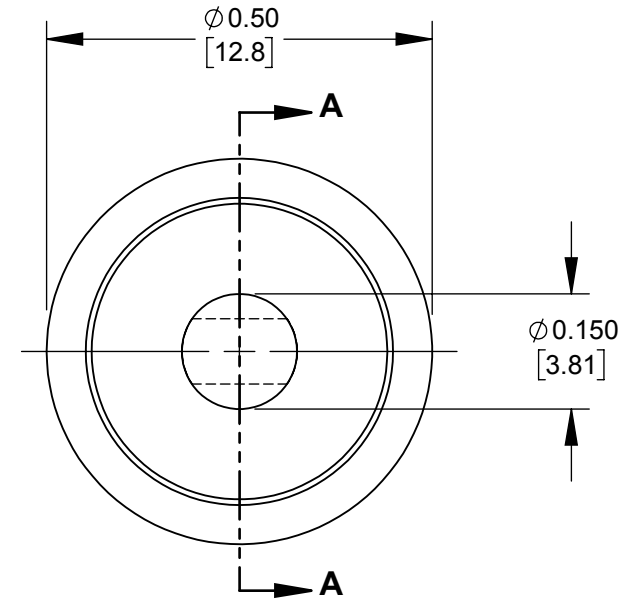
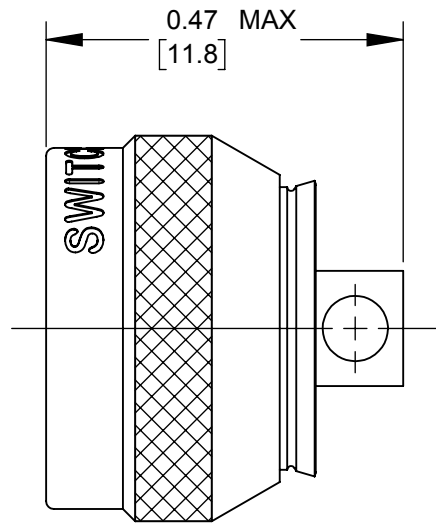


SECTION A-A



CUSTOMER DRAWING

NOTES:

- 1. THIS PART IS RoHS COMPLIANT.

					THIS DRAWING DESCRIBES A DESIGN CONSIDERED PROPRIETARY IN NATURE, DEVELOPED AND MANUFACTURED BY SWITCHCRAFT INC. AND IS RELEASED ON A CONFIDENTIAL BASIS FOR IDENTIFICATION PURPOSES ONLY.				
					SIZE	WIDTH	MULT	LBS/M	TEMPER
					UNLESS OTHERWISE SPECIFIED			FINISH	
					1. ALL DIMENSIONS IN INCHES [mm]			MATERIAL	
					- TWO PLACE DECIMALS ±0.02 [0.5]			SPEC No.	
					- THREE PLACE DECIMALS ±0.005 [0.13]			FIRST USED ON	
					-			SCALE	
					DATE DRAWN	BY	CHKD	APVD	Switchcraft®
					04/24/18	TS	TS	TJK	
					NAME			PART No.	
					TS2 PANEL/IN-LINE			TS2PCAPM	
					THREADED SEALED CAP, RoHS			REV	
								A	
REVISIONS					DO NOT SCALE DRAWING				



Mouser Electronics

Authorized Distributor

Click to View Pricing, Inventory, Delivery & Lifecycle Information:

[Switchcraft:](#)

[TS2PCAPM](#)