

NBC-R4AC/5,0-93K/R4ACR - Patch cable



1041700

<https://www.phoenixcontact.com/us/products/1041700>

Please be informed that the data shown in this PDF document is generated from our online catalog. Please find the complete data in the user documentation. Our general terms of use for downloads are valid.



Sercos III patch cable, shielded, star quad, 22 AWG stranded (7-wire), RAL 3020 (traffic red), RJ45 connector/IP20, straight to RJ45 connector/IP20, straight, length: 15 m

Your advantages

- Perfect for industrial applications
- Compact angle
- Perfect for office, building, and protected industrial applications (e.g., in control cabinets)

Commercial data

Item number	1041700
Packing unit	1 pc
Minimum order quantity	100 pc
Product key	ABNABA
GTIN	4055626599274
Weight per piece (including packing)	219.5 g
Weight per piece (excluding packing)	359.779 g
Country of origin	PL

NBC-R4AC/5,0-93K/R4ACR - Patch cable



1041700

<https://www.phoenixcontact.com/us/products/1041700>

Technical data

Product properties

Product type	Data cable preassembled
Product family	RJ45 INDUSTRIAL PN4 CAT5
Sensor type	Sercos
Number of positions	4
Cable outlet	straight

Insulation characteristics

Degree of pollution	1
---------------------	---

Electrical properties

Rated voltage (III/3)	72 V (DC)
Transmission medium	Copper
Transmission speed	100 Mbps

Material specifications

Flammability rating according to UL 94	V0
--	----

Connector

Connection 1

Type	Plug straight RJ45
Handle color	black
Material	CuSn (Contact) Ni/Au (Contact surface) PA (Contact carrier) PA (Housing)
Insertion/withdrawal cycles	≥ 750
Degree of protection	IP20
Ambient temperature (operation)	-25 °C ... 80 °C

Connection 2

Type	Plug angled RJ45
Handle color	black
Material	CuSn (Contact) Ni/Au (Contact surface) PC (Contact carrier) PA (Housing)
Insertion/withdrawal cycles	≥ 750
Degree of protection	IP20
Ambient temperature (operation)	-25 °C ... 80 °C

Cable/line

NBC-R4AC/5,0-93K/R4ACR - Patch cable




1041700

<https://www.phoenixcontact.com/us/products/1041700>

Cable length	5.00 m
--------------	--------

Sercos III [93K]

Dimensional drawing	
Shielded	yes
UL AWM Style	21694 (60 °C / 600 V)
Cable weight	68 kg/km
Cable type	Sercos III
Cable type (abbreviation)	93K
Signal type/category	Sercos CAT5 (IEC 11801), 100 Mbps
Cable structure	1x4xAWG22/7, SF/TQ
External cable diameter	6.50 mm ±0.2 mm
Outer sheath, material	PVC
External sheath, color	signal red RAL 3020
Thickness, outer sheath	approx. 0.90 mm
Material, inner sheath	PVC
Conductor material	Tin-plated Cu litz wires
Conductor structure signal line	7x 0.25 mm
AWG signal line	22
Conductor cross section	4x 0.34 mm ²
Material wire insulation	PE
Wire diameter incl. insulation	approx. 1.55 mm
Single wire, color	white, yellow, blue, orange
Type of pair shielding	Aluminum-lined polyester foil
Overall twist	Star quad
Shielding	Tinned copper braided shield
Nominal voltage, cable	600 V
Test voltage Core/Core	2000 V (50 Hz, 1 min.)
Test voltage Core/Shield	2000.00 V (50 Hz, 1 min.)
Cable resistance	≤ 120 Ω/km
Cable insulation resistance	≥ 0.5 GΩ*km
Coupling resistance	≤ 20.00 mΩ/m (at 10 Hz)
Wave impedance	100 Ω ±15 Ω (at 100 MHz)
Signal runtime	5.3 ns/m
Minimum bending radius, fixed installation	3 x D
Minimum bending radius, flexible installation	7 x D
Resistance to oil	Resistant to oil to a limited extent

NBC-R4AC/5,0-93K/R4ACR - Patch cable



1041700

<https://www.phoenixcontact.com/us/products/1041700>

Flame resistance	according to UL 1685 (CSA FT 4)
Other resistance	UV resistant (according to UL 1581, Section 1200)
Ambient temperature (operation)	-40 °C ... 70 °C (Cable, flexible installation)
	-40 °C ... 70 °C (cable, fixed installation)

Environmental and real-life conditions

Ambient conditions

Degree of protection	IP20
	IP20

NBC-R4AC/5,0-93K/R4ACR - Patch cable

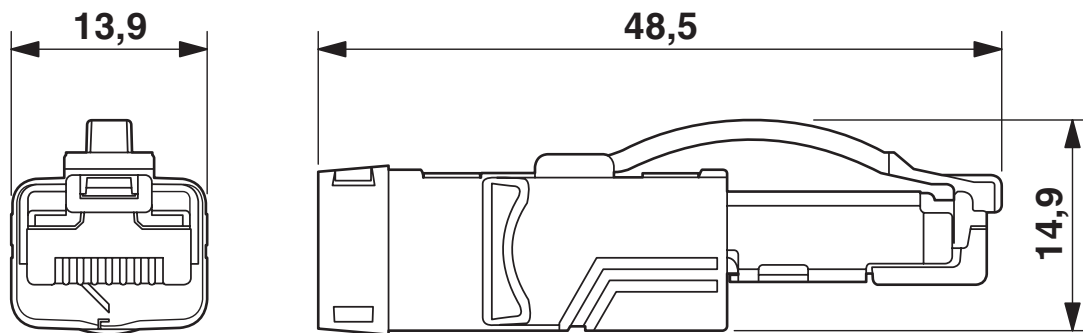


1041700

<https://www.phoenixcontact.com/us/products/1041700>

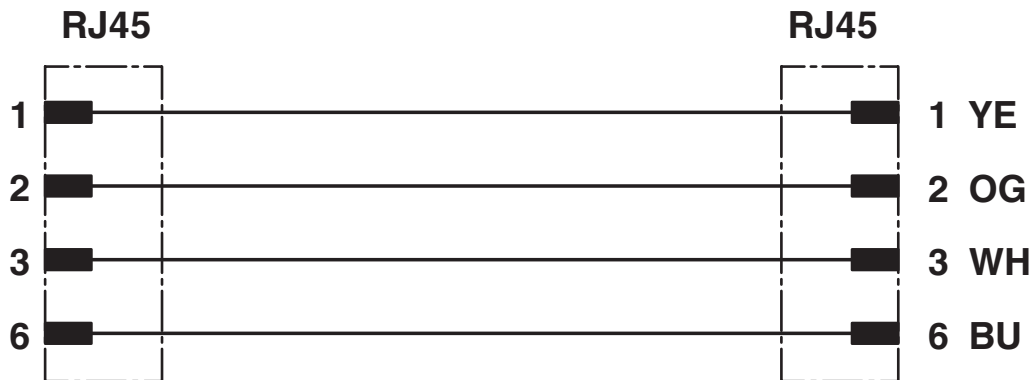
Drawings

Dimensional drawing



RJ45 connector, IP20

Circuit diagram



NBC-R4AC/5,0-93K/R4ACR - Patch cable



1041700

<https://www.phoenixcontact.com/us/products/1041700>

Classifications

ECLASS

ECLASS-13.0

27060307

ETIM

ETIM 9.0

EC002599

UNSPSC

UNSPSC 21.0

26121600

NBC-R4AC/5,0-93K/R4ACR - Patch cable



1041700

<https://www.phoenixcontact.com/us/products/1041700>

Environmental product compliance

EU RoHS

Fulfills EU RoHS substance requirements	Yes, No exemptions
---	--------------------

China RoHS

Environment friendly use period (EFUP)	EFUP-E
	No hazardous substances above the limits

EU REACH SVHC

REACH candidate substance (CAS No.)	No substance above 0.1 wt%
-------------------------------------	----------------------------

Phoenix Contact 2025 © - all rights reserved
<https://www.phoenixcontact.com>

Phoenix Contact USA
586 Fulling Mill Road
Middletown, PA 17057, United States
(+717) 944-1300
info@phoenixcon.com