

Series 15700 - RTA

Rear terminal ATC fuse panel

The Rear Terminal ATC® Fuse Panel (RTA) is a rear-fed panel with high component retention, which makes it an ideal choice for high vibration environments including construction, agriculture, bus, recreational vehicles, heavy trucking equipment, etc. It is available in multiple lengths and internal bussing configurations. This allows for up to four separate power input circuits and 32 individual output circuits.



Specifications

- **Input terminal rating:** 1/4-20 stud; quick-connect terminals provided on middle bus (Series 15713 & 714); 200A max total input for unit
- **Output terminal rating:** 30A max load per circuit
- **Temperature rating:** -40°F (-40°C) to 260°F (125°C)
- **Materials:** UL 94 V-0 thermoplastic

Termination:

- 12020321 (16/14 AWG)
12020400 (12/10 AWG)
- Aptiv Pack-Con® Series 3 & 5
- **Input wire size:** #4-6 AWG
- **Output wire size:** #10-16 AWG
- **Torque Rating:** 50 in-lbs max
- **Mounting torque rating:** #10-32 threaded inserts, 24 in-lbs max torque

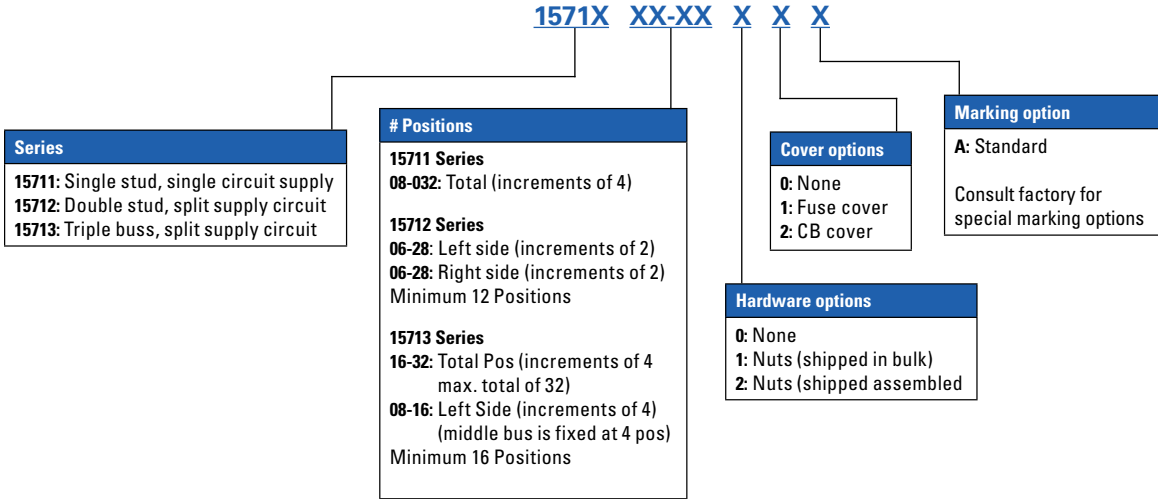
Note:

- Consult Aptiv distribution for availability
- For Series 15712 and 15713 there is a maximum total of 32 positions and must be in increments of 4.

Options

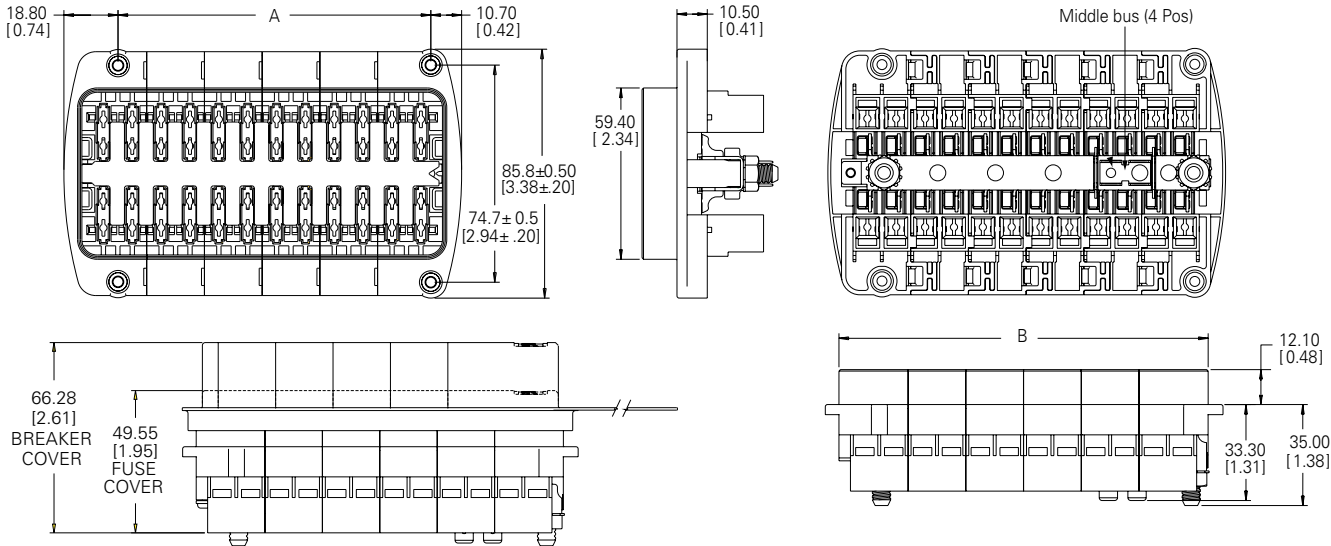
- **Positions:** 8-32 circuits available
- **Split power:** Single, dual, triple or quadruple bus options
- **Cover:** Short cover for fuses only and taller cover for use with circuit breakers
- **Locks:** Secondary locs available for securing of output terminals (#15710-TP - comes in multiples of 8 positions. Must order multiple strips to cover length of selected RTA).

Ordering information



- 15711 - Minimum 8 Positions
- 15712 - Minimum 12 Positions
- 15713 - Minimum 16 Positions

Dimensions in inches (mm)



	Dim 'A' value	Dim 'B' value
8 POLE	28.0	47.5
12 POLE	48.0	67.0
16 POLE	67.8	87.0
20 POLE	87.5	107.0
24 POLE	107.0	126.5
28 POLE	127.0	146.5
32 POLE	147.0	166.5