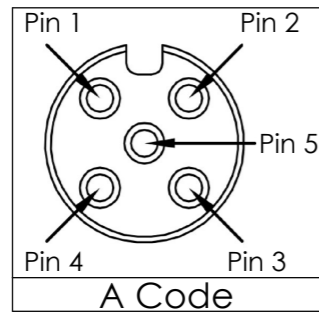
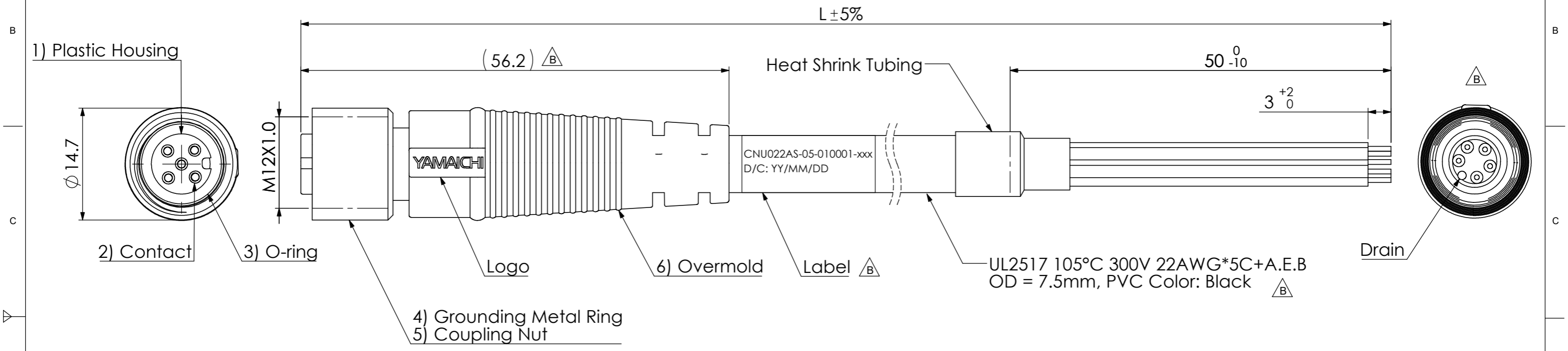


**CONFIDENTIAL**

REVISION DESCRIPTION		APP.	DRW.	DATE	CHANGE No.
△ X 4	CAD, Dimension, Note, Label	TN	AKM	12/4/24	24-078
△ X					
△ X					



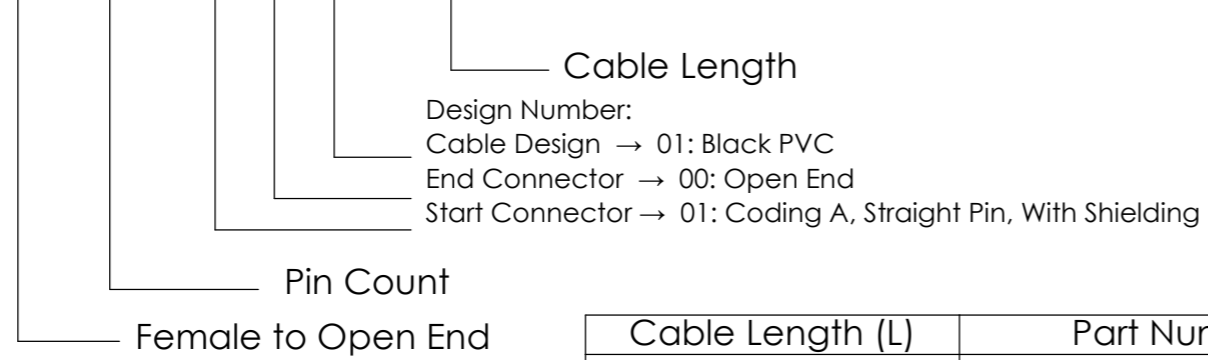
	Wire Color
Pin 1	Brown
Pin 2	White
Pin 3	Blue
Pin 4	Black
Pin 5	Gray



START CONNECTOR

END CONNECTOR

Configuration of Part Number:  
**CNU022AS - 05 - 010001 - xxx**



Cable Length (L)	Part Number
0.5m	CNU022AS-05-010001-005
1m	CNU022AS-05-010001-010
2m	CNU022AS-05-010001-020
5m	CNU022AS-05-010001-050
10m	CNU022AS-05-010001-100

**Notes:**

- Material
  - Plastic Housing: PBT, UL94V-0
  - Contacts: Copper Alloy
  - O-Ring: EPDM Rubber
  - Grounding Metal Ring: Brass
  - Coupling Nut: Brass
  - Overmold: PVC, Color Black
- Finish
  - Contacts: Gold Plating over Nickel
  - Grounding Metal Ring: Nickel plating
  - Coupling Nut: Nickel Plating
- Electrical Specification:
  - Rated Current: 4A (2 to 5 PIN)
  - Rated Voltage: 60V AC/DC (5 PIN)
  - Insulation Resistance: 100 Megaohm min.
  - Waterproof: IP67

Tolerances ±0.30 unless otherwise specified. ( ) Reference value								
CLASS M12 Connector Series						Part # CNU022AS-05-010001-xxx		
SCALE 2:1	APP.	APP.	CHK.	DRW.	DSGN.	DRW No. YEU-A5165		
DIMENSION mm		9/11/24	9/10/24	08/07/24	08/07/24	Sheet No. 1/1		
ANGLE PROJ 3rd		Takeshi Nishimura	T Sasaki	A Klyce-Mariscal	A Klyce-Mariscal	REV. B		