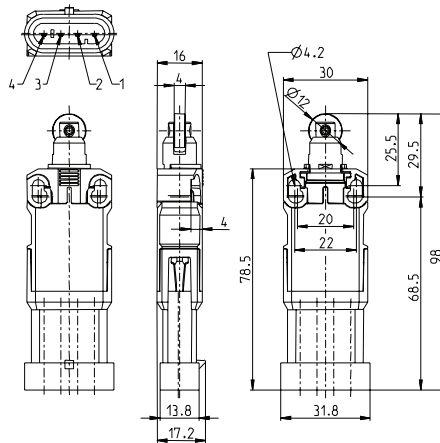
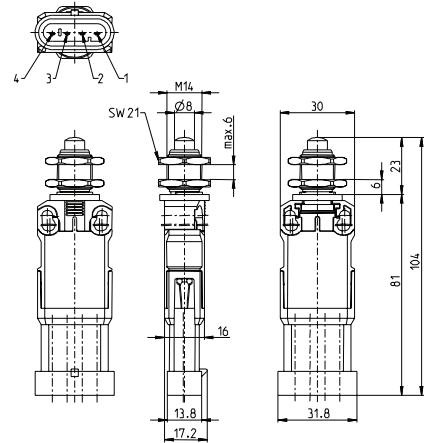


IF Series

RIW AMP4



IWF AMP4



Switching Operation	Slow Action	Snap Action	Slow Action	Snap Action
1 NC / 1 NO Contacts	608.9117.017 IF-U1Z RIW AMP4 	608.9167.022 IF-SU1Z RIW AMP4 	608.9102.019 IF-U1Z IWF AMP4 	608.9152.024 IF-SU1Z IWF AMP4
2 NC Contacts	608.9817.027 IF-A2Z RIW AMP4 	-	608.9802.029 IF-A2Z IWF AMP4 	-
2 NO Contacts	-	-	-	-
1 NC / 1 NO Contacts Overlapping	-	-	-	-

Technical Information

	Slow Action	Snap Action	Slow Action	Snap Action
Maximum Switching Voltage	240V	240V	240V	240V
Maximum Switching Amperage	10A	10A	10A	10A
B10d	6 Million	6 Million	6 Million	6 Million
Mechanical Service Life	3 x 10 ⁶	3 x 10 ⁶	3 x 10 ⁶	3 x 10 ⁶
Switching Frequency	≤ 30/min	≤ 30/min	≤ 30/min	≤ 30/min
Operating Temperature	-30 °C to +80 °C	-30 °C to +80 °C	-30 °C to +80 °C	-30 °C to +80 °C
Protection Rating	IP67	IP67	IP67	IP67
Utilization Category	AC-15, Ue/Ue 240V 3A	AC-15, Ue/Ue 240V 3A	AC-15, Ue/Ue 240V 3A	AC-15, Ue/Ue 240V 3A
Rate Insulation Voltage	240VAC	240VAC	240VAC	240VAC

Approvals



Special features/variants

- Actuator can be turned in steps of 90°

Special features/variants

- Front mounting
- With roller over switch

Drawing dimensions in mm