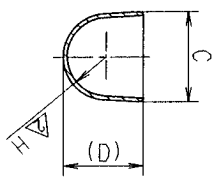
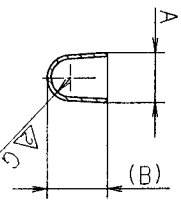
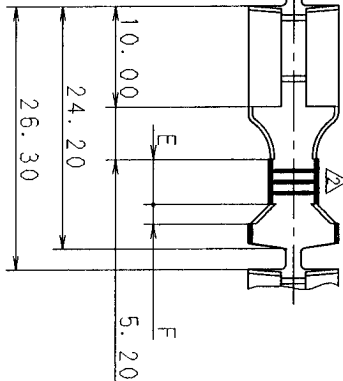
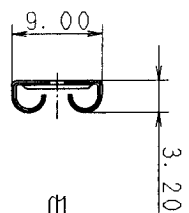
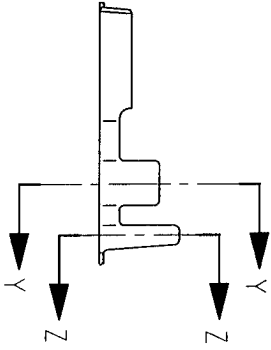


YAZAKI PART NO.	A	(B)	C	(D)	E	F	△G	△H	MATERIAL	REMARK
7116-3190	3.70	3.39	5.50	4.71	4.00	2.50	R1.40	R1.60	C2600R t=0.40	AV 0.5~2
7116-3190-02	3.70	3.39	5.50	4.71	4.00	2.50	R1.40	R1.60	C2600R t=0.40 TIN PLATE	AV 0.5~2
△(7B16-3190-02)	5.00	6.00	9.00	7.97	4.50	2.00	R1.90	R3.90	C2600R t=0.40	AV 3~5
7116-3191	5.00	6.00	9.00	7.97	4.50	2.00	R1.90	R3.90	C2600R t=0.40 TIN PLATE	AV 3~5
7116-3191-02	5.00	6.00	9.00	7.97	4.50	2.00	R1.90	R3.90	C2600R t=0.40 TIN PLATE	AV 3~5
7116-3192-02	3.70	3.39	5.50	4.71	4.00	2.50	R1.40	R1.60	C5210R t=0.40 TIN PLATE	AV 0.5~2
7116-3193-02	5.00	6.00	9.00	7.97	4.50	2.00	R1.90	R3.90	C5210R t=0.40 TIN PLATE	AV 3~5



SEC. Z-Z



- 7116-3190
- 7116-3190-02
- △(7B16-3190-02)
- 7116-3191
- 7116-3191-02
- 7116-3192-02
- 7116-3193-02

注記
 1) 嵌合相手品番: 7114-3190, 7114-3191
 2) A/B品番中, A/B回線及び, 特別管理回線に使用すること。

NOTES
 1) MATING PART NO.: 7114-3190, 7114-3191
 2) A/B PART NO. IS USED FOR PART THAT IS UNDER SPECIAL SUPERVISION AND A/B SYSTEM.

△	98.02.20	CORRECTION OF A CLERICAL ERROR	C98-L341	I. I	CUSTOMER	CUSTOMER PART NO.	CUSTOMER DWG NO.	MATL. SPEC.	SEE TABLE	TREAT. & FIN.	ISSUE MARK	
△	96.08.19	CHANGED FORM & ADDED A/B PART NO.	C96-M621	M. T	YAZAKI							
△	93.04.23	RENEW	C93-L478	I. I	YAZAKI							
LET	DATE	REVISION RECORD	NO.	CHKD	OFFICE	TRIAL PART NO.						
GENERAL TOLERANCE												
10MAX	50MAX	100MAX	250MAX	2500YR	ANGLE	ECCENT	DWG TYPE	DWG SOURCE	DWG DATE	UNIT	SCL	ANGLE
A	±0.15	±0.2	±0.3	±0.5	±0.75	±30'	R	NEW	93.04.23	mm	2/1	3
B	±0.2	±0.3	±0.55	±0.95	±1.4	±30'	APPROVED	CHECKED	CHECKED	DESIGN	DRAWN	
C	±0.3	±0.5	±0.8	±1.4	±2	±30'	加藤 明雄	伊藤 今夫	今夫	TAKENO	IMAI	
SPECIFIED												
					MASS		98.3.3	98.03.03	98.03.03	80.01.11	98.02.20	
YAZAKI CORPORATION												

1 2 3