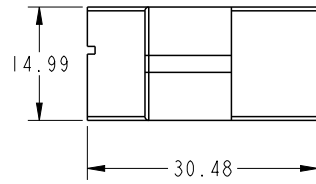
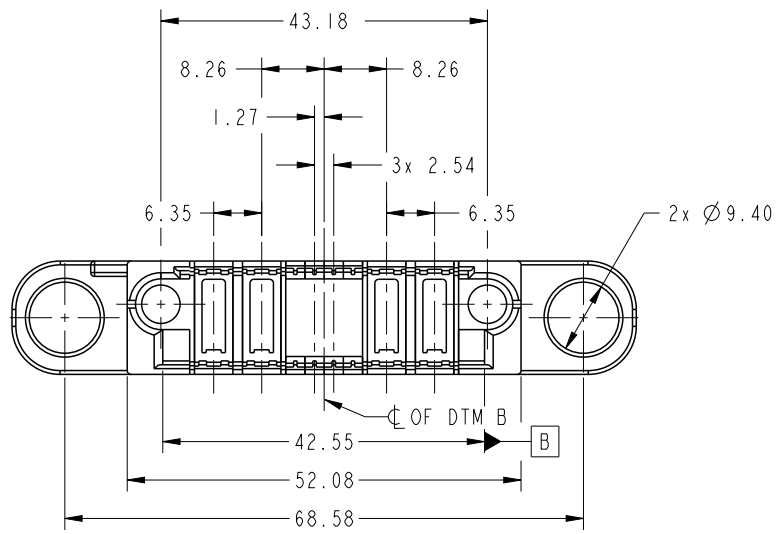
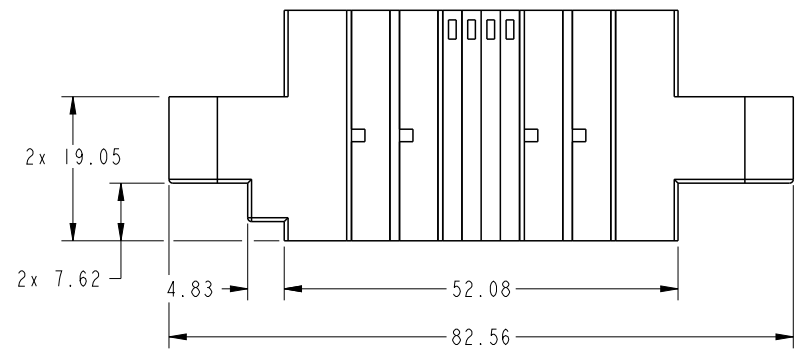
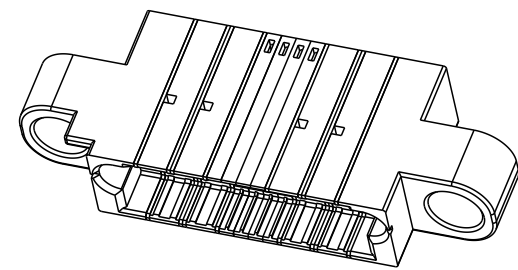


PART NUMBER	ROW	E	POWER		SIG			POWER		E
			P1	P2	1	2	3	P4	P5	
10097404-DGC082LF	D		PC	PC	S	S	S	PC	PC	
	C				S	S	S			
	B				S	S	S			
	A				S	S	S			



CONTACT TABLE	
CODE	DESCRIPTION
PC	POWER CONTACT
S	STANDARD SIGNAL CONTACT

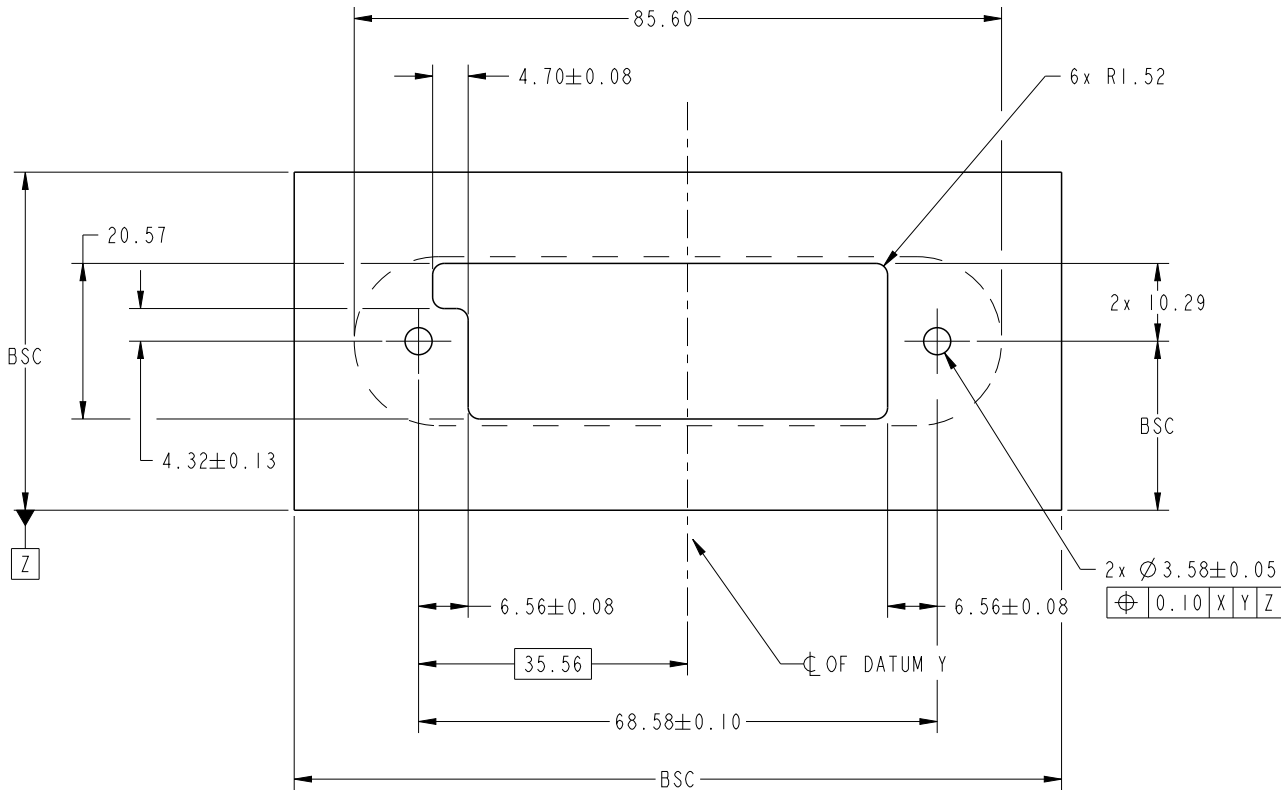
spec ref	See Notes	dr	Luo Weller	2015/04/21	projection 	MM 	size	A4	scale	1:1										
tolerance std	TOLERANCES UNLESS OTHERWISE SPECIFIED	eng	Luo Weller	2015/07/20			ecn no	-												
See Notes		chr	-	-			rel level	Released												
surface	<table border="1"> <tr> <td>linear</td> <td>0.X</td> <td>±0.50</td> </tr> <tr> <td></td> <td>0.XX</td> <td>±0.25</td> </tr> <tr> <td></td> <td>0.XXX</td> <td>±0.10</td> </tr> <tr> <td>angular</td> <td>0°</td> <td>±2°</td> </tr> </table>	linear	0.X	±0.50		0.XX	±0.25		0.XXX	±0.10	angular	0°	±2°	appr	Pei-Ming Zheng	2015/07/20	product family	PWRBLADE	rev	A
linear	0.X	±0.50																		
	0.XX	±0.25																		
	0.XXX	±0.10																		
angular	0°	±2°																		
				title 2P + 16S + 2P HEADER HSG PMT WITH GUIDE SYSTEM		dwg no 10097404-DGC082LF		cat. no. -		Product - Customer Drw	sheet 1 of 2									



Copyright FCI.

PART NUMBER

10097404-DGC082LF



NOTE:

1. DIMENSIONS AND TOLERANCES ARE IN ACCORDANCE WITH ASME Y14.5M, 1994 UNLESS OTHERWISE SPECIFIED.
2. MATERIAL: HIGH TEMPERATURE THERMOPLASTIC UL94 V-0.
3. BULKHEAD THICKNESS RANGE: 0.79 - 2.54.
4. APPLICABLE COMPONENTS:
 POWER CRIMP CONTACT: 10134849-***LF.
 CONTACT SECONDARY LOCK: 10073097-DGC004LF.
 SIGNAL CONTACT: 76808-DGC***LF.
 SIGNAL CONTACT IMLA: 10097392-DGC001LF (USAGE OF IMLA : SIGNAL PIN=1:4).
 LATCH: 10066441-DGC001LF (FOR STR VERSION).
5. PRODUCT SPEC: GS-12-474.
6. APPLICATION SPEC: GS-20-0445.

RECOMMENDED BULKHEAD LAYOUT

dr	Luo Weller	2015/04/21	projection 	MM 	size	A4	scale	1:1
eng	Luo Weller	2015/07/20			ecn no	-		
chr	-	-			rel level	Released		
appr	Pei-Ming Zheng	2015/07/20	product family	PWRBLADE	rev	A		
		title	2P + 16S + 2P HEADER HSG PMT WITH GUIDE SYSTEM		dwg no	10097404-DGC082LF	sheet 2 of 2	
www.fci.com		cat. no.	-	Product - Customer Drw	sheet 2 of 2			