

EV-T2SOOCR-PC - Protective cover



1347426

<https://www.phoenixcontact.com/us/products/1347426>

Please be informed that the data shown in this PDF document is generated from our online catalog. Please find the complete data in the user documentation. Our general terms of use for downloads are valid.



CHARX connect modular, Type 2, Protective cover, Accessories, Premium, circular, Front mounting, M5 thread, with self-locking mechanism, with LED (common cathode connection), for attaching to infrastructure charging sockets, Embossed PHOENIX CONTACT logo, IEC 62196-2

Product description

Self-closing protective cover for infrastructure charging socket

Your advantages

- Developed and produced in accordance with the IATF 16949 automotive standard and ISO 9001
- Individual branding, thanks to the use your own logo
- Reliable protection of your socket outlet from weather and vandalism

Commercial data

Item number	1347426
Packing unit	1 pc
Minimum order quantity	1 pc
Sales key	EM01
Product key	XWBFLC
GTIN	4063151661199
Weight per piece (including packing)	151 g
Weight per piece (excluding packing)	227.8 g
Customs tariff number	39269097
Country of origin	DE

EV-T2SOCR-PC - Protective cover



1347426

<https://www.phoenixcontact.com/us/products/1347426>

Technical data

Product properties

Product type	Protective cover for Socket Outlet
Product family	CHARX connect modular
Application	for attaching to infrastructure charging sockets
Type	circular
Design	with self-locking mechanism with LED (common cathode connection)
Compatibility	compatible with shutter, see accessories
Charging standard	Type 2
Charging mode	Mode 3, Case B
Affixed logo	Embossed PHOENIX CONTACT logo
Customer variations	On request

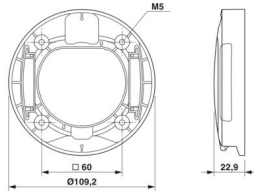
Electrical properties

LED function

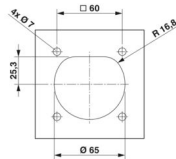
Application	to display the charging status
Position	in the frame of the protective cover
Connection type	common cathode

Dimensions

Protective cover

Dimensional drawing	
Depth	22.9 mm
Diameter	109.2 mm

Bore dimensions

Dimensional drawing	
Width	60 mm
Height	60 mm

EV-T2SO CR-PC - Protective cover



1347426

<https://www.phoenixcontact.com/us/products/1347426>

Material specifications

Color (Protective cover)	black (9005)
Material (Protective cover)	Plastic

Mechanical properties

Type of cover movement	Self-locking
------------------------	--------------

Environmental and real-life conditions

Ambient conditions

Degree of protection (Protective cover)	IP54
	IK08
Ambient temperature (operation)	-30 °C ... 50 °C
Ambient temperature (storage/transport)	-40 °C ... 80 °C
Altitude	5000 m (above sea level)

Standards and regulations

Standards

Standards/regulations	IEC 62196-2
-----------------------	-------------

Mounting

Mounting type Protective cover	Front mounting (rear screw connection)
Fixing screws	M5 thread

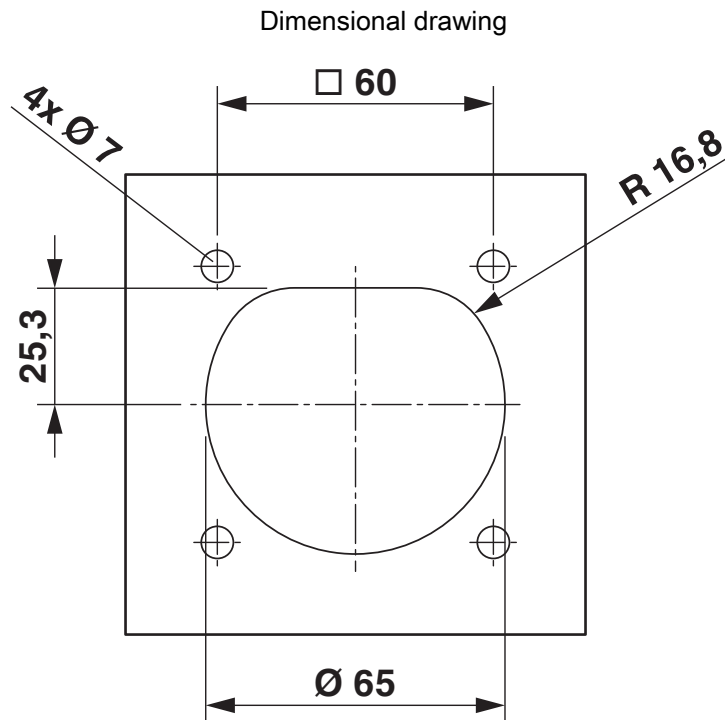
EV-T2SOOCR-PC - Protective cover

1347426

<https://www.phoenixcontact.com/us/products/1347426>



Drawings

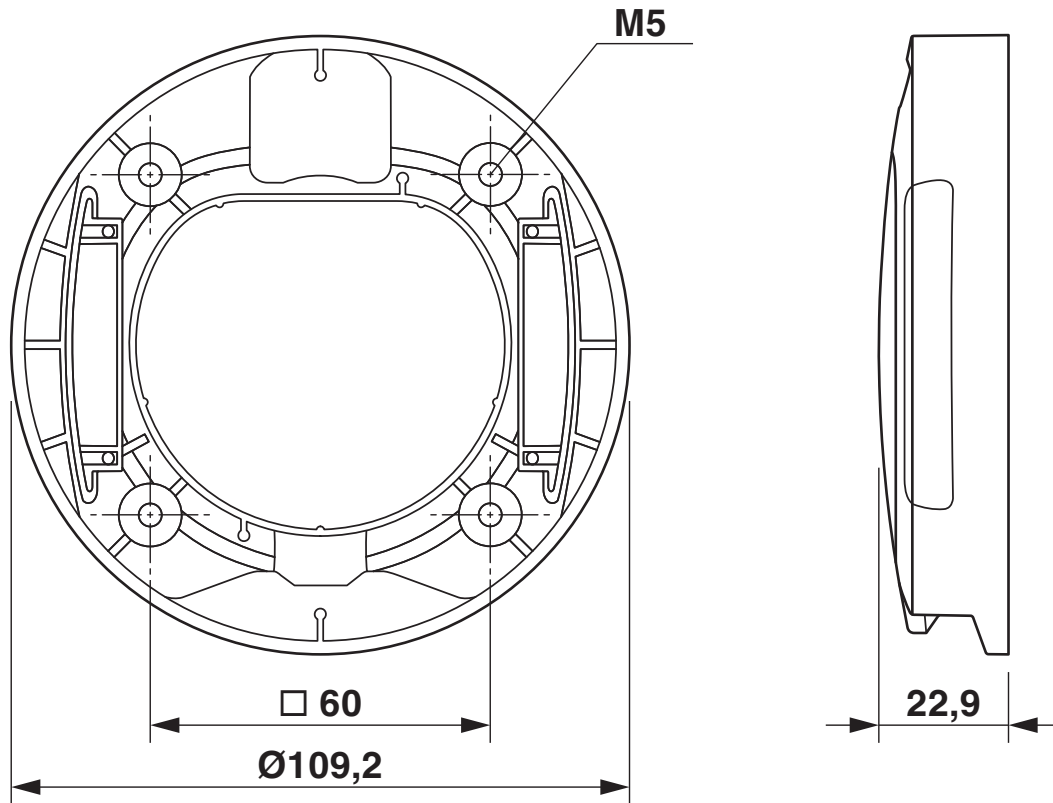


EV-T2SOCR-PC - Protective cover

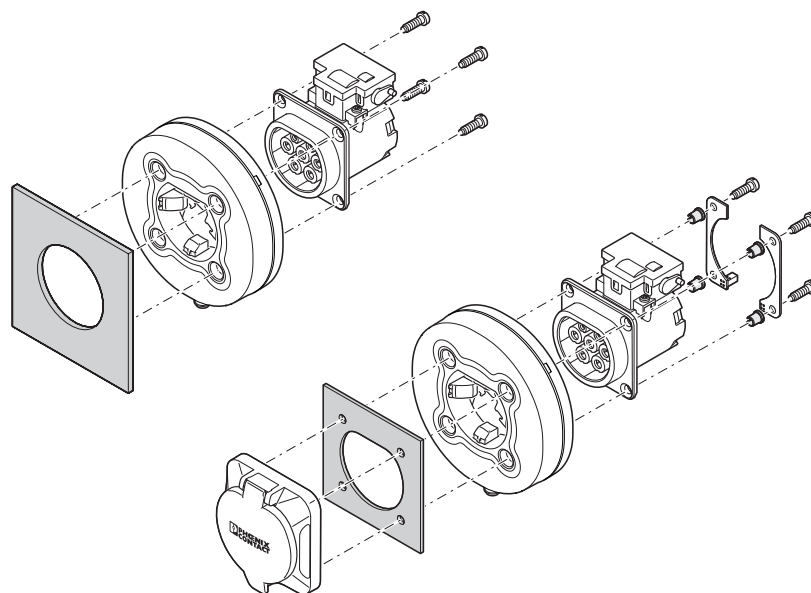
1347426

<https://www.phoenixcontact.com/us/products/1347426>

Dimensional drawing



Exploded view



Rear mounting

EV-T2SOQR-PC - Protective cover



1347426

<https://www.phoenixcontact.com/us/products/1347426>

Classifications

ECLASS

ECLASS-13.0	27144792
ECLASS-15.0	27144792

ETIM

ETIM 9.0	EC002884
----------	----------

UNSPSC

UNSPSC 21.0	39121500
-------------	----------

EV-T2SOOCR-PC - Protective cover



1347426

<https://www.phoenixcontact.com/us/products/1347426>

Environmental product compliance

EU RoHS

Fulfills EU RoHS substance requirements	Not applicable, No electrical and electronic equipment (EEE), cannot be used in EEE
---	---

EU REACH SVHC

REACH candidate substance (CAS No.)	Lead(CAS: 7439-92-1)
SCIP	84e23ee2-d973-4a4f-9f4d-2188a5939c60

EV-T2SOCR-PC - Protective cover

1347426

<https://www.phoenixcontact.com/us/products/1347426>



Accessories

EV-T2M3SO12-3P-B - Infrastructure charging socket

1164309

<https://www.phoenixcontact.com/us/products/1164309>



CHARX connect modular, Type 2, Infrastructure charging socket, 32 A , 480 V AC, Basic, without single-core wires, locking actuator: 12 V, 3-pos., square, Rear panel mounting, M5 thread, housing: black, for charging electric vehicles (EV) with alternating current (AC), PHOENIX CONTACT logo, IEC 62196-2

EV-T2M3SO12-4P-B - Infrastructure charging socket

1164300

<https://www.phoenixcontact.com/us/products/1164300>



CHARX connect modular, Type 2, Infrastructure charging socket, 32 A , 480 V AC, Basic, without single-core wires, locking actuator: 12 V, 4-pos., square, Rear panel mounting, M5 thread, housing: black, for charging electric vehicles (EV) with alternating current (AC), PHOENIX CONTACT logo, IEC 62196-2

EV-T2SOCR-PC - Protective cover

1347426

<https://www.phoenixcontact.com/us/products/1347426>



EV-T2M3SO12-3P-P - Infrastructure charging socket

1164307

<https://www.phoenixcontact.com/us/products/1164307>



CHARX connect modular, Type 2, Infrastructure charging socket, 32 A , 480 V AC, Premium, without single-core wires, locking actuator: 12 V, 3-pos., square, Rear panel mounting, M5 thread, housing: black, with temperature sensors, with LED (common cathode connection), for charging electric vehicles (EV) with alternating current (AC), PHOENIX CONTACT logo, IEC 61851-1, IEC 62196-2

EV-T2M3SO12-4P-P - Infrastructure charging socket

1164299

<https://www.phoenixcontact.com/us/products/1164299>



CHARX connect modular, Type 2, Infrastructure charging socket, 32 A , 480 V AC, Premium, without single-core wires, locking actuator: 12 V, 4-pos., square, Rear panel mounting, M5 thread, housing: black, with temperature sensors, with LED (common cathode connection), for charging electric vehicles (EV) with alternating current (AC), PHOENIX CONTACT logo, IEC 62196-2

EV-T2SOQR-PC - Protective cover

1347426

<https://www.phoenixcontact.com/us/products/1347426>



EV-T2M3SOS - Shutter for infrastructure charging socket

1200676

<https://www.phoenixcontact.com/us/products/1200676>



CHARX connect modular, Type 2, Shutter for infrastructure charging socket, Accessories, circular, Rear mounting, M5 thread, with self-locking mechanism, for attaching to infrastructure charging sockets, Without logo, IEC 61851-1, IEC 62196-1, Compatible protective covers can be found under Accessories.

Phoenix Contact 2025 © - all rights reserved

<https://www.phoenixcontact.com>

Phoenix Contact USA
586 Fulling Mill Road
Middletown, PA 17057, United States
(+717) 944-1300
info@phoenixcon.com