

Customer Information Sheet

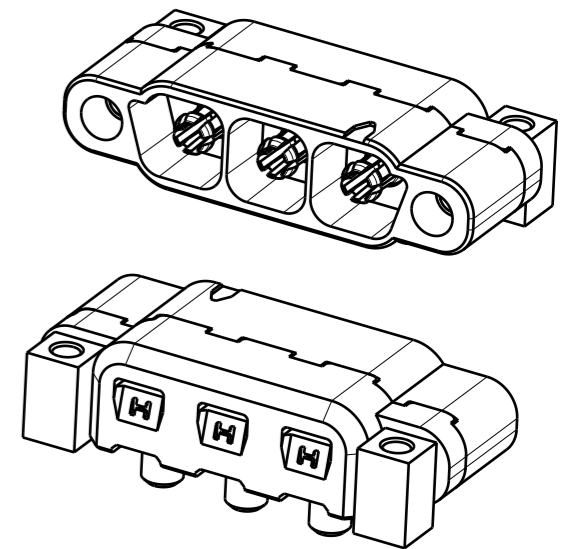
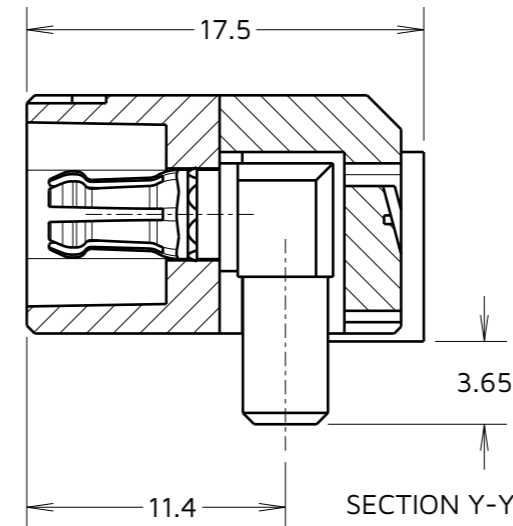
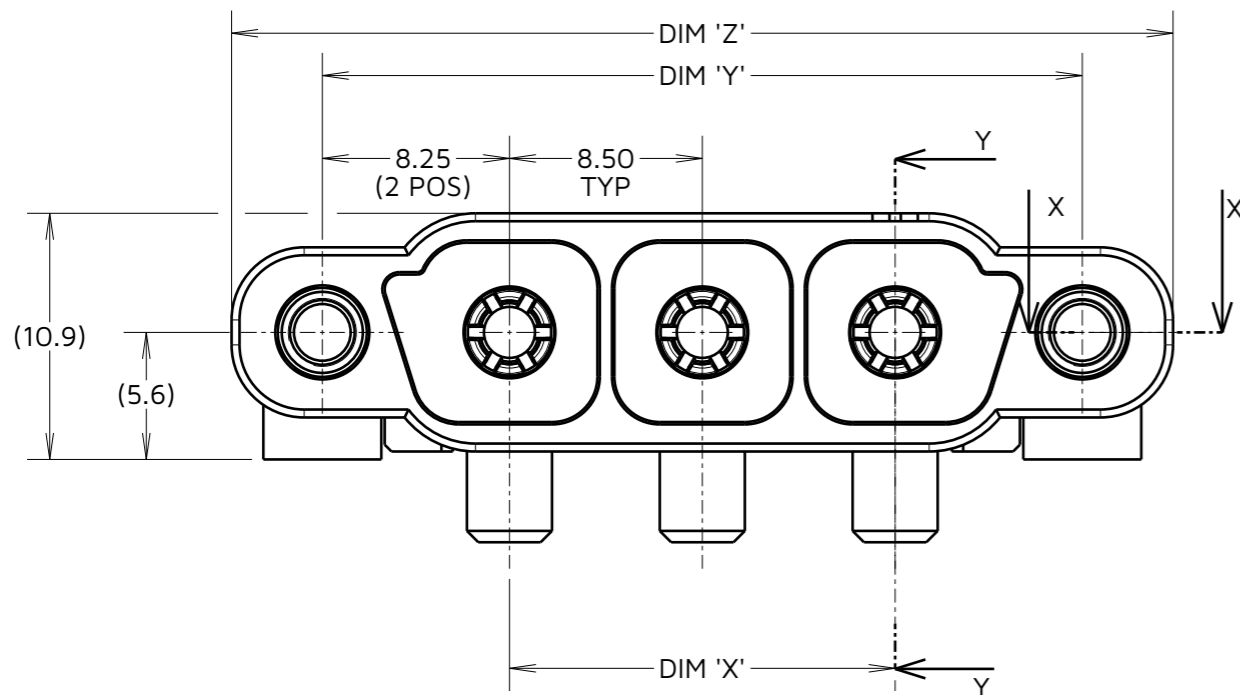
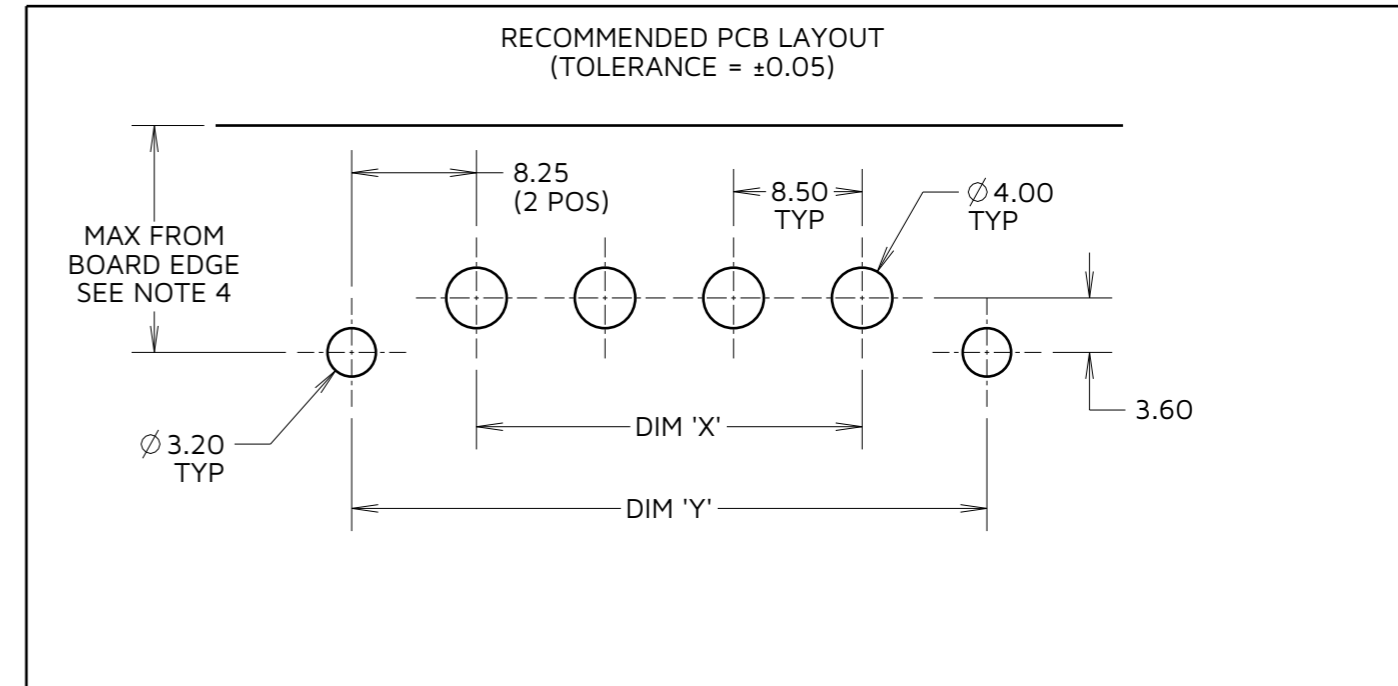
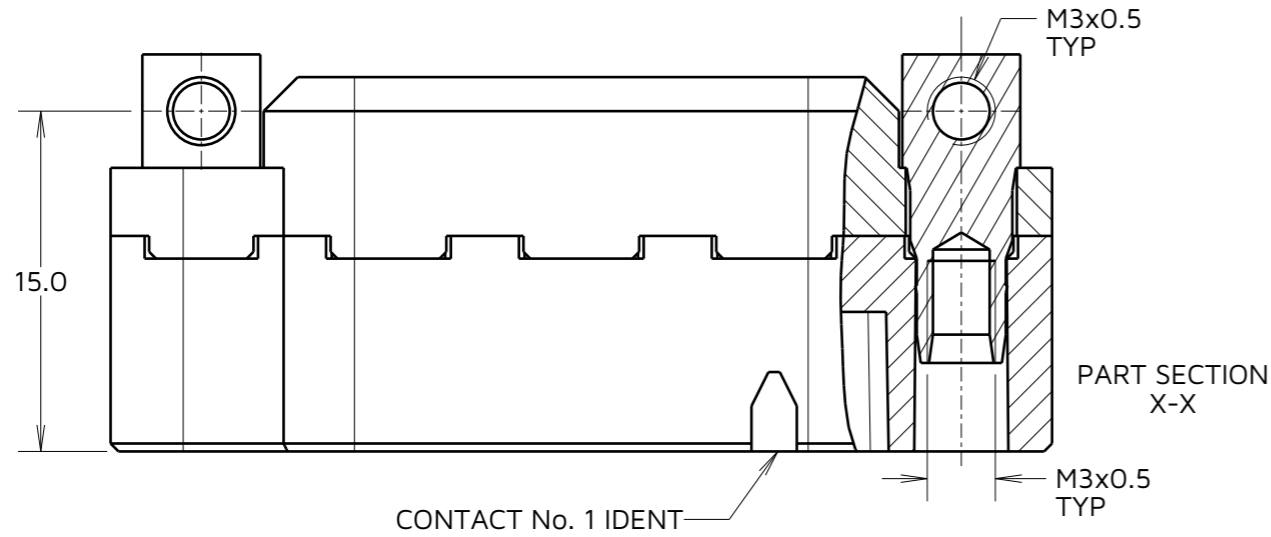
IF IN DOUBT - ASK



NOT TO SCALE

THIRD ANGLE PROJECTION

ALL DIMENSIONS IN mm



- NOTES:
- FOR CONNECTOR SPECIFICATIONS SEE C052XX (LATEST ISSUE).
 - FOR BOARD MOUNT SCREWS ORDER SEPERATELY. PART NUMBER: KA1-4200000 HEX SCREW
 - PACKING = TUBE.
 - MAX DISTANCE OF HARDWARE TO BOARD EDGE WHEN MATED WITH:
 - UNSHIELDED CABLE: 15.00mm
 - KA1-MH10305M3 SHOWN FOR ILLUSTRATION PURPOSES ONLY

ASSEMBLY PART No.	DIM X	DIM Y	DIM Z
KA1-MH10205M3	8.50	25.00	33.00
KA1-MH10305M3	17.00	33.50	41.50
KA1-MH10405M3	25.50	42.00	50.00

ORDER CODE:
KA1-MH1XX05M3

TOTAL No. OF CONTACTS:

02, 03, 04

AY	3	08.07.25	36190
NAME	ISS.	DATE	CN/CO
APPROVED: A.YEOMANS			
CHECKED: R.PORTLOCK			
DRAWN: M.RUDKIN			

HARWIN

www.harwin.com

TOLERANCES
 X. = ±1mm
 X.X = ±0.50mm
 X.XX = ±0.20mm
 X.XXX = ±0.01mm
 ANGLES = ±5°
 UNLESS STATED

THIS DRAWING AND ANY INFORMATION OR DESCRIPTIVE MATTER SET OUT HEREON ARE CONFIDENTIAL AND COPYRIGHT PROPERTY OF THE HARWIN GROUP AND MUST NOT BE DISCLOSED, LOANED, COPIED OR USED FOR MANUFACTURING, TENDERING OR FOR ANY OTHER PURPOSE WITHOUT THEIR WRITTEN PERMISSION.

MATERIAL & FINISH:
 SEE ABOVE

TITLE:
**KONA SERIES - MALE
 RIGHT ANGLE PCT CONNECTOR**

DRAWING NUMBER:
KA1-MH1XX05M3