

Customer Information Sheet

IF IN DOUBT - ASK

©

NOT TO SCALE

THIRD ANGLE PROJECTION

ALL DIMENSIONS IN mm

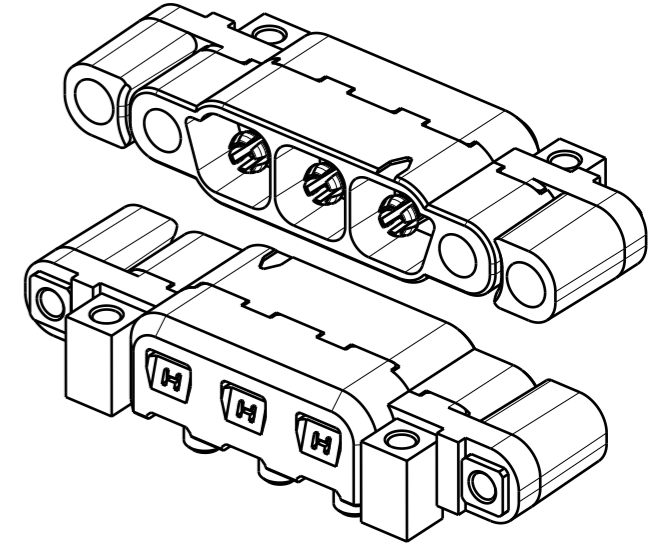
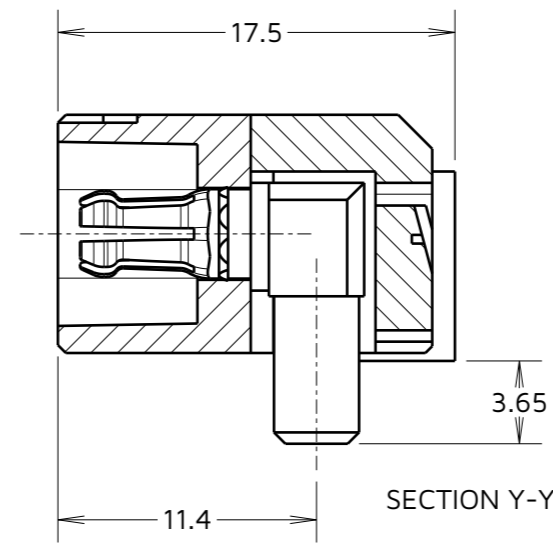
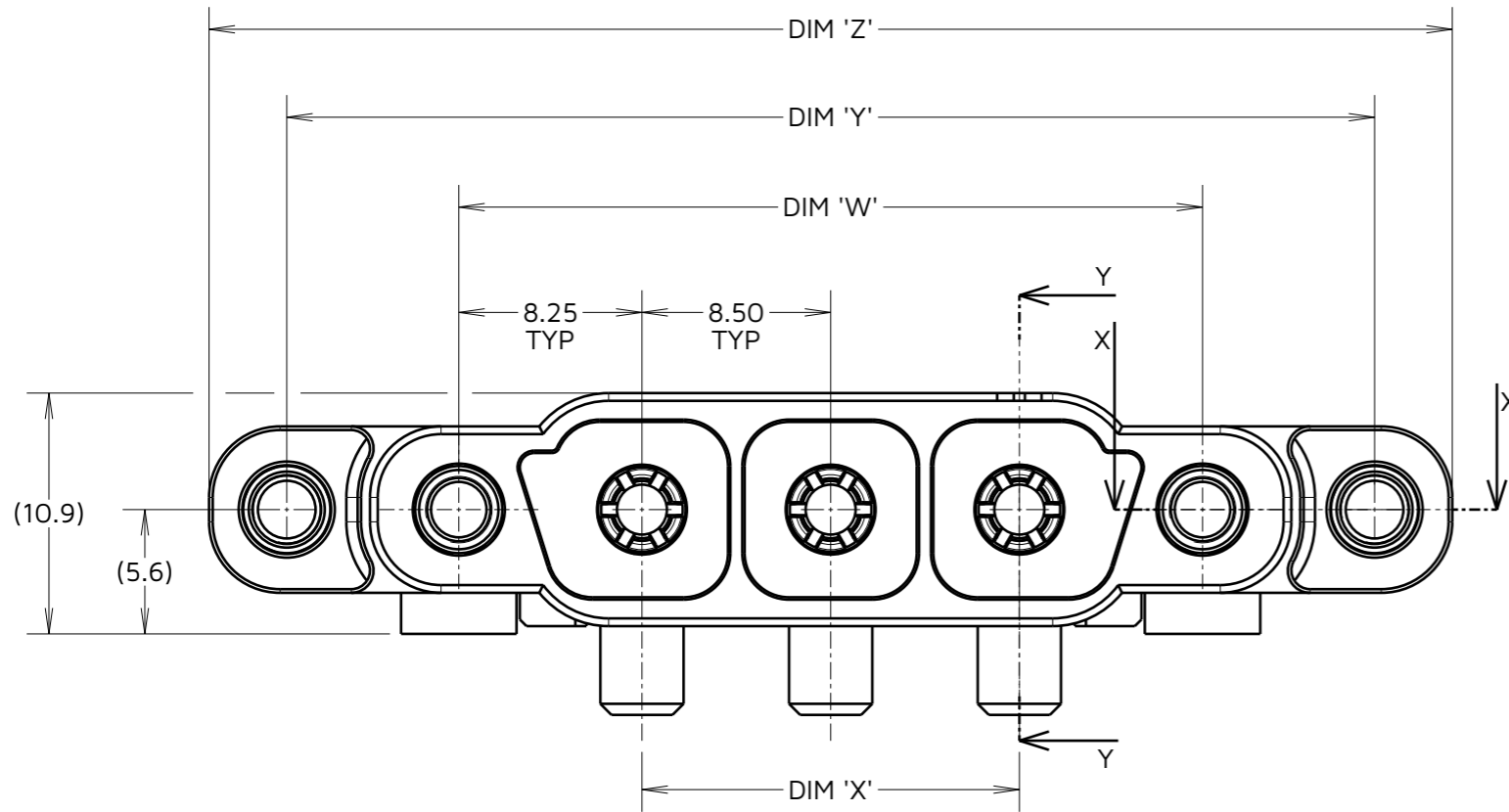
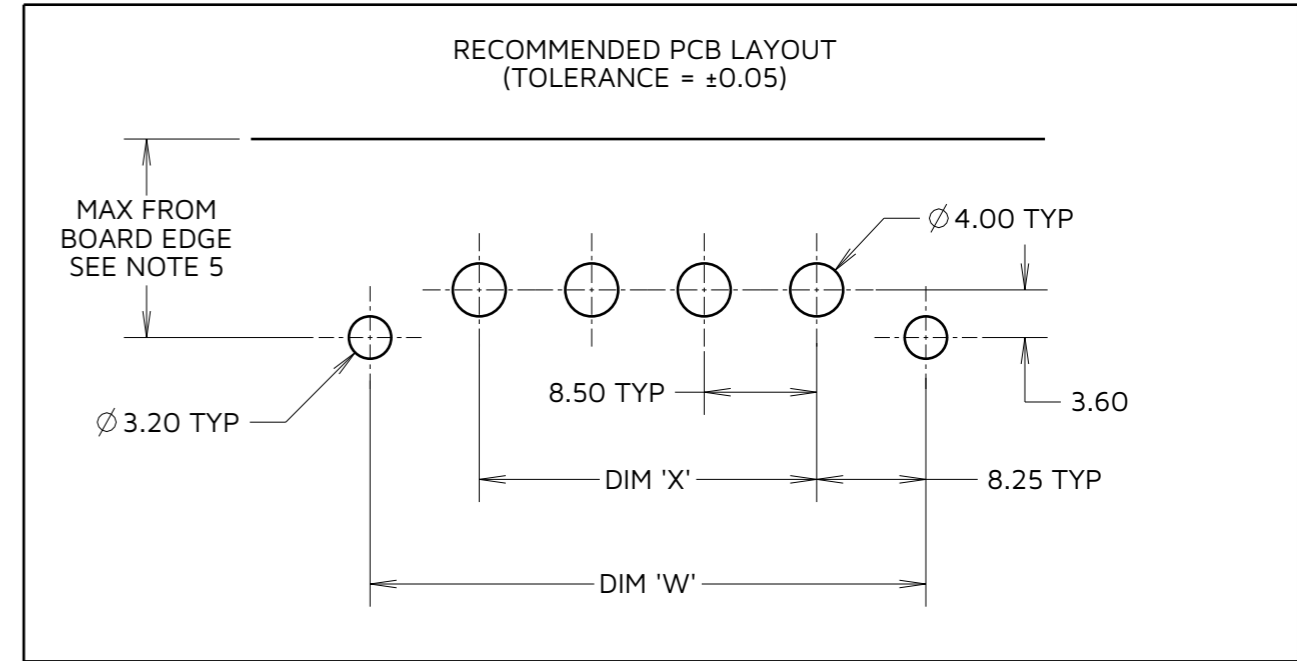
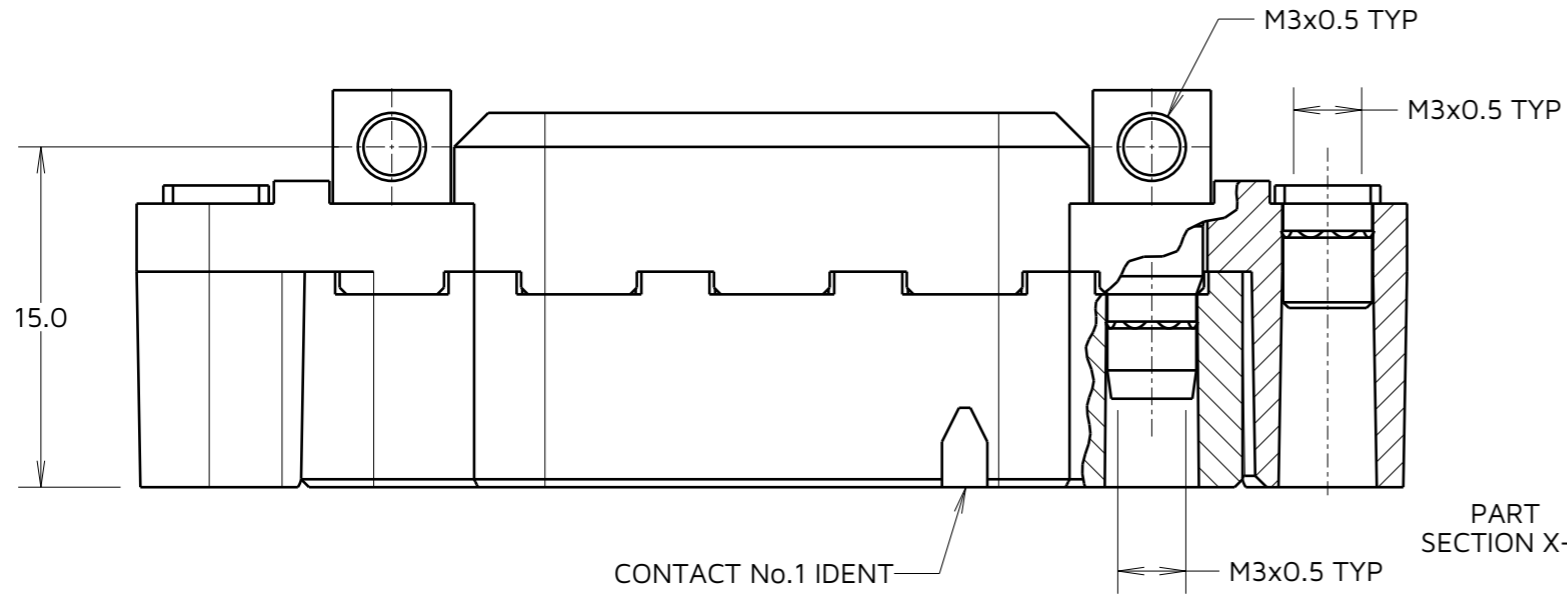


TABLE 1: DIMENSION VARIANTS

ASSEMBLY PART No.	DIM W	DIM X	DIM Y	DIM Z
KA1-MH10205M4	25.00	8.50	40.50	47.50
KA1-MH10305M4	33.50	17.00	49.00	56.00
KA1-MH10405M4	42.00	25.50	57.50	64.50

ORDER CODE:
KA1-MH1XX05M4

TOTAL No. OF CONTACTS
 02, 03, 04

AY	3	08.07.25	36190
NAME	ISS.	DATE	CN/CO
APPROVED: A.YEOMANS			
CHECKED: R.PORTLOCK			
DRAWN: M.RUDKIN			

- NOTES:
- FOR CONNECTOR SPECIFICATIONS SEE C052XX (LATEST ISSUE).
 - FOR BOARD MOUNT SCREWS ORDER SEPERATELY. PART NUMBER: KA1-4200000 HEX SCREW
 - PACKING = TUBE.
 - SEE SHEET 4 FOR RECOMMENDED PANEL LAYOUT.
 - MAX DISTANCE OF HARDWARE TO BOARD EDGE WHEN MATED WITH:
 - UNSHIELDED CABLE: 15.00mm
 - KA1-MH10305M4 SHOWN FOR ILLUSTRATION PURPOSES ONLY

HARWIN

www.harwin.com

TOLERANCES
 X. = ±1mm
 X.X = ±0.50mm
 X.XX = ±0.20mm
 X.XXX = ±0.01mm
 ANGLES = ±5°
 UNLESS STATED

THIS DRAWING AND ANY INFORMATION OR DESCRIPTIVE MATTER SET OUT HEREON ARE CONFIDENTIAL AND COPYRIGHT PROPERTY OF THE HARWIN GROUP AND MUST NOT BE DISCLOSED, LOANED, COPIED OR USED FOR MANUFACTURING, TENDERING OR FOR ANY OTHER PURPOSE WITHOUT THEIR WRITTEN PERMISSION.

MATERIAL & FINISH:
 SEE ABOVE

TITLE: **KONA SERIES - MALE RIGHT ANGLE PCT REAR PANEL MOUNT CONNECTOR**

DRAWING NUMBER:
KA1-MH1XX05M4

Customer Information Sheet

IF IN DOUBT - ASK

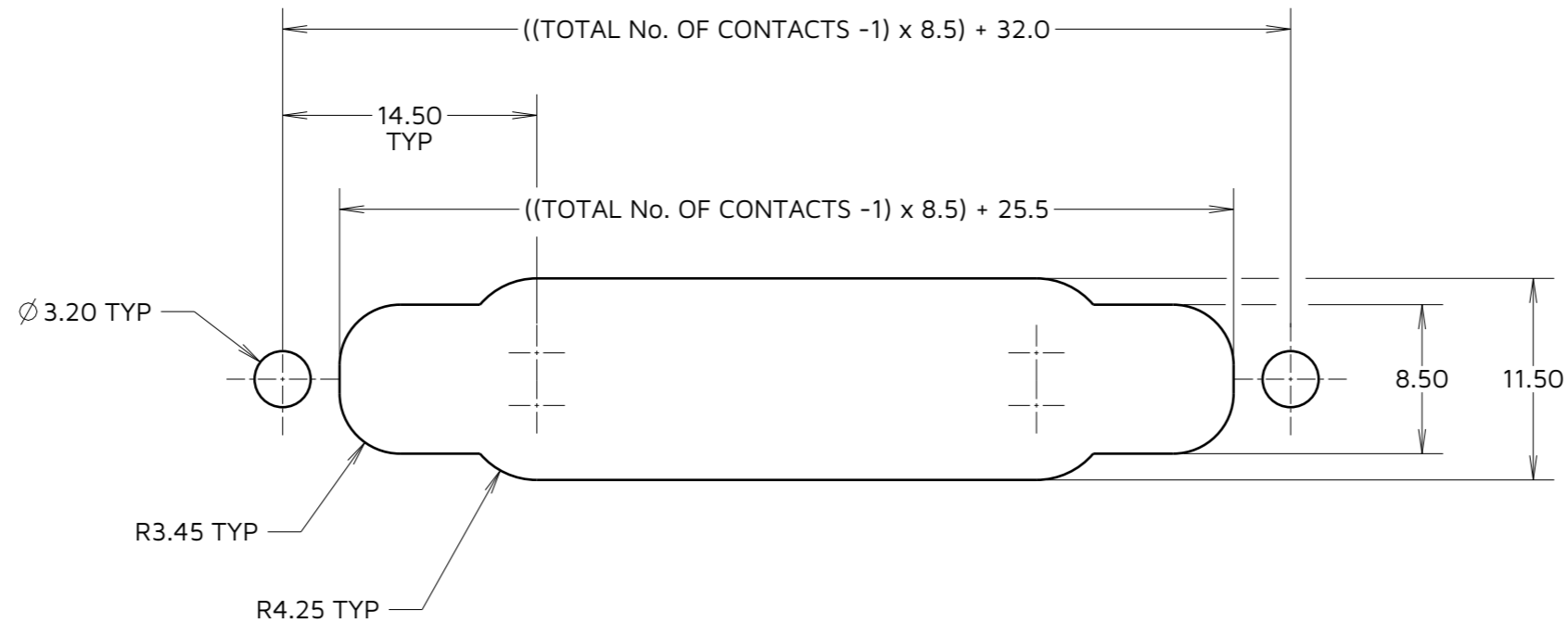
©

NOT TO SCALE

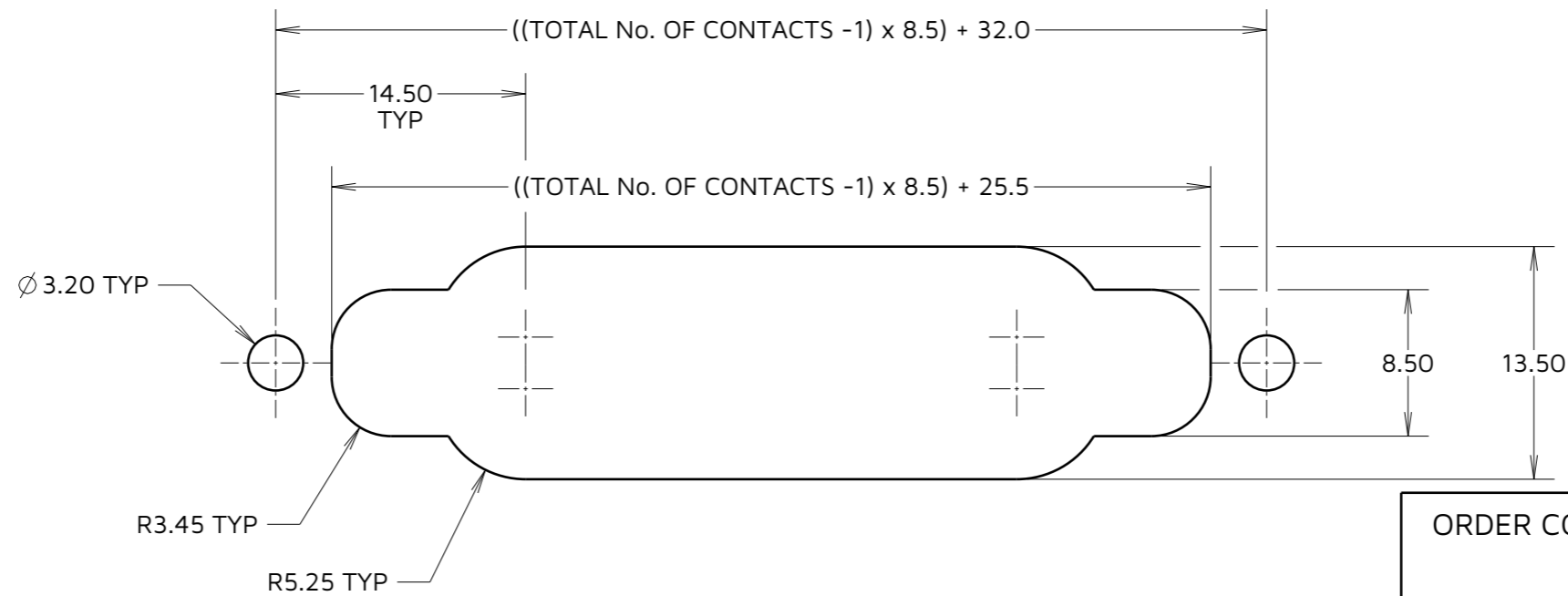
THIRD ANGLE PROJECTION

ALL DIMENSIONS IN mm

PANEL DETAILS - PANEL THICKNESS <3.00mm



PANEL DETAILS - PANEL THICKNESS >3.00mm



ORDER CODE:
KA1-MH1XX05M4
 TOTAL No. OF CONTACTS
 02, 03, 04

AY	3	08.07.25	36190
NAME	ISS.	DATE	CN/CO
APPROVED: A.YEOMANS			
CHECKED: R.PORTLOCK			
DRAWN: M.RUDKIN			

NOTES:
 7. ALL TOLERANCES ±0.05mm.

HARWIN

www.harwin.com

TOLERANCES
 X = ±1mm
 X.X = ±0.50mm
 X.XX = ±0.20mm
 X.XXX = ±0.01mm
 ANGLES = ±5°
 UNLESS STATED

THIS DRAWING AND ANY INFORMATION OR DESCRIPTIVE MATTER SET OUT HEREON ARE CONFIDENTIAL AND COPYRIGHT PROPERTY OF THE HARWIN GROUP AND MUST NOT BE DISCLOSED, LOANED, COPIED OR USED FOR MANUFACTURING, TENDERING OR FOR ANY OTHER PURPOSE WITHOUT THEIR WRITTEN PERMISSION.

MATERIAL & FINISH:
 N/A

TITLE: **KONA SERIES - MALE RIGHT ANGLE PCT REAR PANEL MOUNT CONNECTOR**

DRAWING NUMBER:
KA1-MH1XX05M4

SHT
 4 OF 4