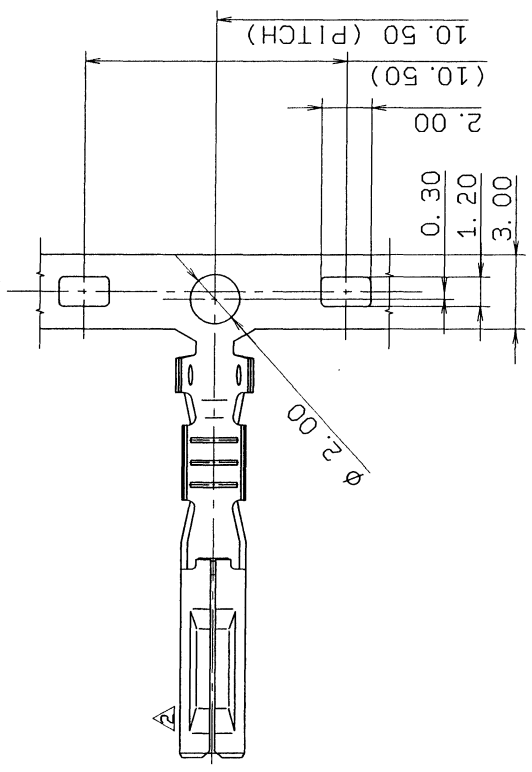


3

2

1

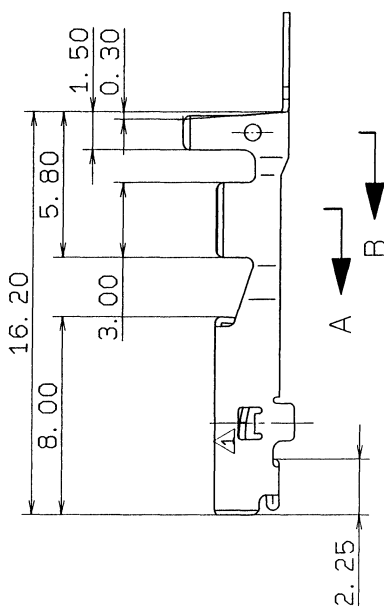


注記

1) 通用感線サイズ : CAVS 0.3~0.85

NOTE

1) APPLICABLE WIRE SIZE : CAVS 0.3~0.85



SEC. A-A

SEC. B-B

96.10.08	CHANGED FORM. \square	C96-M858	H. K	CUSTOMER	CUSTOMER PART NO.	CUSTOMER DWG NO.	MATL. SPEC.	NB109, t=0.25 (SO PLATING)	TREAT. & FIN.	ISSUE MARK					
94.07.01	CHANGED FORM	C94-6271	Y. G	OFFICE			NAME	OBD-II TERMINAL FEMALE							
94.02.07	NEW	C94-L027	Y. G	VENDOR											
LET	DATE	REVISION RECORD	NO.	CHKD											
10MAX	50MAX	100MAX	250MAX	2500OVR	ANGLE	ECCENT	DWG TYPE	DWG SOURCE	DWG DATE	UNIT	SCL	ANGLE	PART NO.	CH. CODE	DWG NO.
± 0.15	± 0.2	± 0.3	± 0.5	± 0.75	$\pm 30'$	0.1	R	NEW	94.02.07	mm	5/1	3	7116-1546-02, \square		7116-1546-02:R
B	± 0.2	± 0.3	± 0.55	± 0.95	$\pm 30'$	0.1	APPROVED	CHECKED		DESIGN					
C	± 0.3	± 0.5	± 0.8	± 1.4	$\pm 30'$	0.15				TSUCHIYA					
SPECIFIED						MASS									
						9	96.10.10	93.12.16	96.10.08						
						1									
						2									
						3									
						9	YAZAKI CORPORATION								

B

A

1

2

3