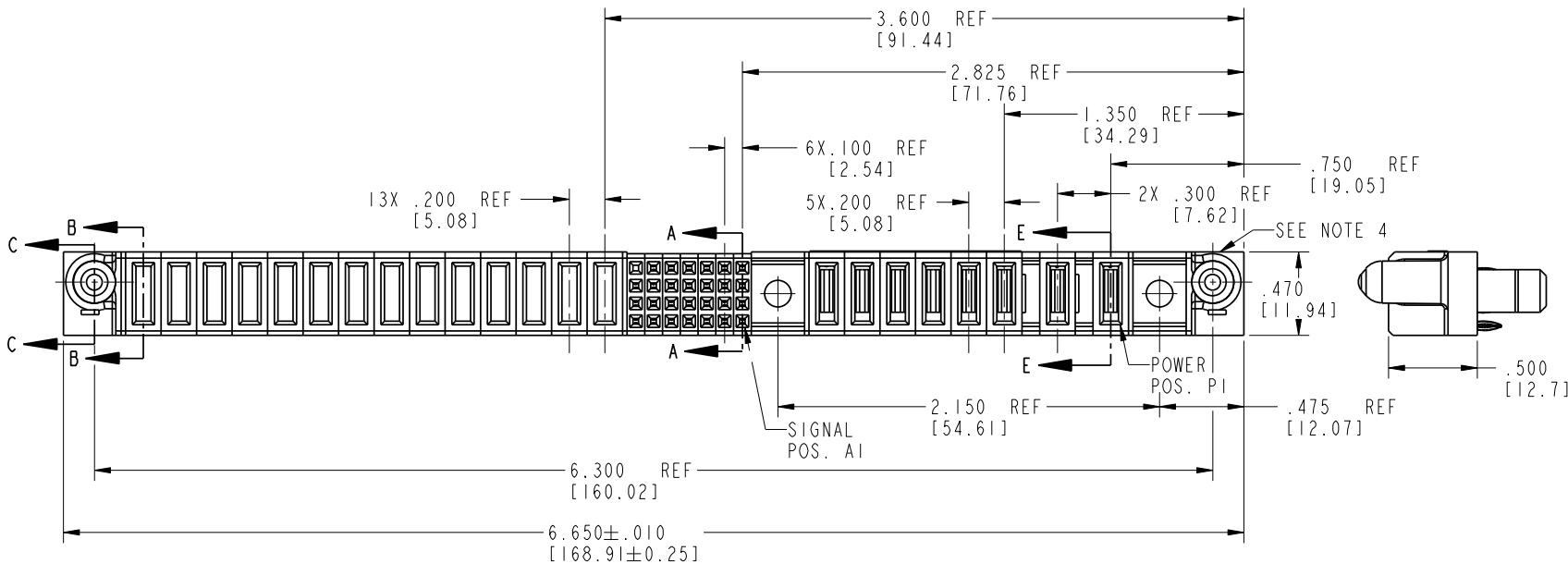


Tous droits strictement réservés. Reproduction ou communication o des liers interdite sous quelque forme que ce soit sans autorisation écrite du propriétaire. Propriete de c FCI. Droits de reproduction FCI.

All rights strictly reserved. Reproduction or issue to third parties in any form whatever is not permitted without written authority from the proprietor. Property of FCI. Copyright FCI.

FCI

PRODUCT NO. 51897-014-- NOTE ③	ROWS DCBA	E2	POWER																	SIGNAL							IM	POWER								1M	E1								
			P22	P21	P20	P19	P18	P17	P16	P15	P14	P13	P12	P11	P10	P9	7	6	5	4	3	2	1	P8	P7	P6		P5	P4	P3	P2	P1													
			PF	PF	PF	PF	PF	PF	PC	PC	PC	PC	PC	PC	PC	PF	F	F	F	F	F	F	F	F	F	F	F	F	F	F	F	F	F	F		PH	PH	PH	PG	PG	PG	PH	PH		



CODE	DIM "M" MATING LENGTH	CONTACT TYPE
PC	.042 [1.07]	POWER
PG	.042 [1.07]	POWER
F	N/A [N/A]	SIGNAL
PF	.092 [2.34]	POWER
PH	.092 [2.34]	POWER

mat'l code				SEE NOTE 2				tolerances unless otherwise specified				CUSTOMER			
lir	ecn no.	dr	date	linear				COPY				A FCI www.fciconnect.com			
A	DG05-0396	GuoJM	10/17/05	.XX±.01/0.X±0.3				projection				title IM + 8P + IM + 28S + 14P VERTICAL PF RECEPT CABLE PORT			
				.XXX±.005/0.XX±0.13				INCH/MM				product family PwrBlade code 213			
				.XXX±.0020/0.XXX±0.051				scale 1:1				size A 51897-014 sheet 1 of 4			
				angles											
				0° ± 2°											
				dr JM GUO 10/17/05											
				enrg STEVEN WANG 10/17/05											
				chr M. MOSTOLLER 10/17/05											
				appd M. MOSTOLLER 10/17/05											
sheet index		revision sheet		A	A	A	A								
				1	2	3	4								

1 | 2

Pro/E

PDM: Rev: A

STAT **Released**

Printed: Dec 20, 2010

3 |

4

code code 22556

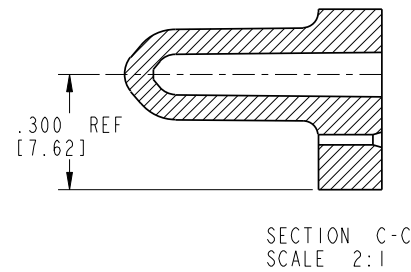
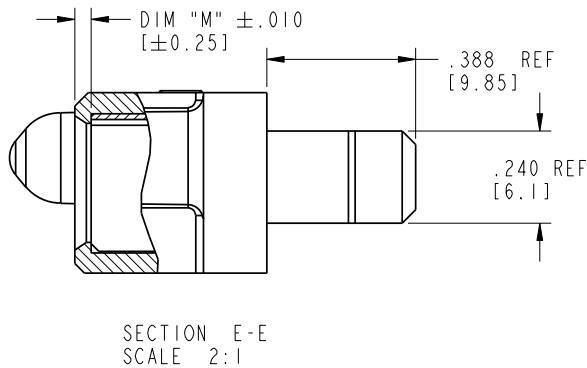
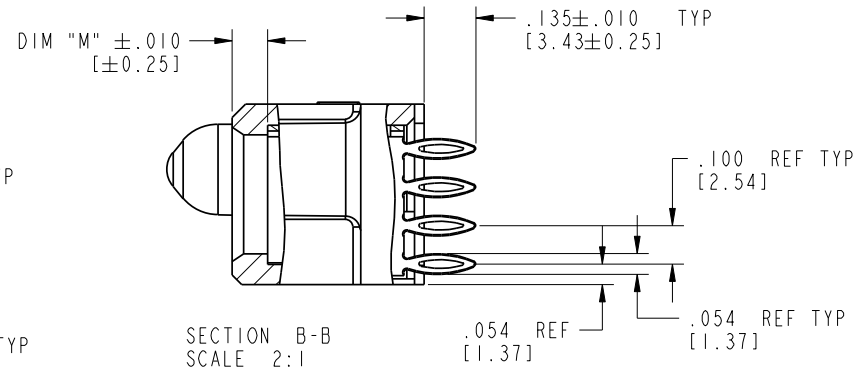
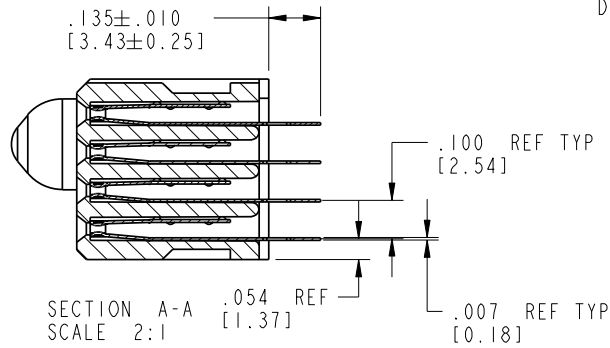
4

Tous droits strictement réservés. Reproduction ou communication a des tiers interdite sous quelque forme que ce soit sans autorisation écrite du propriétaire. Propriété de c FCI. Droits de reproduction FCI.

All rights strictly reserved. Reproduction or issue to third parties in any form whatever is not permitted without written authority from the proprietor. Property of FCI. Copyright FCI.

FCI

PRODUCT NUMBER
51897-014--
NOTE ③



mat'l code		SEE NOTE 2		tolerances unless otherwise specified		CUSTOMER		FCI		www.fciconnect.com	
lir	ecn no.	dr	date	linear	.XX±.01/0.X±0.3	COPY		projection		title	
A					.XX±.005/0.XX±0.13	INCH/MM				IM + 8P + IM + 28S + 14P VERTICAL PF RECEPT CABLE PORT	
				angles	.XXX±.0020/0.XXX±0.051	scale		product family		code	
				dr	0°±2°	1:1		PwrBlade		213	
				enr	JM GUO 10/17/05			size		sheet	
				chr	STEVEN WANG 10/17/05			A 51897-014		2 of 4	
				appd	M. MOSTOLLER 10/17/05						
sheet index	revision sheet										

Pro/E

PDM: Rev: A

STAT: **Released**

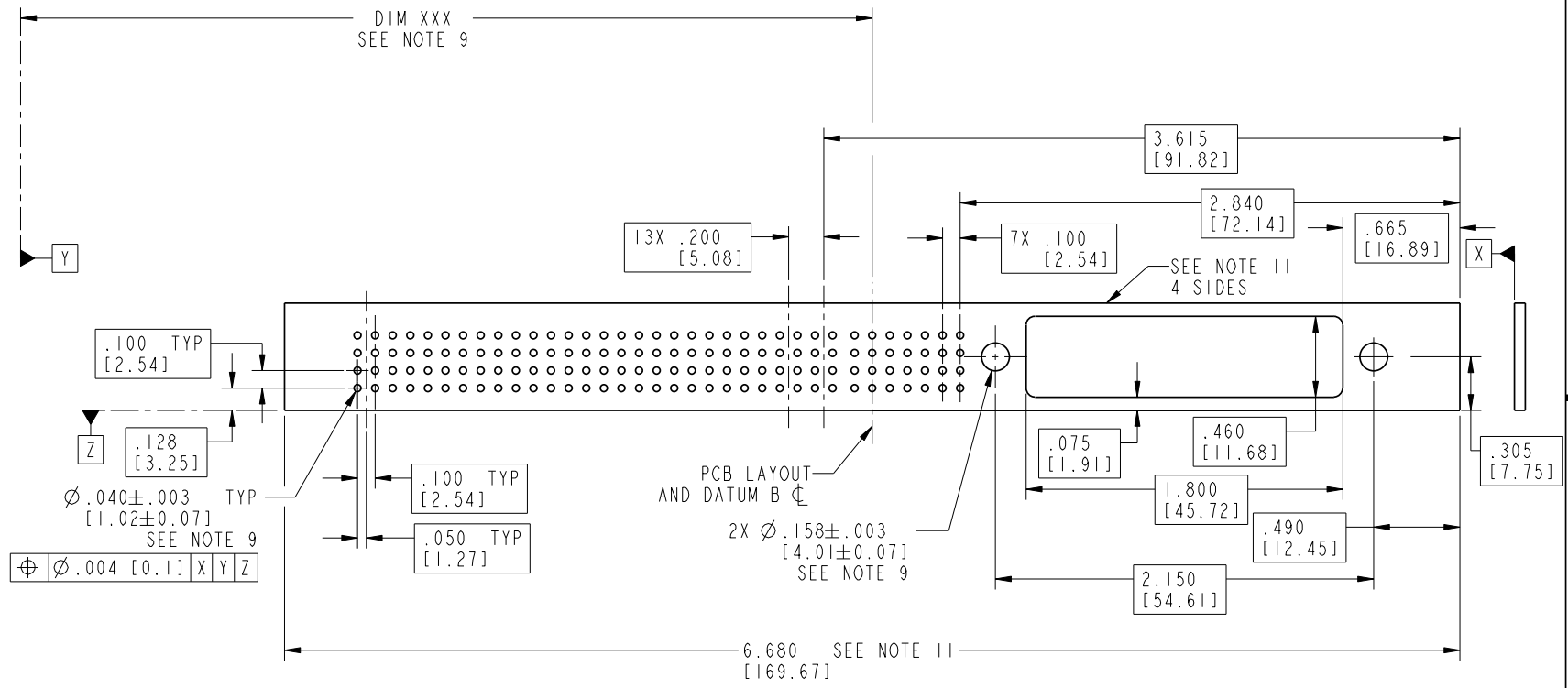
Printed: Dec 20, 2010

Tous droits strictement réservés. Reproduction ou communication o des liers interdite sous quelque forme que ce soit sans autorisation écrite du propriétaire. Propriete de c FCI. Droits de reproduction FCI.

All rights strictly reserved. Reproduction or issue to third parties in any form whatever is not permitted without written authority from the proprietor. Property of FCI. Copyright FCI.

A
FCI

PRODUCT NUMBER
51897-014--
NOTE ③



mat'l code		SEE NOTE 2		tolerances unless otherwise specified		CUSTOMER		A FCI		www.fciconnect.com	
lir	ecn no.	dr	date	linear	.XX±.01/0.X±0.3	COPY		projection		title	
A					.XX±.005/0.XX±0.13	INCH/MM				IM + 8P + IM + 28S + 14P VERTICAL PF RECEPT CABLE PORT	
				angles	.XXX±.0020/0.XXX±0.051	scale		product family		code	
				dr	0°+2°	1:1		PwrBlade		213	
				enr	JM GUO 10/17/05			size		sheet	
				chr	STEVEN WANG 10/17/05			A		3 of 4	
				appd	M. MOSTOLLER 10/17/05			51897-014			
sheet index	revision sheet										

B

B

1 | 2

Pro/E

PDM: Rev: A

STAT: **Released**

Printed: Dec 20, 2010

3 |

4

Tous droits strictement réservés. Reproduction ou communication a des tiers interdite sous quelque forme que ce soit sans autorisation écrite du propriétaire. Propriété de c FCI. Droits de reproduction FCI.

A FCI

All rights strictly reserved. Reproduction or issue to third parties in any form whatever is not permitted without written authority from the proprietor. Property of FCI. Copyright FCI.

B

1 | 2

3

4

A

B

PRODUCT NUMBER
51897-014__
NOTE ③

NOTES:

1. DIMENSIONS AND TOLERANCES ARE IN ACCORDANCE WITH ASME Y14.5M, 1994 UNLESS OTHERWISE SPECIFIED.

CONNECTOR NOTES:

② HOUSING MATERIAL: UL 94 V-0 GLASS FILLED HIGH-TEMP THERMOPLASTIC
POWER CONTACT MATERIAL: COPPER ALLOY
SIGNAL PIN MATERIAL: COPPER ALLOY

3. PLATING:
51897-014 Singal Pin:30u"/0.76um Au OVER 50u"/1.27um Ni ON CONTACT AREA.
AND 100u"/2.54um SnPb PLATING OVER 50u"/1.27um Ni ON THE TERMINATION SECTION.
Power Pin:30u"/0.76um Au OVER 50u"/1.27um Ni ON THE CONTACT AREA,
AND 100u"/2.54um SnPb PLATING OVER 50u"/1.27um Ni ON THE TERMINATION SECTION.

51897-014LF Singal Pin:30u"/0.76um Au OVER 50u"/1.27um Ni ON CONTACT AREA.
AND 78u"/2.00um Sn PLATING OVER 50u"/1.27um Ni ON THE TERMINATION SECTION.
Power Pin:30u"/0.76um Au OVER 50u"/1.27um Ni ON THE CONTACT AREA,
AND 78u"/2.00um Sn PLATING OVER 50u"/1.27um Ni ON THE TERMINATION SECTION.

PART NUMBER 51897-014LF MEETS EUROPEAN UNION DIRECTIVE AND OTHER COUNTRY REGULATIONS AS DESCRIBED IN GS-22-008.

THE HOUSING WILL WITHSTAND EXPOSURE TO 260° PEAK TEMPERATURE FOR 10 SECONDS IN A WAVE SOLDER APPLICATION WITH A CIRCUIT BOARD

④ MANUFACTURER'S NAME, P/N, AND DATE CODE TO APPEAR ON THIS SURFACE.

5. PRODUCT SPECIFICATION GS-12-149.
APPLICATION SPECIFICATION BUS-20-067.

6. PACKAGED IN TRAYS.

PCB NOTES:


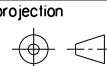

7. ALL HOLE DIAMETERS ARE FINISHED HOLE SIZE.

⑧ MOUNTING HOLES, WHERE APPLICABLE, ARE UNPLATED.

⑨ $\varnothing .0453 \pm .0010$ [1.151 \pm 0.025] DRILLED HOLES PLATED WITH .0003 [0.008] MIN SnPb OVER .001 [0.03] TO .003 [0.08] Cu PLATING TO ACHIEVE $\varnothing .040 \pm .003$ [1.02 \pm .07] HOLE.

⑩ "DIM XXX" TO BE DETERMINED BY THE CUSTOMER.

⑪ CONNECTOR KEEP-OUT ZONE.

mat'l code				SEE NOTE 2		tolerances unless otherwise specified		CUSTOMER		 www.fciconnect.com	
lir	ecn no.	dr	date	linear	.XX±.01/0.X±0.3		COPY		 projection	title	
A					.XXX±.005/0.XX±0.13					IM + 8P + IM + 28S + 14P VERTICAL PF RECEPT CABLE PORT	
				angles	$0^{\circ} \pm 2^{\circ}$		 INCH/MM		product family		
				dr	JM GUO	10/11/05	scale		PwrBlade		
				enrg	STEVEN WANG	10/11/05	1:1		code		
				chr	M. MOSTOLLER	10/11/05	A		213		
				appd	M. MOSTOLLER	10/11/05	51897-014		sheet		
sheet index		revision sheet								4 of 4	

1 | 2

Pro/E

PDM: Rev: A

STAT **US: Released**

Printed: Dec 20, 2010