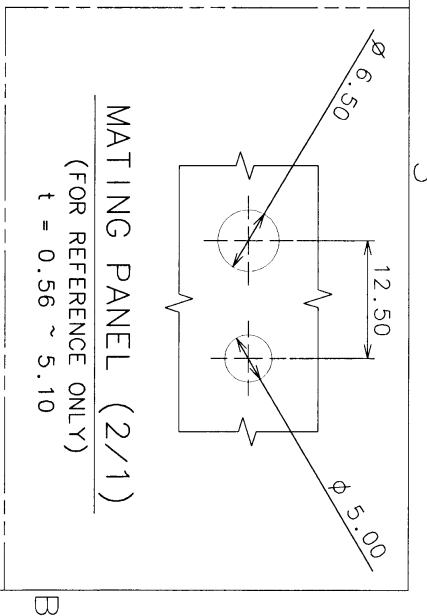
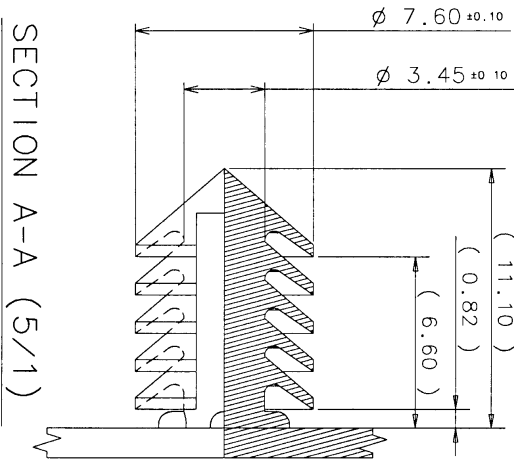
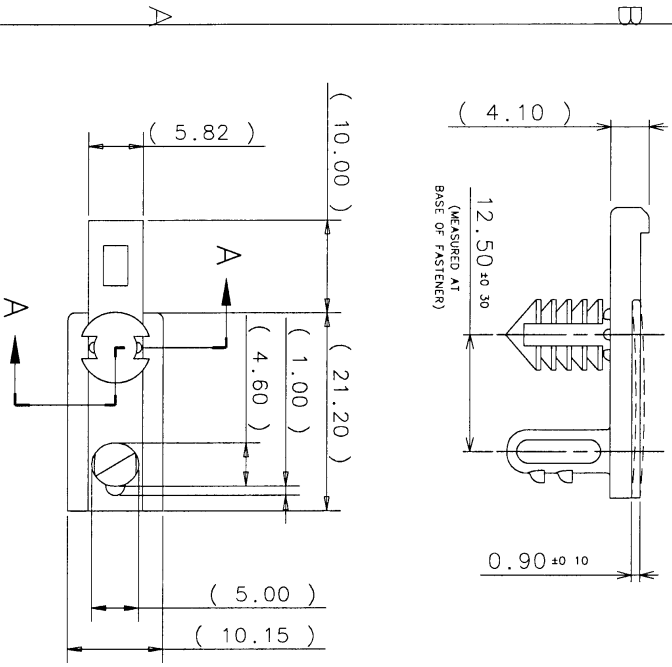


PART NO.	COLOR	MATERIAL
7147-8976-30	BLACK	NYLON 6/6
7147-8976	NATURAL	NYLON 6/6

- NOTES:
- 1) MUST BE FREE OF FLASH AND IMPERFECTIONS THAT AFFECT FUNCTION
 - 2) REFER TO DVPR # DVPR-03-040 FOR TESTING REQUIREMENTS



04.07.23	NEW	CO4-AA80	D.D.	OFFICE	CUSTOMER PART NO.	CUSTOMER DWG NO.	MATL. SPEC.	SEE CHART	TREAT. & FIN.	ISSUE MARK			
LET	DATE REVISION RECORD	NEW	NO.	CHKD	VENDOR NO.	TRIAL PART NO.	NAME	BRACKET RELAY MOUNTING					
GENERAL TOLERANCE													
10MAX	50MAX	100MAX	250MAX	250OVR	ANGLE	ECCENT	DWG TYPE	DWG SOURCE	DWG DATE	UNIT	SCL	ANGLE	PART NO.
A ±0.15	±0.2	±0.3	±0.5	±0.75	±30°	0.1	R	NEW	04.07.23	mm	2/1	3	7147-8976 ETC.
B ±0.2	±0.3	±0.55	±0.95	±1.4	±30°	0.1	APPROVED	CHECKED	CHECKED	DESIGN	DRAWN	DWG NO.	7147-8976:R
C ±0.3	±0.5	±0.8	±1.4	±2	±30°	0.15				A. RABZ/SEMSKI			YAZAKI CORPORATION
SPECIFIED							WEIGHT	1.0 g					

1

2

3

A,2