

# TMCS1126-Q1 AEC-Q100, Precision 500kHz Hall-Effect Current Sensor With Reinforced Working Voltage, Overcurrent Detection and Ambient Field Rejection

## 1 Features

- AEC-Q100 qualified for automotive applications
  - Temperature grade 1:  $-40^{\circ}\text{C}$  to  $125^{\circ}\text{C}$ ,  $T_A$
- Functional Safety-Capable
  - Documentation available to aid functional safety system design
- High continuous current capability:  $80A_{RMS}$
- Robust reinforced isolation
- High accuracy - Grade A
  - Sensitivity error:  $\pm 0.1\%$
  - Sensitivity thermal drift:  $\pm 20\text{ppm}/^{\circ}\text{C}$
  - Sensitivity lifetime drift:  $\pm 0.2\%$
  - Offset error:  $\pm 0.2\text{mV}$
  - Offset thermal drift:  $\pm 2\mu\text{V}/^{\circ}\text{C}$
  - Offset lifetime drift:  $\pm 0.2\text{mV}$
  - Non-linearity:  $\pm 0.1\%$
- Standard accuracy - Grade B
- High immunity to external magnetic fields
- Precision zero-current reference output
- Fast Response
  - Signal bandwidth: 500kHz
  - Response time: 250ns
  - Propagation delay: 60ns
  - Overcurrent detection response: 100ns
- Operating supply range: 3V to 5.5V
- Bidirectional and unidirectional current sensing
- Multiple sensitivity options:
  - Ranging from 15mV/A to 150mV/A
- Safety related certifications
  - UL 1577 Component Recognition Program
  - IEC/CB 62368-1

## 2 Applications

- [Onboard charger](#)
- [DC/DC converter](#)
- [HVAC compressor](#)
- [High-voltage PDU](#)

## 3 Description

The TMCS1126-Q1 is a galvanically isolated Hall-effect current sensor with industry leading isolation and accuracy. An output voltage proportional to the input current is provided with excellent linearity and low drift at all sensitivity options. Precision signal conditioning circuitry with built-in drift compensation is capable of less than 1.4% maximum sensitivity error over temperature and lifetime with no system level calibration, or less than 0.9% maximum sensitivity error including both lifetime and temperature drift with a one-time calibration at room temperature.

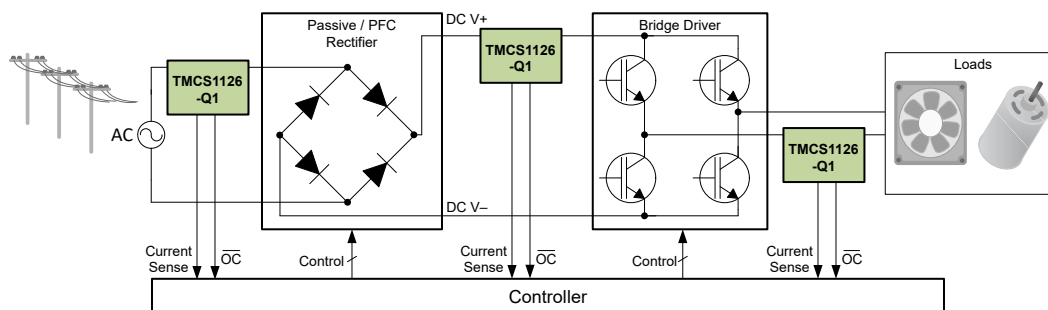
AC or DC input current flows through an internal conductor generating a magnetic field measured by integrated, on-chip, Hall-effect sensors. Coreless construction eliminates the need for magnetic concentrators. Differential Hall sensors reject interference from stray external magnetic fields. Low conductor resistance increases measurable current ranges up to  $\pm 120\text{A}$  while minimizing power loss and easing thermal dissipation requirements. Insulation capable of withstanding  $5\text{kV}_{RMS}$ , coupled with a minimum of 8mm creepage and clearance, provides high levels of reliable lifetime reinforced working voltage. Integrated shielding enables excellent common-mode rejection and transient immunity.

Fixed sensitivity allows the device to operate from a single 3V to 5.5V power supply, eliminating ratiometry errors and improving supply noise rejection. TI provides Grade B options at lower-cost.

### Package Information

PART NUMBER	PACKAGE <sup>(1)</sup>	PACKAGE SIZE <sup>(2)</sup>
TMCS1126-Q1	DVG (SOIC, 10)	10.3mm × 10.3mm

- (1) For all available packages, see [Section 12](#).
- (2) The package size (length × width) is a nominal value and includes pins, where applicable.



Typical Application

## Table of Contents

<b>1 Features</b> .....	1	8.1 Overview.....	21
<b>2 Applications</b> .....	1	8.2 Functional Block Diagram.....	22
<b>3 Description</b> .....	1	8.3 Feature Description.....	22
<b>4 Device Comparison</b> .....	3	8.4 Device Functional Modes.....	28
<b>5 Pin Configuration and Functions</b> .....	4	<b>9 Application and Implementation</b> .....	28
<b>6 Specifications</b> .....	5	9.1 Application Information.....	28
6.1 Absolute Maximum Ratings.....	5	9.2 Typical Application.....	31
6.2 ESD Ratings.....	5	9.3 Power Supply Recommendations.....	34
6.3 Recommended Operating Conditions.....	5	9.4 Layout.....	34
6.4 Thermal Information.....	5	<b>10 Device and Documentation Support</b> .....	35
6.5 Power Ratings.....	6	10.1 Device Nomenclature.....	35
6.6 Insulation Specifications.....	6	10.2 Device Support.....	36
6.7 Safety-Related Certifications.....	6	10.3 Documentation Support.....	36
6.8 Safety Limiting Values.....	7	10.4 Receiving Notification of Documentation Updates..	36
6.9 Electrical Characteristics.....	8	10.5 Support Resources.....	36
6.10 Typical Characteristics.....	12	10.6 Trademarks.....	36
<b>7 Parameter Measurement Information</b> .....	15	10.7 Electrostatic Discharge Caution.....	36
7.1 Accuracy Parameters.....	15	10.8 Glossary.....	36
7.2 Transient Response Parameters.....	18	<b>11 Revision History</b> .....	36
7.3 Safe Operating Area.....	19	<b>12 Mechanical, Packaging, and Orderable Information</b> .....	37
<b>8 Detailed Description</b> .....	21		

## 4 Device Comparison

**Table 4-1. Device Comparison**

PRODUCT <sup>(3)</sup>	SENSITIVITY	ZERO CURRENT OUTPUT VOLTAGE	I <sub>IN</sub> LINEAR MEASUREMENT RANGE <sup>(1)</sup>	
			V <sub>S</sub> = 5V	V <sub>S</sub> = 3.3V
TMCS1126ADx-Q1	20mV/A	2.5V	±120A <sup>(2)</sup>	–120A to 35A <sup>(2)</sup>
TMCS1126A1x-Q1	25mV/A		±96A <sup>(2)</sup>	–96A to 28A <sup>(2)</sup>
TMCS1126A7x-Q1	30mV/A		±80A <sup>(2)</sup>	–80A to 23.3A <sup>(2)</sup>
TMCS1126A8x-Q1	40mV/A		±60A <sup>(2)</sup>	–60A to 17.5A <sup>(2)</sup>
TMCS1126A2x-Q1	50mV/A		±48A <sup>(2)</sup>	–48A to 14A <sup>(2)</sup>
TMCS1126A3x-Q1	75mV/A		±32A	–32A to 9.3A
TMCS1126A4x-Q1	100mV/A		±24A	–24A to 7A
TMCS1126A5x-Q1	150mV/A		±16A	–16A to 4.7A
TMCS1126B6x-Q1	15mV/A	1.65V	–103.3A to 216.7A <sup>(2)</sup>	±103.3A <sup>(2)</sup>
TMCS1126BDx-Q1	20mV/A		–77.5A to 162.5A <sup>(2)</sup>	±77.5A <sup>(2)</sup>
TMCS1126B1x-Q1	25mV/A		–62A to 130A <sup>(2)</sup>	±62A <sup>(2)</sup>
TMCS1126BCx-Q1	26.4mV/A		–58.7A to 123A <sup>(2)</sup>	±58.7A <sup>(2)</sup>
TMCS1126B9x-Q1	33mV/A		–46.9A to 98.5A <sup>(2)</sup>	±46.9A <sup>(2)</sup>
TMCS1126BBx-Q1	39.6mV/A		–39.1A to 82A <sup>(2)</sup>	±39.1A <sup>(2)</sup>
TMCS1126B8x-Q1	40mV/A		–38.7A to 81.2A <sup>(2)</sup>	±38.7A <sup>(2)</sup>
TMCS1126B2x-Q1	50mV/A		–31A to 65A <sup>(2)</sup>	±31A
TMCS1126BAx-Q1	66mV/A		–23.5A to 49.2A <sup>(2)</sup>	±23.5A
TMCS1126B3x-Q1	75mV/A		–20.7A to 43.3A <sup>(2)</sup>	±20.7A
TMCS1126B4x-Q1	100mV/A		–15.5A to 32.5A	±15.5A
TMCS1126BEx-Q1	132mV/A		–11.7A to 24.6A	±11.7A
TMCS1126B5x-Q1	150mV/A		–10.3A to 21.7A	±10.3A
TMCS1126C1x-Q1	25mV/A		0.33V	–9.2A to 183A <sup>(2)</sup>
TMCS1126C2x-Q1	50mV/A	–4.6A to 91.4A <sup>(2)</sup>		–4.6A to 57.4A <sup>(2)</sup>
TMCS1126C3x-Q1	75mV/A	–3.1A to 60.9A <sup>(2)</sup>		–3.1A to 38.3A <sup>(2)</sup>
TMCS1126C4x-Q1	100mV/A	–2.3A to 45.7A <sup>(2)</sup>		–2.3A to 28.7A
TMCS1126C5x-Q1	150mV/A	–1.5A to 30.5A		–1.5A to 19.1A

- (1) Linear range limited by the maximum output swing to power supply (3V to 5.5V) and ground, not by thermal limitations.
- (2) Current levels must remain below both allowable continuous DC/RMS and transient peak current safe operating areas to not exceed device thermal limits. See the [Safe Operating Area](#) section.
- (3) For more information on the device name and device options, see the [Device Nomenclature](#) section.

**Table 4-2. Specialty Devices**

PRODUCT <sup>(1)</sup>	PERFORMANCE	SPECIAL FEATURE DESCRIPTION
TMCS1126xxA-Q1	Grade A	Standard overcurrent detection response time 100ns
TMCS1126xxB-Q1	Grade B	
TMCS1126xx1-Q1	Grade A	Extended overcurrent detection response time 1.25μs MASK to prevent unwanted interrupts from noise or interference.
TMCS1126xx2-Q1	Grade B	

- (1) Overcurrent output is asserted after a sustained overcurrent event lasting longer than specified MASK time as shown in [Section 8.3.7.3](#) and specified in the [Electrical Characteristics](#) table.

## 5 Pin Configuration and Functions

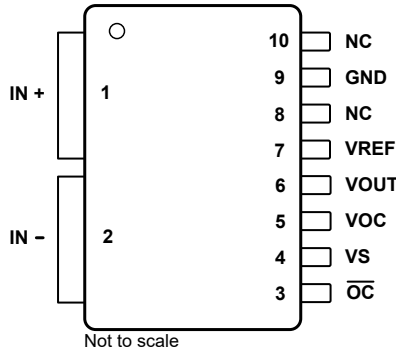


Figure 5-1. DVG Package 10-Pin SOIC Top View

Table 5-1. Pin Functions

PIN		TYPE	DESCRIPTION
NO.	NAME		
1	IN+	Analog Input	Input current positive pin
2	IN-	Analog Input	Input current negative pin
3	$\overline{OC}$	Digital Output	Overcurrent output, open-drain active low. Connect pin to GND if not used.
4	VS	Analog	Power supply
5	VOC	Analog Input	Overcurrent threshold. Sets overcurrent threshold. Connect pin to VS if not used.
6	VOUT	Analog Output	Output voltage
7	VREF	Analog Output	Zero current output voltage reference
8	NC	-	Reserved. Pin can be connected to GND or left floating.
9	GND	Analog	Ground
10	NC	-	Reserved. Pin can be connected to GND or left floating.

## 6 Specifications

### 6.1 Absolute Maximum Ratings

over operating free-air temperature range (unless otherwise noted)<sup>(1)</sup>

		MIN	MAX	UNIT
V <sub>S</sub>	Supply voltage	GND – 0.3	6	V
	Analog input	VOC	(V <sub>S</sub> ) + 0.3	V
	Analog output	VOUT, VREF		
	Digital output	OC		
	No Connect	NC		
T <sub>J</sub>	Junction temperature	–65	165	°C
V	Storage temperature	–65	165	°C

- (1) Operation outside the Absolute Maximum Ratings may cause permanent device damage. Absolute Maximum Ratings do not imply functional operation of the device at these or any other conditions beyond those listed under Recommended Operating Conditions. If used outside the Recommended Operating Conditions but within the Absolute Maximum Ratings, the device may not be fully functional, and this may affect device reliability, functionality, performance, and shorten the device lifetime.

### 6.2 ESD Ratings

			VALUE	UNIT
V <sub>(ESD)</sub>	Electrostatic discharge	Human-body model (HBM), per ANSI/ESDA/JEDEC JS-001 <sup>(1)</sup>	±4000	V
		Charged-device model (CDM), per ANSI/ESDA/JEDEC JS-002 <sup>(2)</sup>	±1000	

- (1) JEDEC document JEP155 states that 500V HBM allows safe manufacturing with a standard ESD control process.  
 (2) JEDEC document JEP157 states that 250V CDM allows safe manufacturing with a standard ESD control process.

### 6.3 Recommended Operating Conditions

over operating free-air temperature range (unless otherwise noted)

		MIN	NOM	MAX	UNIT
V <sub>S</sub>	Operating supply voltage	3	5	5.5	V
T <sub>A</sub> <sup>(1)</sup>	Operating free-air temperature	–40		125	°C

- (1) Input current safe operating area is constrained by junction temperature. Recommended condition based on use with the [TMCS1126xEVM](#). Input current rating is derated for elevated ambient temperatures.

### 6.4 Thermal Information

THERMAL METRIC <sup>(1)</sup>		TMCS1126 <sup>(2)</sup>	UNIT
		DVG (SOIC-W-10)	
		10 PINS	
R <sub>θJA</sub>	Junction-to-ambient thermal resistance	27.9	°C/W
R <sub>θJC(top)</sub>	Junction-to-case (top) thermal resistance	26.8	
R <sub>θJB</sub>	Junction-to-board thermal resistance	10.1	
Ψ <sub>JT</sub>	Junction-to-top characterization parameter	4.4	
Ψ <sub>JB</sub>	Junction-to-board characterization parameter	8.3	

- (1) For more information about traditional and new thermal metrics, see the [Semiconductor and IC Package Thermal Metrics](#) application note.  
 (2) Applies when device is mounted on the [TMCS1126xEVM](#) with 40A input current. For more details, see the [Safe Operating Area](#) section.

## 6.5 Power Ratings

$V_S = 5.5V$ ,  $T_A = 125^\circ C$ ,  $T_J = 165^\circ C$ , device soldered on the [TMCS1126xEVM](#).

PARAMETER		TEST CONDITIONS	MIN	TYP	MAX	UNIT
$P_D$	Maximum power dissipation (both sides)				2.0	W
$P_{D1}$	Maximum power dissipation (current input, side-1)	$I_{IN} = 44A$			1.9	W
$P_{D2}$	Maximum power dissipation by (side-2)	$V_S = 5.5V$ , $I_Q = 14.5mA$ , no loads			0.1	W

## 6.6 Insulation Specifications

PARAMETER		TEST CONDITIONS	VALUE	UNIT
<b>GENERAL</b>				
CLR	External clearance <sup>(1)</sup>	Shortest terminal-to-terminal distance through air	$\geq 8$	mm
CPG	External creepage <sup>(1)</sup>	Shortest terminal-to-terminal distance across the package surface	$\geq 8$	mm
CTI	Comparative tracking index	DIN EN 60112; IEC 60112	$\geq 600$	V
	Material group	According to IEC 60664-1	I	
	Overvoltage category per IEC 60664-1	Rated mains voltage $\leq 600V_{RMS}$	I-IV	
$V_{IORM}$	Maximum repetitive peak isolation voltage	AC voltage (bipolar)	1697	$V_{PK}$
$V_{IOWM}$	Maximum reinforced isolation working voltage	AC voltage (sine wave); Time Dependent Dielectric Breakdown (TDDB) test, < 1ppm fail rate, see <a href="#">Input Isolation</a> section.	950	$V_{RMS}$
			1343	$V_{DC}$
$V_{IOWM}$	Maximum basic isolation working voltage	AC voltage (sine wave); Time Dependent Dielectric Breakdown (TDDB) test, < 1000ppm fail rate, see <a href="#">Input Isolation</a> section.	1200	$V_{RMS}$
			1697	$V_{DC}$
$V_{IOTM}$	Maximum transient isolation voltage	$V_{TEST} = \sqrt{2} \times V_{ISO}$ , $t = 60s$ (qualification); $V_{TEST} = 1.2 \times V_{IOTM}$ , $t = 1s$ (100% production)	7071	$V_{PK}$
$V_{IOSM}$	Maximum surge isolation voltage <sup>(2)</sup>	Test method per IEC 62368-1, 1.2/50 $\mu s$ waveform, $V_{TEST} = 1.3 \times V_{IOSM}$ (qualification)	10000	$V_{PK}$
$q_{pd}$	Apparent charge <sup>(3)</sup>	Method b1: At routine test (100% production) and preconditioning (type test), $V_{ini} = 1.2 \times V_{IOTM}$ , $t_{ini} = 1s$ , $V_{pd(m)} = 1.875 \times V_{IORM}$ , $t_m = 1s$	$\leq 5$	pC
$C_{IO}$	Barrier capacitance, input to output <sup>(4)</sup>	$V_{IO} = 0.4 \sin(2\pi ft)$ , $f = 1MHz$	0.6	pF
$R_{IO}$	Isolation resistance, input to output <sup>(4)</sup>	$V_{IO} = 500V$ , $T_A = 25^\circ C$	$> 10^{12}$	$\Omega$
		$V_{IO} = 500V$ , $100^\circ C \leq T_A \leq 125^\circ C$	$> 10^{11}$	$\Omega$
		$V_{IO} = 500V$ at $T_S = 150^\circ C$	$> 10^9$	$\Omega$
	Pollution degree		2	
<b>UL 1577</b>				
$V_{ISO}$	Withstand isolation voltage	$V_{TEST} = V_{ISO}$ , $t = 60s$ (qualification); $V_{TEST} = 1.2 \times V_{ISO}$ , $t = 1s$ (100% production)	5000	$V_{RMS}$

- Apply creepage and clearance requirements according to the specific equipment isolation standards of an application. Take care to maintain the creepage and clearance distance of the board design to make sure that the mounting pads of the isolator on the printed circuit board do not reduce this distance. Creepage and clearance on a printed circuit board become equal in certain cases. Techniques such as inserting grooves, ribs, or both on a printed circuit board are used to help increase these specifications.
- Testing is carried out in air or oil to determine the intrinsic surge immunity of the isolation barrier.
- Apparent charge is electrical discharge caused by a partial discharge (pd).
- All pins on each side of the barrier tied together creating a two-terminal device.

## 6.7 Safety-Related Certifications

UL	
UL 1577 Component Recognition Program	Certified according to IEC 62368-1 CB
File number: E181974	Certificate number: US-43893-M1-UL

## 6.8 Safety Limiting Values

Safety limiting intends to minimize potential damage to the isolation barrier upon failure of input or output circuitry.

PARAMETER		TEST CONDITIONS	MIN	TYP	MAX	UNIT
$I_S$	Safety input current (side 1) <sup>(1)</sup>	$T_J = 165^\circ\text{C}$ , $T_A = 25^\circ\text{C}$ , see <a href="#">Thermal Derating Curve, Side 1</a> .			80	
$I_S$	Safety input, output, or supply current (side 2) <sup>(1)</sup>	$V_I = 5\text{V}$ , $T_J = 165^\circ\text{C}$ , $T_A = 25^\circ\text{C}$ , see <a href="#">Thermal Derating Curve, Side 2</a> .			1.35	$A_{\text{RMS}}$
$P_S$	Safety input, output, or total power <sup>(1)</sup>	$T_J = 165^\circ\text{C}$ , $T_A = 25^\circ\text{C}$ , see <a href="#">Thermal Derating Curve, Both Sides</a> .			6.8	W
$T_S$	Safety temperature <sup>(1)</sup>				165	$^\circ\text{C}$

- (1) The maximum safety temperature,  $T_S$ , has the same value as the maximum junction temperature,  $T_J$ , specified for the device. The  $I_S$  and  $P_S$  parameters represent the safety current and safety power respectively. The maximum limits of  $I_S$  and  $P_S$  must not be exceeded. These limits vary with the ambient temperature,  $T_A$  as shown in the [Safe Operating Area](#) section when used in the [TMCS1126xEVM](#).

### 6.9 Electrical Characteristics

at  $T_A = 25^\circ\text{C}$ ,  $V_S = 5\text{V}$  on TMCS1126Axx-Q1,  $V_S = 3.3\text{V}$  on TMCS1126Bxx-Q1 and TMCS1126Cxx-Q1 (unless otherwise noted)

PARAMETERS		TEST CONDITIONS	MIN	TYP	MAX	UNIT
<b>INPUT</b>						
$R_{IN}$	Input Conductor Resistance	IN+ to IN-		0.7		m $\Omega$
$R_{IN}$	Input Conductor Resistance Temperature Drift	$T_A = -40^\circ\text{C}$ to $125^\circ\text{C}$		2.1		$\mu\Omega/^\circ\text{C}$
$I_{IN,MAX}$	Maximum Continuous Input Current <sup>(1)</sup>	$T_A = 25^\circ\text{C}$		80		$A_{RMS}$
		$T_A = 125^\circ\text{C}$		44		
<b>OUTPUT</b>						
S	Sensitivity	TMCS1126x6x-Q1		15		mV/A
		TMCS1126xDx-Q1		20		
		TMCS1126x1x-Q1		25		
		TMCS1126xCx-Q1		26.4		
		TMCS1126x7x-Q1		30		
		TMCS1126x9x-Q1		33		
		TMCS1126xBx-Q1		39.6		
		TMCS1126x8x-Q1		40		
		TMCS1126x2x-Q1		50		
		TMCS1126xAx-Q1		66		
		TMCS1126x3x-Q1		75		
		TMCS1126x4x-Q1		100		
		TMCS1126xEx-Q1		132		
$e_S$	Sensitivity Error: Grade A	TMCS1126xxA-Q1, $0.05\text{V} \leq V_{OUT} \leq V_S - 0.2\text{V}$		$\pm 0.1$	$\pm 0.4$	%
	Sensitivity Error: Grade B	TMCS1126xxB-Q1, $0.05\text{V} \leq V_{OUT} \leq V_S - 0.2\text{V}$		$\pm 0.3$	$\pm 1$	
$S_{drift,therm}$	Sensitivity Thermal Drift: Grade A	TMCS1126xxA-Q1, $0.05\text{V} \leq V_{OUT} \leq V_S - 0.2\text{V}$ , $T_A = -40^\circ\text{C}$ to $125^\circ\text{C}$		$\pm 20$	$\pm 50$	ppm/ $^\circ\text{C}$
	Sensitivity Thermal Drift: Grade B	TMCS1126xxB-Q1, $0.05\text{V} \leq V_{OUT} \leq V_S - 0.2\text{V}$ , $T_A = -40^\circ\text{C}$ to $125^\circ\text{C}$		$\pm 40$	$\pm 100$	
$S_{drift,life}$	Sensitivity Lifetime Drift <sup>(2)</sup>	$0.05\text{V} \leq V_{OUT} \leq V_S - 0.2\text{V}$		$\pm 0.2$	$\pm 0.5$	%
$e_{NL}$	Nonlinearity Error: Grade A	TMCS1126xxA-Q1, $V_{OUT} = 0.1\text{V}$ to $V_S - 0.1\text{V}$		$\pm 0.1$		%
	Nonlinearity Error: Grade B	TMCS1126xxB-Q1, $V_{OUT} = 0.1\text{V}$ to $V_S - 0.1\text{V}$		$\pm 0.2$		
$V_{OUT,0A}$	Zero Current Output Voltage	TMCS1126Axx-Q1, $I_{IN} = 0\text{A}$		2.5		V
		TMCS1126Bxx-Q1, $I_{IN} = 0\text{A}$		1.65		
		TMCS1126Cxx-Q1, $I_{IN} = 0\text{A}$		0.33		
$V_{OE}$	Output Voltage Offset Error: Grade A	TMCS1126x6A-Q1, $V_{OUT,0A} - V_{REF}$ , $I_{IN} = 0\text{A}$		$\pm 0.1$	$\pm 0.8$	mV
		TMCS1126xDA-Q1, $V_{OUT,0A} - V_{REF}$ , $I_{IN} = 0\text{A}$		$\pm 0.2$	$\pm 1$	
		TMCS1126x1A-Q1, $V_{OUT,0A} - V_{REF}$ , $I_{IN} = 0\text{A}$		$\pm 0.2$	$\pm 1$	
		TMCS1126xCA-Q1, $V_{OUT,0A} - V_{REF}$ , $I_{IN} = 0\text{A}$		$\pm 0.2$	$\pm 1$	
		TMCS1126x7A-Q1, $V_{OUT,0A} - V_{REF}$ , $I_{IN} = 0\text{A}$		$\pm 0.2$	$\pm 1$	
		TMCS1126x9A-Q1, $V_{OUT,0A} - V_{REF}$ , $I_{IN} = 0\text{A}$		$\pm 0.2$	$\pm 1$	
		TMCS1126xBA-Q1, $V_{OUT,0A} - V_{REF}$ , $I_{IN} = 0\text{A}$		$\pm 0.3$	$\pm 1.5$	
		TMCS1126x8A-Q1, $V_{OUT,0A} - V_{REF}$ , $I_{IN} = 0\text{A}$		$\pm 0.3$	$\pm 1.5$	
		TMCS1126x2A-Q1, $V_{OUT,0A} - V_{REF}$ , $I_{IN} = 0\text{A}$		$\pm 0.3$	$\pm 1.5$	
		TMCS1126xAA-Q1, $V_{OUT,0A} - V_{REF}$ , $I_{IN} = 0\text{A}$		$\pm 0.4$	$\pm 2$	
		TMCS1126x3A-Q1, $V_{OUT,0A} - V_{REF}$ , $I_{IN} = 0\text{A}$		$\pm 0.4$	$\pm 2$	
		TMCS1126x4A-Q1, $V_{OUT,0A} - V_{REF}$ , $I_{IN} = 0\text{A}$		$\pm 0.5$	$\pm 2.5$	
		TMCS1126xEA-Q1, $V_{OUT,0A} - V_{REF}$ , $I_{IN} = 0\text{A}$		$\pm 0.6$	$\pm 3$	
		TMCS1126x5A-Q1, $V_{OUT,0A} - V_{REF}$ , $I_{IN} = 0\text{A}$		$\pm 0.6$	$\pm 3$	

at  $T_A = 25^\circ\text{C}$ ,  $V_S = 5\text{V}$  on TMCS1126Axx-Q1,  $V_S = 3.3\text{V}$  on TMCS1126Bxx-Q1 and TMCS1126Cxx-Q1 (unless otherwise noted)

PARAMETERS		TEST CONDITIONS	MIN	TYP	MAX	UNIT
$V_{OE}$	Output Voltage Offset Error: Grade B	TMCS1126x6B-Q1, $V_{OUT,0A} - V_{REF}$ , $I_{IN} = 0\text{A}$		$\pm 0.4$	$\pm 1.5$	mV
		TMCS1126xDB-Q1, $V_{OUT,0A} - V_{REF}$ , $I_{IN} = 0\text{A}$		$\pm 0.7$	$\pm 2$	
		TMCS1126x1B-Q1, $V_{OUT,0A} - V_{REF}$ , $I_{IN} = 0\text{A}$		$\pm 0.7$	$\pm 2$	
		TMCS1126xCB-Q1, $V_{OUT,0A} - V_{REF}$ , $I_{IN} = 0\text{A}$		$\pm 0.7$	$\pm 2$	
		TMCS1126x7B-Q1, $V_{OUT,0A} - V_{REF}$ , $I_{IN} = 0\text{A}$		$\pm 0.7$	$\pm 2$	
		TMCS1126x9B-Q1, $V_{OUT,0A} - V_{REF}$ , $I_{IN} = 0\text{A}$		$\pm 0.7$	$\pm 2$	
		TMCS1126xBB-Q1, $V_{OUT,0A} - V_{REF}$ , $I_{IN} = 0\text{A}$		$\pm 0.8$	$\pm 2.5$	
		TMCS1126x8B-Q1, $V_{OUT,0A} - V_{REF}$ , $I_{IN} = 0\text{A}$		$\pm 0.8$	$\pm 2.5$	
		TMCS1126x2B-Q1, $V_{OUT,0A} - V_{REF}$ , $I_{IN} = 0\text{A}$		$\pm 0.8$	$\pm 2.5$	
		TMCS1126xAB-Q1, $V_{OUT,0A} - V_{REF}$ , $I_{IN} = 0\text{A}$		$\pm 1$	$\pm 3$	
		TMCS1126x3B-Q1, $V_{OUT,0A} - V_{REF}$ , $I_{IN} = 0\text{A}$		$\pm 1$	$\pm 3$	
		TMCS1126x4B-Q1, $V_{OUT,0A} - V_{REF}$ , $I_{IN} = 0\text{A}$		$\pm 1.5$	$\pm 4.5$	
		TMCS1126xEB-Q1, $V_{OUT,0A} - V_{REF}$ , $I_{IN} = 0\text{A}$		$\pm 2$	$\pm 6$	
		TMCS1126x5B-Q1, $V_{OUT,0A} - V_{REF}$ , $I_{IN} = 0\text{A}$		$\pm 2$	$\pm 6$	
$V_{OE, \text{drift, therm}}$	Output Voltage Offset Thermal Drift	TMCS1126x6x-Q1, $V_{OUT,0A} - V_{REF}$ , $I_{IN} = 0\text{A}$ , $T_A = -40^\circ\text{C}$ to $125^\circ\text{C}$		$\pm 10$	$\pm 30$	$\mu\text{V}/^\circ\text{C}$
		TMCS1126xDx-Q1, $V_{OUT,0A} - V_{REF}$ , $I_{IN} = 0\text{A}$ , $T_A = -40^\circ\text{C}$ to $125^\circ\text{C}$		$\pm 10$	$\pm 30$	
		TMCS1126x1x-Q1, $V_{OUT,0A} - V_{REF}$ , $I_{IN} = 0\text{A}$ , $T_A = -40^\circ\text{C}$ to $125^\circ\text{C}$		$\pm 10$	$\pm 30$	
		TMCS1126xCx-Q1, $V_{OUT,0A} - V_{REF}$ , $I_{IN} = 0\text{A}$ , $T_A = -40^\circ\text{C}$ to $125^\circ\text{C}$		$\pm 15$	$\pm 40$	
		TMCS1126x7x-Q1, $V_{OUT,0A} - V_{REF}$ , $I_{IN} = 0\text{A}$ , $T_A = -40^\circ\text{C}$ to $125^\circ\text{C}$		$\pm 15$	$\pm 40$	
		TMCS1126x9x-Q1, $V_{OUT,0A} - V_{REF}$ , $I_{IN} = 0\text{A}$ , $T_A = -40^\circ\text{C}$ to $125^\circ\text{C}$		$\pm 15$	$\pm 40$	
		TMCS1126xBx-Q1, $V_{OUT,0A} - V_{REF}$ , $I_{IN} = 0\text{A}$ , $T_A = -40^\circ\text{C}$ to $125^\circ\text{C}$		$\pm 15$	$\pm 40$	
		TMCS1126x8x-Q1, $V_{OUT,0A} - V_{REF}$ , $I_{IN} = 0\text{A}$ , $T_A = -40^\circ\text{C}$ to $125^\circ\text{C}$		$\pm 15$	$\pm 40$	
		TMCS1126x2x-Q1, $V_{OUT,0A} - V_{REF}$ , $I_{IN} = 0\text{A}$ , $T_A = -40^\circ\text{C}$ to $125^\circ\text{C}$		$\pm 15$	$\pm 40$	
		TMCS1126xAx-Q1, $V_{OUT,0A} - V_{REF}$ , $I_{IN} = 0\text{A}$ , $T_A = -40^\circ\text{C}$ to $125^\circ\text{C}$		$\pm 20$	$\pm 50$	
		TMCS1126x3x-Q1, $V_{OUT,0A} - V_{REF}$ , $I_{IN} = 0\text{A}$ , $T_A = -40^\circ\text{C}$ to $125^\circ\text{C}$		$\pm 20$	$\pm 70$	
		TMCS1126x4x-Q1, $V_{OUT,0A} - V_{REF}$ , $I_{IN} = 0\text{A}$ , $T_A = -40^\circ\text{C}$ to $125^\circ\text{C}$		$\pm 30$	$\pm 80$	
		TMCS1126xEx-Q1, $V_{OUT,0A} - V_{REF}$ , $I_{IN} = 0\text{A}$ , $T_A = -40^\circ\text{C}$ to $125^\circ\text{C}$		$\pm 40$	$\pm 100$	
		TMCS1126x5x-Q1, $V_{OUT,0A} - V_{REF}$ , $I_{IN} = 0\text{A}$ , $T_A = -40^\circ\text{C}$ to $125^\circ\text{C}$		$\pm 40$	$\pm 100$	
$I_{OS, \text{drift, life}}$	Offset Lifetime Drift <sup>(2)</sup>	Input Referred, $(V_{OUT,0A} - V_{REF}) / S$ , $I_{IN} = 0\text{A}$		$\pm 8$	$\pm 16$	mA
PSRR	Power Supply Rejection Ratio: Grade A	TMCS1126xxA-Q1, Input Referred, $V_S = 3\text{V}$ to $5.5\text{V}$ , $T_A = -40^\circ\text{C}$ to $125^\circ\text{C}$		$\pm 10$	$\pm 45$	mA/V
	Power Supply Rejection Ratio: Grade B	TMCS1126xxB-Q1, Input Referred, $V_S = 3\text{V}$ to $5.5\text{V}$ , $T_A = -40^\circ\text{C}$ to $125^\circ\text{C}$		$\pm 40$	$\pm 80$	
CMTI	Common Mode Transient Immunity <sup>(3)</sup>	$V_{CM} = 1000\text{V}$ , $\Delta V_{OUT} < 200\text{mV}$ , $1\mu\text{s}$		150		kV/ $\mu\text{s}$
CMRR	Common Mode Rejection Ratio	Input Referred, DC to 60Hz		5		$\mu\text{A}/\text{V}$
CMFR	Common Mode Field Rejection	Uniform External Magnetic Field, Input Referred, DC to 1kHz			10	mA/mT
	Input Noise Density	Input Referred, Full Bandwidth		150		$\mu\text{A}/\sqrt{\text{Hz}}$
$C_{L, \text{MAX}}$	Maximum Capacitive Load	VOUT to GND		4.7		nF
	Short Circuit Output Current	VOUT short to GND, short to $V_S$		50		mA

**TMCS1126-Q1**

SBOSAF5B – APRIL 2024 – REVISED JUNE 2025

 at  $T_A = 25^\circ\text{C}$ ,  $V_S = 5\text{V}$  on TMCS1126Axx-Q1,  $V_S = 3.3\text{V}$  on TMCS1126Bxx-Q1 and TMCS1126Cxx-Q1 (unless otherwise noted)

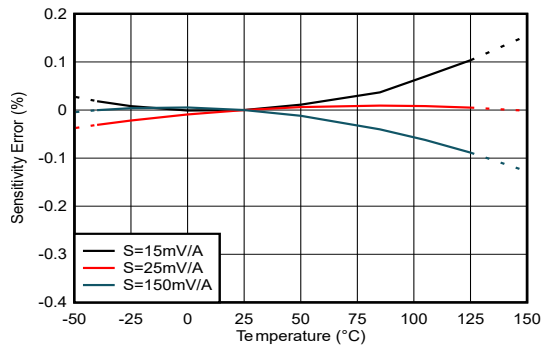
PARAMETERS		TEST CONDITIONS	MIN	TYP	MAX	UNIT
Swing <sub>V<sub>S</sub></sub>	Swing to V <sub>S</sub> Power Supply Rail	$R_L = 10\text{k}\Omega$ to GND, $T_A = -40^\circ\text{C}$ to $125^\circ\text{C}$		$V_S - 0.02$	$V_S - 0.05$	V
Swing <sub>GND</sub>	Swing to GND			5	10	mV
<b>BANDWIDTH &amp; RESPONSE</b>						
BW	Analog Bandwidth	- 3dB Gain		550		kHz
SR	Slew Rate <sup>(4)</sup>	Output rate of change between reaching 10% and 90% of final value as shown in <a href="#">Figure 7-2</a> with a 100ns input step		6		V/ $\mu\text{s}$
t <sub>r</sub>	Response Time <sup>(4)</sup>	Time between input and output reaching 90% of final values, as shown in <a href="#">Figure 7-2</a> with a 100ns input step and a 1V output transition		250		ns
t <sub>pd</sub>	Propagation Delay <sup>(4)</sup>	Time between input and output reaching 10% of final values as shown in <a href="#">Figure 7-2</a> with a 100ns input step and a 1V output transition		60		ns
	Current Overload Recovery Time			300		ns
<b>INTEGRATED REFERENCE</b>						
V <sub>REF</sub>	Reference Output Voltage: Grade A	TMCS1126AxA-Q1	2.496	2.5	2.504	V
		TMCS1126BxA-Q1	1.647	1.65	1.653	
		TMCS1126CxA-Q1	0.329	0.33	0.331	
	Reference Output Thermal Drift: Grade A	TMCS1126AxA-Q1		20	50	$\mu\text{V}/^\circ\text{C}$
		TMCS1126BxA-Q1		15	33	
		TMCS1126CxA-Q1		3	7	
	Reference Output Lifetime Drift: Grade A	TMCS1126AxA-Q1		$\pm 1.3$	$\pm 2.5$	mV
		TMCS1126BxA-Q1		$\pm 0.9$	$\pm 1.7$	
		TMCS1126CxA-Q1		$\pm 0.3$	$\pm 0.5$	
V <sub>REF</sub>	Reference Output Voltage: Grade B	TMCS1126AxB-Q1	2.49	2.5	2.51	V
		TMCS1126BxB-Q1	1.64	1.65	1.66	
		TMCS1126CxB-Q1	0.32	0.33	0.34	
	Reference Output Thermal Drift: Grade B	TMCS1126AxA-Q1		40	100	$\mu\text{V}/^\circ\text{C}$
		TMCS1126BxA-Q1		25	65	
		TMCS1126CxA-Q1		5	15	
	Reference Output Lifetime Drift: Grade B	TMCS1126AxB-Q1		$\pm 3$	$\pm 5$	mV
		TMCS1126BxB-Q1		$\pm 2$	$\pm 3.5$	
		TMCS1126CxB-Q1		$\pm 0.6$	$\pm 1$	
	Reference Output Voltage PSRR	$V_S = 3\text{V}$ to $5.5\text{V}$		80	150	$\mu\text{V}/\text{V}$
	Maximum Reference Output Capacitive Load			20		nF
	Reference Output Voltage Load Regulation	$V_{\text{REF}}$ load = -5mA, 0mA, 5mA		0.25		mV/mA
<b>OVER CURRENT DETECTION</b>						
V <sub>OC</sub>	Over Current Detection Threshold Voltage	$V_{\text{OC}} = S \times I_{\text{OC}} / 2.5$	0.3		$V_S$	V
R <sub>OC</sub>	Over Current Input Impedance		120			k $\Omega$

at  $T_A = 25^\circ\text{C}$ ,  $V_S = 5\text{V}$  on TMCS1126Axx-Q1,  $V_S = 3.3\text{V}$  on TMCS1126Bxx-Q1 and TMCS1126Cxx-Q1 (unless otherwise noted)

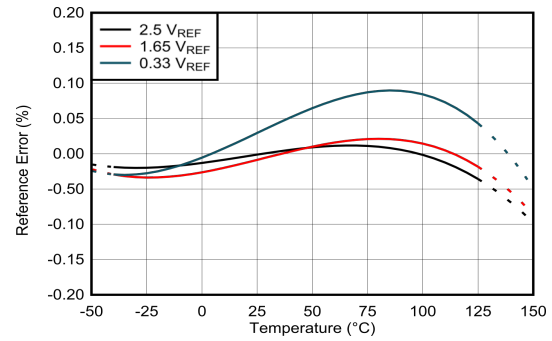
PARAMETERS		TEST CONDITIONS	MIN	TYP	MAX	UNIT
Over Current Hysteresis		TMCS1126x6x-Q1		8.4		A
		TMCS1126xDx-Q1		8.4		
		TMCS1126x1x-Q1		4.5		
		TMCS1126xCx-Q1		4.5		
		TMCS1126x7x-Q1		3.6		
		TMCS1126x9x-Q1		3.4		
		TMCS1126xBx-Q1		4.7		
		TMCS1126x8x-Q1		4.7		
		TMCS1126x2x-Q1		3.5		
		TMCS1126xAx-Q1		2.5		
		TMCS1126x3x-Q1		2.2		
		TMCS1126x4x-Q1		1.4		
		TMCS1126xEx-Q1		2.7		
		TMCS1126x5x-Q1		2.7		
	$I_{OC}$ Error	$T_A = -40^\circ\text{C}$ to $125^\circ\text{C}$		$\pm 2$	$\pm 10$	%
	Over Current Detection Response Time	$I_{IN}$ step = 120% of $I_{OC}$		100	250	ns
$t_{MASK}$	Over Current Detection MASK Time <sup>(5)</sup>	TMCS1126xx1 and TMCS1126xx2, $I_{IN}$ step = 120% of $I_{OC}$		1.25		$\mu\text{s}$
$OC_{,OL}$	OC Pin Pull-down Voltage	$I_{OL} = 3\text{mA}$ , $T_A = -40^\circ\text{C}$ to $125^\circ\text{C}$	GND	0.07	0.2	V
<b>POWER SUPPLY</b>						
$V_S$	Supply Voltage	$T_A = -40^\circ\text{C}$ to $125^\circ\text{C}$	3.0		5.5	V
$I_Q$	Quiescent Current	$T_A = 25^\circ\text{C}$		11	14	mA
		$T_A = -40^\circ\text{C}$ to $125^\circ\text{C}$			14.5	mA
	Power On Time	Time from $V_S > 3\text{V}$ to valid output		34		ms

- (1) Thermally limited by junction temperature, see [Absolute Maximum Ratings](#). Applies when device mounted on [TMCS1126xEVM](#). For more details, see the [Safe Operating Area](#) section.
- (2) Lifetime and environmental drift specifications based on three lot AEC-Q100 qualification stress test results. Typical values are population mean  $+1\sigma$  from worst case stress test condition. Maximum values are tested device population mean  $\pm 6\sigma$ . Devices tested in AEC-Q100 qualification stayed within maximum limits for all stress conditions. See [Lifetime and Environmental Stability](#) section for more details.
- (3) Refer to the [Common-Mode Transient Immunity](#) section for details on common-mode transient response.
- (4) Refer to the [Transient Response Parameters](#) section for details on transient response of the device.
- (5) Refer to the [Overcurrent Detection MASK Time](#) section for details on the overcurrent response time with MASK.

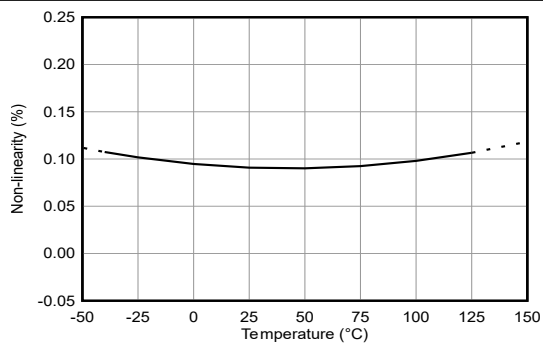
## 6.10 Typical Characteristics



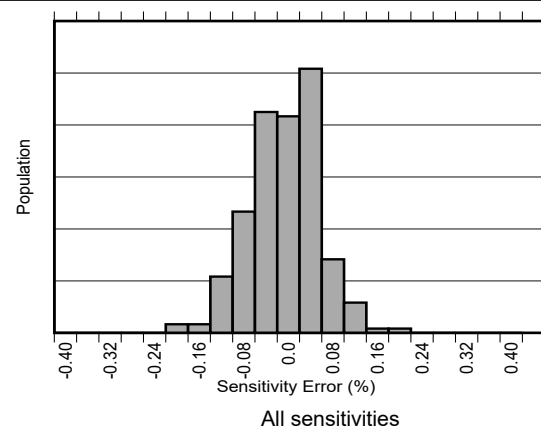
**Figure 6-1. Sensitivity Error vs Temperature**



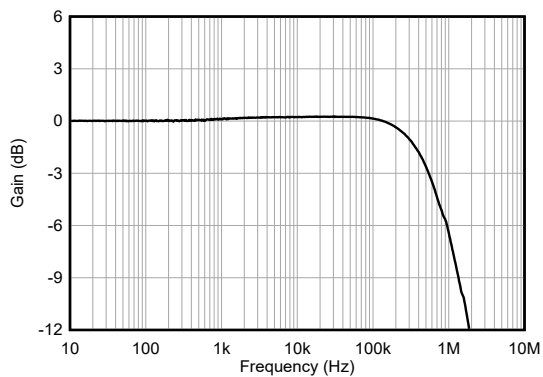
**Figure 6-2. Reference Error vs Temperature**



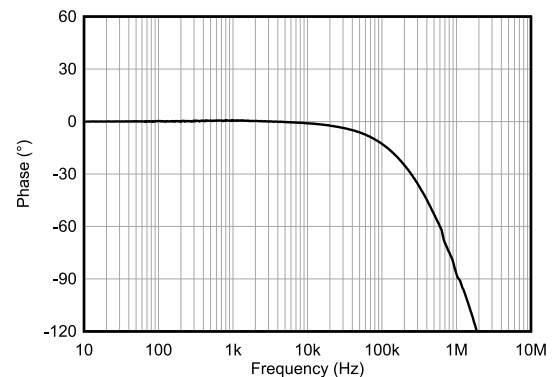
**Figure 6-3. Non-Linearity vs Temperature**



**Figure 6-4. Sensitivity Error Production Distribution: Grade A**



**Figure 6-5. Sensitivity vs Frequency, All Gains Normalized to 1Hz**



**Figure 6-6. Phase vs Frequency, All Gains**

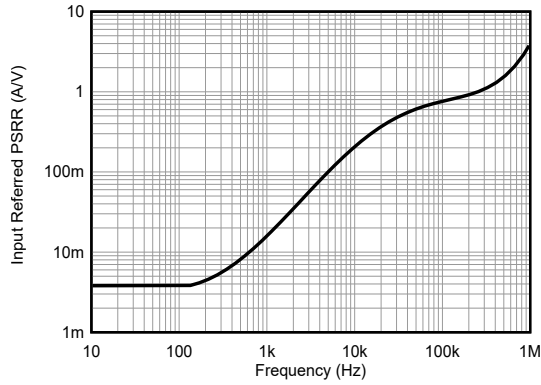


Figure 6-7. PSRR vs Frequency

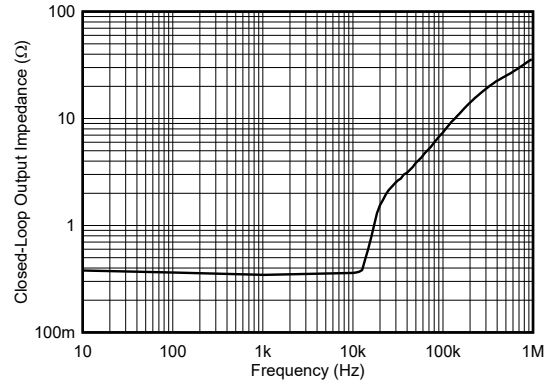


Figure 6-8. Output Impedance vs Frequency

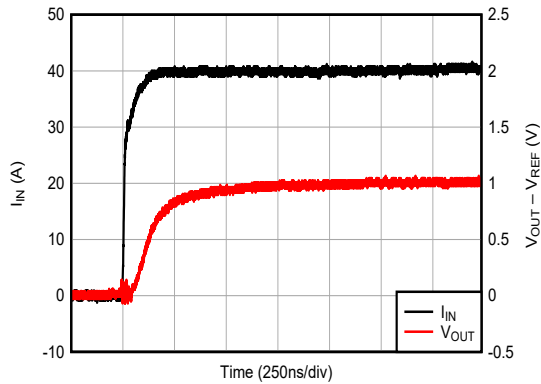


Figure 6-9. Voltage Output Step Response, Rising

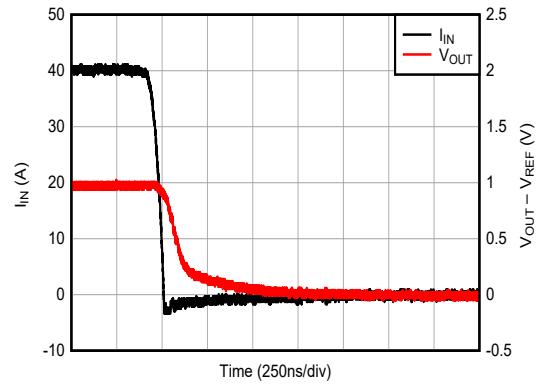


Figure 6-10. Voltage Output Step Response, Falling

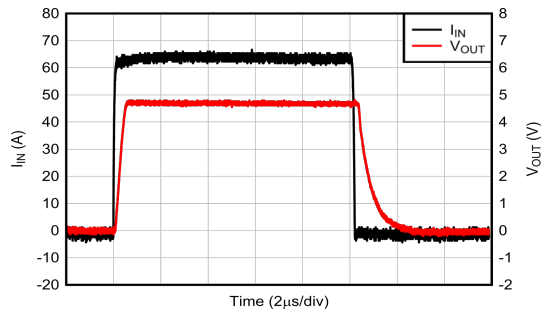


Figure 6-11. Current Overload Response

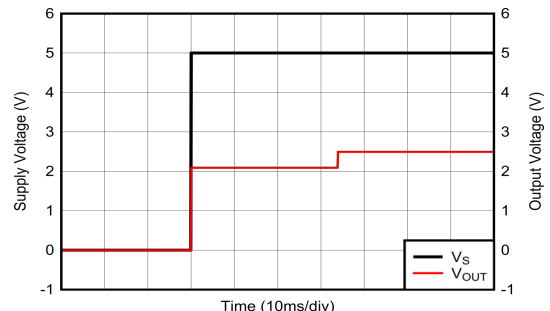


Figure 6-12. Startup Transient Response

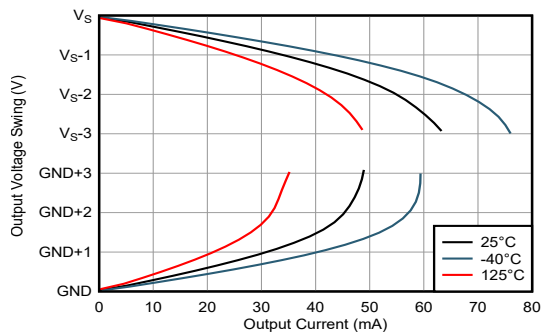


Figure 6-13. Output Swing vs Output Current

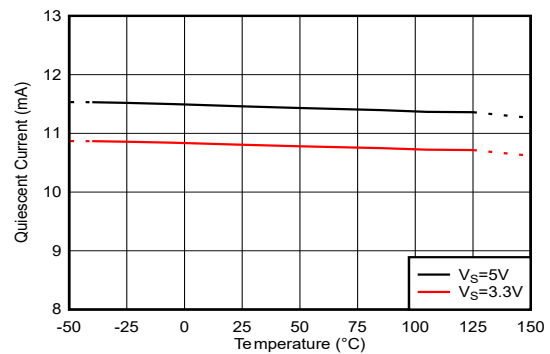
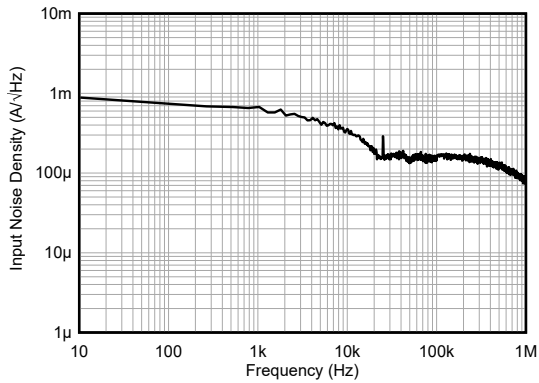
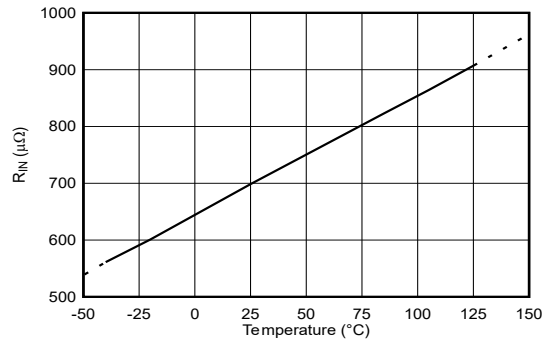


Figure 6-14. Quiescent Current vs Temperature

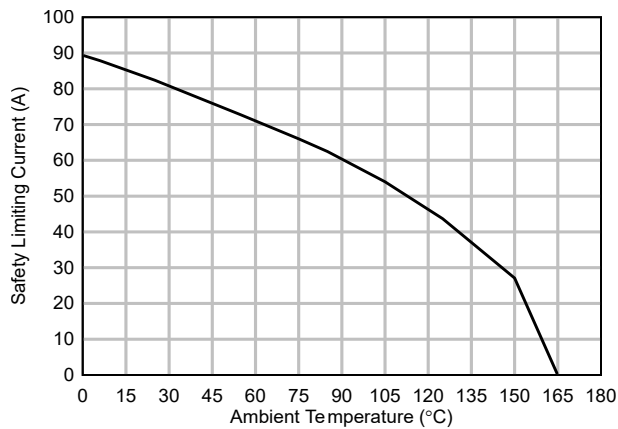


**Figure 6-15. Input-Referred Noise Density vs Frequency**

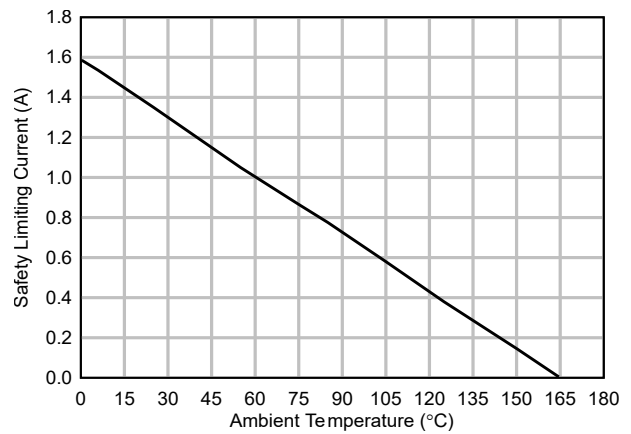


**Figure 6-16. Input Conductor Resistance vs Temperature**

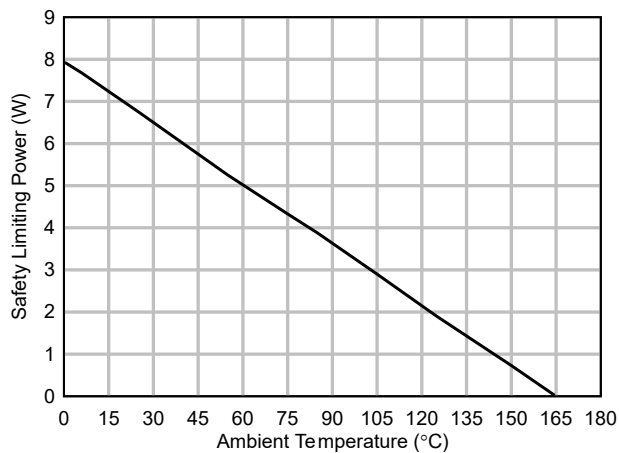
**6.10.1 Insulation Characteristics Curves**



**Figure 6-17. Thermal Derating Curve for Safety-Limiting Current, Side 1**



**Figure 6-18. Thermal Derating Curve for Safety-Limiting Current, Side 2**



**Figure 6-19. Thermal Derating Curve for Safety-Limiting Power**

## 7 Parameter Measurement Information

### 7.1 Accuracy Parameters

The ideal first-order transfer function of the TMCS1126-Q1 is given by Equation 1, where the output voltage is a linear function of input current. The accuracy of the device is quantified both by the error terms in the transfer function parameters, as well as by nonidealities that introduce additional error terms not in the simplified linear model. See [Total Error Calculation Examples](#) for example calculations of total error, including all device error terms.

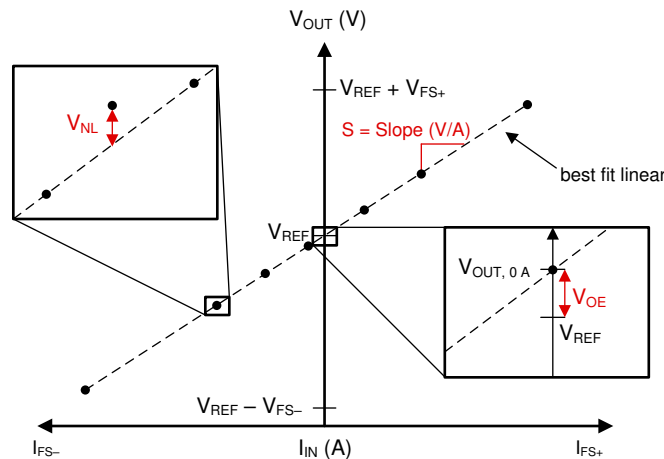
$$V_{OUT} = (I_{IN} \times S) + V_{REF} \quad (1)$$

where

- $V_{OUT}$  is the analog output voltage.
- $I_{IN}$  is the isolated input current.
- $S$  is the sensitivity of the device.
- $V_{REF}$  is the zero current reference output voltage for the device variant.

#### 7.1.1 Sensitivity Error

Sensitivity is the proportional change in the sensor output voltage due to a change in the input conductor current. This sensitivity is the slope of the first-order transfer function of the sensor (see Figure 7-1). The sensitivity of the TMCS1126-Q1 is tested and calibrated at the factory for high accuracy.



**Figure 7-1. Sensitivity, Offset, and Nonlinearity Error**

Sensitivity error  $e_S$  is the deviation from ideal sensitivity and is defined in Equation 2 as the variation of the best-fit measured sensitivity from the ideal sensitivity.

$$e_S = \frac{(S_{fit} - S_{ideal})}{S_{ideal}} \quad (2)$$

where

- $e_S$  is the sensitivity error.
- $S_{fit}$  is the best fit sensitivity.
- $S_{ideal}$  is the ideal sensitivity.

Sensitivity thermal drift  $S_{drift, therm}$  is the change in sensitivity with temperature and is reported in ppm/°C. To calculate sensitivity error at any given temperature  $T$  use Equation 3 to multiply the sensitivity thermal drift by the change in temperature from 25°C and add that value to the sensitivity error at 25°C.

$$e_{S, \Delta T} = e_{S, 25^\circ C} + (S_{drift, therm} \times \Delta T) \quad (3)$$

where

- $S_{\text{drift,therm}}$  is the sensitivity drift over temperature in ppm/°C.
- $\Delta T$  is the change in device temperature from 25°C.

Sensitivity lifetime drift  $S_{\text{drift,life}}$  is the change in sensitivity due to operational and environmental stresses over the entire lifetime of the device, and is reported as a worst-case percentage change in sensitivity over lifetime at 25°C.

### 7.1.2 Offset Error and Offset Error Drift

Offset error is the deviation from the ideal output with zero input current and most often limits measurement accuracy at low input current levels. Offset error can be referred to the output as offset voltage error or referred to the input as offset current error. When divided by device sensitivity,  $S$ , output voltage offset error  $V_{\text{OE}}$  is input referred as input current offset error  $I_{\text{OS}}$  (see Equation 4). Offset error referred to the input (RTI) allows for more direct comparisons or offset error with input current. Regardless of whether offset error is referred to the input as current offset error  $I_{\text{OS}}$ , or to the output as voltage offset error  $V_{\text{OE}}$ , offset error is a single error source and must only be included once in either input-referred or output-referred error calculations.

$$I_{\text{OS}} = \frac{V_{\text{OE}}}{S} \quad (4)$$

As shown in Figure 7-1, the output voltage offset error  $V_{\text{OE}}$  of the TMCS1126-Q1 is the difference between the zero current output voltage  $V_{\text{OUT,0A}}$  and the zero current output reference voltage  $V_{\text{REF}}$  (see Equation 5).

$$V_{\text{OE}} = V_{\text{OUT,0A}} - V_{\text{REF}} \quad (5)$$

The output offset error  $V_{\text{OE}}$  includes magnetic offset error in the Hall sensor and offset voltage error in the signal chain. The internal zero current output reference voltage is brought out to pin VREF so that errors in the internal reference voltage as well as errors introduced at the system level can be removed.

Offset drift is the change in the offset as a function of temperature  $T$ . Output offset drift is reported in  $\mu\text{V}/^\circ\text{C}$ . To calculate offset error at any given temperature, multiply the offset drift by the change in temperature and add that value to the offset error at 25°C (see Equation 6).

$$V_{\text{OE},\Delta T} = V_{\text{OE},25^\circ\text{C}} + (V_{\text{OE,drift}} \times \Delta T) \quad (6)$$

where

- $V_{\text{OE,drift}}$  is the output voltage offset drift with temperature in  $\mu\text{V}/^\circ\text{C}$ .
- $\Delta T$  is the change in device temperature from 25°C.

### 7.1.3 Nonlinearity Error

Nonlinearity is the deviation of the output voltage from a linear relationship to the input current. Nonlinearity voltage, as shown in Figure 7-1, is the maximum voltage deviation from the best-fit line based on measured parameters (see Equation 7).

$$V_{\text{NL}} = V_{\text{OUT,meas}} - [(I_{\text{meas}} \times S_{\text{fit}}) + V_{\text{OUT,0A}}] \quad (7)$$

where

- $V_{\text{OUT,meas}}$  is the voltage output at maximum deviation from best fit.
- $I_{\text{meas}}$  is the input current at maximum deviation from best fit.
- $S_{\text{fit}}$  is the best-fit sensitivity of the device.
- $V_{\text{OUT,0A}}$  is the device zero current output voltage.

Nonlinearity error for the TMCS1126-Q1 is specified as a percentage of the full-scale output range,  $V_{FS}$  (see Equation 8).

$$e_{NL} = \frac{V_{NL}}{V_{FS}} \quad (8)$$

#### 7.1.4 Power Supply Rejection Ratio

Power supply rejection ratio (PSRR) is the change in device offset due to variations in supply voltage. Use Equation 9 to calculate input referred offset errors caused by supply variations on TMCS1126Axx-Q1 variants. Use Equation 10 to calculate input referred offset errors caused by supply variations on TMCS1126Bxx-Q1 and TMCS1126Cxx-Q1 variants.

$$e_{PSRR,A} = PSRR \times (V_S - 5V) \quad (9)$$

$$e_{PSRR,B} = e_{PSRR,C} = PSRR \times (V_S - 3.3V) \quad (10)$$

where

- PSRR is the input referred power supply rejection ratio in mA/V.
- $V_S$  is the operational supply voltage.

#### 7.1.5 Common-Mode Rejection Ratio

Common-mode rejection ratio (CMRR) quantifies the effective input current error due to varying voltage on the isolated input of the device. Due to magnetic coupling and galvanic isolation of the current signal, the TMCS1126-Q1 has very high rejection of input common-mode voltage. Use Equation 11 to calculate the error contribution from the input common-mode voltage  $V_{CM}$ .

$$e_{CMRR} = CMRR \times V_{CM} \quad (11)$$

where

- CMRR is the input-referred common-mode rejection in  $\mu A/V$ .
- $V_{CM}$  is the operational AC or DC voltage on the input of the device.

#### 7.1.6 External Magnetic Field Errors

The TMCS1126-Q1 suppresses interference from external magnetic fields generated by adjacent high-current carrying conductors, nearby motors, magnets, or any other sources of stray magnetic fields. Common-mode field rejection (CMFR) quantifies the effective input-referred error caused by stray magnetic fields. Use Equation 12 to calculate error contributions from stray external magnetic fields  $B_{EXT}$ .

$$e_{B_{ext}} = B_{EXT} \times CMFR \quad (12)$$

where

- $B_{EXT}$  is the intensity of the external magnetic field in mT.
- CMRF is the common-mode field rejection in mA/mT.

## 7.2 Transient Response Parameters

Critical TMCS1126-Q1 transient step response parameters are shown in Figure 7-2. Propagation delay,  $t_{pd}$ , is the time period between the input current waveform reaching 10% of the final value and the output voltage,  $V_{OUT}$ , reaching 10% of the final value. Response time,  $t_r$ , is the time period between the input current reaching 90% of the final value and the output voltage reaching 90% of the final value, for an input current step sufficient to cause a 1V change in the output voltage. Slew rate, SR, is defined as the rate of change between the output voltage reaching 10% and 90% of the final value during the sufficiently fast input current step.

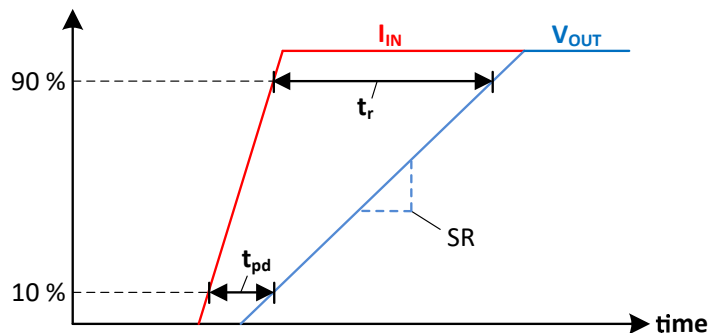


Figure 7-2. Transient Step Response

### 7.2.1 CMTI, Common-Mode Transient Immunity

CMTI is the capability of the device to tolerate a rising or falling voltage step on the input without coupling significant disturbance on the output signal. The device is specified for the maximum common-mode transition rate when the output signal does not experience a disturbance greater than 200mV lasting longer than 1 $\mu$ s, as shown in Figure 7-3 with a 150kV/ $\mu$ s common-mode input step. Higher edge rates than the specified CMTI can be supported with sufficient filtering or blanking time after common-mode transitions.

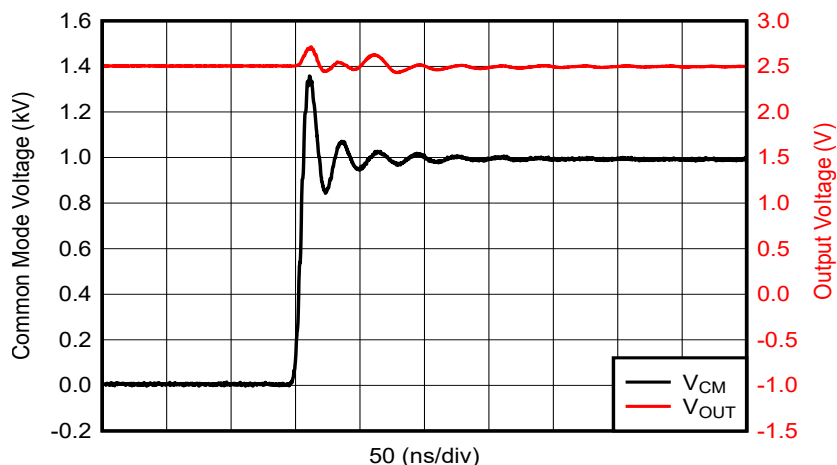


Figure 7-3. Common-Mode Transient Response

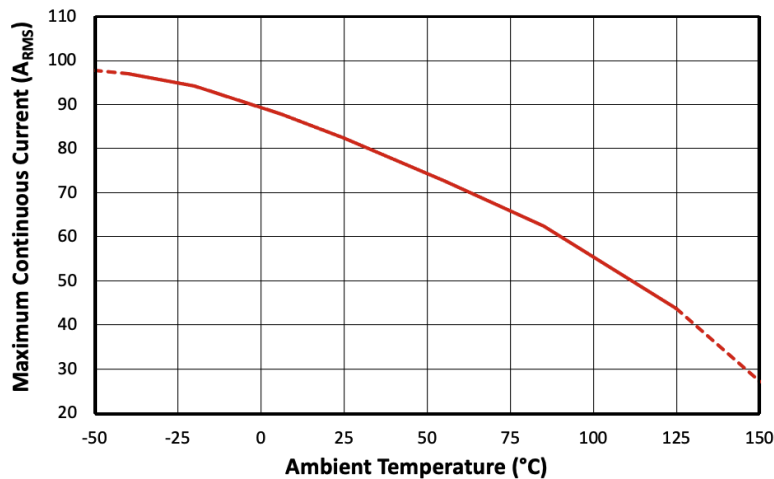
### 7.3 Safe Operating Area

The isolated input current safe operating area (SOA) of the TMCS1126-Q1 is constrained by self-heating due to power dissipation in the input conductor. Depending upon the use case, the SOA is constrained by multiple conditions, including exceeding maximum junction temperature, Joule heating in the leadframe, or leadframe fusing under extremely high currents. These mechanisms depend greatly on input current amplitude and duration, along with ambient thermal conditions.

Current SOA strongly depends on the thermal environment and design of the system-level printed circuit board (PCB). Multiple thermal variables control the transfer of heat from the device to the surrounding environment, including air flow, ambient temperature, and PCB construction and design. All ratings are for a single TMCS1126-Q1 device mounted on the [TMCS1126xEVM](#), or equivalent PCB design with no air flow under specified ambient temperature conditions. Device use profiles must satisfy continuous current conduction SOA capabilities for the thermal environment planned for system operation.

#### 7.3.1 Continuous DC or Sinusoidal AC Current

The longest thermal time constants of device packaging and PCBs are in the order of seconds; therefore, any continuous DC or sinusoidal AC periodic waveform with a frequency higher than 1Hz can be evaluated based on the RMS continuous-current levels. The continuous-current capability has a strong dependence upon the operating ambient temperature range expected in operation. [Figure 7-4](#) shows the maximum continuous current-handling capability of the device when mounted on the [TMCS1126xEVM](#). Current capability falls off at higher ambient temperatures because of the reduced thermal transfer from junction-to-ambient and increased power dissipation in the leadframe. By improving the thermal design of an application, the SOA can be extended to higher currents at elevated temperatures. Using larger and heavier copper power planes, providing air flow over the board, or adding heat sinking structures to the area of the device can all improve thermal performance.



**Figure 7-4. Maximum Continuous RMS Current vs Ambient Temperature**

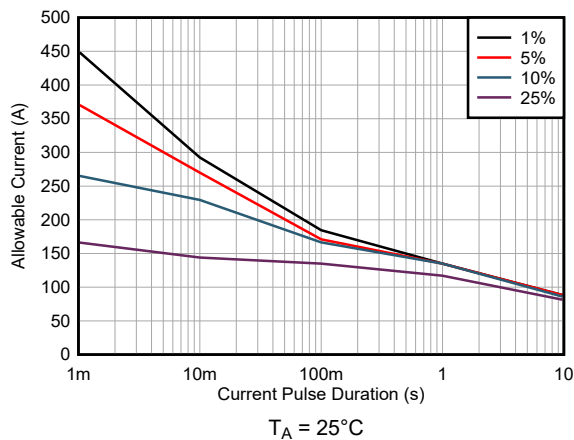
### 7.3.2 Repetitive Pulsed Current SOA

For applications where current is pulsed between a high current and no current, the allowable capabilities are limited by short-duration heating in the leadframe. The TMCS1126-Q1 can tolerate higher current ranges under some conditions, however, for repetitive pulsed events, the current levels must satisfy both the pulsed current SOA and the RMS continuous current constraint. Pulse duration, duty cycle, and ambient temperature all impact the SOA for repetitive pulsed events. Figure 7-5, Figure 7-6, Figure 7-7, and Figure 7-8 illustrate repetitive stress levels based on test results from the *TMCS1126xEVM* under which parametric performance and isolation integrity is not impacted post-stress for multiple ambient temperatures. At high duty cycles or long pulse durations, this limit approaches the continuous current SOA for a RMS value defined by Equation 13.

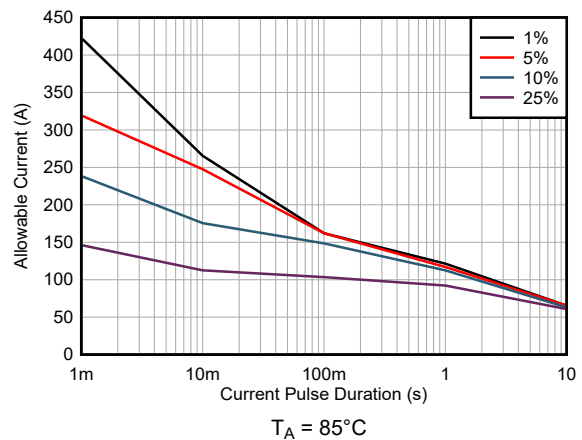
$$I_{IN, RMS} = I_{IN, P} \times \sqrt{D} \tag{13}$$

where

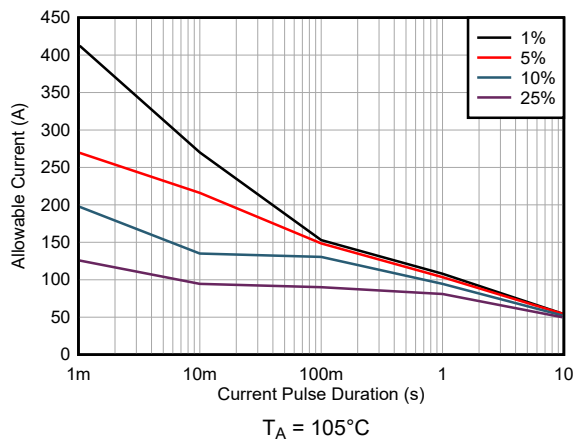
- $I_{IN,RMS}$  is the RMS input current level
- $I_{IN,P}$  is the pulse peak input current
- $D$  is the pulse duty cycle



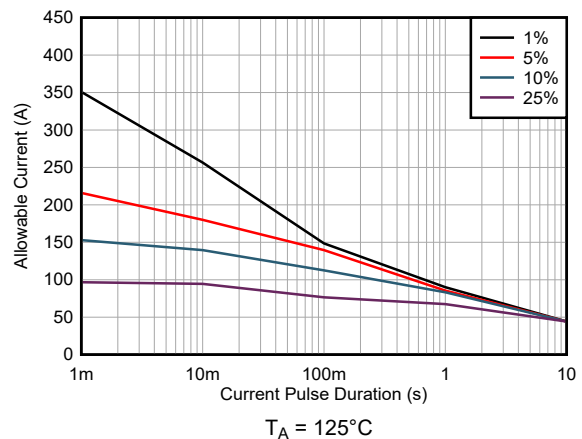
**Figure 7-5. Maximum Repetitive Pulsed Current vs. Pulse Duration**



**Figure 7-6. Maximum Repetitive Pulsed Current vs. Pulse Duration**



**Figure 7-7. Maximum Repetitive Pulsed Current vs. Pulse Duration**



**Figure 7-8. Maximum Repetitive Pulsed Current vs. Pulse Duration**

### 7.3.3 Single Event Current Capability

Single higher-current events that are shorter duration can be tolerated by the TMCS1126-Q1, because the junction temperature does not reach thermal equilibrium within the pulse duration. Figure 7-9 shows the short-circuit duration curve for the device for single current-pulse events, where the leadframe resistance changes after stress. This level is reached before a leadframe fusing event, but must be considered an upper limit for short duration SOA. For long-duration pulses, the current capability approaches the continuous RMS limit at the given ambient temperature.

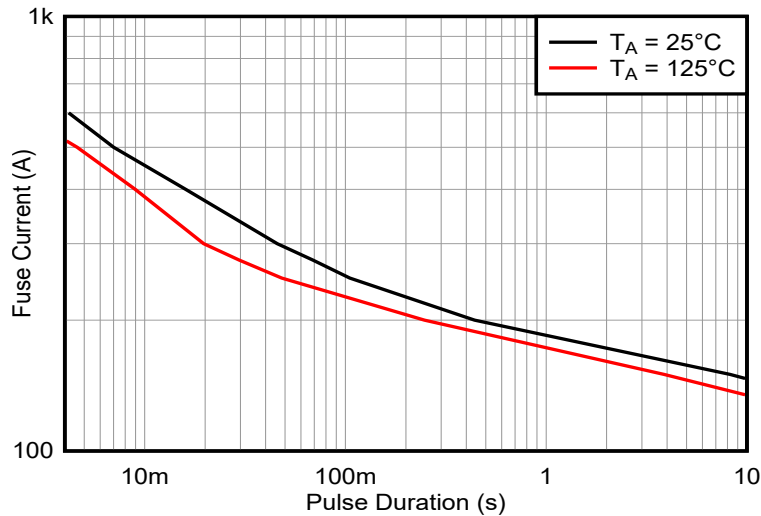


Figure 7-9. Single-Pulse Leadframe Capability

## 8 Detailed Description

### 8.1 Overview

The TMCS1126-Q1 is a precision Hall-effect current sensor, providing high levels of reliable reinforced isolation working voltage, ambient field rejection and high current carrying capability. A maximum total lifetime error of less than 1.4% can be achieved with no system level calibration, or less than 1% maximum total error can be achieved with a one-time room temperature calibration (including both temperature and lifetime drift). Numerous device options are provided for both unidirectional and bidirectional current measurements. The input current flows through a conductor between the isolated input current pins. The conductor has a  $0.7\text{m}\Omega$  resistance at room temperature and accommodates up to  $44\text{A}_{\text{RMS}}$  of continuous current at  $125^\circ\text{C}$  ambient temperature when used with printed circuit boards of comparable thermal design, such as the [TMCS1126xEVM](#). The low-ohmic leadframe path reduces power dissipation compared to alternative current measurement methodologies, and does not require any external passive components, isolated supplies, or control signals on the high-voltage side. The magnetic field generated by the input current is sensed by a Hall sensor and amplified by a precision signal chain. The device can be used for both AC and DC current measurements and has a bandwidth of 500kHz. There are multiple fixed-sensitivity device options to choose from, providing a wide variety of bidirectional linear current sensing ranges from  $\pm 10\text{A}$  to  $\pm 103\text{A}$ , as well as unidirectional linear current sensing ranges from 19A to 183A. The TMCS1126-Q1 can operate with a low voltage supply ranging from 3V to 5.5V, and is optimized for high accuracy and temperature stability, with both offset and sensitivity compensated across the entire operating temperature range.

## 8.2 Functional Block Diagram

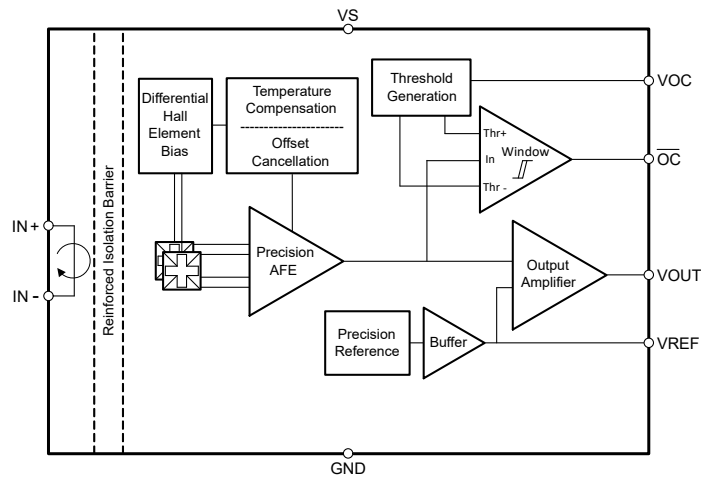


Figure 8-1. Function Block Diagram

## 8.3 Feature Description

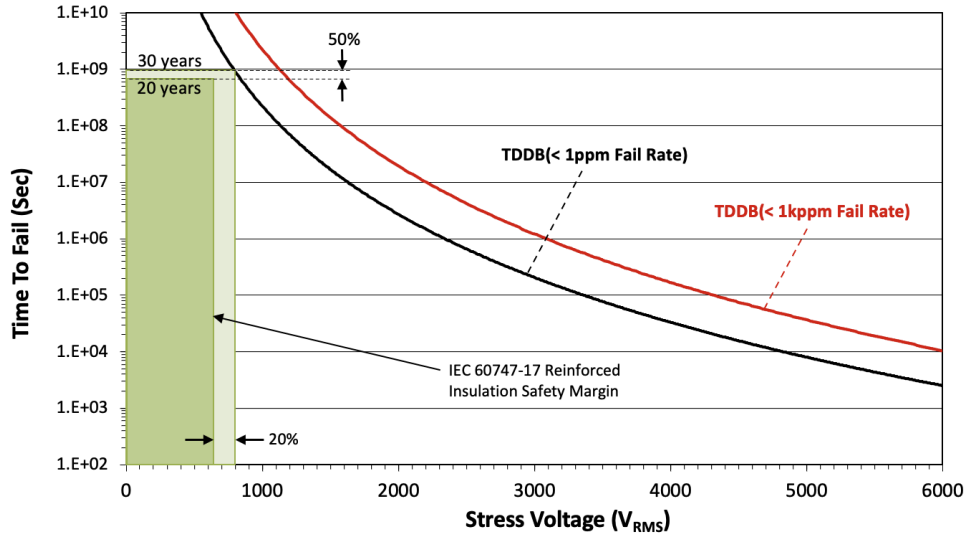
### 8.3.1 Current Input

Input current to the TMCS1126-Q1 passes through the isolated high-voltage side of the package leadframe into and out of the IN+ and IN– pins. The current flowing through the package generates a magnetic field that is proportional to the input current, which is measured by an integrated on-chip galvanically-isolated, precision Hall sensor. As a result of the electrostatic shielding on the Hall sensor die, only the magnetic field generated by the input current is measured, thus limiting input voltage switching pass-through to the circuitry. This configuration allows for direct measurement of currents with high-voltage transients without signal distortion on the current-sensor output. The leadframe conductor has a low resistance and a positive temperature coefficient as defined in [Electrical Characteristics](#).

### 8.3.2 Input Isolation

The separation between the input conductor and the Hall sensor die due to the TMCS1126-Q1 construction provides inherent galvanic isolation between package pins 1 and 2 on the high-voltage input side, and package pins 3 through 10 on the low-voltage output side. Insulation capability is defined according to certification agency definitions and using industry-standard test methods as defined in [Section 6.6](#). Assessment of device lifetime working voltages follow the IEC 60747-17 standard for basic and reinforced insulation, requiring time-dependent dielectric breakdown (TDDB) data-projection are based on projected failure rates of less than 1 part per million (ppm) for reinforced insulation and less than 1000ppm for basic insulation, and a minimum insulation lifetime of 30 years. For reinforced insulation, the IEC 60747-17 standard also requires additional safety margins of 20% for working voltage, and 50% for insulation lifetime, translating into a minimum required lifetime of 30 years at 800V<sub>RMS</sub> for the TMCS1126-Q1 .

[Figure 8-2](#) shows the intrinsic capability of the isolation barrier to withstand high-voltage stress over the lifetime of the device. Based on the TDDB data, the intrinsic capability of these devices is 670V<sub>RMS</sub> with a lifetime > 20 years. Other factors such as operating environment and pollution degree can further limit the working voltage of the component in an end system.



**Figure 8-2. Insulation Lifetime**

### 8.3.3 Ambient Field Rejection

The TMCS1126-Q1 is designed to provide high levels of current measurement accuracy in harsh environments. Immunity to interference from stray magnetic fields allows for use in close proximity to high current carrying traces, motor windings, inductors, or any other erroneous source of stray magnetic fields. The TMCS1126-Q1 incorporates differential Hall sensors that are strategically located and configured to reject interference from stray external magnetic fields. Ambient Field Rejection (AFR) limited only by Hall element matching and package leadframe coupling reduces errors from stray magnetic fields.

### 8.3.4 High-Precision Signal Chain

The TMCS1126-Q1 uses a precision, low-drift signal chain with proprietary sensor linearization techniques to provide a highly accurate and stable current measurement across the full temperature range and lifetime of the device. The device is fully tested and calibrated at the factory to account for any variations in either silicon processing, assembly, or packaging of the device. The full signal chain provides a fixed sensitivity voltage output that is proportional to the current flowing through the leadframe of the isolated input.

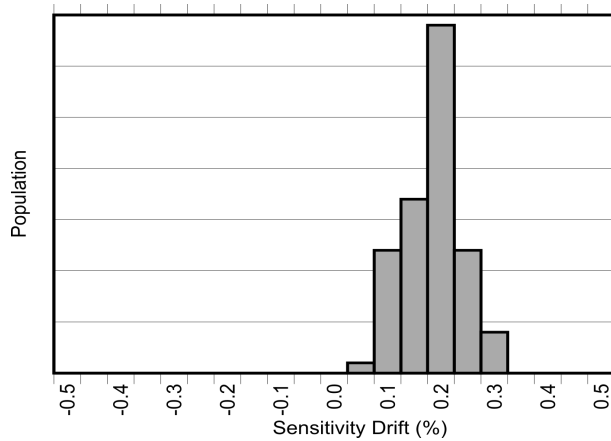
#### 8.3.4.1 Temperature Stability

The TMCS1126-Q1 includes a proprietary temperature compensation technique which results in significantly improved parametric drift across the full temperature range. This compensation technique accounts for changes in ambient temperature, self-heating, and package stress. A zero-drift signal chain architecture along with Hall sensor temperature compensation methods enable stable sensitivity while minimizing offset errors across temperature. System-level performance is drastically improved across required operating conditions.

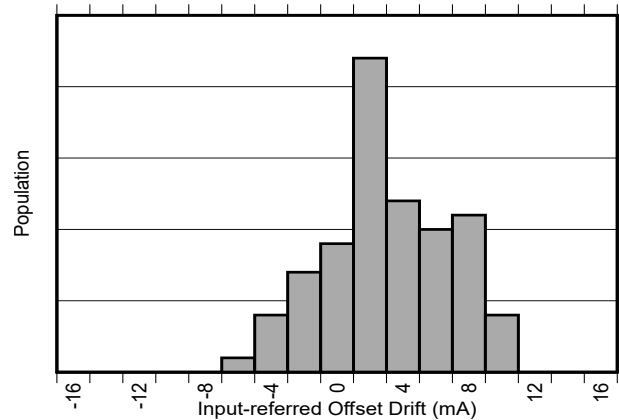
#### 8.3.4.2 Lifetime and Environmental Stability

In addition to large thermal drift, typical magnetic current sensors suffer an additional 2% to 3% drift in sensitivity due to aging over the lifetime of the device. The same proprietary compensation techniques used in the TMCS1126-Q1 to reduce temperature drift are also used to greatly reduce lifetime drift due to aging from stress and environmental conditions especially at high operating temperatures. As shown in the [Electrical Characteristics](#), the TMCS1126-Q1 has industry leading lifetime sensitivity drift realized after Highly Accelerated Stress Tests (HAST) at 130°C and 85% relative humidity (RH) during standard three lot AEC-Q100 qualifications. Low sensitivity and offset drift within the bounds specified in the [Electrical Characteristics](#) are also observed after 1000 hour, 125°C high temperature operating life stress tests are performed as prescribed by AEC-Q100 qualifications. These tests mimic typical device lifetime operation, and show device performance variation due to aging is vastly improved compared with typical magnetic current sensors. [Figure 8-3](#) and [Figure 8-4](#) show the sensitivity and offset drift after a 1000 hour, 125°C high temperature operating life stress test as specified by AEC-Q100. Device operational performance varies over the lifetime of the device. This test mimics

typical device lifetime operations and shows the likelihood of the device vastly improving performance compared to typical magnetic sensors.



**Figure 8-3. Sensitivity Error Drift After AEC-Q100 High Temperature Operating Life Stress Test**



**Figure 8-4. Input-Referred Offset Drift After AEC-Q100 High Temperature Operating Life Stress Test**

### 8.3.5 Internal Reference Voltage

The TMCS1126-Q1 has a precision internal reference that determines the zero current output voltage,  $V_{OUT,0A}$ . Overall current sensing dynamic range can be optimized by choosing either of the three different zero current output voltage options listed in the [Device Comparison](#) table. These extremely low-drift precision zero current reference options are listed in [Equation 14](#), [Equation 15](#) and [Equation 16](#). These equations are for precise bidirectional or unidirectional current measurements using various supply voltages ranging between 3.0V to 5.5V.

$$TMCS11xxAxx-Q1 \rightarrow V_{OUT,0A} = V_{REF} = 2.5V \tag{14}$$

$$TMCS1126Bxx-Q1 \rightarrow V_{OUT,0A} = V_{REF} = 1.65V \tag{15}$$

$$TMCS1126Cxx-Q1 \rightarrow V_{OUT,0A} = V_{REF} = 0.33V \tag{16}$$

### 8.3.6 Current-Sensing Measurable Ranges

The zero current reference voltage,  $V_{REF}$ , along with device sensitivity,  $S$ , and supply voltage,  $V_S$ , determine the TMCS1126-Q1 linear input current measurement ranges listed in the [Device Comparison](#) table. The maximum linear output voltage,  $V_{OUT,max}$ , is limited to 100mV less than the supply voltage as shown in [Equation 17](#). The minimum linear output voltage,  $V_{OUT,min}$ , is limited to 100mV above ground as shown in [Equation 18](#).

$$V_{OUT,max} = V_S - 100mV \tag{17}$$

$$V_{OUT,min} = 100mV \tag{18}$$

Overall maximum dynamic range can be optimized with proper device selection by referring minimum and maximum linear output voltage swing to minimum and maximum linear input current range by dividing output voltage by sensitivity,  $S$  (see [Equation 19](#) and [Equation 20](#)).

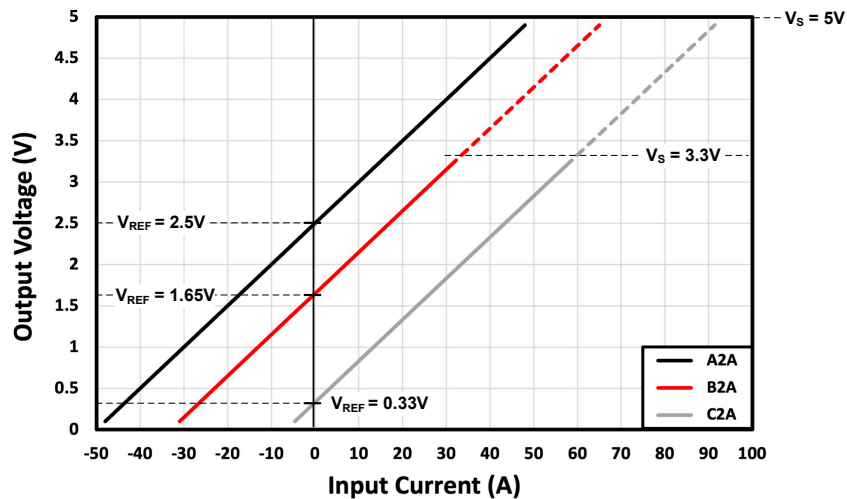
$$I_{IN,max+} = \frac{(V_{OUT,max} - V_{OUT,0A})}{S} \tag{19}$$

$$I_{IN,max-} = \frac{(V_{OUT,0A} - V_{OUT,min})}{S} \tag{20}$$

where

- $I_{IN,max+}$  is the maximum linear measurable positive input current.
- $I_{IN,max-}$  is the maximum linear measurable negative input current.
- $S$  is the sensitivity of the device variant.
- $V_{OUT,0A}$  is the appropriate zero current output voltage.

As examples for determining linear input current measurement range, consider TMCS11xxA2A-Q1, TMCS11xxB2A-Q1, and TMCS11xxC2A-Q1 devices, all with 50mV/A sensitivity as shown in the [Device Comparison](#) table. When used with a 5V supply, the TMCS11xxA2A-Q1 has a balanced  $\pm 48A$  bidirectional linear current measurement range about the 2.5V zero current output reference voltage,  $V_{REF}$ , as shown in [Figure 8-5](#). When used with a 3.3V supply, the TMCS11xxB2A-Q1 has a balanced  $\pm 31A$  bidirectional linear current measurement range about the 1.65V zero current output reference voltage. If used with a 5V supply, the linear current measurement range of the TMCS11xxB2A-Q1 can be extended from  $-31A$  to 65A as shown in [Figure 8-5](#). The TMCS11xxC2A-Q1 with a 0.33V zero current reference voltage is intended for measuring unidirectional currents. When used with a 3.3V supply the TMCS11xxC2A-Q1 has a unidirectional linear current measurement range from  $-5A$  to 57A which can be extended from  $-5A$  to 91.4A when used with a 5V supply.



**Figure 8-5. Output Voltage Relationship to Input Current for TMCS11xxx2A-Q1**

### 8.3.7 Overcurrent Detection

In addition to the precision analog signal, the TMCS1126-Q1 also offers a fast digital overcurrent detection response. The Overcurrent Detection (OCD) circuit provides an open-drain comparator output that can be used to trigger a warning or initiate a system shutdown to prevent damage from excessive current flow caused by short circuits, motor stalls, or other unintended system conditions. This fast digital response can be configured on both bidirectional and unidirectional devices to assert based on a signal that is anywhere from half to over twice the full-scale analog measurement range.

Use of this fast digital output  $\overline{OC}$  instead of the precision analog output  $V_{OUT}$  to detect overcurrent events outside the nominal operating current range allows for higher dynamic range with higher sensitivity optimized for the nominal operating current range. Use of this fast digital output  $\overline{OC}$  also allows for lower overall signal noise from lower analog signal bandwidth than often needed when using the analog signal chain to detect fast overcurrent events.

#### 8.3.7.1 Setting The User Configurable Overcurrent Threshold

The desired overcurrent threshold,  $I_{OC}$ , is set by applying an external voltage,  $V_{OC}$ , to the VOC pin according to [Equation 21](#).

$$V_{OC} = \frac{S \times I_{OC}}{2.5} \quad (21)$$

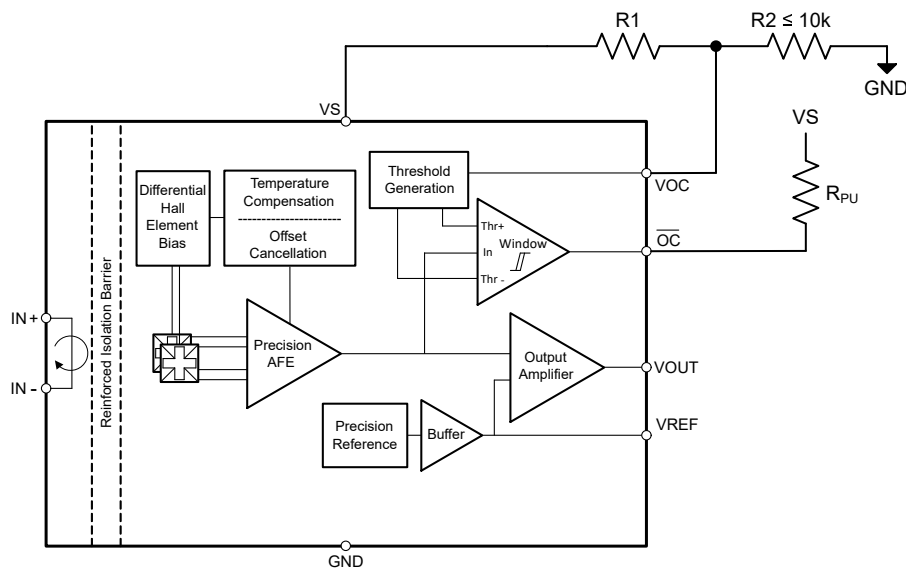
where

- $S$  is the device sensitivity in V/A.
- $I_{OC}$  is the desired overcurrent threshold in A.
- $V_{OC}$  is the voltage applied that sets the overcurrent threshold in V.

An example of how to set the desired overcurrent threshold,  $I_{OC}$ , is shown in [Section 8.3.7.1.3](#). Regardless of which TMCS1126-Q1 sensitivity variant is chosen or which zero current output voltage option is selected, [Equation 21](#) applies when calculating overcurrent threshold voltage  $V_{OC}$ . A digital-to-analog converter (DAC) can be used to set the desired overcurrent threshold  $I_{OC}$ , or a simple external resistor divider circuit can be used as shown in [Section 8.3.7.1.1](#) or [Section 8.3.7.1.2](#).

#### 8.3.7.1.1 Setting Overcurrent Threshold Using Power Supply Voltage

A simple external resistor divider driven from the power supply as shown in [Figure 8-6](#) can be used to generate the external overcurrent voltage  $V_{OC}$  applied to the VOC pin to set the desired overcurrent threshold  $I_{OC}$  according to [Equation 21](#).

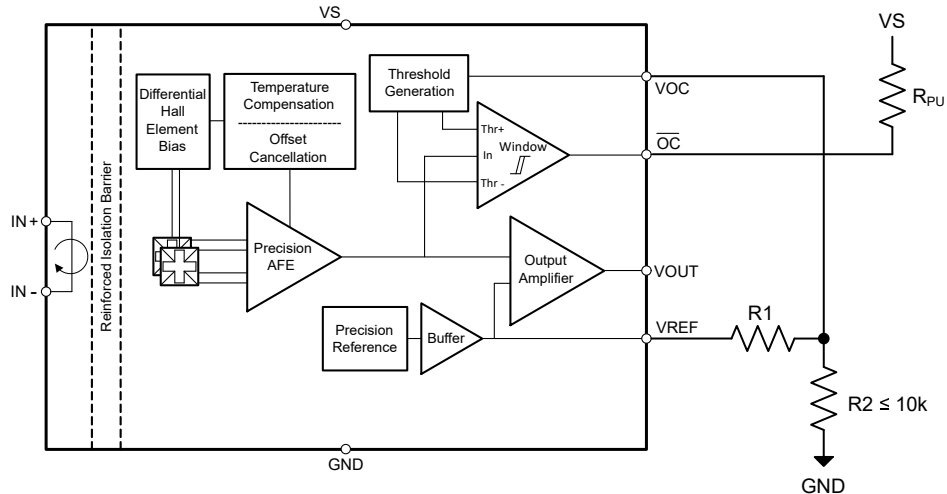


**Figure 8-6. User Configurable Overcurrent Threshold Using Power Supply Voltage**

When using a resistor divider as shown in [Figure 8-6](#),  $R2$  must be less than  $10k\Omega$  to mitigate the impact of the VOC input impedance on overcurrent threshold accuracy.

#### 8.3.7.1.2 Setting Overcurrent Threshold Using Internal Reference Voltage

Higher overcurrent threshold accuracy can be achieved by using the zero current output reference voltage  $V_{REF}$  as shown in [Figure 8-7](#) to generate the external overcurrent voltage  $V_{OC}$  required to set the desired overcurrent threshold  $I_{OC}$  according to [Equation 21](#).



**Figure 8-7. User Configurable Overcurrent Threshold Using Zero Current Output Reference Voltage**

When using a resistor divider as shown in [Figure 8-7](#), R2 must be less than 10kΩ to mitigate the impact of the VOC input impedance on overcurrent threshold accuracy.

#### 8.3.7.1.3 Setting Overcurrent Threshold Example

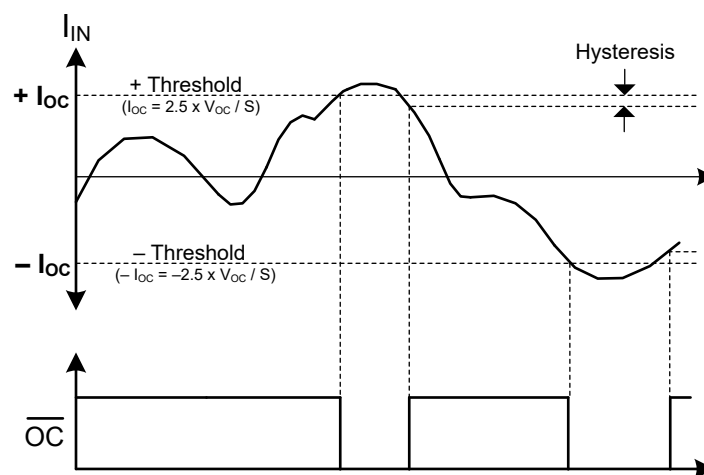
For example, to set a desired overcurrent threshold to  $I_{OC} = \pm 50A$  on bidirectional TMCS1126A3A-Q1 or TMCS1126B3A-Q1 devices with  $\pm 32A$  linear measurement range, as well as on the unidirectional TMCS1126C3A-Q1 device, size the resistors R1 and R2 to apply a voltage  $V_{OC} = 1.5V$  to the VOC pin according to [Equation 21](#).

with

- TMCS1126A3A-Q1, TMCS1126B3A-Q1 and TMCS1126C3A-Q1 device sensitivity,  $S = 0.075V/A$ .
- Desired overcurrent threshold,  $I_{OC} = \pm 50A$ .
- Applied overcurrent threshold voltage  $V_{OC} = 1.5V$ .

#### 8.3.7.2 Overcurrent Output Response

[Figure 8-8](#) shows the active-low overcurrent digital output  $\overline{OC}$  response to bidirectional overcurrent events. When the input current exceeds  $|I_{OC}|$  on a bidirectional device, the fast  $\overline{OC}$  pin is pulled low. The input current must return to within  $\pm I_{OC}$  by more than a hysteresis current  $I_{Hys}$  before the  $\overline{OC}$  pin resets back to the normal high-state.



**Figure 8-8. Overcurrent Output Response**

### 8.3.7.3 Overcurrent Detection MASK Time

Inadvertent overcurrent interrupts due to noise or interference can be prevented with use of an overcurrent output masking feature. The TMCS1126xx1-Q1 or TMCS1126xx2-Q1 overcurrent output  $\overline{OC}$  responds only to sustained overcurrent events that last longer than the masking time  $t_{\text{MASK}}$  and does not respond to overcurrent events that are shorter than  $t_{\text{MASK}}$  as shown in Figure 8-9 and specified in the [Electrical Characteristics](#) table.

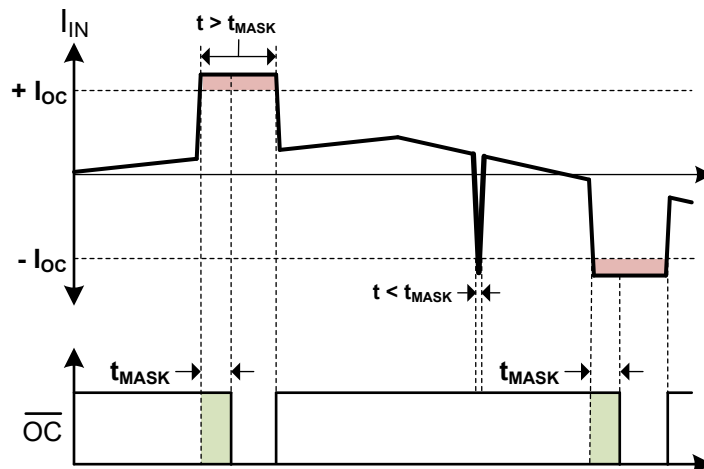


Figure 8-9. Overcurrent Detection MASK Diagram

## 8.4 Device Functional Modes

### 8.4.1 Power-Down Behavior

As a result of the inherent galvanic isolation of the device, very little consideration must be paid to powering down the device, as long as the limits in the [Absolute Maximum Ratings](#) table are not exceeded on any pins. The isolated current input and the low-voltage signal chain can be decoupled in operational behavior, as either can be energized with the other shutdown, as long as the isolation barrier capabilities are not exceeded. The low-voltage power supply can be powered down while the isolated input is still connected to an active high-voltage signal or system.

## 9 Application and Implementation

### Note

Information in the following applications sections is not part of the TI component specification, and TI does not warrant its accuracy or completeness. TI's customers are responsible for determining suitability of components for their purposes, as well as validating and testing their design implementation to confirm system functionality.

### 9.1 Application Information

The key feature sets of the TMCS1126-Q1 provide significant advantages in any application where an isolated current measurement is required.

- Galvanic isolation provides a high isolated working voltage and excellent immunity to input voltage transients.
- Hall-based measurement simplifies system level designs without the need for a power supply on the high-voltage (HV) side.
- An input current path through the low impedance conductor minimizes power dissipation.
- Excellent accuracy and low temperature drift eliminate the need for multipoint calibrations without sacrificing system performance.
- A wide operating supply range enables a single device to function across a wide range of voltage levels.

These advantages increase system-level performance while minimizing complexity for any application where precision current measurements must be made on isolated currents. Specific examples and design requirements are detailed in the following section.

### 9.1.1 Total Error Calculation Examples

Users can calculate the total error for any arbitrary device condition and current level. Consider error sources like input-referred offset current ( $I_{OS}$ ), Common Mode Rejection Ratio (CMRR), Power Supply Rejection Ratio (PSRR), sensitivity error, nonlinearity, as well as errors caused by any external magnetic fields ( $B_{EXT}$ ). Compare each of these error sources in percentage terms, as some are significant drivers of error and some have inconsequential impact to current measurement error. Offset (Equation 22), CMRR (Equation 23), PSRR, and external magnetic field error (Equation 25) are all referred to the input, and so are divided by the actual input current  $I_{IN}$  to calculate percentage errors. For sensitivity error and nonlinearity error calculations, the percentage limits explicitly specified in the [Electrical Characteristics](#) table can be used.

$$e_{I_{OS}} = \frac{I_{OS}}{I_{IN}} \times 100\% = \frac{V_{OE}}{S \times I_{IN}} \times 100\% \quad (22)$$

$$e_{CMRR} = \frac{CMRR \times V_{CM}}{I_{IN}} \times 100\% \quad (23)$$

$$e_{PSRR,A} = \frac{PSRR \times (V_S - 5V)}{I_{IN}} \times 100\%; \quad e_{PSRR,B} = e_{PSRR,C} = \frac{PSRR \times (V_S - 3.3V)}{I_{IN}} \times 100\% \quad (24)$$

$$e_{B_{EXT}} = \frac{B_{EXT} \times CMFR}{I_{IN}} \times 100\% \quad (25)$$

where

- $V_{OE}$  is the output-referred offset voltage error.
- $V_{CM}$  is the input common-mode voltage.
- $e_{PSRR,A}$  is the power supply rejection error for TMCS1126Axx-Q1 devices.
- $e_{PSRR,B}$  is the power supply rejection error for TMCS1126Bxx-Q1 devices.
- $e_{PSRR,C}$  is the power supply rejection error for TMCS1126Cxx-Q1 devices.
- $V_S$  is the supply voltage.
- CMFR is the common-mode magnetic field rejection.

When calculating error contributions across temperature, only offset error and sensitivity error contributions vary significantly. To determine the offset error across temperature, use Equation 26 to calculate total input-referred offset error current,  $I_{OS}$ , at any ambient temperature,  $T_A$ .

$$e_{I_{OS},\Delta T} = \frac{V_{OE,25^\circ C} + (V_{OE,drift} \times |\Delta T|)}{S \times I_{IN}} \times 100\% \quad (26)$$

where

- $V_{OE,25^\circ C}$  is the output-referred offset error at 25°C.
- $V_{OE,drift}$  is the output-referred offset drift with temperature in  $\mu V/^\circ C$ .
- $\Delta T$  is the change in temperature from 25°C.
- $S$  is the sensitivity of the device variant.

Sensitivity error at 25°C is specified as  $e_{S,25^\circ C}$  in the [Electrical Characteristics](#) table along with sensitivity variation over temperature as sensitivity thermal drift  $S_{drift,therm}$  in ppm/°C. To determine the sensitivity error across temperature, use Equation 27 to calculate sensitivity error at any ambient temperature,  $T_A$ , over the given application operating ambient temperature range between -40°C and 125°C.

$$e_{S,\Delta T} = e_{S,25^\circ C} + (S_{drift,therm} \times |\Delta T| \times 100\%) \quad (27)$$

To accurately calculate the total expected error of the device, the contributions from each of the individual components above must be understood in reference to operating conditions. To account for the individual error sources that are statistically uncorrelated, use a root sum square (RSS) error calculation to calculate total error. For the TMCS1126-Q1, only the input-referred offset current ( $I_{OS}$ ), CMRR, and PSRR are statistically correlated. These error terms are lumped in an RSS calculation to reflect this nature, as shown in Equation 28 for room temperature and in Equation 29 across a given temperature range. The same methodology can be applied for calculating typical total error by using the appropriate error term specification.

$$e_{RSS} = \sqrt{(e_{I_{OS}} + e_{PSRR} + e_{CMRR})^2 + (e_{B_{EXT}})^2 + (e_S)^2 + (e_{NL})^2} \tag{28}$$

$$e_{RSS,\Delta T} = \sqrt{(e_{I_{OS},\Delta T} + e_{PSRR} + e_{CMRR})^2 + (e_{B_{EXT}})^2 + (e_{S,\Delta T})^2 + (e_{NL})^2} \tag{29}$$

The total error calculation has a strong dependence on the actual input current, therefore always calculate total error across the dynamic range that is required. These curves asymptotically approach the sensitivity and nonlinearity error at high current levels, and approach infinity at low current levels due to offset error terms with input current in the denominator. Key figures of merit for any current-measurement system include the total error percentage at full-scale current, as well as the dynamic range of input current over which the error remains below some key level. Figure 9-1 shows the RSS maximum total error as a function of input current for a TMCS1126A2A-Q1 at room temperature and across the full temperature range with a 5.25V supply.

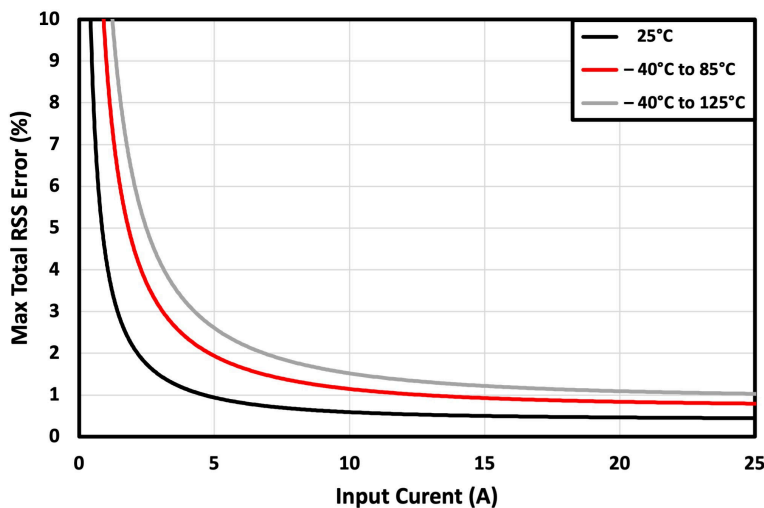


Figure 9-1. RSS Error vs Input Current

### 9.1.1.1 Room-Temperature Error Calculations

For room-temperature total error calculations, specifications across temperature and drift are ignored. As an example, consider a TMCS1126B2A-Q1 with a supply voltage ( $V_S$ ) of 3.1V and a worst-case common-mode excursion of 600V to calculate operating-point specific parameters. Consider a measurement error due to an external 400 $\mu$ T magnetic field generated by a 20A<sub>DC</sub> current flowing through an adjacent trace or conductor that is 10mm away. The full-scale current range of the device in specified conditions is slightly greater than  $\pm 31$ A, as shown in the *Device Comparison* table. In this case, the calculating error at both 25A and 12.5A highlights error dependencies on the input-current level. Table 9-1 shows the individual error components and RSS maximum total error calculations at room temperature under the conditions specified. Relative to other errors, the additional errors from CMRR, external ambient magnetic fields  $B_{EXT}$  and nonlinearity are negligible, and can typically be excluded from total error calculations.

**Table 9-1. Total Error Calculation: Room Temperature Example**

ERROR COMPONENT	SYMBOL	EQUATION	ERROR AT I <sub>IN</sub> = 25A	ERROR AT I <sub>IN</sub> = 12.5A
Input offset error	e <sub>Ios</sub>	$e_{Ios} = \frac{I_{OS}}{I_{IN}} \times 100\% = \frac{V_{OE}}{S \times I_{IN}} \times 100\% = \frac{\pm 1.5mV}{50mV/A \times I_{IN}} \times 100\%$	±0.12%	±0.24%
PSRR error	e <sub>PSRR</sub>	$e_{PSRR} = \frac{PSRR \times (V_S - 3.3)}{I_{IN}} \times 100\%$	±0.04%	±0.07%
CMRR error	e <sub>CMRR</sub>	$e_{CMRR} = \frac{CMRR \times V_{CM}}{I_{IN}} \times 100\%$	±0.01%	±0.02%
External Field error	e <sub>Bext</sub>	$e_{Bext} = \frac{B_{EXT} \times CMFR}{I_{IN}} \times 100\%$	±0.02%	±0.03%
Sensitivity error	e <sub>S</sub>	Specified in <a href="#">Electrical Characteristics</a>	±0.4%	±0.4%
Nonlinearity error	e <sub>NL</sub>	Specified in <a href="#">Electrical Characteristics</a>	±0.1%	±0.1%
RSS total error	e <sub>RSS</sub>	$e_{RSS} = \sqrt{(e_{Ios} + e_{PSRR} + e_{CMRR})^2 + (e_{Bext})^2 + (e_S)^2 + (e_{NL})^2}$	0.45%	0.53%

### 9.1.1.2 Full-Temperature Range Error Calculations

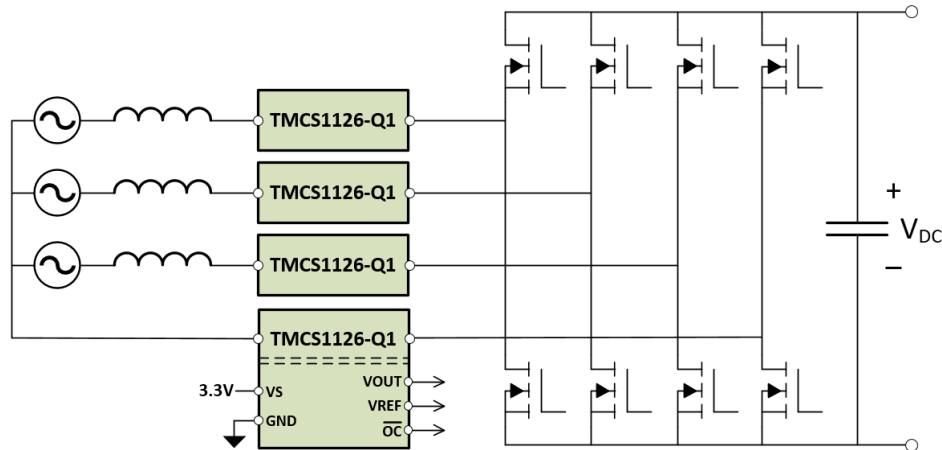
To calculate total error across any specific temperature range, use [Equation 28](#) and [Equation 29](#) for RSS maximum total errors, similar to the example for room temperatures. Conditions from the example in [Room-Temperature Error Calculations](#) are replaced with the respective equations and error components for a –40°C to 85°C temperature range below in [Table 9-2](#).

**Table 9-2. Total Error Calculation: –40°C to 85°C Example**

ERROR COMPONENT	SYMBOL	EQUATION	ERROR AT I <sub>IN</sub> = 25A	ERROR AT I <sub>IN</sub> = 12.5A
Input offset error	e <sub>Ios,ΔT</sub>	$e_{Ios,\Delta T} = \frac{V_{OE, 25^\circ C} + (V_{OE, drift} \times  \Delta T )}{S \times I_{IN}} \times 100\%$	±0.31%	±0.62%
PSRR error	e <sub>PSRR</sub>	$e_{PSRR} = \frac{PSRR \times (V_S - 3.3)}{I_{IN}} \times 100\%$	±0.04%	±0.07%
CMRR error	e <sub>CMRR</sub>	$e_{CMRR} = \frac{CMRR \times V_{CM}}{I_{IN}} \times 100\%$	±0.01%	±0.02%
External Field error	e <sub>Bext</sub>	$e_{Bext} = \frac{B_{EXT} \times CMFR}{I_{IN}} \times 100\%$	±0.02%	±0.03%
Sensitivity error	e <sub>S,ΔT</sub>	$e_{S,\Delta T} = e_{S, 25^\circ C} + (S_{drift, therm} \times  \Delta T  \times 100\%)$	±0.70%	±0.70%
Nonlinearity error	e <sub>NL</sub>	Specified in <a href="#">Electrical Characteristics</a>	±0.1%	±0.1%
RSS total error	e <sub>RSS,ΔT</sub>	$e_{RSS,\Delta T} = \sqrt{(e_{Ios,\Delta T} + e_{PSRR} + e_{CMRR})^2 + (e_{Bext})^2 + (e_{S,\Delta T})^2 + (e_{NL})^2}$	0.79%	1.01%

## 9.2 Typical Application

In many applications, power must be converted from AC sources for use in DC circuitry. Some type of controlled power factor correction (PFC) stage is typically needed to improve power transfer efficiency. Faster and faster power switches are being used in modern PFC stages to reduce overall size and to improve power transfer efficiency. Often, the PFC stage of AC to DC converters is connected directly to AC power grids. A primary challenge to sensing in PFC stages is that the current sensor is subjected to large voltage spikes coming from the high-voltage (HV) power grid along with large transients coming from high speed power switches during charge transfer. Inherent isolation in the TMCS1126-Q1 construction helps overcome these challenges by providing high levels of isolation between the HV current sensing nodes and low-voltage control circuitry, with high common-mode transient immunity (CMTI). [Figure 9-2](#) shows the use of the TMCS1126-Q1 measuring phase currents in a common AC to DC converter stage.



**Figure 9-2. AC to DC Converter Current Sensing**

### 9.2.1 Design Requirements

For a 3-phase current sensing application, make sure to provide linear sensing across the expected current range, and make sure that the device remains within working thermal constraints. A single TMCS1126-Q1 can be used to measure current in each phase if necessary. For this example, consider a nominal supply of 5V but a minimum of 4.9V to include for some supply variation. Maximum output swings are defined according to TMCS1126-Q1 specifications, and a full-scale current measurement of  $\pm 20A$  is required.

**Table 9-3. Example Application Design Requirements**

DESIGN PARAMETER	EXAMPLE VALUE
$V_{S,nom}$	5V
$V_{S,min}$	4.9V
$I_{IN,FS}$	$\pm 20A$

### 9.2.2 Detailed Design Procedure

The primary design parameter for using the TMCS1126-Q1 is the optimum sensitivity variant based on the required measured current levels and the selected supply voltage. Positive and negative currents are measured in this in-line phase current application example, therefore select a bidirectional variant. The TMCS1126-Q1 has a precision internal reference voltage that determines the zero current output voltage,  $V_{OUT,0A}$ .

The internal reference voltage on TMCS1126AxA-Q1 variants, with zero current output voltage  $V_{OUT,0A} = 2.5V$  is intended for bidirectional current measurements when used with 5V power supplies. The internal reference voltage on TMCS1126BxA-Q1 variants, with zero current output voltage  $V_{OUT,0A} = 1.65V$  is intended for bidirectional current measurements when used with 3.3V power supplies. Further consideration of noise and integration with an ADC can be explored, but is beyond the scope of this application design example. The TMCS1126-Q1 output voltage  $V_{OUT}$  is proportional to the input current  $I_{IN}$  as defined by Equation 30 with output offset set by  $V_{OUT,0A}$ .

$$V_{OUT} = (I_{IN} \times S) + V_{OUT,0A} \tag{30}$$

Design of the sensing solution focuses on maximizing the sensitivity of the device while maintaining linear measurement over the expected current input range. The TMCS1126-Q1 has a linear measurable current range that is constrained by either the positive swing to supply or negative swing to ground. To account for the operating margin, consider the previously defined minimum possible supply voltage  $V_{S,min} = 4.9V$ . With the previous parameters, the maximum linear output voltage  $V_{OUT,max}$  is defined by Equation 31 and the minimum linear output voltage  $V_{OUT,min}$  is defined by Equation 32.

$$V_{OUT,max} = V_{S,min} - 100\text{mV} \quad (31)$$

$$V_{OUT,min} = 100\text{mV} \quad (32)$$

Design parameters for this example application are shown in [Table 9-4](#) along with the calculated output range.

**Table 9-4. Example Application Design Parameters**

DESIGN PARAMETER	EXAMPLE VALUE
$V_{OUT,max}$	4.8V
$V_{OUT,0A}$	2.5V
$V_{OUT,max} - V_{OUT,0A}$	2.3V

These design parameters result in a maximum positive linear output voltage swing of  $\pm 2.3\text{V}$  about  $V_{OUT,0A} = 2.5\text{V}$ . To determine which sensitivity variant of the TMCS1126-Q1 most fully uses this linear range, use [Equation 33](#) to calculate the maximum current range for a bidirectional current  $\pm I_{IN,max}$ .

$$I_{IN,max} = \frac{(V_{OUT,max} - V_{OUT,0A})}{S} \quad (33)$$

where

- S is the sensitivity of the relevant AxA variant.

[Table 9-5](#) shows the calculation for each gain variant of the TMCS1126-Q1 with the appropriate sensitivities.

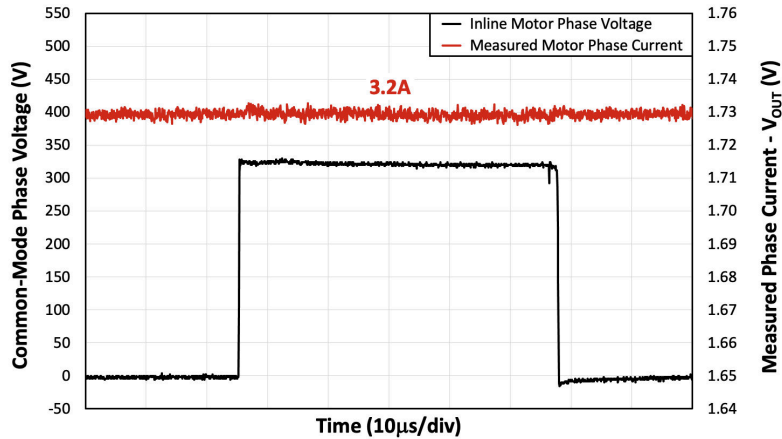
**Table 9-5. Maximum Full-Scale Current Ranges With 2.3V Positive Output Swing**

VARIANT	SENSITIVITY	$I_{IN,max}$
TMCS1126ADx-Q1	20mV/A	$\pm 115\text{A}$
TMCS1126A1A-Q1	25mV/A	$\pm 92\text{A}$
TMCS1126A7x-Q1	30mV/A	$\pm 76.6\text{A}$
TMCS1126A8x-Q1	40mV/A	$\pm 57.5\text{A}$
TMCS1126A2A-Q1	50mV/A	$\pm 46\text{A}$
TMCS1126A3A-Q1	75mV/A	$\pm 30.6\text{A}$
TMCS1126A4A-Q1	100mV/A	$\pm 23\text{A}$
TMCS1126A5A-Q1	150mV/A	$\pm 15.3\text{A}$

In general, the highest sensitivity variant is selected to provide the lowest maximum input current range that is larger than the desired full-scale current range. For the design parameters in this example, either the higher precision TMCS1126A4A-Q1 or the less accurate TMCS1126A4B-Q1 with sensitivity of 100mV/A is the proper selection because the maximum  $\pm 23\text{A}$  linear measurable range is larger than the desired  $\pm 20\text{A}$  full-scale current range.

### 9.2.3 Application Curve

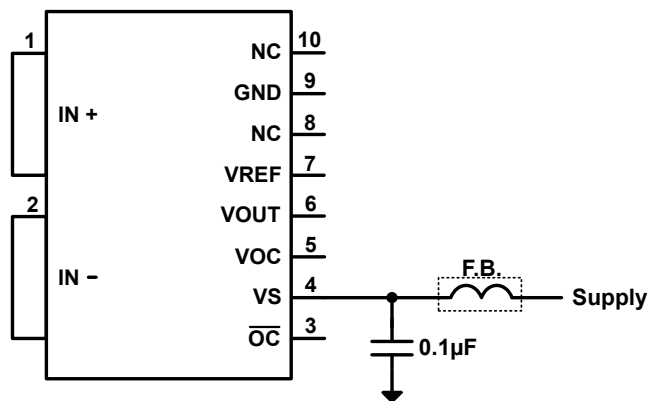
To illustrate high levels of isolation achievable between noisy high-voltage current sensing nodes and low-voltage precision current measurement and control circuitry, [Figure 9-3](#) shows the output signal from the TMCS1126-Q1 in a noisy in-phase PWM motor control example. In this example with a large induction motor under no load, no PWM edge interference is seen on the current sensor output with high-voltage PWM switching on the current sensor input, as is often pronounced on many current sensors.



**Figure 9-3. Inline Motor Current-Sense Input and Output Signals**

### 9.3 Power Supply Recommendations

The TMCS1126-Q1 only requires a power supply ( $V_S$ ) on the low-voltage isolated side, which powers the analog circuitry independent of the isolated current input.  $V_S$  determines the full-scale output range of the analog output  $V_{OUT}$ , and can be supplied with any voltage between 3V and 5.5V. To filter noise in the power-supply path, place a low-ESR decoupling capacitor of 0.1µF between  $V_S$  and GND pins as close as possible to the supply and ground pins of the device. More decoupling capacitance can be added to compensate for noisy or high-impedance power supplies. When used in extremely noisy environments, ferrite beads can be added close to the supply pin as shown in Figure 9-4 to target and suppress high-frequency noise coupled on to system supply.



**Figure 9-4. Power Supply Noise Filtering**

The TMCS1126-Q1 power supply  $V_S$  can be sequenced independently of current flowing through the input. However, there is a power-on delay between  $V_S$  reaching the recommended operating voltage and the analog output validation. During this power-on time, the output voltage  $V_{OUT}$  can transition between GND and  $V_S$  as the output transfers from a high impedance reset state to the active drive state. If this behavior must be avoided, then provide a stable supply voltage  $V_S$  for longer than the power-on time prior to applying input current.

### 9.4 Layout

#### 9.4.1 Layout Guidelines

The TMCS1126-Q1 is specified for a continuous current handling capability on the [TMCS1126xEVM](#) which uses 4oz copper planes. This current capability is fundamentally limited by the maximum device junction temperature and the thermal environment, primarily the PCB layout and design. To maximize current-handling capability and thermal stability of the device, take care with PCB layout and construction to optimize the thermal capability. Efforts to improve the thermal performance beyond the design and construction of the [TMCS1126xEVM](#) can

result in increased continuous-current capability due to higher heat transfer to the ambient environment. Keys to improving thermal performance of the PCB include:

- Use large copper planes for both input current path and isolated power planes and signals.
- Use heavier copper PCB construction.
- Place thermal via farms around the isolated current input.
- Provide airflow across the surface of the PCB.

### 9.4.2 Layout Example

An example layout, shown in Figure 9-5, is from the *TMCS1126xEVM User's Guide*. Device performance is targeted for thermal and magnetic characteristics of this layout, which provides optimal current flow from the terminal connectors to the device input pins while large copper planes enhance thermal performance.

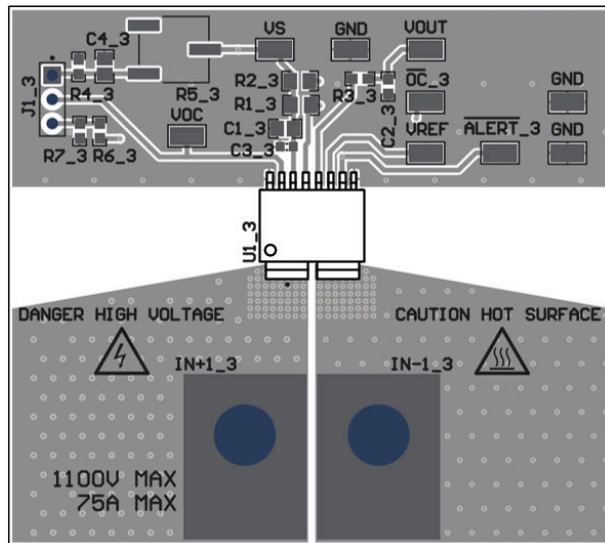


Figure 9-5. Recommended Board Layout

## 10 Device and Documentation Support

### 10.1 Device Nomenclature

TI device nomenclature also includes a suffix with the device family name. This suffix indicates the package type (for example, *DVG*), the temperature range, and the device speed range, in megahertz. Figure 10-1 provides a legend for reading the complete device name for any *TMCS1126-Q1* device.

For orderable part numbers of *TMCS1126-Q1* devices in the *SOIC* package types, see the Package Option Addendum of this document, [ti.com](http://ti.com), or contact your TI sales representative.

For additional description of the device nomenclature markings on the die, see the [Silicon Errata](#).

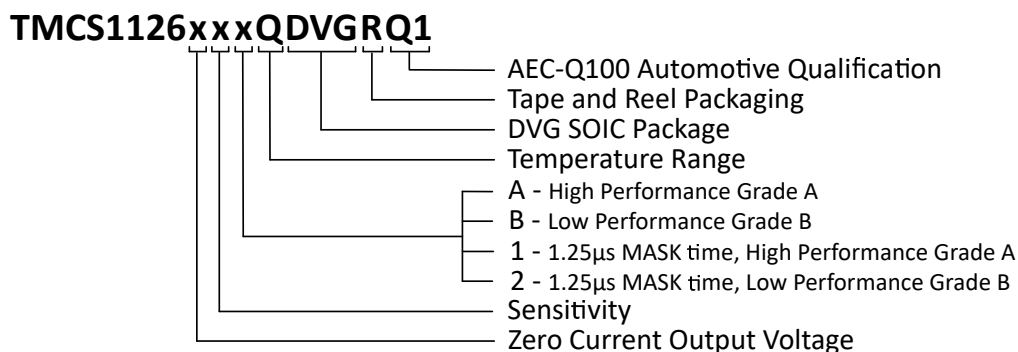


Figure 10-1. Part Number Naming Designators

## 10.2 Device Support

### 10.2.1 Development Support

For development tool support see the following:

- Texas Instruments, [TMCS1126xEVM](#)

## 10.3 Documentation Support

### 10.3.1 Related Documentation

For related documentation see the following:

- Texas Instruments, [TMCS1126xEVM User's Guide](#)
- Texas Instruments, [Isolation Glossary](#), application note

## 10.4 Receiving Notification of Documentation Updates

To receive notification of documentation updates, navigate to the device product folder on [ti.com](#). Click on *Notifications* to register and receive a weekly digest of any product information that has changed. For change details, review the revision history included in any revised document.

## 10.5 Support Resources

[TI E2E™ support forums](#) are an engineer's go-to source for fast, verified answers and design help — straight from the experts. Search existing answers or ask your own question to get the quick design help you need.

Linked content is provided "AS IS" by the respective contributors. They do not constitute TI specifications and do not necessarily reflect TI's views; see TI's [Terms of Use](#).

## 10.6 Trademarks

TI E2E™ is a trademark of Texas Instruments.

All trademarks are the property of their respective owners.

## 10.7 Electrostatic Discharge Caution



This integrated circuit can be damaged by ESD. Texas Instruments recommends that all integrated circuits be handled with appropriate precautions. Failure to observe proper handling and installation procedures can cause damage.

ESD damage can range from subtle performance degradation to complete device failure. Precision integrated circuits may be more susceptible to damage because very small parametric changes could cause the device not to meet its published specifications.

## 10.8 Glossary

[TI Glossary](#) This glossary lists and explains terms, acronyms, and definitions.

## 11 Revision History

NOTE: Page numbers for previous revisions may differ from page numbers in the current version.

Changes from Revision A (November 2024) to Revision B (June 2025)	Page
• Changed TMCS110AxB orderable statuses from <i>Advanced Information</i> to <i>Production Data</i> .....	1
• Updated the number formatting for tables, figures, and cross-references throughout the document .....	1
• Added Power Ratings to the <i>Specifications</i> .....	5
• Added Safety-Related Certification to the <i>Specifications</i> .....	5
• Added Safety Limiting Values to the <i>Specifications</i> .....	5
• Updated the VIORM in the <i>Insulation Specifications</i> section from 1344V to 1697V peak.....	6
• Updated the reinforced isolation working voltage in the <i>Insulation Specifications</i> section from 600V to 950V RMS.....	6
• Updated the reinforced isolation working voltage in the <i>Insulation Specifications</i> section from 849V to 1343V DC.....	6

---

• Updated the basic isolation working voltage in the <i>Insulation Specifications</i> section from 950V to 1200V RMS.....	6
• Updated the basic isolation working voltage in the <i>Insulation Specifications</i> section from 950V to 1697V DC.....	6
• Added the Input-Referred Noise Density vs Frequency graph to the <i>Typical Characteristics</i> .....	12
• Added the Insulation Characteristics Curves to the <i>Typical Characteristics</i> .....	12
• Added the Input Isolation section to <i>Feature Description</i> for clarification.....	22

---

**Changes from Revision \* (April 2024) to Revision A (November 2024)**
**Page**

• Updated the number formatting for tables, figures, and cross-references throughout the document .....	1
• Added the <i>Setting The User Configurable Overcurrent Threshold</i> , <i>Setting Overcurrent Threshold Using Power Supply Voltage</i> , <i>Setting Overcurrent Threshold Using Internal Reference Voltage</i> , <i>Setting Overcurrent Threshold Example</i> , and <i>Overcurrent Output Response</i> sections to the <i>Overcurrent Detection</i> section.....	25

---

## 12 Mechanical, Packaging, and Orderable Information

The following pages include mechanical, packaging, and orderable information. This information is the most current data available for the designated devices. This data is subject to change without notice and revision of this document. For browser-based versions of this data sheet, refer to the left-hand navigation.

## PACKAGING INFORMATION

Orderable part number	Status (1)	Material type (2)	Package   Pins	Package qty   Carrier	RoHS (3)	Lead finish/ Ball material (4)	MSL rating/ Peak reflow (5)	Op temp (°C)	Part marking (6)
<a href="#">TMCS1126A1AQDVGRQ1</a>	Active	Production	SOIC (DVG)   10	2000   LARGE T&R	Yes	SN	Level-2-260C-1 YEAR	-40 to 125	1126A1AQ1
TMCS1126A1AQDVGRQ1.A	Active	Production	null (null)	2000   LARGE T&R	-	SN	Level-2-260C-1 YEAR	See TMCS1126A1AQDVGRQ	1126A1AQ1
<a href="#">TMCS1126A1BQDVGRQ1</a>	Active	Production	SOIC (DVG)   10	2000   LARGE T&R	Yes	SN	Level-2-260C-1 YEAR	-40 to 125	1126A1BQ1
TMCS1126A1BQDVGRQ1.A	Active	Production	null (null)	2000   LARGE T&R	-	SN	Level-2-260C-1 YEAR	See TMCS1126A1BQDVGRQ	1126A1BQ1
<a href="#">TMCS1126A2AQDVGRQ1</a>	Active	Production	SOIC (DVG)   10	2000   LARGE T&R	Yes	SN	Level-2-260C-1 YEAR	-40 to 125	1126A2AQ1
TMCS1126A2AQDVGRQ1.A	Active	Production	null (null)	2000   LARGE T&R	-	SN	Level-2-260C-1 YEAR	See TMCS1126A2AQDVGRQ	1126A2AQ1
<a href="#">TMCS1126A2BQDVGRQ1</a>	Active	Production	SOIC (DVG)   10	2000   LARGE T&R	Yes	SN	Level-2-260C-1 YEAR	-40 to 125	1126A2BQ1
TMCS1126A2BQDVGRQ1.A	Active	Production	null (null)	2000   LARGE T&R	-	SN	Level-2-260C-1 YEAR	See TMCS1126A2BQDVGRQ	1126A2BQ1
<a href="#">TMCS1126A3AQDVGRQ1</a>	Active	Production	SOIC (DVG)   10	2000   LARGE T&R	Yes	SN	Level-2-260C-1 YEAR	-40 to 125	1126A3AQ1
TMCS1126A3AQDVGRQ1.A	Active	Production	null (null)	2000   LARGE T&R	-	SN	Level-2-260C-1 YEAR	See TMCS1126A3AQDVGRQ	1126A3AQ1
<a href="#">TMCS1126A3BQDVGRQ1</a>	Active	Production	SOIC (DVG)   10	2000   LARGE T&R	Yes	SN	Level-2-260C-1 YEAR	-40 to 125	1126A3BQ1
TMCS1126A3BQDVGRQ1.A	Active	Production	null (null)	2000   LARGE T&R	-	SN	Level-2-260C-1 YEAR	See TMCS1126A3BQDVGRQ	1126A3BQ1
<a href="#">TMCS1126A4AQDVGRQ1</a>	Active	Production	SOIC (DVG)   10	2000   LARGE T&R	Yes	SN	Level-2-260C-1 YEAR	-40 to 125	1126A4AQ1
TMCS1126A4AQDVGRQ1.A	Active	Production	null (null)	2000   LARGE T&R	-	SN	Level-2-260C-1 YEAR	See TMCS1126A4AQDVGRQ	1126A4AQ1
<a href="#">TMCS1126A4BQDVGRQ1</a>	Active	Production	SOIC (DVG)   10	2000   LARGE T&R	Yes	SN	Level-2-260C-1 YEAR	-40 to 125	1126A4BQ1
TMCS1126A4BQDVGRQ1.A	Active	Production	null (null)	2000   LARGE T&R	-	SN	Level-2-260C-1 YEAR	See TMCS1126A4BQDVGRQ	1126A4BQ1
<a href="#">TMCS1126A5AQDVGRQ1</a>	Active	Production	SOIC (DVG)   10	2000   LARGE T&R	Yes	SN	Level-2-260C-1 YEAR	-40 to 125	1126A5AQ1
TMCS1126A5AQDVGRQ1.A	Active	Production	null (null)	2000   LARGE T&R	-	SN	Level-2-260C-1 YEAR	See TMCS1126A5AQDVGRQ	1126A5AQ1
<a href="#">TMCS1126A5BQDVGRQ1</a>	Active	Production	SOIC (DVG)   10	2000   LARGE T&R	Yes	SN	Level-2-260C-1 YEAR	-40 to 125	1126A5BQ1
TMCS1126A5BQDVGRQ1.A	Active	Production	null (null)	2000   LARGE T&R	-	SN	Level-2-260C-1 YEAR	See TMCS1126A5BQDVGRQ	1126A5BQ1
<a href="#">TMCS1126A7AQDVGRQ1</a>	Active	Production	SOIC (DVG)   10	2000   LARGE T&R	Yes	SN	Level-2-260C-1 YEAR	-40 to 125	1126A7AQ1

Orderable part number	Status (1)	Material type (2)	Package   Pins	Package qty   Carrier	RoHS (3)	Lead finish/ Ball material (4)	MSL rating/ Peak reflow (5)	Op temp (°C)	Part marking (6)
TMCS1126A7AQDVGRQ1.A	Active	Production	null (null)	2000   LARGE T&R	-	SN	Level-2-260C-1 YEAR	See TMCS1126A7AQDVGRQ	1126A7AQ1
<a href="#">TMCS1126A7BQDVGRQ1</a>	Active	Production	SOIC (DVG)   10	2000   LARGE T&R	Yes	SN	Level-2-260C-1 YEAR	-40 to 125	1126A7BQ1
TMCS1126A7BQDVGRQ1.A	Active	Production	null (null)	2000   LARGE T&R	-	SN	Level-2-260C-1 YEAR	See TMCS1126A7BQDVGRQ	1126A7BQ1
<a href="#">TMCS1126A8AQDVGRQ1</a>	Active	Production	SOIC (DVG)   10	2000   LARGE T&R	Yes	SN	Level-2-260C-1 YEAR	-40 to 125	1126A8AQ1
TMCS1126A8AQDVGRQ1.A	Active	Production	null (null)	2000   LARGE T&R	-	SN	Level-2-260C-1 YEAR	See TMCS1126A8AQDVGRQ	1126A8AQ1
<a href="#">TMCS1126A8BQDVGRQ1</a>	Active	Production	SOIC (DVG)   10	2000   LARGE T&R	Yes	SN	Level-2-260C-1 YEAR	-40 to 125	1126A8BQ1
TMCS1126A8BQDVGRQ1.A	Active	Production	null (null)	2000   LARGE T&R	-	SN	Level-2-260C-1 YEAR	See TMCS1126A8BQDVGRQ	1126A8BQ1
<a href="#">TMCS1126B1AQDVGRQ1</a>	Active	Production	SOIC (DVG)   10	2000   LARGE T&R	Yes	SN	Level-2-260C-1 YEAR	-40 to 125	1126B1AQ1
TMCS1126B1AQDVGRQ1.A	Active	Production	null (null)	2000   LARGE T&R	-	SN	Level-2-260C-1 YEAR	See TMCS1126B1AQDVGRQ	1126B1AQ1
<a href="#">TMCS1126B1BQDVGRQ1</a>	Active	Production	SOIC (DVG)   10	2000   LARGE T&R	Yes	SN	Level-2-260C-1 YEAR	-40 to 125	1126B1BQ1
TMCS1126B1BQDVGRQ1.A	Active	Production	null (null)	2000   LARGE T&R	-	SN	Level-2-260C-1 YEAR	See TMCS1126B1BQDVGRQ	1126B1BQ1
<a href="#">TMCS1126B2AQDVGRQ1</a>	Active	Production	SOIC (DVG)   10	2000   LARGE T&R	Yes	SN	Level-2-260C-1 YEAR	-40 to 125	1126B2AQ1
TMCS1126B2AQDVGRQ1.A	Active	Production	null (null)	2000   LARGE T&R	-	SN	Level-2-260C-1 YEAR	See TMCS1126B2AQDVGRQ	1126B2AQ1
<a href="#">TMCS1126B2BQDVGRQ1</a>	Active	Production	SOIC (DVG)   10	2000   LARGE T&R	Yes	SN	Level-2-260C-1 YEAR	-40 to 125	1126B2BQ1
TMCS1126B2BQDVGRQ1.A	Active	Production	null (null)	2000   LARGE T&R	-	SN	Level-2-260C-1 YEAR	See TMCS1126B2BQDVGRQ	1126B2BQ1
<a href="#">TMCS1126B3AQDVGRQ1</a>	Active	Production	SOIC (DVG)   10	2000   LARGE T&R	Yes	SN	Level-2-260C-1 YEAR	-40 to 125	1126B3AQ1
TMCS1126B3AQDVGRQ1.A	Active	Production	null (null)	2000   LARGE T&R	-	SN	Level-2-260C-1 YEAR	See TMCS1126B3AQDVGRQ	1126B3AQ1
<a href="#">TMCS1126B3BQDVGRQ1</a>	Active	Production	SOIC (DVG)   10	2000   LARGE T&R	Yes	SN	Level-2-260C-1 YEAR	-40 to 125	1126B3BQ1
TMCS1126B3BQDVGRQ1.A	Active	Production	null (null)	2000   LARGE T&R	-	SN	Level-2-260C-1 YEAR	See TMCS1126B3BQDVGRQ	1126B3BQ1
<a href="#">TMCS1126B4AQDVGRQ1</a>	Active	Production	SOIC (DVG)   10	2000   LARGE T&R	Yes	SN	Level-2-260C-1 YEAR	-40 to 125	1126B4AQ1
TMCS1126B4AQDVGRQ1.A	Active	Production	null (null)	2000   LARGE T&R	-	SN	Level-2-260C-1 YEAR	See TMCS1126B4AQDVGRQ	1126B4AQ1
<a href="#">TMCS1126B4BQDVGRQ1</a>	Active	Production	SOIC (DVG)   10	2000   LARGE T&R	Yes	SN	Level-2-260C-1 YEAR	-40 to 125	1126B4BQ1

Orderable part number	Status (1)	Material type (2)	Package   Pins	Package qty   Carrier	RoHS (3)	Lead finish/ Ball material (4)	MSL rating/ Peak reflow (5)	Op temp (°C)	Part marking (6)
TMCS1126B4BQDVGRQ1.A	Active	Production	null (null)	2000   LARGE T&R	-	SN	Level-2-260C-1 YEAR	See TMCS1126B4BQDVGRQ	1126B4BQ1
<a href="#">TMCS1126B5AQDVGRQ1</a>	Active	Production	SOIC (DVG)   10	2000   LARGE T&R	Yes	SN	Level-2-260C-1 YEAR	-40 to 125	1126B5AQ1
TMCS1126B5AQDVGRQ1.A	Active	Production	null (null)	2000   LARGE T&R	-	SN	Level-2-260C-1 YEAR	See TMCS1126B5AQDVGRQ	1126B5AQ1
<a href="#">TMCS1126B5BQDVGRQ1</a>	Active	Production	SOIC (DVG)   10	2000   LARGE T&R	Yes	SN	Level-2-260C-1 YEAR	-40 to 125	1126B5BQ1
TMCS1126B5BQDVGRQ1.A	Active	Production	null (null)	2000   LARGE T&R	-	SN	Level-2-260C-1 YEAR	See TMCS1126B5BQDVGRQ	1126B5BQ1
<a href="#">TMCS1126B6AQDVGRQ1</a>	Active	Production	SOIC (DVG)   10	2000   LARGE T&R	Yes	SN	Level-2-260C-1 YEAR	-40 to 125	1126B6AQ1
TMCS1126B6AQDVGRQ1.A	Active	Production	null (null)	2000   LARGE T&R	-	SN	Level-2-260C-1 YEAR	See TMCS1126B6AQDVGRQ	1126B6AQ1
<a href="#">TMCS1126B6BQDVGRQ1</a>	Active	Production	SOIC (DVG)   10	2000   LARGE T&R	Yes	SN	Level-2-260C-1 YEAR	-40 to 125	1126B6BQ1
TMCS1126B6BQDVGRQ1.A	Active	Production	null (null)	2000   LARGE T&R	-	SN	Level-2-260C-1 YEAR	See TMCS1126B6BQDVGRQ	1126B6BQ1
<a href="#">TMCS1126B8AQDVGRQ1</a>	Active	Production	SOIC (DVG)   10	2000   LARGE T&R	Yes	SN	Level-2-260C-1 YEAR	-40 to 125	1126B8AQ1
TMCS1126B8AQDVGRQ1.A	Active	Production	null (null)	2000   LARGE T&R	-	SN	Level-2-260C-1 YEAR	See TMCS1126B8AQDVGRQ	1126B8AQ1
<a href="#">TMCS1126B8BQDVGRQ1</a>	Active	Production	SOIC (DVG)   10	2000   LARGE T&R	Yes	SN	Level-2-260C-1 YEAR	-40 to 125	1126B8BQ1
TMCS1126B8BQDVGRQ1.A	Active	Production	null (null)	2000   LARGE T&R	-	SN	Level-2-260C-1 YEAR	See TMCS1126B8BQDVGRQ	1126B8BQ1
<a href="#">TMCS1126B9AQDVGRQ1</a>	Active	Production	SOIC (DVG)   10	2000   LARGE T&R	Yes	SN	Level-2-260C-1 YEAR	-40 to 125	1126B9AQ1
TMCS1126B9AQDVGRQ1.A	Active	Production	null (null)	2000   LARGE T&R	-	SN	Level-2-260C-1 YEAR	See TMCS1126B9AQDVGRQ	1126B9AQ1
<a href="#">TMCS1126B9BQDVGRQ1</a>	Active	Production	SOIC (DVG)   10	2000   LARGE T&R	Yes	SN	Level-2-260C-1 YEAR	-40 to 125	1126B9BQ1
TMCS1126B9BQDVGRQ1.A	Active	Production	null (null)	2000   LARGE T&R	-	SN	Level-2-260C-1 YEAR	See TMCS1126B9BQDVGRQ	1126B9BQ1
<a href="#">TMCS1126BAAQDVGRQ1</a>	Active	Production	SOIC (DVG)   10	2000   LARGE T&R	Yes	SN	Level-2-260C-1 YEAR	-40 to 125	1126BAAQ1
TMCS1126BAAQDVGRQ1.A	Active	Production	null (null)	2000   LARGE T&R	-	SN	Level-2-260C-1 YEAR	See TMCS1126BAAQDVGRQ	1126BAAQ1
<a href="#">TMCS1126BABQDVGRQ1</a>	Active	Production	SOIC (DVG)   10	2000   LARGE T&R	Yes	SN	Level-2-260C-1 YEAR	-40 to 125	1126BABQ1
TMCS1126BABQDVGRQ1.A	Active	Production	null (null)	2000   LARGE T&R	-	SN	Level-2-260C-1 YEAR	See TMCS1126BABQDVGRQ	1126BABQ1
<a href="#">TMCS1126BBAQDVGRQ1</a>	Active	Production	SOIC (DVG)   10	2000   LARGE T&R	Yes	SN	Level-2-260C-1 YEAR	-40 to 125	1126BBAQ1

Orderable part number	Status (1)	Material type (2)	Package   Pins	Package qty   Carrier	RoHS (3)	Lead finish/ Ball material (4)	MSL rating/ Peak reflow (5)	Op temp (°C)	Part marking (6)
TMCS1126BBAQDVGRQ1.A	Active	Production	null (null)	2000   LARGE T&R	-	SN	Level-2-260C-1 YEAR	See TMCS1126BBAQDVGRQ1	1126BBAQ1
<a href="#">TMCS1126BCAQDVGRQ1</a>	Active	Production	SOIC (DVG)   10	2000   LARGE T&R	Yes	SN	Level-2-260C-1 YEAR	-40 to 125	1126BCAQ1
TMCS1126BCAQDVGRQ1.A	Active	Production	null (null)	2000   LARGE T&R	-	SN	Level-2-260C-1 YEAR	See TMCS1126BCAQDVGRQ1	1126BCAQ1
<a href="#">TMCS1126BDAQDVGRQ1</a>	Active	Production	SOIC (DVG)   10	2000   LARGE T&R	Yes	SN	Level-2-260C-1 YEAR	-40 to 125	1126BDAQ1
TMCS1126BDAQDVGRQ1.A	Active	Production	null (null)	2000   LARGE T&R	-	SN	Level-2-260C-1 YEAR	See TMCS1126BDAQDVGRQ1	1126BDAQ1
<a href="#">TMCS1126C1AQDVGRQ1</a>	Active	Production	SOIC (DVG)   10	2000   LARGE T&R	Yes	SN	Level-2-260C-1 YEAR	-40 to 125	1126C1AQ1
TMCS1126C1AQDVGRQ1.A	Active	Production	null (null)	2000   LARGE T&R	-	SN	Level-2-260C-1 YEAR	See TMCS1126C1AQDVGRQ1	1126C1AQ1
<a href="#">TMCS1126C1BQDVGRQ1</a>	Active	Production	SOIC (DVG)   10	2000   LARGE T&R	Yes	SN	Level-2-260C-1 YEAR	-40 to 125	1126C1BQ1
TMCS1126C1BQDVGRQ1.A	Active	Production	null (null)	2000   LARGE T&R	-	SN	Level-2-260C-1 YEAR	See TMCS1126C1BQDVGRQ1	1126C1BQ1
<a href="#">TMCS1126C2AQDVGRQ1</a>	Active	Production	SOIC (DVG)   10	2000   LARGE T&R	Yes	SN	Level-2-260C-1 YEAR	-40 to 125	1126C2AQ1
TMCS1126C2AQDVGRQ1.A	Active	Production	null (null)	2000   LARGE T&R	-	SN	Level-2-260C-1 YEAR	See TMCS1126C2AQDVGRQ1	1126C2AQ1
<a href="#">TMCS1126C2BQDVGRQ1</a>	Active	Production	SOIC (DVG)   10	2000   LARGE T&R	Yes	SN	Level-2-260C-1 YEAR	-40 to 125	1126C2BQ1
TMCS1126C2BQDVGRQ1.A	Active	Production	null (null)	2000   LARGE T&R	-	SN	Level-2-260C-1 YEAR	See TMCS1126C2BQDVGRQ1	1126C2BQ1
<a href="#">TMCS1126C3AQDVGRQ1</a>	Active	Production	SOIC (DVG)   10	2000   LARGE T&R	Yes	SN	Level-2-260C-1 YEAR	-40 to 125	1126C3AQ1
TMCS1126C3AQDVGRQ1.A	Active	Production	null (null)	2000   LARGE T&R	-	SN	Level-2-260C-1 YEAR	See TMCS1126C3AQDVGRQ1	1126C3AQ1
<a href="#">TMCS1126C3BQDVGRQ1</a>	Active	Production	SOIC (DVG)   10	2000   LARGE T&R	Yes	SN	Level-2-260C-1 YEAR	-40 to 125	1126C3BQ1
TMCS1126C3BQDVGRQ1.A	Active	Production	null (null)	2000   LARGE T&R	-	SN	Level-2-260C-1 YEAR	See TMCS1126C3BQDVGRQ1	1126C3BQ1
<a href="#">TMCS1126C4AQDVGRQ1</a>	Active	Production	SOIC (DVG)   10	2000   LARGE T&R	Yes	SN	Level-2-260C-1 YEAR	-40 to 125	1126C4AQ1
TMCS1126C4AQDVGRQ1.A	Active	Production	null (null)	2000   LARGE T&R	-	SN	Level-2-260C-1 YEAR	See TMCS1126C4AQDVGRQ1	1126C4AQ1
<a href="#">TMCS1126C4BQDVGRQ1</a>	Active	Production	SOIC (DVG)   10	2000   LARGE T&R	Yes	SN	Level-2-260C-1 YEAR	-40 to 125	1126C4BQ1
TMCS1126C4BQDVGRQ1.A	Active	Production	null (null)	2000   LARGE T&R	-	SN	Level-2-260C-1 YEAR	See TMCS1126C4BQDVGRQ1	1126C4BQ1
<a href="#">TMCS1126C5AQDVGRQ1</a>	Active	Production	SOIC (DVG)   10	2000   LARGE T&R	Yes	SN	Level-2-260C-1 YEAR	-40 to 125	1126C5AQ1

Orderable part number	Status (1)	Material type (2)	Package   Pins	Package qty   Carrier	RoHS (3)	Lead finish/ Ball material (4)	MSL rating/ Peak reflow (5)	Op temp (°C)	Part marking (6)
TMCS1126C5AQDVGRQ1.A	Active	Production	null (null)	2000   LARGE T&R	-	SN	Level-2-260C-1 YEAR	See TMCS1126C5AQDVGRQ	1126C5AQ1
<a href="#">TMCS1126C5BQDVGRQ1</a>	Active	Production	SOIC (DVG)   10	2000   LARGE T&R	Yes	SN	Level-2-260C-1 YEAR	-40 to 125	1126C5BQ1
TMCS1126C5BQDVGRQ1.A	Active	Production	null (null)	2000   LARGE T&R	-	SN	Level-2-260C-1 YEAR	See TMCS1126C5BQDVGRQ	1126C5BQ1

<sup>(1)</sup> **Status:** For more details on status, see our [product life cycle](#).

<sup>(2)</sup> **Material type:** When designated, preproduction parts are prototypes/experimental devices, and are not yet approved or released for full production. Testing and final process, including without limitation quality assurance, reliability performance testing, and/or process qualification, may not yet be complete, and this item is subject to further changes or possible discontinuation. If available for ordering, purchases will be subject to an additional waiver at checkout, and are intended for early internal evaluation purposes only. These items are sold without warranties of any kind.

<sup>(3)</sup> **RoHS values:** Yes, No, RoHS Exempt. See the [TI RoHS Statement](#) for additional information and value definition.

<sup>(4)</sup> **Lead finish/Ball material:** Parts may have multiple material finish options. Finish options are separated by a vertical ruled line. Lead finish/Ball material values may wrap to two lines if the finish value exceeds the maximum column width.

<sup>(5)</sup> **MSL rating/Peak reflow:** The moisture sensitivity level ratings and peak solder (reflow) temperatures. In the event that a part has multiple moisture sensitivity ratings, only the lowest level per JEDEC standards is shown. Refer to the shipping label for the actual reflow temperature that will be used to mount the part to the printed circuit board.

<sup>(6)</sup> **Part marking:** There may be an additional marking, which relates to the logo, the lot trace code information, or the environmental category of the part.

Multiple part markings will be inside parentheses. Only one part marking contained in parentheses and separated by a "~" will appear on a part. If a line is indented then it is a continuation of the previous line and the two combined represent the entire part marking for that device.

**Important Information and Disclaimer:**The information provided on this page represents TI's knowledge and belief as of the date that it is provided. TI bases its knowledge and belief on information provided by third parties, and makes no representation or warranty as to the accuracy of such information. Efforts are underway to better integrate information from third parties. TI has taken and continues to take reasonable steps to provide representative and accurate information but may not have conducted destructive testing or chemical analysis on incoming materials and chemicals. TI and TI suppliers consider certain information to be proprietary, and thus CAS numbers and other limited information may not be available for release.

In no event shall TI's liability arising out of such information exceed the total purchase price of the TI part(s) at issue in this document sold by TI to Customer on an annual basis.

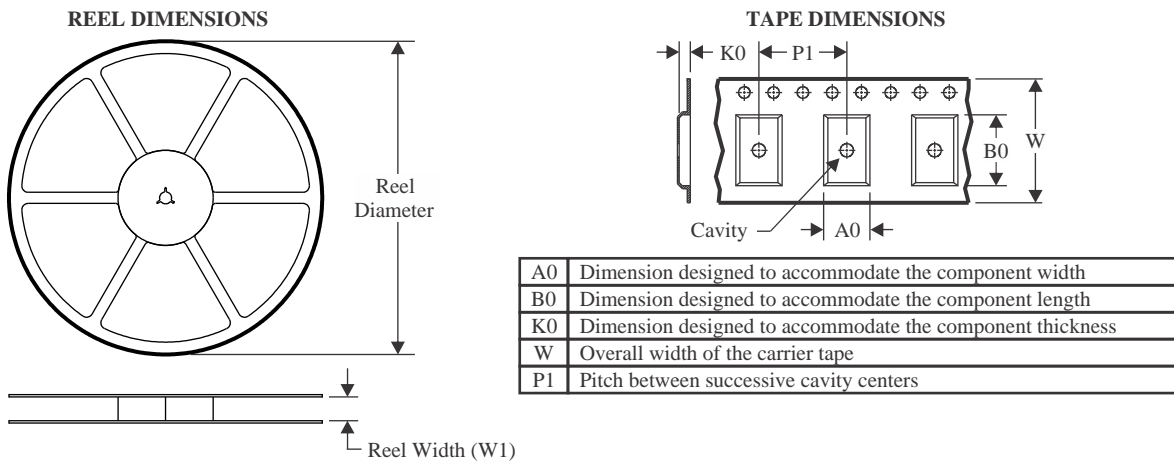
**OTHER QUALIFIED VERSIONS OF TMCS1126-Q1 :**

- Catalog : [TMCS1126](#)

NOTE: Qualified Version Definitions:

- Catalog - TI's standard catalog product

## TAPE AND REEL INFORMATION



### QUADRANT ASSIGNMENTS FOR PIN 1 ORIENTATION IN TAPE



\*All dimensions are nominal

Device	Package Type	Package Drawing	Pins	SPQ	Reel Diameter (mm)	Reel Width W1 (mm)	A0 (mm)	B0 (mm)	K0 (mm)	P1 (mm)	W (mm)	Pin1 Quadrant
TMCS1126A1AQDVGRQ1	SOIC	DVG	10	2000	330.0	16.4	10.75	10.7	2.7	12.0	16.0	Q1
TMCS1126A1BQDVGRQ1	SOIC	DVG	10	2000	330.0	16.4	10.75	10.7	2.7	12.0	16.0	Q1
TMCS1126A2AQDVGRQ1	SOIC	DVG	10	2000	330.0	16.4	10.75	10.7	2.7	12.0	16.0	Q1
TMCS1126A2BQDVGRQ1	SOIC	DVG	10	2000	330.0	16.4	10.75	10.7	2.7	12.0	16.0	Q1
TMCS1126A3AQDVGRQ1	SOIC	DVG	10	2000	330.0	16.4	10.75	10.7	2.7	12.0	16.0	Q1
TMCS1126A3BQDVGRQ1	SOIC	DVG	10	2000	330.0	16.4	10.75	10.7	2.7	12.0	16.0	Q1
TMCS1126A4AQDVGRQ1	SOIC	DVG	10	2000	330.0	16.4	10.75	10.7	2.7	12.0	16.0	Q1
TMCS1126A4BQDVGRQ1	SOIC	DVG	10	2000	330.0	16.4	10.75	10.7	2.7	12.0	16.0	Q1
TMCS1126A5AQDVGRQ1	SOIC	DVG	10	2000	330.0	16.4	10.75	10.7	2.7	12.0	16.0	Q1
TMCS1126A5BQDVGRQ1	SOIC	DVG	10	2000	330.0	16.4	10.75	10.7	2.7	12.0	16.0	Q1
TMCS1126A7AQDVGRQ1	SOIC	DVG	10	2000	330.0	16.4	10.75	10.7	2.7	12.0	16.0	Q1
TMCS1126A7BQDVGRQ1	SOIC	DVG	10	2000	330.0	16.4	10.75	10.7	2.7	12.0	16.0	Q1
TMCS1126A8AQDVGRQ1	SOIC	DVG	10	2000	330.0	16.4	10.75	10.7	2.7	12.0	16.0	Q1
TMCS1126A8BQDVGRQ1	SOIC	DVG	10	2000	330.0	16.4	10.75	10.7	2.7	12.0	16.0	Q1
TMCS1126B1AQDVGRQ1	SOIC	DVG	10	2000	330.0	16.4	10.75	10.7	2.7	12.0	16.0	Q1
TMCS1126B1BQDVGRQ1	SOIC	DVG	10	2000	330.0	16.4	10.75	10.7	2.7	12.0	16.0	Q1

Device	Package Type	Package Drawing	Pins	SPQ	Reel Diameter (mm)	Reel Width W1 (mm)	A0 (mm)	B0 (mm)	K0 (mm)	P1 (mm)	W (mm)	Pin1 Quadrant
TMCS1126B2AQDVGRQ1	SOIC	DVG	10	2000	330.0	16.4	10.75	10.7	2.7	12.0	16.0	Q1
TMCS1126B2BQDVGRQ1	SOIC	DVG	10	2000	330.0	16.4	10.75	10.7	2.7	12.0	16.0	Q1
TMCS1126B3AQDVGRQ1	SOIC	DVG	10	2000	330.0	16.4	10.75	10.7	2.7	12.0	16.0	Q1
TMCS1126B3BQDVGRQ1	SOIC	DVG	10	2000	330.0	16.4	10.75	10.7	2.7	12.0	16.0	Q1
TMCS1126B4AQDVGRQ1	SOIC	DVG	10	2000	330.0	16.4	10.75	10.7	2.7	12.0	16.0	Q1
TMCS1126B4BQDVGRQ1	SOIC	DVG	10	2000	330.0	16.4	10.75	10.7	2.7	12.0	16.0	Q1
TMCS1126B5AQDVGRQ1	SOIC	DVG	10	2000	330.0	16.4	10.75	10.7	2.7	12.0	16.0	Q1
TMCS1126B5BQDVGRQ1	SOIC	DVG	10	2000	330.0	16.4	10.75	10.7	2.7	12.0	16.0	Q1
TMCS1126B6AQDVGRQ1	SOIC	DVG	10	2000	330.0	16.4	10.75	10.7	2.7	12.0	16.0	Q1
TMCS1126B6BQDVGRQ1	SOIC	DVG	10	2000	330.0	16.4	10.75	10.7	2.7	12.0	16.0	Q1
TMCS1126B8AQDVGRQ1	SOIC	DVG	10	2000	330.0	16.4	10.75	10.7	2.7	12.0	16.0	Q1
TMCS1126B8BQDVGRQ1	SOIC	DVG	10	2000	330.0	16.4	10.75	10.7	2.7	12.0	16.0	Q1
TMCS1126B9AQDVGRQ1	SOIC	DVG	10	2000	330.0	16.4	10.75	10.7	2.7	12.0	16.0	Q1
TMCS1126B9BQDVGRQ1	SOIC	DVG	10	2000	330.0	16.4	10.75	10.7	2.7	12.0	16.0	Q1
TMCS1126BAAQDVGRQ1	SOIC	DVG	10	2000	330.0	16.4	10.75	10.7	2.7	12.0	16.0	Q1
TMCS1126BABQDVGRQ1	SOIC	DVG	10	2000	330.0	16.4	10.75	10.7	2.7	12.0	16.0	Q1
TMCS1126BBAQDVGRQ1	SOIC	DVG	10	2000	330.0	16.4	10.75	10.7	2.7	12.0	16.0	Q1
TMCS1126BCAQDVGRQ1	SOIC	DVG	10	2000	330.0	16.4	10.75	10.7	2.7	12.0	16.0	Q1
TMCS1126BDAQDVGRQ1	SOIC	DVG	10	2000	330.0	16.4	10.75	10.7	2.7	12.0	16.0	Q1
TMCS1126C1AQDVGRQ1	SOIC	DVG	10	2000	330.0	16.4	10.75	10.7	2.7	12.0	16.0	Q1
TMCS1126C1BQDVGRQ1	SOIC	DVG	10	2000	330.0	16.4	10.75	10.7	2.7	12.0	16.0	Q1
TMCS1126C2AQDVGRQ1	SOIC	DVG	10	2000	330.0	16.4	10.75	10.7	2.7	12.0	16.0	Q1
TMCS1126C2BQDVGRQ1	SOIC	DVG	10	2000	330.0	16.4	10.75	10.7	2.7	12.0	16.0	Q1
TMCS1126C3AQDVGRQ1	SOIC	DVG	10	2000	330.0	16.4	10.75	10.7	2.7	12.0	16.0	Q1
TMCS1126C3BQDVGRQ1	SOIC	DVG	10	2000	330.0	16.4	10.75	10.7	2.7	12.0	16.0	Q1
TMCS1126C4AQDVGRQ1	SOIC	DVG	10	2000	330.0	16.4	10.75	10.7	2.7	12.0	16.0	Q1
TMCS1126C4BQDVGRQ1	SOIC	DVG	10	2000	330.0	16.4	10.75	10.7	2.7	12.0	16.0	Q1
TMCS1126C5AQDVGRQ1	SOIC	DVG	10	2000	330.0	16.4	10.75	10.7	2.7	12.0	16.0	Q1
TMCS1126C5BQDVGRQ1	SOIC	DVG	10	2000	330.0	16.4	10.75	10.7	2.7	12.0	16.0	Q1

**TAPE AND REEL BOX DIMENSIONS**


\*All dimensions are nominal

Device	Package Type	Package Drawing	Pins	SPQ	Length (mm)	Width (mm)	Height (mm)
TMCS1126A1AQDVGRQ1	SOIC	DVG	10	2000	350.0	350.0	43.0
TMCS1126A1BQDVGRQ1	SOIC	DVG	10	2000	350.0	350.0	43.0
TMCS1126A2AQDVGRQ1	SOIC	DVG	10	2000	350.0	350.0	43.0
TMCS1126A2BQDVGRQ1	SOIC	DVG	10	2000	350.0	350.0	43.0
TMCS1126A3AQDVGRQ1	SOIC	DVG	10	2000	350.0	350.0	43.0
TMCS1126A3BQDVGRQ1	SOIC	DVG	10	2000	350.0	350.0	43.0
TMCS1126A4AQDVGRQ1	SOIC	DVG	10	2000	350.0	350.0	43.0
TMCS1126A4BQDVGRQ1	SOIC	DVG	10	2000	350.0	350.0	43.0
TMCS1126A5AQDVGRQ1	SOIC	DVG	10	2000	350.0	350.0	43.0
TMCS1126A5BQDVGRQ1	SOIC	DVG	10	2000	350.0	350.0	43.0
TMCS1126A7AQDVGRQ1	SOIC	DVG	10	2000	350.0	350.0	43.0
TMCS1126A7BQDVGRQ1	SOIC	DVG	10	2000	350.0	350.0	43.0
TMCS1126A8AQDVGRQ1	SOIC	DVG	10	2000	350.0	350.0	43.0
TMCS1126A8BQDVGRQ1	SOIC	DVG	10	2000	350.0	350.0	43.0
TMCS1126B1AQDVGRQ1	SOIC	DVG	10	2000	350.0	350.0	43.0
TMCS1126B1BQDVGRQ1	SOIC	DVG	10	2000	350.0	350.0	43.0
TMCS1126B2AQDVGRQ1	SOIC	DVG	10	2000	350.0	350.0	43.0
TMCS1126B2BQDVGRQ1	SOIC	DVG	10	2000	350.0	350.0	43.0

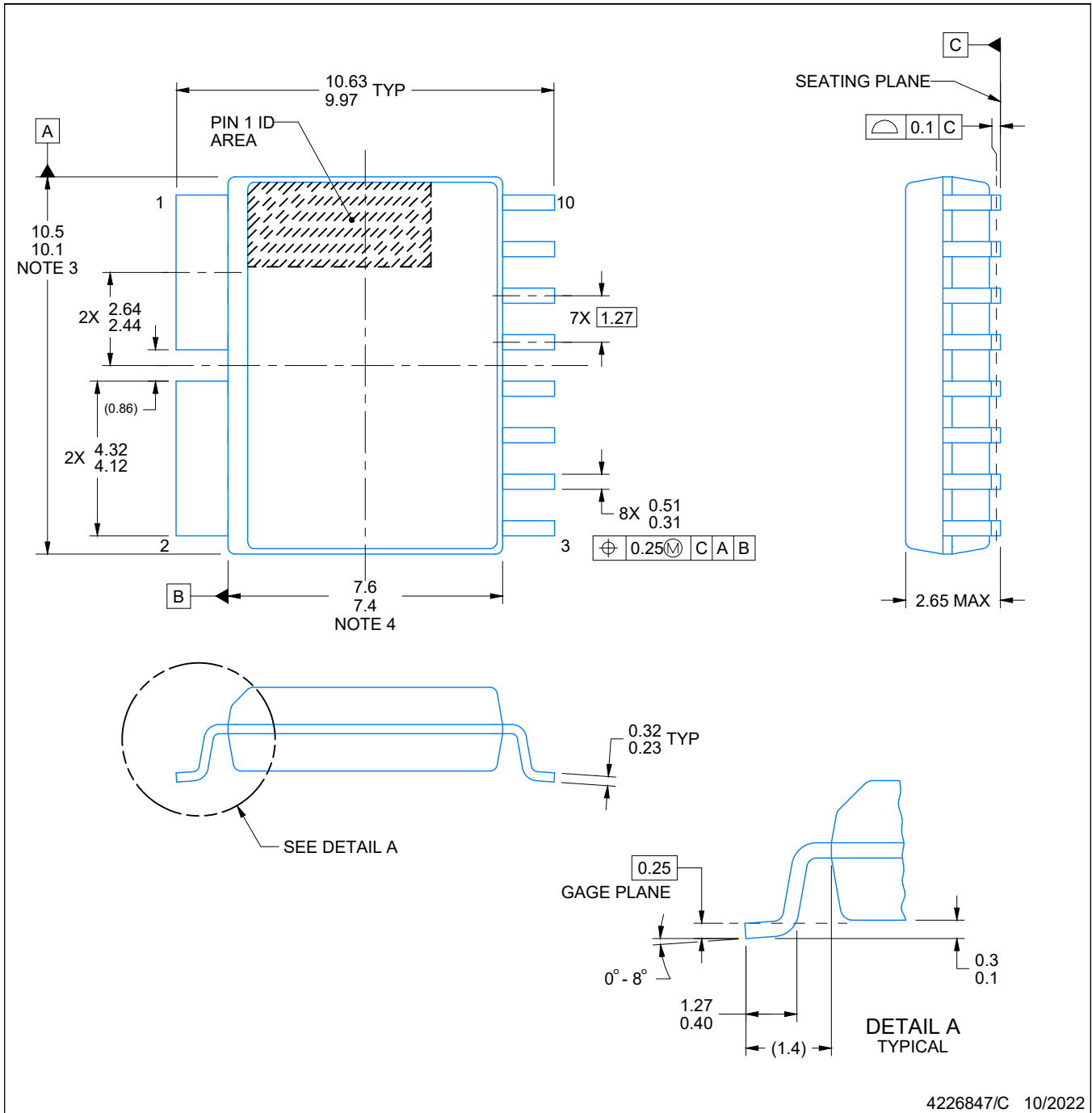
Device	Package Type	Package Drawing	Pins	SPQ	Length (mm)	Width (mm)	Height (mm)
TMCS1126B3AQDVGRQ1	SOIC	DVG	10	2000	350.0	350.0	43.0
TMCS1126B3BQDVGRQ1	SOIC	DVG	10	2000	350.0	350.0	43.0
TMCS1126B4AQDVGRQ1	SOIC	DVG	10	2000	350.0	350.0	43.0
TMCS1126B4BQDVGRQ1	SOIC	DVG	10	2000	350.0	350.0	43.0
TMCS1126B5AQDVGRQ1	SOIC	DVG	10	2000	350.0	350.0	43.0
TMCS1126B5BQDVGRQ1	SOIC	DVG	10	2000	350.0	350.0	43.0
TMCS1126B6AQDVGRQ1	SOIC	DVG	10	2000	350.0	350.0	43.0
TMCS1126B6BQDVGRQ1	SOIC	DVG	10	2000	350.0	350.0	43.0
TMCS1126B8AQDVGRQ1	SOIC	DVG	10	2000	350.0	350.0	43.0
TMCS1126B8BQDVGRQ1	SOIC	DVG	10	2000	350.0	350.0	43.0
TMCS1126B9AQDVGRQ1	SOIC	DVG	10	2000	350.0	350.0	43.0
TMCS1126B9BQDVGRQ1	SOIC	DVG	10	2000	350.0	350.0	43.0
TMCS1126BAAQDVGRQ1	SOIC	DVG	10	2000	350.0	350.0	43.0
TMCS1126BABQDVGRQ1	SOIC	DVG	10	2000	350.0	350.0	43.0
TMCS1126BBAQDVGRQ1	SOIC	DVG	10	2000	350.0	350.0	43.0
TMCS1126BCAQDVGRQ1	SOIC	DVG	10	2000	350.0	350.0	43.0
TMCS1126BDAQDVGRQ1	SOIC	DVG	10	2000	350.0	350.0	43.0
TMCS1126C1AQDVGRQ1	SOIC	DVG	10	2000	350.0	350.0	43.0
TMCS1126C1BQDVGRQ1	SOIC	DVG	10	2000	350.0	350.0	43.0
TMCS1126C2AQDVGRQ1	SOIC	DVG	10	2000	350.0	350.0	43.0
TMCS1126C2BQDVGRQ1	SOIC	DVG	10	2000	350.0	350.0	43.0
TMCS1126C3AQDVGRQ1	SOIC	DVG	10	2000	350.0	350.0	43.0
TMCS1126C3BQDVGRQ1	SOIC	DVG	10	2000	350.0	350.0	43.0
TMCS1126C4AQDVGRQ1	SOIC	DVG	10	2000	350.0	350.0	43.0
TMCS1126C4BQDVGRQ1	SOIC	DVG	10	2000	350.0	350.0	43.0
TMCS1126C5AQDVGRQ1	SOIC	DVG	10	2000	350.0	350.0	43.0
TMCS1126C5BQDVGRQ1	SOIC	DVG	10	2000	350.0	350.0	43.0

# PACKAGE OUTLINE

DVG0010A

SOIC - 2.65 mm max height

SMALL OUTLINE PACKAGE



4226847/C 10/2022

NOTES:

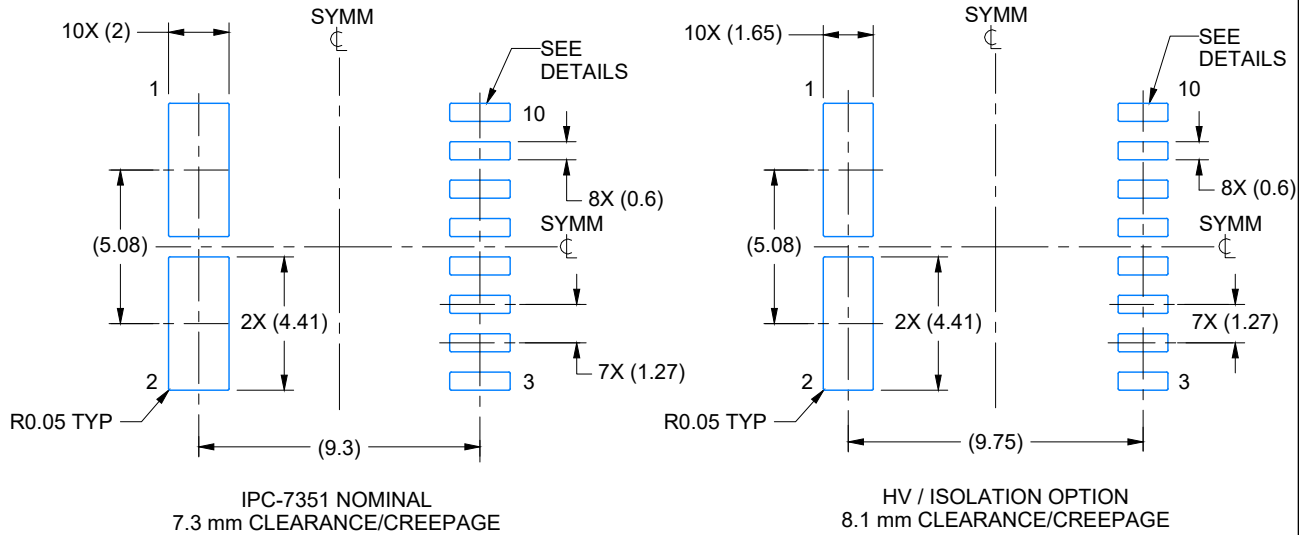
1. All linear dimensions are in millimeters. Dimensions in parenthesis are for reference only. Dimensioning and tolerancing per ASME Y14.5M.
2. This drawing is subject to change without notice.
3. This dimension does not include mold flash, protrusions, or gate burrs. Mold flash, protrusions, or gate burrs shall not exceed 0.15 mm, per side.
4. This dimension does not include interlead flash. Interlead flash shall not exceed 0.25 mm, per side.
5. Reference JEDEC registration MS-013.

# EXAMPLE BOARD LAYOUT

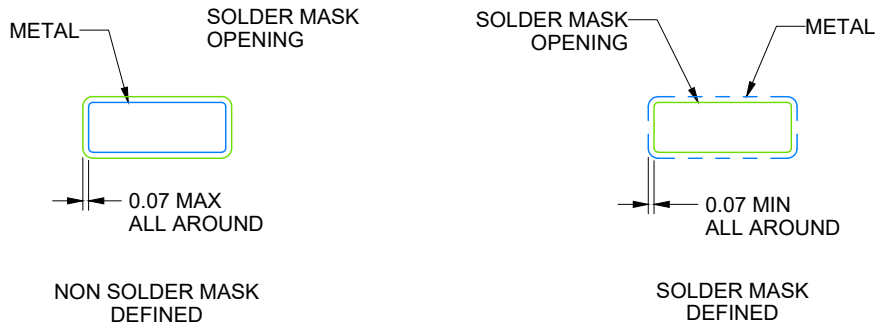
DVG0010A

SOIC - 2.65 mm max height

SMALL OUTLINE PACKAGE



LAND PATTERN EXAMPLE  
SCALE:4X



SOLDER MASK DETAILS

4226847/C 10/2022

NOTES: (continued)

6. Publication IPC-7351 may have alternate designs.

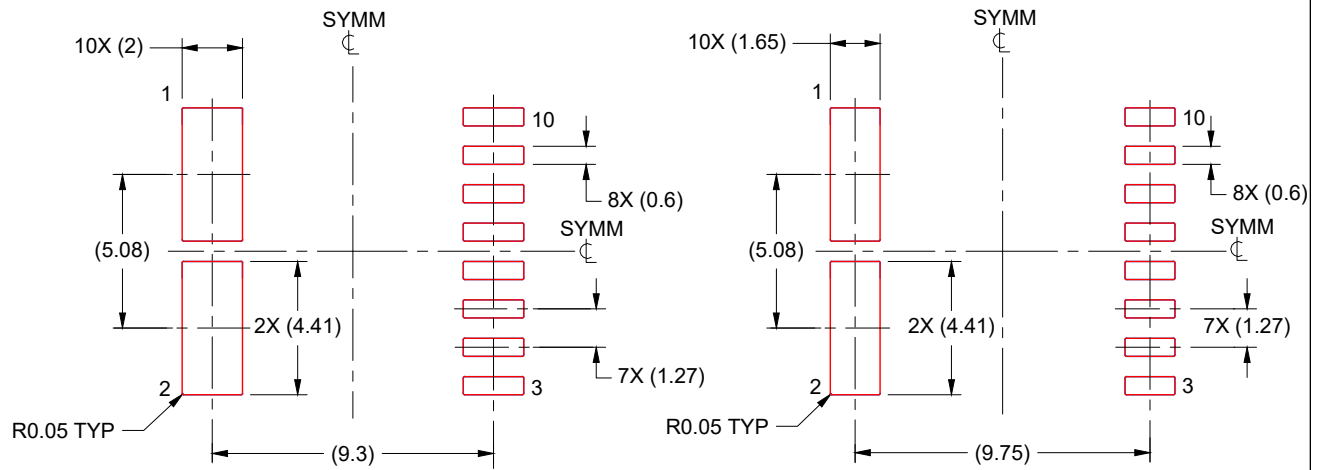
7. Solder mask tolerances between and around signal pads can vary based on board fabrication site.

# EXAMPLE STENCIL DESIGN

DVG0010A

SOIC - 2.65 mm max height

SMALL OUTLINE PACKAGE



IPC-7351 NOMINAL  
7.3 mm CLEARANCE/CREEPAGE

HV / ISOLATION OPTION  
8.1 mm CLEARANCE/CREEPAGE

SOLDER PASTE EXAMPLE  
BASED ON 0.125 mm THICK STENCIL  
SCALE:4X

4226847/C 10/2022

NOTES: (continued)

8. Laser cutting apertures with trapezoidal walls and rounded corners may offer better paste release. IPC-7525 may have alternate design recommendations.
9. Board assembly site may have different recommendations for stencil design.

## IMPORTANT NOTICE AND DISCLAIMER

TI PROVIDES TECHNICAL AND RELIABILITY DATA (INCLUDING DATA SHEETS), DESIGN RESOURCES (INCLUDING REFERENCE DESIGNS), APPLICATION OR OTHER DESIGN ADVICE, WEB TOOLS, SAFETY INFORMATION, AND OTHER RESOURCES "AS IS" AND WITH ALL FAULTS, AND DISCLAIMS ALL WARRANTIES, EXPRESS AND IMPLIED, INCLUDING WITHOUT LIMITATION ANY IMPLIED WARRANTIES OF MERCHANTABILITY, FITNESS FOR A PARTICULAR PURPOSE OR NON-INFRINGEMENT OF THIRD PARTY INTELLECTUAL PROPERTY RIGHTS.

These resources are intended for skilled developers designing with TI products. You are solely responsible for (1) selecting the appropriate TI products for your application, (2) designing, validating and testing your application, and (3) ensuring your application meets applicable standards, and any other safety, security, regulatory or other requirements.

These resources are subject to change without notice. TI grants you permission to use these resources only for development of an application that uses the TI products described in the resource. Other reproduction and display of these resources is prohibited. No license is granted to any other TI intellectual property right or to any third party intellectual property right. TI disclaims responsibility for, and you will fully indemnify TI and its representatives against, any claims, damages, costs, losses, and liabilities arising out of your use of these resources.

TI's products are provided subject to [TI's Terms of Sale](#) or other applicable terms available either on [ti.com](https://www.ti.com) or provided in conjunction with such TI products. TI's provision of these resources does not expand or otherwise alter TI's applicable warranties or warranty disclaimers for TI products.

TI objects to and rejects any additional or different terms you may have proposed.

Mailing Address: Texas Instruments, Post Office Box 655303, Dallas, Texas 75265

Copyright © 2025, Texas Instruments Incorporated