

# Isolated Feedback Generator

## FEATURES

- An Amplitude-Modulation System for Transformer Coupling an Isolated Feedback Error Signal
- Low-Cost Alternative to Optical Couplers
- Internal 1% Reference and Error Amplifier
- Internal Carrier Oscillator Usable to 5MHz
- Modulator Synchronizable to an External Clock
- Loop Status Monitor

## DESCRIPTION

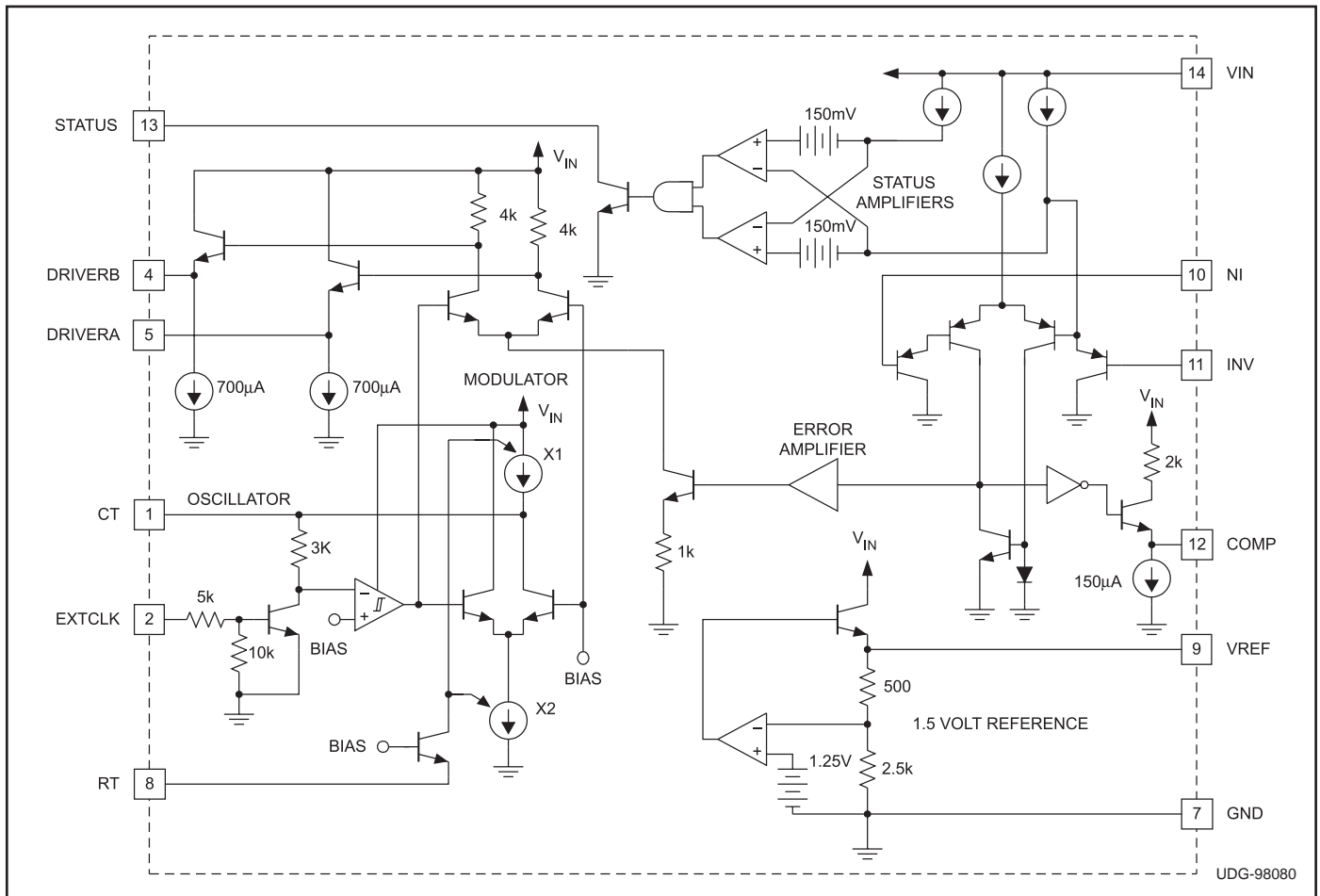
The UC1901 family is designed to solve many of the problems associated with closing a feedback control loop across a voltage isolation boundary. As a stable and reliable alternative to an optical coupler, these devices feature an amplitude modulation system which allows a loop error signal to be coupled with a small RF transformer or capacitor.

The programmable, high-frequency oscillator within the UC1901 series permits the use of smaller, less expensive transformers which can readily be built to meet the isolation requirements of today's line-operated power systems. As an alternative to RF operation, the external clock input to these devices allows synchronization to a system clock or to the switching frequency of a SMPS.

An additional feature is a status monitoring circuit which provides an active-low output when the sensed error voltage is within  $\pm 10\%$  of the reference. The DRIVERB output, DRIVERA output, and STATUS output are disabled until the input supply has reached a sufficient level to allow proper operation of the device.

Since these devices can also be used as a DC driver for optical couplers, the benefits of 4.5 to 40V supply operation, a 1% accurate reference, and a high gain general purpose amplifier offer advantages even though an AC system may not be desired.

## UC1901 SIMPLIFIED SCHEMATIC



### ABSOLUTE MAXIMUM RATINGS (Note 1)

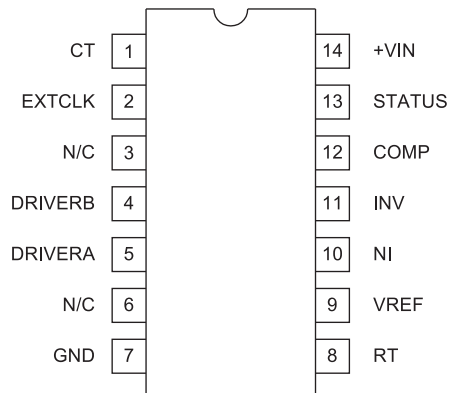
|   |                 |
|---|-----------------|
| Input Supply Voltage, $V_{IN}$ .....                | 40V             |
| Reference Output Current .....                      | -10mA           |
| Driver Output Currents .....                        | -35mA           |
| Status Indicator Voltage .....                      | 40V             |
| Status Indicator Current .....                      | 20mA            |
| Ext. Clock Input .....                              | 40V             |
| Error Amplifier Inputs .....                        | -0.5V to +35V   |
| Power Dissipation at $T_A = 25^\circ\text{C}$ ..... | 1000mW          |
| Power Dissipation at $T_c = 25^\circ\text{C}$ ..... | 2000mW          |
| Operating Junction Temperature .....                | -55°C to +150°C |
| Storage Temperature .....                           | -65°C to +150°C |
| Lead Temperature (Soldering, 10 seconds) .....      | 300°C           |

**Note 1:** Voltages are referenced to ground, Pin 7. Currents are positive into, negative out of the specified terminal.

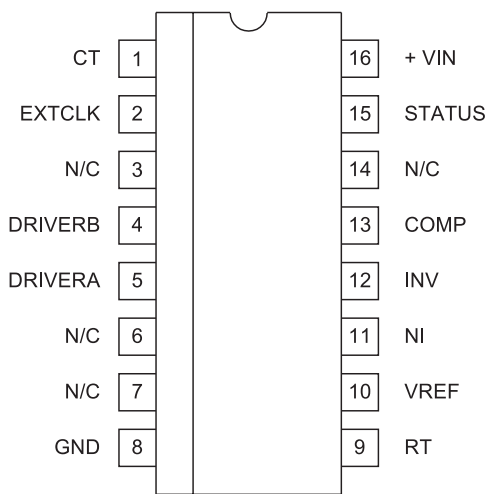
**Note 2:** Consult Packaging section of Databook for thermal limitations and considerations of package.

### CONNECTION DIAGRAMS

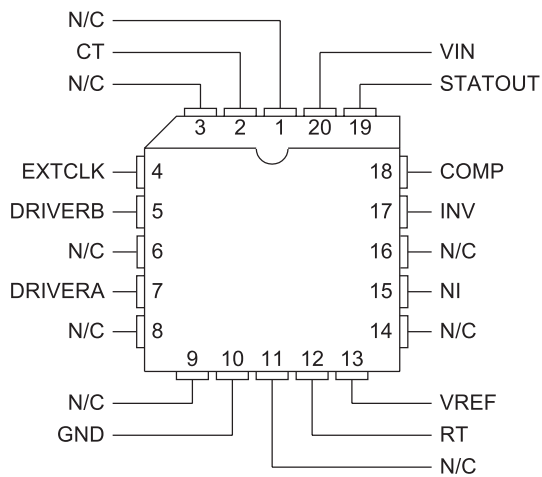
#### DIL-14, SOIC-14 (TOP VIEW) J or N Package, D Package



#### SOIC-16 Wide (TOP VIEW) DW Package



#### PLCC-20, LCC-20 (TOP VIEW) Q, L Packages



### TEMPERATURE AND PACKAGE SELECTION GUIDE

|        | TEMPERATURE RANGE | AVAILABLE PACKAGES |
|--------|-------------------|--------------------|
| UC1901 | -55°C to +125°C   | J, L               |
| UC2901 | -40°C to +85°C    | D, DW, J, N, Q     |
| UC3901 | 0°C to +70°C      | D, DW, J, N, Q     |

**ELECTRICAL CHARACTERISTICS** Unless otherwise stated, these specifications apply for  $V_{IN} = 10V$ ,  $R_T = 10k\Omega$ ,  $C_T = 820pF$ ,  $T_A = T_J$ .

| PARAMETER  | TEST CONDITIONS                                | UC1901/UC2901 |           |           | UC3901    |           |           | UNITS      |
|--|--|---------------|-----------|-----------|-----------|-----------|-----------|------------|
|  |  | MIN           | TYP       | MAX       | MIN       | TYP       | MAX       |            |
| <b>Reference Section</b>                                       |  |               |           |           |           |           |           |            |
| Output Voltage   | $T_J = 25^\circ C$                             | 1.485         | 1.5       | 1.515     | 1.47      | 1.5       | 1.53      | V          |
|  | $T_{MIN} \leq T_J \leq T_{MAX}$                | 1.470         | 1.5       | 1.530     | 1.455     | 1.5       | 1.545     |            |
| Line Regulation  | $V_{IN} = 4.5$ to $35V$                        |               | 2         | 10        |           | 2         | 15        | mV         |
| Load Regulation  | $I_{OUT} = 0$ to $5mA$                         |               | 4         | 10        |           | 4         | 15        | mV         |
| Short Circuit Current  | $T_J = 25^\circ C$                             |               | -35       | -55       |           | -35       | -55       | mV         |
| <b>Error Amplifier Section (To Compensation Terminal)</b>      |  |               |           |           |           |           |           |            |
| Input Offset Voltage   | $V_{CM} = 1.5V$                                |               | 1         | 4         |           | 1         | 8         | mV         |
| Input Bias Current   | $V_{CM} = 1.5V$                                |               | -1        | -3        |           | -1        | -6        | $\mu A$    |
| Input Offset Current   | $V_{CM} = 1.5V$                                |               | 0.1       | 1         |           | 0.1       | 2         | $\mu A$    |
| Small Signal Open Loop Gain                                    |  | 40            | 60        |           | 40        | 60        |           | dB         |
| CMRR   | $V_{CM} = 0.5$ to $7.5V$                       | 60            | 80        |           | 60        | 80        |           | dB         |
| PSRR   | $V_{IN} = 5$ to $25V$                          | 80            | 100       |           | 80        | 100       |           | dB         |
| Output Swing, $\Delta V_o$                                     |  | 0.4           | 0.7       |           | 0.4       | 0.7       |           | V          |
| Maximum Sink Current   |  | 90            | 150       |           | 90        | 150       |           | $\mu A$    |
| Maximum Source Current   |  | -2            | -3        |           | -2        | -3        |           | mA         |
| Gain Band Width Product  |  |               | 1         |           |           | 1         |           | MHz        |
| Slew Rate  |  |               | 0.3       |           |           | 0.3       |           | V/ $\mu S$ |
| <b>Modulators/Drivers Section (From Compensation Terminal)</b> |  |               |           |           |           |           |           |            |
| Voltage Gain   |  | 11            | 12        | 13        | 10        | 12        | 14        | dB         |
| Output Swing   |  | $\pm 1.6$     | $\pm 2.8$ |           | $\pm 1.6$ | $\pm 2.8$ |           | V          |
| Driver Sink Current  |  | 500           | 700       |           | 500       | 700       |           | $\mu A$    |
| Driver Source Current  |  | -15           | -35       |           | -15       | -35       |           | mA         |
| Gain Band Width Product  |  |               | 25        |           |           | 25        |           | MHz        |
| <b>Oscillator Section</b>                                      |  |               |           |           |           |           |           |            |
| Initial Accuracy   | $T_J = 25^\circ C$                             | 140           | 150       | 160       | 130       | 150       | 170       | kHz        |
|  | $T_{MIN} \leq T_J \leq T_{MAX}$                | 130           |           | 170       | 120       |           | 180       | kHz        |
| Line Sensitivity   | $V_{IN} = 5$ to $35V$                          |               | .15       | .35       |           | .15       | .60       | %/V        |
| Maximum Frequency  | $R_T = 10k$ , $C_T = 10pF$                     |               | 5         |           |           | 5         |           | MHz        |
| Ext. Clock Low Threshold                                       | Pin 1 ( $C_T$ ) = $V_{IN}$                     | 0.5           |           |           | 0.5       |           |           | V          |
| Ext. Clock High Threshold                                      | Pin 1 ( $C_T$ ) = $V_{IN}$                     |               |           | 1.6       |           |           | 1.6       | V          |
| <b>Status Indicator Section</b>                                |  |               |           |           |           |           |           |            |
| Input Voltage Window   | @ E/A Inputs, $V_{CM} = 1.5V$                  | $\pm 135$     | $\pm 150$ | $\pm 165$ | $\pm 130$ | $\pm 150$ | $\pm 170$ | mV         |
| Saturation Voltage   | E/A $\Delta$ Input = $0V$ , $I_{SINK} = 1.6mA$ |               |           | 0.45      |           |           | 0.45      | V          |
| Max. Output Current  | Pin 13 = $3V$ , E/A $\Delta$ Input = $0.0V$    | 8             | 15        |           | 8         | 15        |           | mA         |
| Leakage Current  | Pin 13 = $40V$ , E/A $\Delta$ Input = $0.2V$   |               | .05       | 1         |           | .05       | 5         | $\mu A$    |
| Supply Current   | $V_{IN} = 35V$                                 |               | 5         | 8         |           | 5         | 10        | mA         |
| <b>UVLO Section</b>  |  |               |           |           |           |           |           |            |
| Drivers Enabled Threshold                                      | At Input Supply $V_{IN}$                       |               | 3.9       | 4.5       |           | 3.9       | 4.5       | V          |
| Status Output Enabled Threshold                                | At Input Supply $V_{IN}$                       |               | 3.9       | 4.5       |           | 3.9       | 4.5       | V          |
| Change in Reference Output                                     | When $V_{IN}$ Reaches UVLO Threshold           |               | -2        | -30       |           | -2        | -30       | mV         |

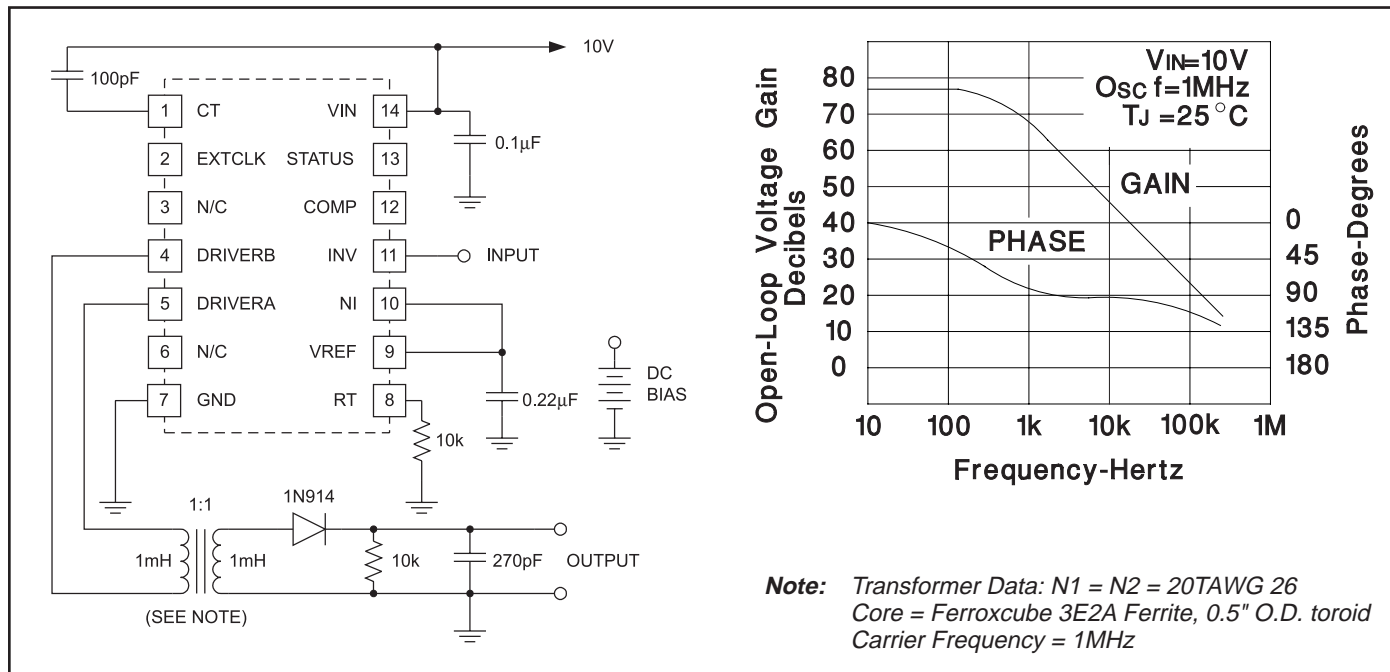


Figure 1. Transformer Coupled Open Loop Transfer Function

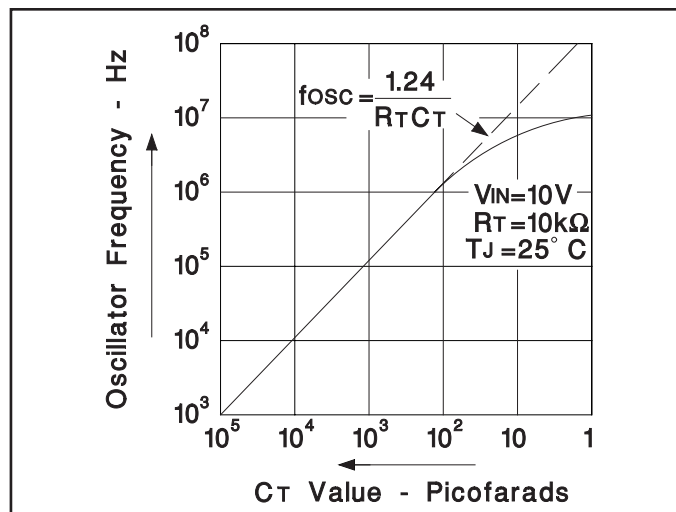


Figure 2. Oscillator Frequency

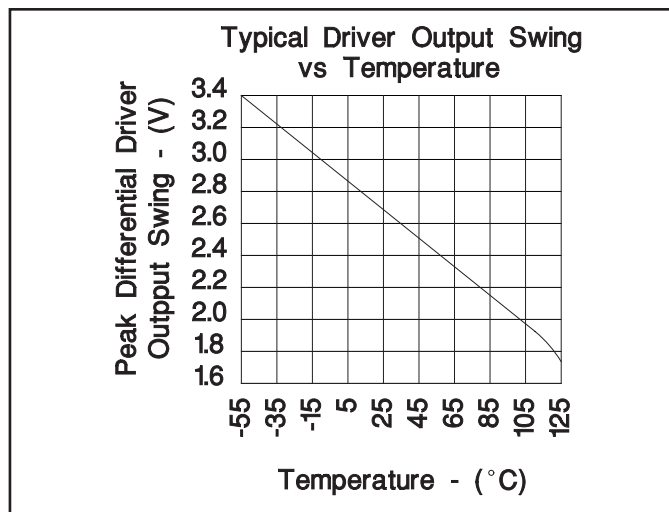


Figure 3. Typical Driver Output Swing vs Temperature

## APPLICATION INFORMATION

The error amplifier compensation terminal, Pin 12, is intended as a source of feedback to the amplifier's inverting input at Pin 11. For most applications, a series DC blocking capacitor should be part of the feedback network. The amplifier is internally compensated for unity feedback.

The waveform at the driver outputs is a squarewave with an amplitude that is proportional to the error amplifier input signal. There is a fixed 12dB of gain from the error amplifier compensation pin to the modulator driver outputs. The frequency of the output waveform is controlled by either the internal oscillator or an external clock signal.

With the internal oscillator the squarewave will have a fixed 50% duty cycle. If the internal oscillator is disabled by connecting Pin 1,  $C_R$ , to  $V_{IN}$  then the frequency and duty cycle of the output will be determined by the input clock waveform at Pin 2. If the oscillator remains disabled and there is not clock input at Pin 2, there will be a linear 12dB of signal gain to one or the other of the driver outputs depending on the DC state of Pin 2.

The driver outputs are emitter followers which will source a minimum of 15mA of current. The sink current, internally limited at 700 $\mu$ A, can be increased by adding resistors to ground at the driver outputs.

APPLICATION INFORMATION (continued)

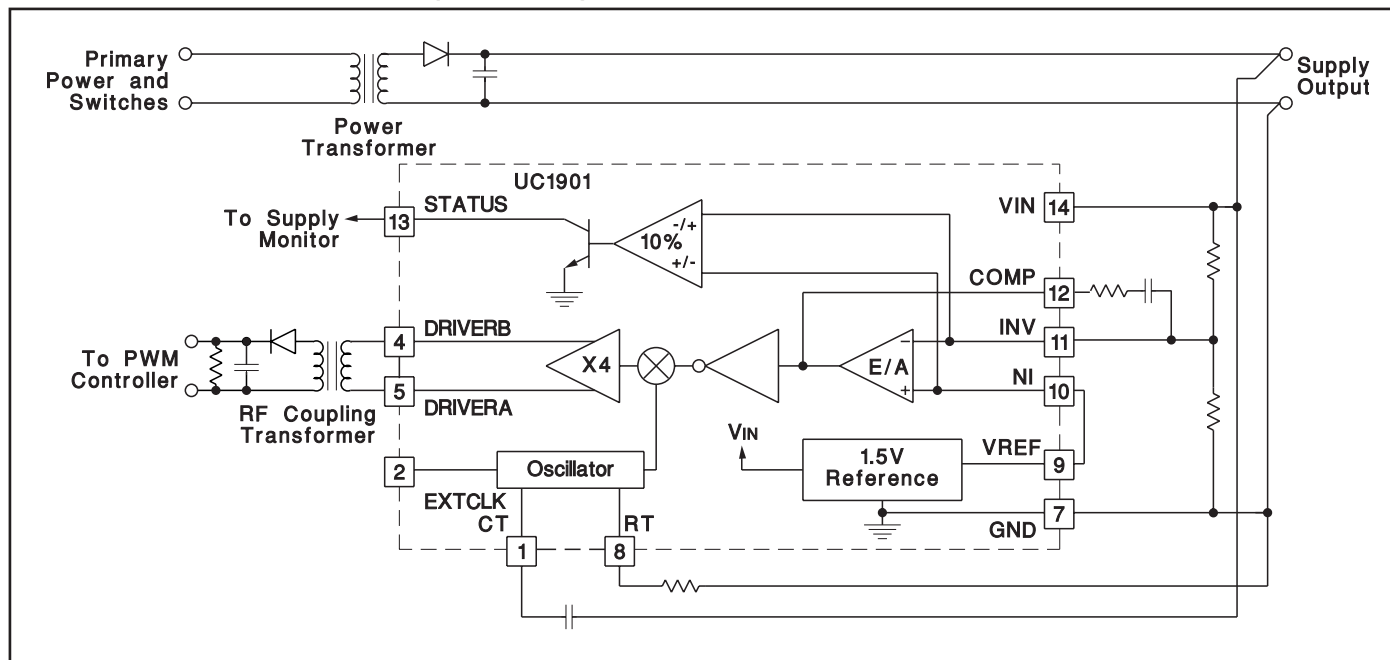


Figure 4. R.F. Transformer Coupled Feedback

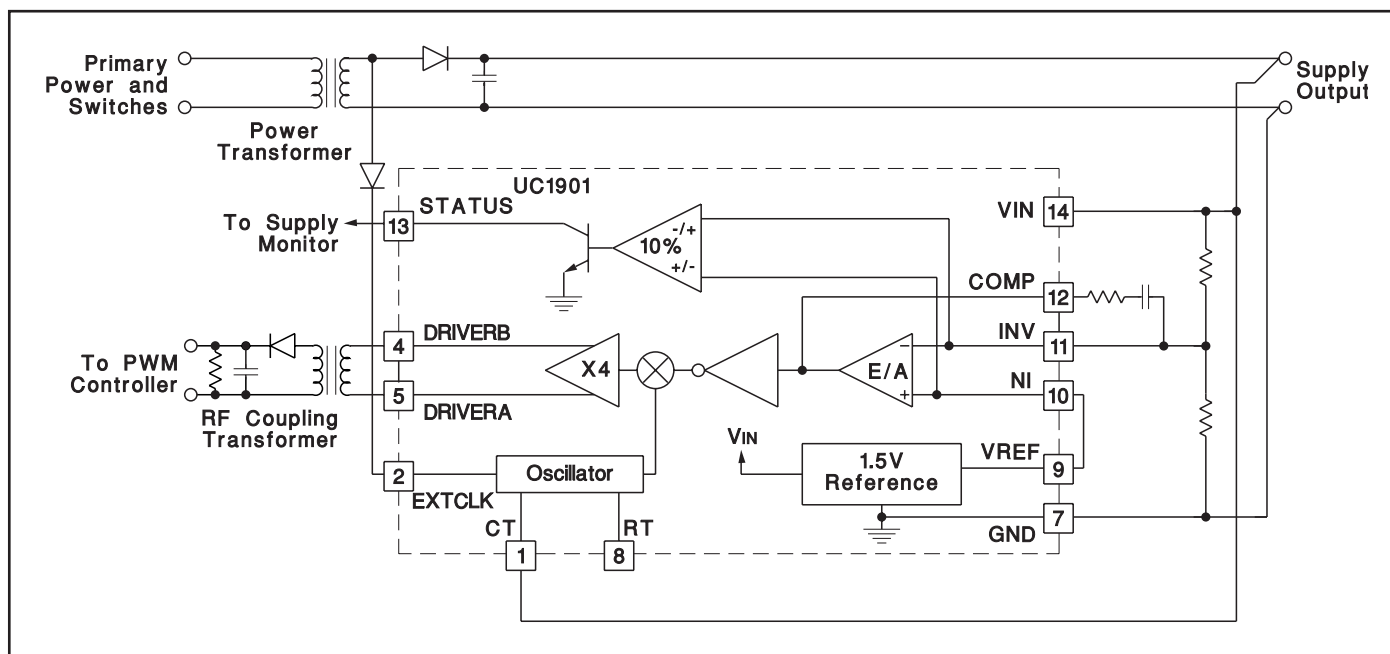
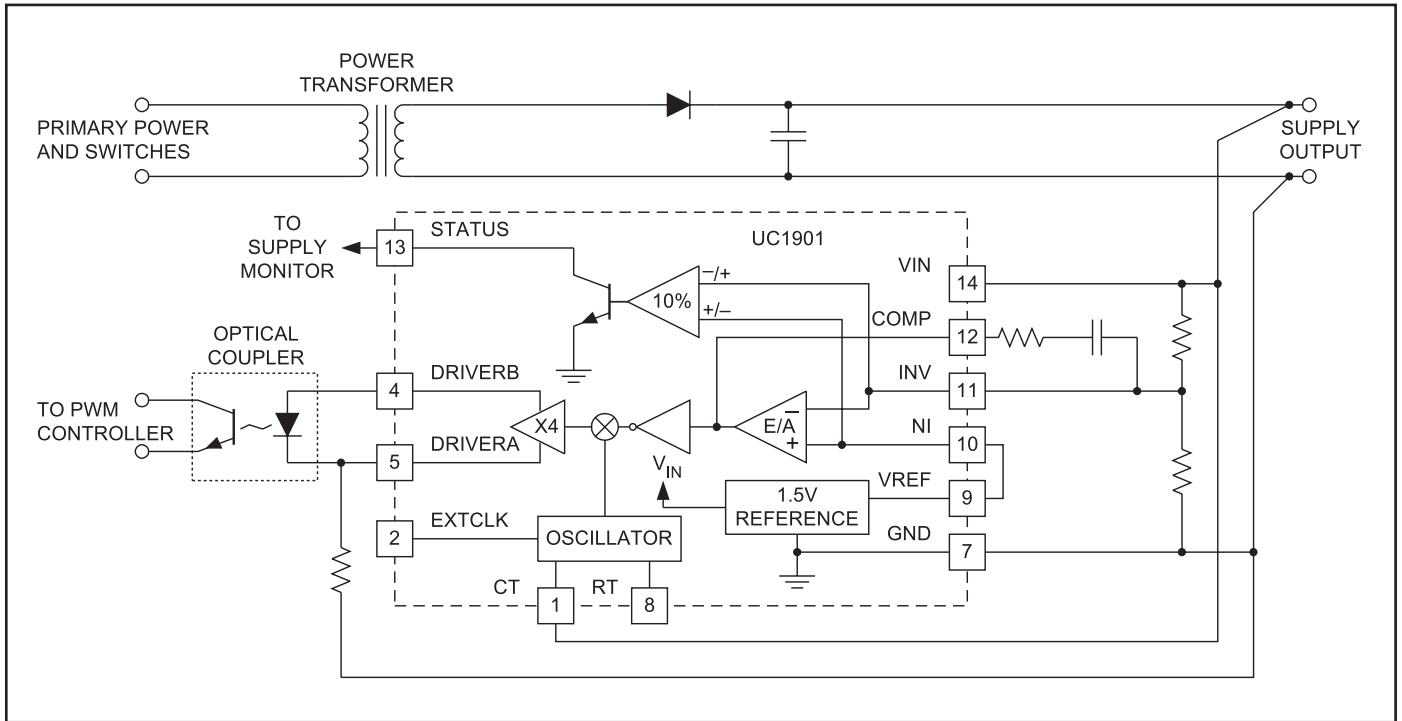


Figure 5. Feedback Coupled at Switching Frequency



**PACKAGING INFORMATION**

| Orderable part number           | Status<br>(1) | Material type<br>(2) | Package   Pins | Package qty   Carrier | RoHS<br>(3) | Lead finish/<br>Ball material<br>(4) | MSL rating/<br>Peak reflow<br>(5) | Op temp (°C) | Part marking<br>(6)                    |
|---------------------------------|---------------|----------------------|----------------|-----------------------|-------------|--------------------------------------|-----------------------------------|--------------|--|
| <a href="#">5962-89441012A</a>  | Active        | Production           | LCCC (FK)   20 | 55   TUBE             | No          | SNPB                                 | N/A for Pkg Type                  | -55 to 125   | 5962-<br>89441012A<br>UC1901L/<br>883B |
| <a href="#">5962-8944101CA</a>  | Active        | Production           | CDIP (J)   14  | 25   TUBE             | No          | SNPB                                 | N/A for Pkg Type                  | -55 to 125   | 5962-8944101CA<br>UC1901J/883B         |
| <a href="#">5962-8944101VCA</a> | Active        | Production           | CDIP (J)   14  | 25   TUBE             | No          | SNPB                                 | N/A for Pkg Type                  | -55 to 125   | 5962-8944101VC<br>A<br>UC1901JQMLV     |
| 5962-8944101VCA.A               | Active        | Production           | CDIP (J)   14  | 25   TUBE             | No          | SNPB                                 | N/A for Pkg Type                  | -55 to 125   | 5962-8944101VC<br>A<br>UC1901JQMLV     |
| <a href="#">UC1901J</a>         | Active        | Production           | CDIP (J)   14  | 25   TUBE             | No          | SNPB                                 | N/A for Pkg Type                  | -55 to 125   | UC1901J                                |
| UC1901J.A                       | Active        | Production           | CDIP (J)   14  | 25   TUBE             | No          | SNPB                                 | N/A for Pkg Type                  | -55 to 125   | UC1901J                                |
| <a href="#">UC1901J883B</a>     | Active        | Production           | CDIP (J)   14  | 25   TUBE             | No          | SNPB                                 | N/A for Pkg Type                  | -55 to 125   | 5962-8944101CA<br>UC1901J/883B         |
| UC1901J883B.A                   | Active        | Production           | CDIP (J)   14  | 25   TUBE             | No          | SNPB                                 | N/A for Pkg Type                  | -55 to 125   | 5962-8944101CA<br>UC1901J/883B         |
| <a href="#">UC1901L</a>         | Active        | Production           | LCCC (FK)   20 | 55   TUBE             | No          | SNPB                                 | N/A for Pkg Type                  | -55 to 125   | UC1901L                                |
| UC1901L.A                       | Active        | Production           | LCCC (FK)   20 | 55   TUBE             | No          | SNPB                                 | N/A for Pkg Type                  | -55 to 125   | UC1901L                                |
| <a href="#">UC1901L883B</a>     | Active        | Production           | LCCC (FK)   20 | 55   TUBE             | No          | SNPB                                 | N/A for Pkg Type                  | -55 to 125   | 5962-<br>89441012A<br>UC1901L/<br>883B |
| UC1901L883B.A                   | Active        | Production           | LCCC (FK)   20 | 55   TUBE             | No          | SNPB                                 | N/A for Pkg Type                  | -55 to 125   | 5962-<br>89441012A<br>UC1901L/<br>883B |
| <a href="#">UC2901D</a>         | Active        | Production           | SOIC (D)   14  | 50   TUBE             | Yes         | NIPDAU                               | Level-2-260C-1 YEAR               | -40 to 85    | UC2901D                                |
| UC2901D.A                       | Active        | Production           | SOIC (D)   14  | 50   TUBE             | Yes         | NIPDAU                               | Level-2-260C-1 YEAR               | -40 to 85    | UC2901D                                |
| <a href="#">UC2901DTR</a>       | Active        | Production           | SOIC (D)   14  | 2500   LARGE T&R      | Yes         | NIPDAU                               | Level-2-260C-1 YEAR               | -40 to 85    | UC2901D                                |
| UC2901DTR.A                     | Active        | Production           | SOIC (D)   14  | 2500   LARGE T&R      | Yes         | NIPDAU                               | Level-2-260C-1 YEAR               | -40 to 85    | UC2901D                                |
| <a href="#">UC2901J</a>         | Active        | Production           | CDIP (J)   14  | 25   TUBE             | No          | SNPB                                 | N/A for Pkg Type                  | -40 to 85    | UC2901J                                |

| Orderable part number     | Status<br>(1) | Material type<br>(2) | Package   Pins | Package qty   Carrier | RoHS<br>(3) | Lead finish/<br>Ball material<br>(4) | MSL rating/<br>Peak reflow<br>(5) | Op temp (°C) | Part marking<br>(6) |
|---------------------------|---------------|----------------------|----------------|-----------------------|-------------|--------------------------------------|-----------------------------------|--------------|---------------------|
| UC2901J.A                 | Active        | Production           | CDIP (J)   14  | 25   TUBE             | No          | SNPB                                 | N/A for Pkg Type                  | -40 to 85    | UC2901J             |
| <a href="#">UC2901N</a>   | Active        | Production           | PDIP (N)   14  | 25   TUBE             | Yes         | NIPDAU                               | N/A for Pkg Type                  | -40 to 85    | UC2901N             |
| UC2901N.A                 | Active        | Production           | PDIP (N)   14  | 25   TUBE             | Yes         | NIPDAU                               | N/A for Pkg Type                  | -40 to 85    | UC2901N             |
| <a href="#">UC3901D</a>   | Active        | Production           | SOIC (D)   14  | 50   TUBE             | Yes         | NIPDAU                               | Level-2-260C-1 YEAR               | 0 to 70      | UC3901D             |
| UC3901D.A                 | Active        | Production           | SOIC (D)   14  | 50   TUBE             | Yes         | NIPDAU                               | Level-2-260C-1 YEAR               | 0 to 70      | UC3901D             |
| <a href="#">UC3901DTR</a> | Obsolete      | Production           | SOIC (D)   14  | -                     | -           | Call TI                              | Call TI                           | 0 to 70      | UC3901D             |
| <a href="#">UC3901DW</a>  | Obsolete      | Production           | SOIC (DW)   16 | -                     | -           | Call TI                              | Call TI                           | 0 to 70      | UC3901DW            |
| <a href="#">UC3901N</a>   | Active        | Production           | PDIP (N)   14  | 25   TUBE             | Yes         | NIPDAU                               | N/A for Pkg Type                  | 0 to 70      | UC3901N             |
| UC3901N.A                 | Active        | Production           | PDIP (N)   14  | 25   TUBE             | Yes         | NIPDAU                               | N/A for Pkg Type                  | 0 to 70      | UC3901N             |

<sup>(1)</sup> **Status:** For more details on status, see our [product life cycle](#).

<sup>(2)</sup> **Material type:** When designated, preproduction parts are prototypes/experimental devices, and are not yet approved or released for full production. Testing and final process, including without limitation quality assurance, reliability performance testing, and/or process qualification, may not yet be complete, and this item is subject to further changes or possible discontinuation. If available for ordering, purchases will be subject to an additional waiver at checkout, and are intended for early internal evaluation purposes only. These items are sold without warranties of any kind.

<sup>(3)</sup> **RoHS values:** Yes, No, RoHS Exempt. See the [TI RoHS Statement](#) for additional information and value definition.

<sup>(4)</sup> **Lead finish/Ball material:** Parts may have multiple material finish options. Finish options are separated by a vertical ruled line. Lead finish/Ball material values may wrap to two lines if the finish value exceeds the maximum column width.

<sup>(5)</sup> **MSL rating/Peak reflow:** The moisture sensitivity level ratings and peak solder (reflow) temperatures. In the event that a part has multiple moisture sensitivity ratings, only the lowest level per JEDEC standards is shown. Refer to the shipping label for the actual reflow temperature that will be used to mount the part to the printed circuit board.

<sup>(6)</sup> **Part marking:** There may be an additional marking, which relates to the logo, the lot trace code information, or the environmental category of the part.

Multiple part markings will be inside parentheses. Only one part marking contained in parentheses and separated by a "~" will appear on a part. If a line is indented then it is a continuation of the previous line and the two combined represent the entire part marking for that device.

**Important Information and Disclaimer:** The information provided on this page represents TI's knowledge and belief as of the date that it is provided. TI bases its knowledge and belief on information provided by third parties, and makes no representation or warranty as to the accuracy of such information. Efforts are underway to better integrate information from third parties. TI has taken and continues to take reasonable steps to provide representative and accurate information but may not have conducted destructive testing or chemical analysis on incoming materials and chemicals. TI and TI suppliers consider certain information to be proprietary, and thus CAS numbers and other limited information may not be available for release.

In no event shall TI's liability arising out of such information exceed the total purchase price of the TI part(s) at issue in this document sold by TI to Customer on an annual basis.

**OTHER QUALIFIED VERSIONS OF UC1901, UC1901-SP, UC2901, UC2901-MIL, UC3901 :**

- Catalog : [UC3901](#), [UC1901](#)
- Enhanced Product : [UC2901-EP](#), [UC2901-EP](#)
- Military : [UC1901](#)
- Space : [UC1901-SP](#), [UC1901-SP](#)

NOTE: Qualified Version Definitions:

- Catalog - TI's standard catalog product
- Enhanced Product - Supports Defense, Aerospace and Medical Applications
- Military - QML certified for Military and Defense Applications
- Space - Radiation tolerant, ceramic packaging and qualified for use in Space-based application

**TAPE AND REEL INFORMATION**

**QUADRANT ASSIGNMENTS FOR PIN 1 ORIENTATION IN TAPE**


\*All dimensions are nominal

| Device    | Package Type | Package Drawing | Pins | SPQ  | Reel Diameter (mm) | Reel Width W1 (mm) | A0 (mm) | B0 (mm) | K0 (mm) | P1 (mm) | W (mm) | Pin1 Quadrant |
|-----------|--------------|-----------------|------|------|--------------------|--------------------|---------|---------|---------|---------|--------|---------------|
| UC2901DTR | SOIC         | D               | 14   | 2500 | 330.0              | 16.4               | 6.5     | 9.0     | 2.1     | 8.0     | 16.0   | Q1            |

**TAPE AND REEL BOX DIMENSIONS**


\*All dimensions are nominal

| Device    | Package Type | Package Drawing | Pins | SPQ  | Length (mm) | Width (mm) | Height (mm) |
|-----------|--------------|-----------------|------|------|-------------|------------|-------------|
| UC2901DTR | SOIC         | D               | 14   | 2500 | 356.0       | 356.0      | 35.0        |

**TUBE**


\*All dimensions are nominal

| Device         | Package Name | Package Type | Pins | SPQ | L (mm) | W (mm) | T (μm) | B (mm) |
|----------------|--------------|--------------|------|-----|--------|--------|--------|--------|
| 5962-89441012A | FK           | LCCC         | 20   | 55  | 506.98 | 12.06  | 2030   | NA     |
| UC1901L        | FK           | LCCC         | 20   | 55  | 506.98 | 12.06  | 2030   | NA     |
| UC1901L.A      | FK           | LCCC         | 20   | 55  | 506.98 | 12.06  | 2030   | NA     |
| UC1901L883B    | FK           | LCCC         | 20   | 55  | 506.98 | 12.06  | 2030   | NA     |
| UC1901L883B.A  | FK           | LCCC         | 20   | 55  | 506.98 | 12.06  | 2030   | NA     |
| UC2901D        | D            | SOIC         | 14   | 50  | 506.6  | 8      | 3940   | 4.32   |
| UC2901D.A      | D            | SOIC         | 14   | 50  | 506.6  | 8      | 3940   | 4.32   |
| UC2901N        | N            | PDIP         | 14   | 25  | 506    | 13.97  | 11230  | 4.32   |
| UC2901N.A      | N            | PDIP         | 14   | 25  | 506    | 13.97  | 11230  | 4.32   |
| UC3901D        | D            | SOIC         | 14   | 50  | 506.6  | 8      | 3940   | 4.32   |
| UC3901D.A      | D            | SOIC         | 14   | 50  | 506.6  | 8      | 3940   | 4.32   |
| UC3901N        | N            | PDIP         | 14   | 25  | 506    | 13.97  | 11230  | 4.32   |
| UC3901N.A      | N            | PDIP         | 14   | 25  | 506    | 13.97  | 11230  | 4.32   |

## IMPORTANT NOTICE AND DISCLAIMER

TI PROVIDES TECHNICAL AND RELIABILITY DATA (INCLUDING DATA SHEETS), DESIGN RESOURCES (INCLUDING REFERENCE DESIGNS), APPLICATION OR OTHER DESIGN ADVICE, WEB TOOLS, SAFETY INFORMATION, AND OTHER RESOURCES "AS IS" AND WITH ALL FAULTS, AND DISCLAIMS ALL WARRANTIES, EXPRESS AND IMPLIED, INCLUDING WITHOUT LIMITATION ANY IMPLIED WARRANTIES OF MERCHANTABILITY, FITNESS FOR A PARTICULAR PURPOSE OR NON-INFRINGEMENT OF THIRD PARTY INTELLECTUAL PROPERTY RIGHTS.

These resources are intended for skilled developers designing with TI products. You are solely responsible for (1) selecting the appropriate TI products for your application, (2) designing, validating and testing your application, and (3) ensuring your application meets applicable standards, and any other safety, security, regulatory or other requirements.

These resources are subject to change without notice. TI grants you permission to use these resources only for development of an application that uses the TI products described in the resource. Other reproduction and display of these resources is prohibited. No license is granted to any other TI intellectual property right or to any third party intellectual property right. TI disclaims responsibility for, and you will fully indemnify TI and its representatives against, any claims, damages, costs, losses, and liabilities arising out of your use of these resources.

TI's products are provided subject to [TI's Terms of Sale](#) or other applicable terms available either on [ti.com](https://www.ti.com) or provided in conjunction with such TI products. TI's provision of these resources does not expand or otherwise alter TI's applicable warranties or warranty disclaimers for TI products.

TI objects to and rejects any additional or different terms you may have proposed.

Mailing Address: Texas Instruments, Post Office Box 655303, Dallas, Texas 75265

Copyright © 2025, Texas Instruments Incorporated