

# SN74AC3G99-Q1 Automotive Triple Ultra-Configurable Multiple-Function Gates With 3-State Outputs And Schmitt-Trigger Inputs

## 1 Features

- AEC-Q100 qualified for automotive applications:
  - Device temperature grade 1: -40°C to +125°C
  - Device HBM ESD classification level 2
  - Device CDM ESD classification level C4B
- Available in [wetable flank](#) QFN package
- Wide operating range of 1.5V to 6V
- Inputs accept voltages up to 6V
- Continuous ±24mA output drive at 5V
- Supports up to ±75mA output drive at 5V in short bursts
- Drives 50Ω transmission lines
- Maximum  $t_{pd}$  of 10.6ns at 5V, 50pF load

## 2 Applications

- [Combine power good signals](#)
- [Combine enable signals](#)
- [Eliminate slow or noisy input signals](#)
- [Synchronize inverted clock inputs](#)
- [Debounce a switch](#)
- [Use fewer inputs to monitor error signals](#)
- Data selection
- Multiplexing

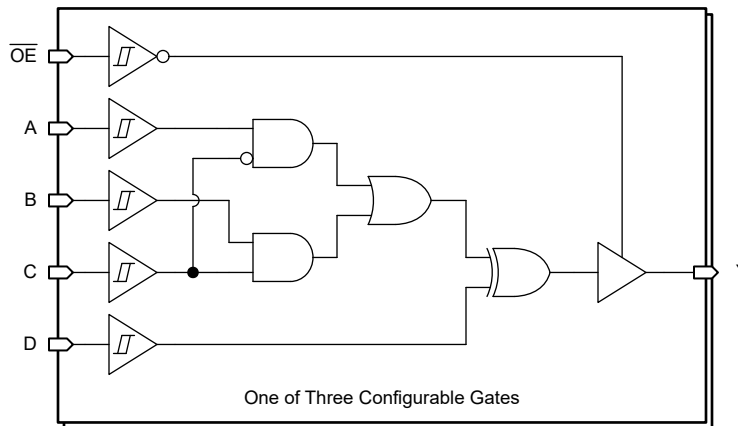
## 3 Description

The SN74AC3G99-Q1 device contains three independent configurable logic gates with 3-state outputs. Each gate has four inputs and performs the boolean function  $Y = (A \cdot \overline{C} + B \cdot C) \oplus D$ . All inputs include Schmitt-triggers, eliminating any erroneous data outputs due to slow-edged or noisy input signals.

### Device Information

PART NUMBER	PACKAGE <sup>(1)</sup>	PACKAGE SIZE <sup>(2)</sup>	BODY SIZE <sup>(3)</sup>
SN74AC3G99-Q1	DGS (VSSOP, 20)	7.2mm × 7.8mm	7.2mm × 5.3mm
	PW (TSSOP, 20)	6.5mm × 6.4mm	6.5mm × 4.4mm
	RKS (VQFN, 20)	4.5mm × 2.5mm	4.5mm × 2.5mm

- (1) For more information, see [Section 11](#).
- (2) The package size (length × width) is a nominal value and includes pins, where applicable.
- (3) The body size (length × width) is a nominal value and does not include pins.

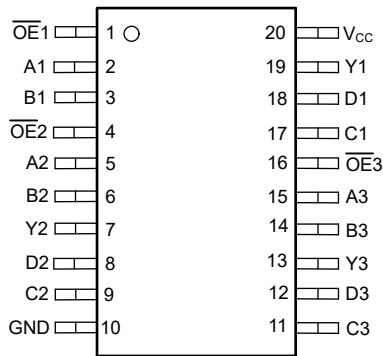


Functional Diagram

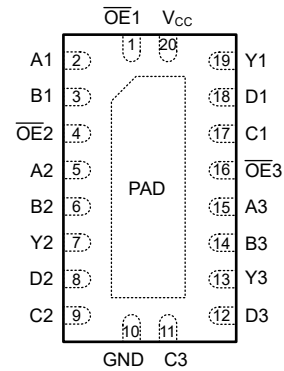
## Table of Contents

<b>1 Features</b> .....	1	7.4 Feature Description.....	13
<b>2 Applications</b> .....	1	7.5 Device Functional Modes.....	14
<b>3 Description</b> .....	1	<b>8 Application and Implementation</b> .....	16
<b>4 Pin Configuration and Functions</b> .....	3	8.1 Application Information.....	16
<b>5 Specifications</b> .....	4	8.2 Typical Application.....	16
5.1 Absolute Maximum Ratings.....	4	8.3 Power Supply Recommendations.....	19
5.2 ESD Ratings.....	4	8.4 Layout.....	19
5.3 Recommended Operating Conditions.....	4	<b>9 Device and Documentation Support</b> .....	21
5.4 Thermal Information.....	5	9.1 Documentation Support.....	21
5.5 Electrical Characteristics.....	5	9.2 Receiving Notification of Documentation Updates....	21
5.6 Switching Characteristics.....	6	9.3 Support Resources.....	21
5.7 Typical Characteristics.....	7	9.4 Trademarks.....	21
<b>6 Parameter Measurement Information</b> .....	10	9.5 Electrostatic Discharge Caution.....	21
<b>7 Detailed Description</b> .....	11	9.6 Glossary.....	21
7.1 Overview.....	11	<b>10 Revision History</b> .....	21
7.2 Functional Block Diagram.....	11	<b>11 Mechanical, Packaging, and Orderable Information</b> .....	21
7.3 Combinatorial Logic Configurations.....	11		

## 4 Pin Configuration and Functions



**Figure 4-1. PW or DGS Package, 20-Pin TSSOP or VSSOP (Top View)**



**Figure 4-2. RKS Package, 20-Pin VQFN (Transparent Top View)**

**Table 4-1. Pin Functions**

PIN		TYPE <sup>(1)</sup>	DESCRIPTION
NAME	NO.		
OE1	1	I	Output enable input for Channel 1, active-low
A1	2	I	Channel 1, Input A
B1	3	I	Channel 1, Input B
OE2	4	I	Output enable input for Channel 2, active-low
A2	5	I	Channel 2, Input A
B2	6	I	Channel 2, Input B
Y2	7	O	Channel 2, Output Y
D2	8	I	Channel 2, Input D
C2	9	I	Channel 2, Input C
GND	10	G	Ground
C3	11	I	Channel 3, Input C
D3	12	I	Channel 3, Input D
Y3	13	O	Channel 3, Output Y
B3	14	I	Channel 3, Input B
A3	15	I	Channel 3, Input A
OE3	16	I	Output enable input for Channel 3, active-low
C1	17	I	Channel 1, Input C
D1	18	I	Channel 1, Input D
Y1	19	O	Channel 1, Output Y
V <sub>CC</sub>	20	P	Positive supply
Thermal Pad <sup>(2)</sup>		—	The thermal pad can be connect to GND or left floating. Do not connect to any other signal or supply.

(1) I = Input, O = Output, I/O = Input or Output, G = Ground, P = Power

(2) RKS package only.

## 5 Specifications

### 5.1 Absolute Maximum Ratings

over operating free-air temperature range (unless otherwise noted)<sup>(1)</sup>

			MIN	MAX	UNIT
V <sub>CC</sub>	Supply voltage range		-0.5	7	V
V <sub>I</sub>	Input voltage range <sup>(2)</sup>		-0.5	V <sub>CC</sub> + 0.5V	V
V <sub>O</sub>	Output voltage range <sup>(2)</sup>		-0.5	V <sub>CC</sub> + 0.5V	V
I <sub>IK</sub>	Input clamp current	V <sub>I</sub> < -0.5V or V <sub>I</sub> > V <sub>CC</sub> + 0.5V		±20	mA
I <sub>OK</sub>	Output clamp current	V <sub>O</sub> < -0.5V or V <sub>O</sub> > V <sub>CC</sub> + 0.5V		±50	mA
I <sub>O</sub>	Continuous output current	V <sub>O</sub> = 0 to V <sub>CC</sub>		±50	mA
	Continuous output current through V <sub>CC</sub> or GND			±200	mA
T <sub>J</sub>	Junction temperature			150	°C
T <sub>stg</sub>	Storage temperature		-65	150	°C

- (1) Operation outside the *Absolute Maximum Ratings* may cause permanent device damage. Absolute maximum ratings do not imply functional operation of the device at these or any other conditions beyond those listed under *Recommended Operating Conditions*. If briefly operating outside the *Recommended Operating Conditions* but within the *Absolute Maximum Ratings*, the device may not sustain damage, but it may not be fully functional. Operating the device in this manner may affect device reliability, functionality, performance, and shorten the device lifetime.
- (2) The input and output voltage ratings may be exceeded if the input and output current ratings are observed.

### 5.2 ESD Ratings

			VALUE	UNIT
V <sub>(ESD)</sub>	Electrostatic discharge	Human body model (HBM), per AEC Q100-002 HBM ESD Classification Level 2 <sup>(1)</sup>	±2000	V
		Charged device model (CDM), per AEC Q100-011 CDM ESD Classification Level C4B	±1000	

- (1) AEC Q100-002 indicate that HBM stressing shall be in accordance with the ANSI/ESDA/JEDEC JS-001 specification.

### 5.3 Recommended Operating Conditions

over operating free-air temperature range (unless otherwise noted)

			MIN	MAX	UNIT
V <sub>CC</sub>	Supply voltage		1.5	6	V
V <sub>I</sub>	Input Voltage		0	V <sub>CC</sub>	V
V <sub>O</sub>	Output Voltage		0	V <sub>CC</sub>	V
I <sub>OH</sub>	High-level output current	V <sub>CC</sub> = 1.8V		-1	mA
		V <sub>CC</sub> = 2.5V		-2	
		V <sub>CC</sub> = 3V		-12	
		V <sub>CC</sub> = 4.5V to 5.5V		-24	
I <sub>OL</sub>	Low-level output current	V <sub>CC</sub> = 1.8V		1	mA
		V <sub>CC</sub> = 2.5V		2	
		V <sub>CC</sub> = 3V		12	
		V <sub>CC</sub> = 4.5V to 5.5V		24	
T <sub>A</sub>	Operating free-air temperature		-40	125	°C

## 5.4 Thermal Information

PACKAGE	PINS	THERMAL METRIC <sup>(1)</sup>						UNIT
		R <sub>θJA</sub>	R <sub>θJC(top)</sub>	R <sub>θJB</sub>	Ψ <sub>JT</sub>	Ψ <sub>JB</sub>	R <sub>θJC(bot)</sub>	
PW (TSSOP)	20	109.6	51.8	71.4	8.9	70.7	-	°C/W
RKS (VQFN)	20	74.1	78.6	47.3	14.6	47.3	30.4	°C/W
DGS (VSSOP)	20	124.5	62.9	79.2	7.8	78.7	-	°C/W

(1) For more information about traditional and new thermal metrics, see the [Semiconductor and IC Package Thermal Metrics](#) application note.

## 5.5 Electrical Characteristics

over operating free-air temperature range (unless otherwise noted)

PARAMETER	TEST CONDITIONS	V <sub>CC</sub>	-40°C to 125°C			UNIT
			MIN	TYP	MAX	
V <sub>T+</sub>	Positive-going input threshold voltage	1.5V	0.71	0.9	1.06	V
		1.8V	0.82	1.04	1.22	
		2.5V	1.08	1.3	1.51	
		3V	1.19	1.47	1.72	
		4.5V	1.61	1.98	2.37	
		5V	1.84	2.17	2.52	
		5.5V	1.87	2.33	2.82	
V <sub>T-</sub>	Negative-going input threshold voltage	1.5V	0.33	0.48	0.68	V
		1.8V	0.42	0.54	0.68	
		2.5V	0.59	0.7	0.8	
		3V	0.68	0.81	0.95	
		4.5V	0.98	1.15	1.36	
		5V	1.11	1.27	1.46	
		5.5V	1.14	1.36	1.63	
ΔV <sub>T</sub>	Hysteresis (V <sub>T+</sub> - V <sub>T-</sub> )	1.5V	0.31	0.44	0.66	V
		1.8V	0.37	0.49	0.66	
		2.5V	0.45	0.6	0.74	
		3V	0.47	0.65	0.84	
		4.5V	0.62	0.83	1.06	
		5V	0.72	0.91	1.1	
		5.5V	0.71	0.97	1.23	
V <sub>OH</sub>	I <sub>OH</sub> = -50μA	1.5V	1.4	1.499	V	
		1.8V	1.7	1.799		
		2.5V	2.4	2.499		
		3V	2.9	2.999		
		4.5V	4.4	4.499		
		5.5V	5.4	5.499		
	I <sub>OH</sub> = -1mA	1.8V	1.44			
	I <sub>OH</sub> = -2mA	2.5V	2			
	I <sub>OH</sub> = -4mA	3V	2.4			
	I <sub>OH</sub> = -12mA	3V	2.4			
	I <sub>OH</sub> = -24mA	4.5V	3.7			
I <sub>OH</sub> = -24mA	5.5V	4.7				
I <sub>OH</sub> = -75mA <sup>(3)</sup>	5.5V	3.85				

over operating free-air temperature range (unless otherwise noted)

PARAMETER	TEST CONDITIONS	V <sub>CC</sub>	-40°C to 125°C			UNIT
			MIN	TYP	MAX	
V <sub>OL</sub>	I <sub>OL</sub> = 50µA	1.5V		0.001	0.1	V
		1.8V		0.001	0.1	
		2.5V		0.001	0.1	
		3V		0.001	0.1	
		4.5V		0.001	0.1	
		5.5V		0.001	0.1	
	I <sub>OL</sub> = 1mA	1.8V			0.36	
	I <sub>OL</sub> = 2mA	2.5V			0.5	
	I <sub>OL</sub> = 4mA	3V			0.5	
	I <sub>OL</sub> = 12mA	3V			0.5	
	I <sub>OL</sub> = 24mA	4.5V			0.5	
I <sub>OL</sub> = 24mA	5.5V			0.5		
I <sub>OL</sub> = 75mA <sup>(3)</sup>	5.5V			1.65		
I <sub>I</sub>	V <sub>I</sub> = 5.5V or GND	0V to 5.5V			±1	µA
I <sub>OZ</sub>	V <sub>O</sub> = V <sub>CC</sub> or GND	5.5V			±1	µA
I <sub>CC</sub>	V <sub>I</sub> = V <sub>CC</sub> or GND, I <sub>O</sub> = 0	5.5V			2	µA
C <sub>I</sub>	V <sub>I</sub> = V <sub>CC</sub> or GND	5V		2		pF
C <sub>O</sub>	V <sub>O</sub> = V <sub>CC</sub> or GND	5V		4		pF
C <sub>PD</sub> <sup>(1) (2)</sup>	C <sub>L</sub> = 50pF, F = 1MHz	5V		57		pF

- (1) C<sub>PD</sub> is used to determine the dynamic power consumption, per channel
- (2) P<sub>D</sub> = V<sub>CC</sub><sup>2</sup> × F<sub>I</sub> × (C<sub>PD</sub> + C<sub>L</sub>) where F<sub>I</sub> = input frequency, C<sub>L</sub> = output load capacitance, V<sub>CC</sub> = supply voltage
- (3) Not more than one output should be tested at a time, and the duration of the test should not exceed 2 ms.

## 5.6 Switching Characteristics

C<sub>L</sub> = 50 pF; over operating free-air temperature range; typical values measured at T<sub>A</sub> = 25°C (unless otherwise noted)

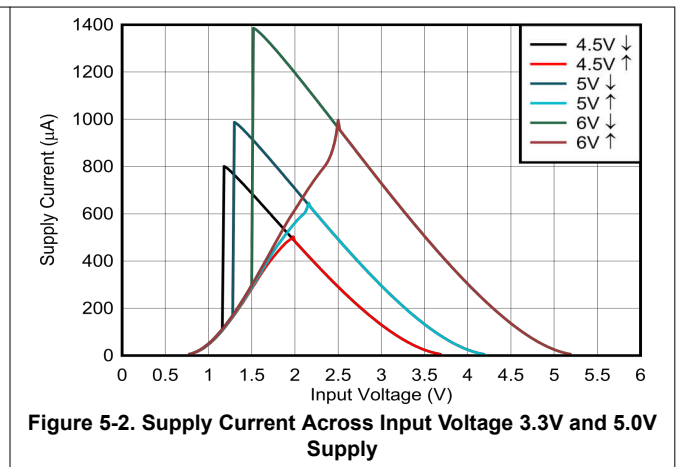
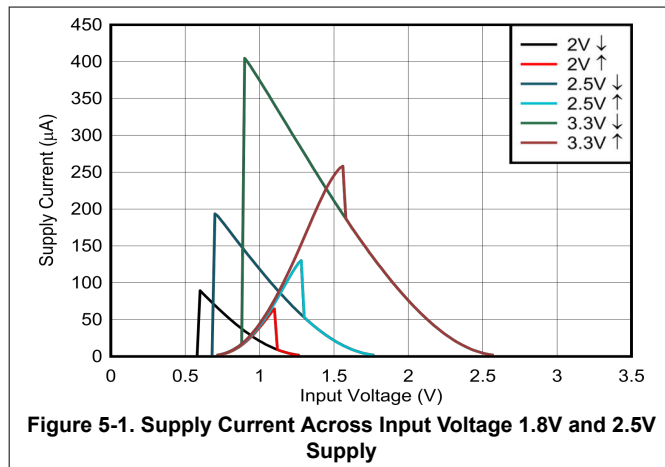
PARAMETER	FROM (INPUT)	TO (OUTPUT)	V <sub>CC</sub>	-40°C to 125°C			UNIT
				MIN	TYP	MAX	
t <sub>plh</sub>	A, B, C	Y	1.5V		23.7	39.2	ns
t <sub>phl</sub>	A, B, C	Y	1.5V		23.6	37.6	ns
t <sub>plh</sub>	D	Y	1.5V		22	35.8	ns
t <sub>phl</sub>	D	Y	1.5V		22.5	35.4	ns
t <sub>pzl</sub>	$\overline{OE}$	Y	1.5V		22.4	34.7	ns
t <sub>pzh</sub>	$\overline{OE}$	Y	1.5V		22.9	36.2	ns
t <sub>plz</sub>	$\overline{OE}$	Y	1.5V		15.9	23.1	ns
t <sub>phz</sub>	$\overline{OE}$	Y	1.5V		19.1	28.4	ns
t <sub>plh</sub>	A, B, C	Y	1.8V		16.9	27.3	ns
t <sub>phl</sub>	A, B, C	Y	1.8V		17.2	26.9	ns
t <sub>plh</sub>	D	Y	1.8V		15.7	25	ns
t <sub>phl</sub>	D	Y	1.8V		16.5	25.6	ns
t <sub>pzl</sub>	$\overline{OE}$	Y	1.8V		16.6	25.1	ns
t <sub>pzh</sub>	$\overline{OE}$	Y	1.8V		16.7	25.6	ns
t <sub>plz</sub>	$\overline{OE}$	Y	1.8V		11.9	16.9	ns
t <sub>phz</sub>	$\overline{OE}$	Y	1.8V		14.1	20.5	ns
t <sub>plh</sub>	A, B, C	Y	2.5V		11	17.4	ns
t <sub>phl</sub>	A, B, C	Y	2.5V		11	16.8	ns

$C_L = 50$  pF; over operating free-air temperature range; typical values measured at  $T_A = 25^\circ\text{C}$  (unless otherwise noted)

PARAMETER	FROM (INPUT)	TO (OUTPUT)	$V_{CC}$	-40°C to 125°C			UNIT
				MIN	TYP	MAX	
$t_{plh}$	D	Y	2.5V		10.4	16.2	ns
$t_{phl}$	D	Y	2.5V		10.7	16.1	ns
$t_{pzl}$	$\overline{OE}$	Y	2.5V		11.5	16.8	ns
$t_{pzh}$	$\overline{OE}$	Y	2.5V		11.4	16.8	ns
$t_{plz}$	$\overline{OE}$	Y	2.5V		6	8.8	ns
$t_{phz}$	$\overline{OE}$	Y	2.5V		7.4	11	ns
$t_{plh}$	A, B, C	Y	3.3V		9.3	14.5	ns
$t_{phl}$	A, B, C	Y	3.3V		9.2	14	ns
$t_{plh}$	D	Y	3.3V		8.7	13.5	ns
$t_{phl}$	D	Y	3.3V		8.9	13.4	ns
$t_{pzl}$	$\overline{OE}$	Y	3.3V		9.8	14.1	ns
$t_{pzh}$	$\overline{OE}$	Y	3.3V		9.7	14	ns
$t_{plz}$	$\overline{OE}$	Y	3.3V		4.9	6.9	ns
$t_{phz}$	$\overline{OE}$	Y	3.3V		6.1	9	ns
$t_{plh}$	A, B, C	Y	5V		6.9	10.6	ns
$t_{phl}$	A, B, C	Y	5V		6.8	10.3	ns
$t_{plh}$	D	Y	5V		6.5	10	ns
$t_{phl}$	D	Y	5V		6.7	10.1	ns
$t_{pzl}$	$\overline{OE}$	Y	5V		7.5	10.4	ns
$t_{pzh}$	$\overline{OE}$	Y	5V		7.5	10.4	ns
$t_{plz}$	$\overline{OE}$	Y	5V		3.3	4.8	ns
$t_{phz}$	$\overline{OE}$	Y	5V		4.2	6.2	ns

### 5.7 Typical Characteristics

$T_A = 25^\circ\text{C}$  (unless otherwise noted)



## 5.7 Typical Characteristics (continued)

$T_A = 25^\circ\text{C}$  (unless otherwise noted)

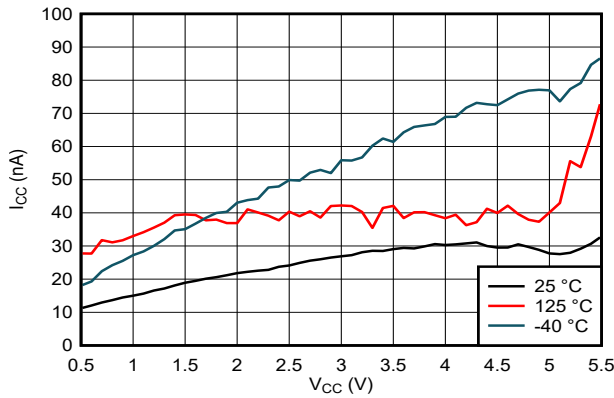


Figure 5-3. Supply Current Across Supply Voltage

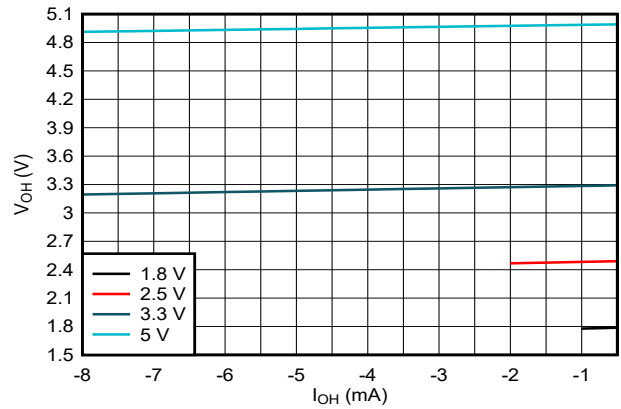


Figure 5-4. Output Voltage vs Current in HIGH State

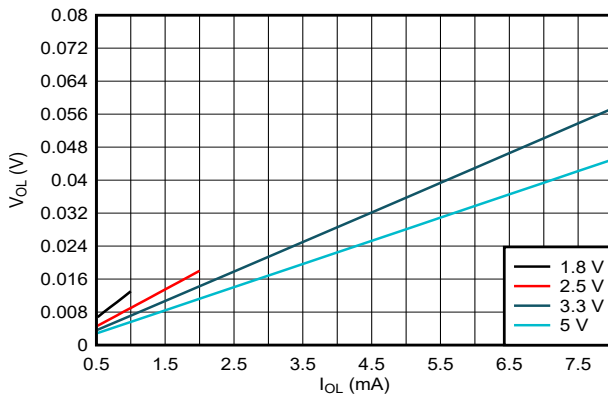


Figure 5-5. Output Voltage vs Current in LOW State

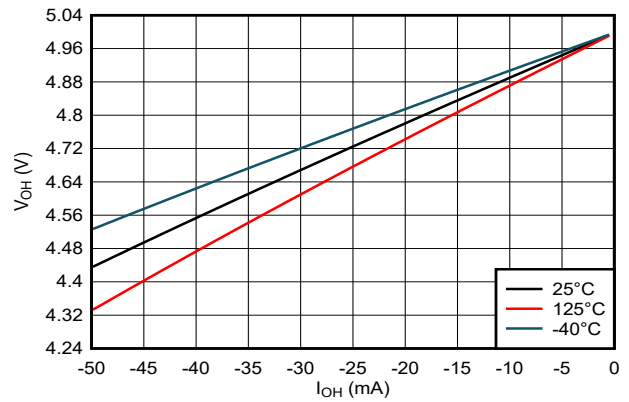


Figure 5-6. Output Voltage vs Current in HIGH State; 5V Supply

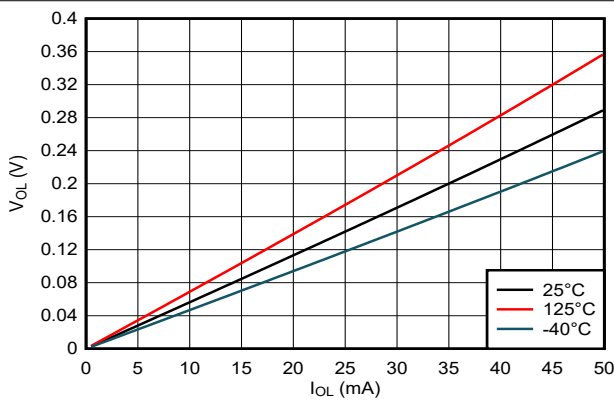


Figure 5-7. Output Voltage vs Current in LOW State; 5V Supply

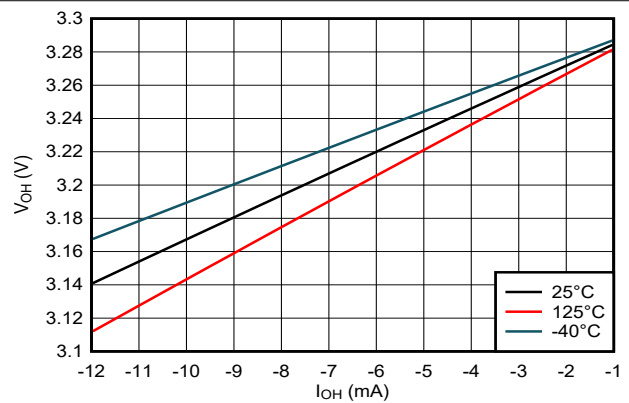
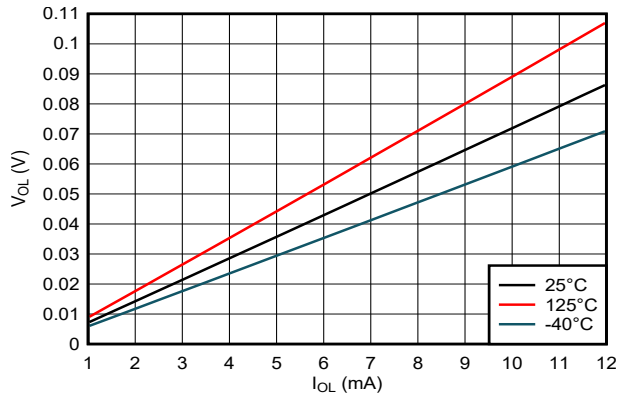


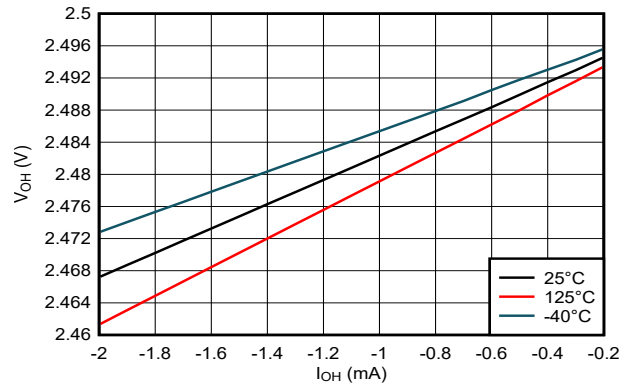
Figure 5-8. Output Voltage vs Current in HIGH State; 3.3V Supply

## 5.7 Typical Characteristics (continued)

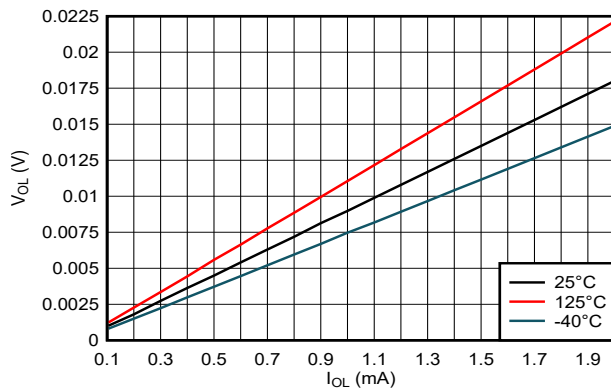
$T_A = 25^\circ\text{C}$  (unless otherwise noted)



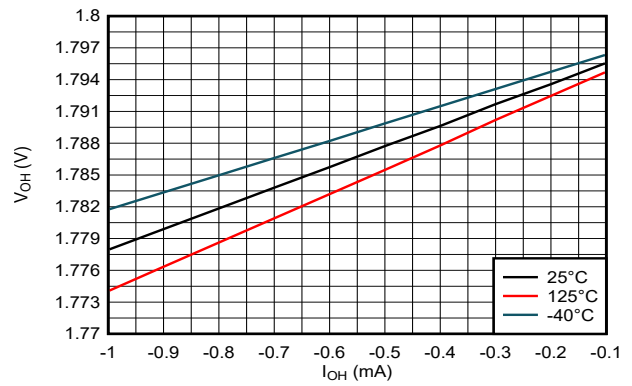
**Figure 5-9. Output Voltage vs Current in LOW State; 3.3V Supply**



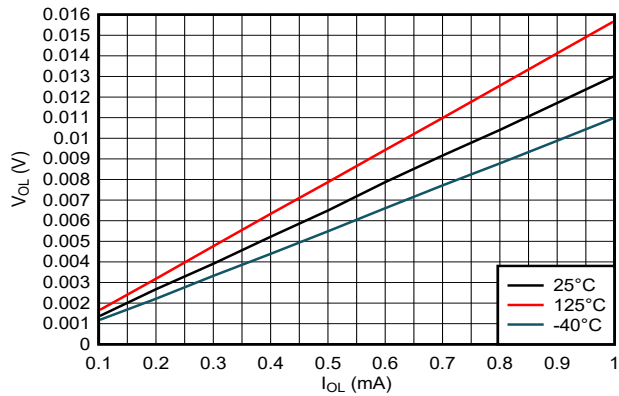
**Figure 5-10. Output Voltage vs Current in HIGH State; 2.5V Supply**



**Figure 5-11. Output Voltage vs Current in LOW State; 2.5V Supply**



**Figure 5-12. Output Voltage vs Current in HIGH State; 1.8V Supply**



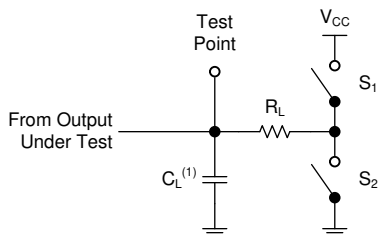
**Figure 5-13. Output Voltage vs Current in LOW State; 1.8V Supply**

## 6 Parameter Measurement Information

Phase relationships between waveforms were chosen arbitrarily for the examples listed in the following table. All input pulses are supplied by generators having the following characteristics: PRR  $\leq$  1MHz,  $Z_O = 50\Omega$ ,  $t_f < 2.5\text{ns}$ .

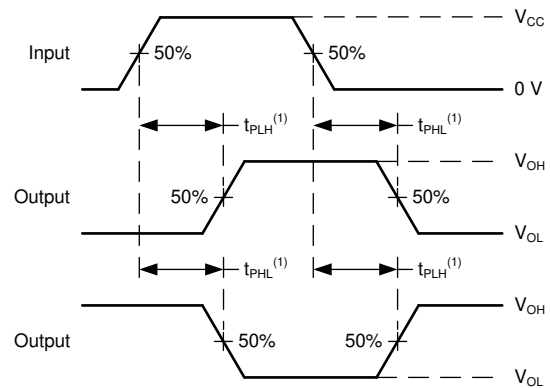
The outputs are measured individually with one input transition per measurement.

TEST	S1	S2	$R_L$	$C_L$	$\Delta V$	$V_{CC}$
$t_{PLH}$ , $t_{PHL}$	OPEN	OPEN	—	50pF	—	ALL
$t_{PLZ}$ , $t_{PZL}$	CLOSED	OPEN	500 $\Omega$	50pF	0.15V	$\leq 2.5\text{V}$
$t_{PHZ}$ , $t_{PZH}$	OPEN	CLOSED	500 $\Omega$	50pF	0.15V	$\leq 2.5\text{V}$
$t_{PLZ}$ , $t_{PZL}$	CLOSED	OPEN	500 $\Omega$	50pF	0.3V	$> 2.5\text{V}$
$t_{PHZ}$ , $t_{PZH}$	OPEN	CLOSED	500 $\Omega$	50pF	0.3V	$> 2.5\text{V}$



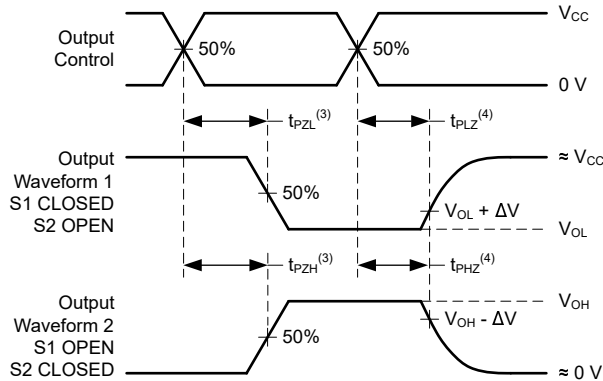
(1)  $C_L$  includes probe and test-fixture capacitance.

**Figure 6-1. Load Circuit for 3-State Outputs**



(1) The greater between  $t_{PLH}$  and  $t_{PHL}$  is the same as  $t_{pd}$ .

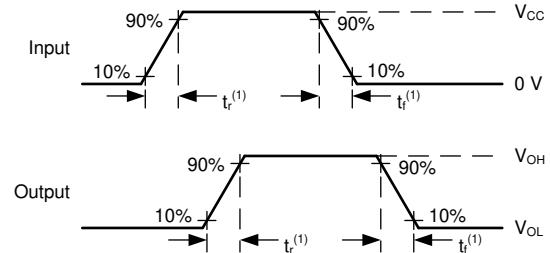
**Figure 6-2. Voltage Waveforms Propagation Delays**



(3) The greater between  $t_{PZL}$  and  $t_{PZH}$  is the same as  $t_{en}$ .

(4) The greater between  $t_{PLZ}$  and  $t_{PHZ}$  is the same as  $t_{dis}$ .

**Figure 6-3. Voltage Waveforms Propagation Delays**



(1) The greater between  $t_r$  and  $t_f$  is the same as  $t_t$ .

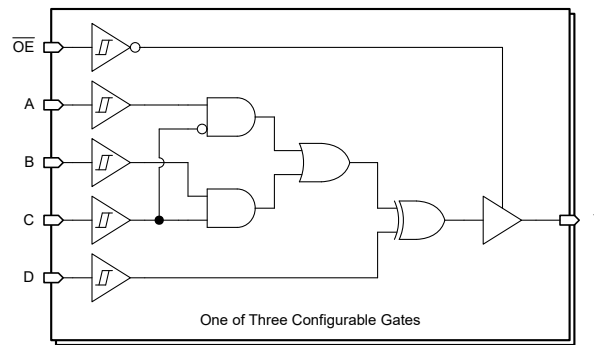
**Figure 6-4. Voltage Waveforms, Input and Output Transition Times**

## 7 Detailed Description

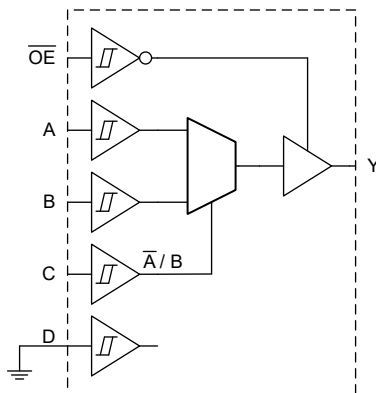
### 7.1 Overview

The SN74AC3G99-Q1 device contains three independent ultra-configurable gates with 3-state outputs. Each gate has an independent active-low output enable ( $\overline{OE}$ ). Each channel of the device performs the boolean function  $Y = (A \cdot \overline{C} + B \cdot C) \oplus D$ . The user can choose logic functions, such as MUX, AND, OR, NAND, NOR, XOR, XNOR, inverter, and buffer by connecting the inputs A, B, C, and D appropriately.

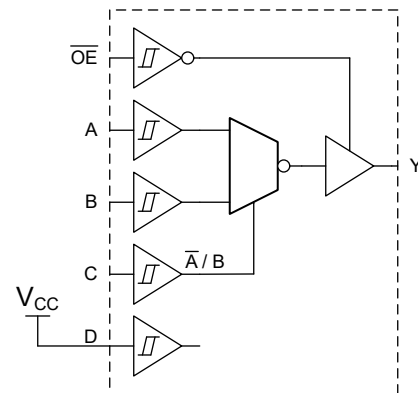
### 7.2 Functional Block Diagram



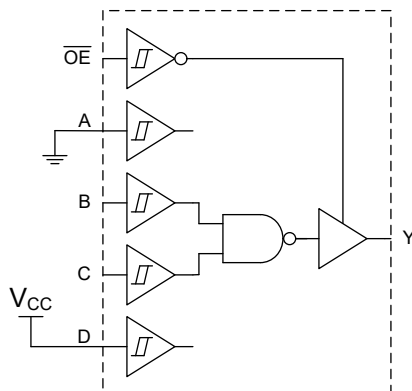
### 7.3 Combinatorial Logic Configurations



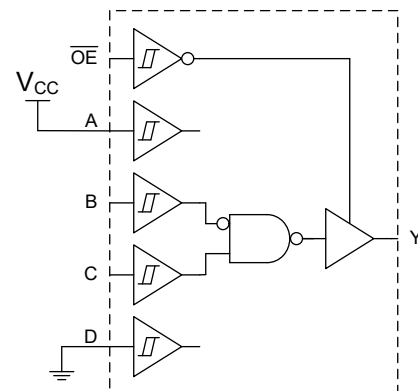
**2-to-1 data selector**



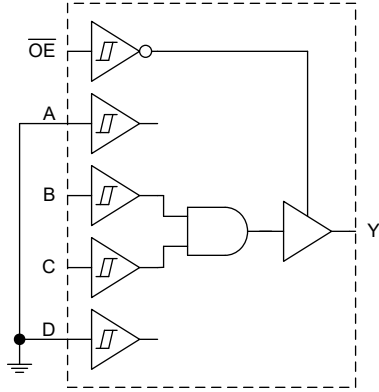
**2-to-1 data selector with inverted output**



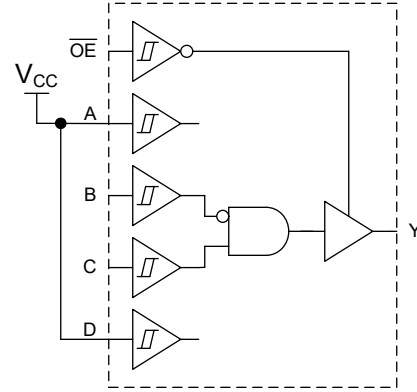
**2-Input NAND**



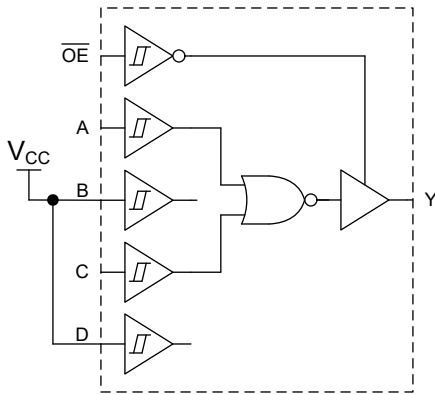
**2-Input NAND with 1 inverted input**



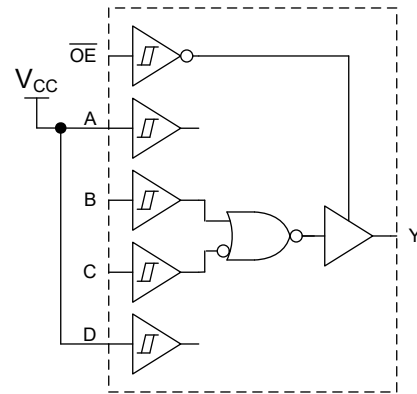
**2-Input AND**



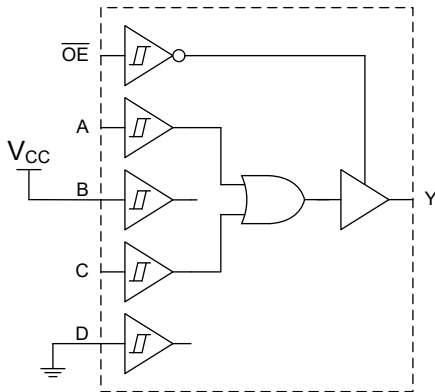
**2-Input AND with 1 inverted input**



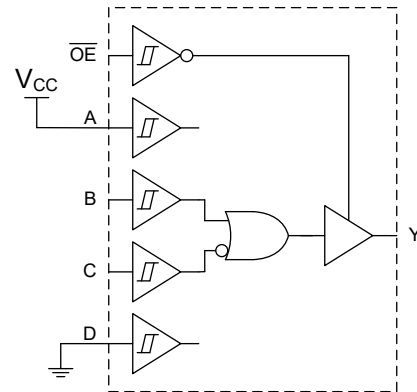
**2-Input NOR**



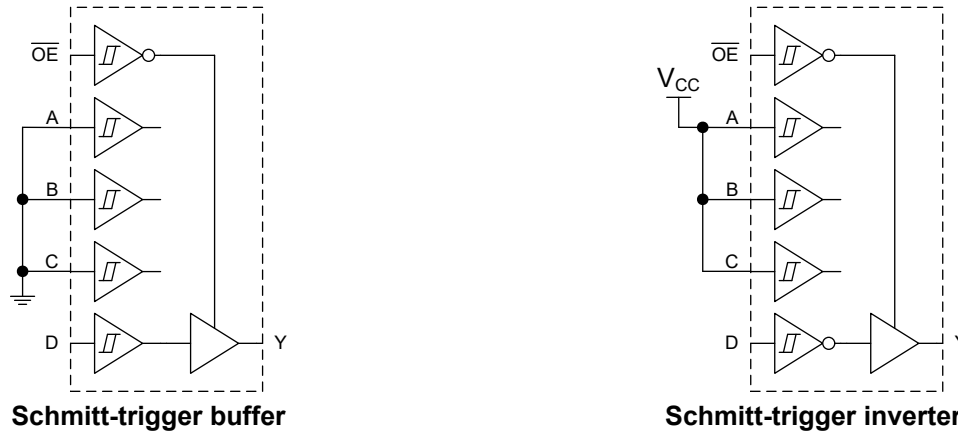
**2-Input NOR with 1 inverted input**



**2-Input OR**



**2-Input OR with 1 inverted input**



**Figure 7-1. Logic Configurations**

## 7.4 Feature Description

### 7.4.1 Balanced CMOS 3-State Outputs

This device includes balanced CMOS 3-state outputs. Driving high, driving low, and high impedance are the three states that these outputs can be in. The term *balanced* indicates that the device can sink and source similar currents. The drive capability of this device may create fast edges into light loads, so routing and load conditions should be considered to prevent ringing. Additionally, the outputs of this device can drive larger currents than the device can sustain without being damaged. It is important for the output power of the device to be limited to avoid damage due to overcurrent. The electrical and thermal limits defined in the *Absolute Maximum Ratings* must be followed at all times.

When placed into the high-impedance state, the output will neither source nor sink current, with the exception of minor leakage current as defined in the *Electrical Characteristics* table. In the high-impedance state, the output voltage is not controlled by the device and is dependent on external factors. If no other drivers are connected to the node, then this is known as a floating node and the voltage is unknown. A pull-up or pull-down resistor can be connected to the output to provide a known voltage at the output while it is in the high-impedance state. The value of the resistor will depend on multiple factors, including parasitic capacitance and power consumption limitations. Typically, a 10kΩ resistor can be used to meet these requirements.

Unused 3-state CMOS outputs should be left disconnected.

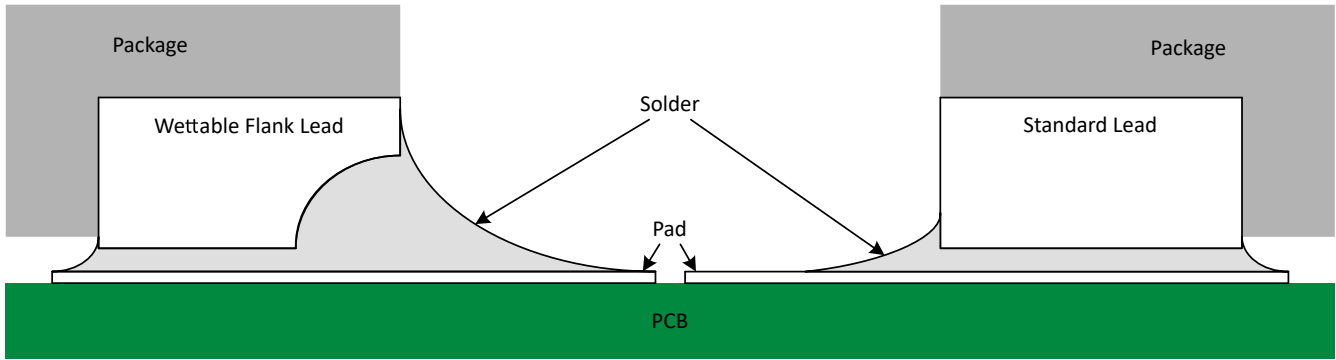
### 7.4.2 CMOS Schmitt-Trigger Inputs

This device includes inputs with the Schmitt-trigger architecture. These inputs are high impedance and are typically modeled as a resistor in parallel with the input capacitance given in the *Electrical Characteristics* table from the input to ground. The worst case resistance is calculated with the maximum input voltage, given in the *Absolute Maximum Ratings* table, and the maximum input leakage current, given in the *Electrical Characteristics* table, using Ohm's law ( $R = V \div I$ ).

The Schmitt-trigger input architecture provides hysteresis as defined by  $\Delta V_T$  in the *Electrical Characteristics* table, which makes this device extremely tolerant to slow or noisy inputs. While the inputs can be driven much slower than standard CMOS inputs, it is still recommended to properly terminate unused inputs. Driving the inputs with slow transitioning signals will increase dynamic current consumption of the device. For additional information regarding Schmitt-trigger inputs, please see [Understanding Schmitt Triggers](#).

### 7.4.3 Wettable Flanks

This device includes wettable flanks for at least one package. See the *Features* section on the front page of the data sheet where packages include this feature.



**Figure 7-2. Simplified Cutaway View of Wettable-Flank QFN Package and Standard QFN Package After Soldering**

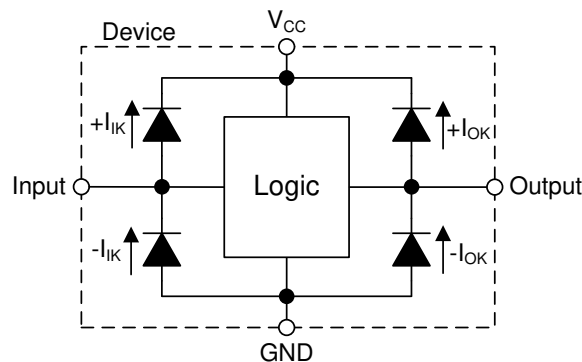
Wettable flanks help improve side wetting after soldering, which makes QFN packages easier to inspect with automatic optical inspection (AOI). As shown in Figure 7-2, a wettable flank can be dimpled or step-cut to provide additional surface area for solder adhesion which assists in reliably creating a side fillet. See the mechanical drawing for additional details.

#### 7.4.4 Clamp Diode Structure

As shown in Figure 7-3, the inputs and outputs to this device have both positive and negative clamping diodes.

**CAUTION**

Voltages beyond the values specified in the *Absolute Maximum Ratings* table can cause damage to the device. The input and output voltage ratings may be exceeded if the input and output clamp-current ratings are observed.



**Figure 7-3. Electrical Placement of Clamping Diodes for Each Input and Output**

### 7.5 Device Functional Modes

Table 7-1 lists the functional modes of the SN74AC3G99-Q1.

**Table 7-1. Function Table**

INPUTS <sup>(1)</sup>					OUTPUTS <sup>(2)</sup>
$\overline{OE}$	D	C	B	A	Y
L	L	L	L	L	L
L	L	L	L	H	H
L	L	L	H	L	L
L	L	L	H	H	H

**Table 7-1. Function Table (continued)**

INPUTS <sup>(1)</sup>					OUTPUTS <sup>(2)</sup>
OE	D	C	B	A	Y
L	L	H	L	L	L
L	L	H	L	H	L
L	L	H	H	L	H
L	L	H	H	H	H
L	H	L	L	L	H
L	H	L	L	H	L
L	H	L	H	L	H
L	H	L	H	H	L
L	H	H	L	L	H
L	H	H	L	H	H
L	H	H	H	L	L
L	H	H	H	H	L
H	X	X	X	X	Z

(1) H = High Voltage level, L = Low Voltage level, X = Don't care

(2) H = Driving high state, L = Driving low state, Z = High-impedance state

## 8 Application and Implementation

### Note

Information in the following applications sections is not part of the TI component specification, and TI does not warrant its accuracy or completeness. TI's customers are responsible for determining suitability of components for their purposes, as well as validating and testing their design implementation to confirm system functionality.

### 8.1 Application Information

The SN74AC3G99-Q1 device offers flexible configuration for many design applications. This example describes basic control of a device using the AND gate configuration. The SN74AC3G99-Q1 is used to gate the signal from the MCU based on the status of the  $V_{CC}$  voltage.

### 8.2 Typical Application

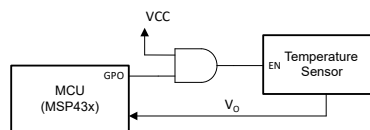


Figure 8-1. Typical Application Schematic

## 8.2.1 Design Requirements

### 8.2.1.1 Power Considerations

Ensure the desired supply voltage is within the range specified in the *Recommended Operating Conditions*. The supply voltage sets the device's electrical characteristics of the device as described in the *Electrical Characteristics* section.

The positive voltage supply must be capable of sourcing current equal to the total current to be sourced by all outputs of the SN74AC3G99-Q1 plus the maximum static supply current,  $I_{CC}$ , listed in the *Electrical Characteristics*, and any transient current required for switching. The logic device can only source as much current that is provided by the positive supply source. Ensure the maximum total current through  $V_{CC}$  listed in the *Absolute Maximum Ratings* is not exceeded.

The ground must be capable of sinking current equal to the total current to be sunk by all outputs of the SN74AC3G99-Q1 plus the maximum supply current,  $I_{CC}$ , listed in the *Electrical Characteristics*, and any transient current required for switching. The logic device can only sink as much current that can be sunk into its ground connection. Ensure the maximum total current through GND listed in the *Absolute Maximum Ratings* is not exceeded.

The SN74AC3G99-Q1 can drive a load with a total capacitance less than or equal to 50pF while still meeting all of the data sheet specifications. Larger capacitive loads can be applied; however, it is not recommended to exceed 50pF.

The SN74AC3G99-Q1 can drive a load with total resistance described by  $R_L \geq V_O / I_O$ , with the output voltage and current defined in the *Electrical Characteristics* table with  $V_{OH}$  and  $V_{OL}$ . When outputting in the HIGH state, the output voltage in the equation is defined as the difference between the measured output voltage and the supply voltage at the  $V_{CC}$  pin.

Total power consumption can be calculated using the information provided in [CMOS Power Consumption and Cpd Calculation](#).

Thermal increase can be calculated using the information provided in [Thermal Characteristics of Standard Linear and Logic \(SLL\) Packages and Devices](#).

#### CAUTION

The maximum junction temperature,  $T_{J(max)}$  listed in the *Absolute Maximum Ratings*, is an additional limitation to prevent damage to the device. Do not violate any values listed in the *Absolute Maximum Ratings*. These limits are provided to prevent damage to the device.

### 8.2.1.2 Input Considerations

Input signals must cross  $V_{t-(\min)}$  to be considered a logic LOW, and  $V_{t+(\max)}$  to be considered a logic HIGH. Do not exceed the maximum input voltage range found in the *Absolute Maximum Ratings*.

Unused inputs must be terminated to either  $V_{CC}$  or ground. The unused inputs can be directly terminated if the input is completely unused, or they can be connected with a pull-up or pull-down resistor if the input will be used sometimes, but not always. A pull-up resistor is used for a default state of HIGH, and a pull-down resistor is used for a default state of LOW. The drive current of the controller, leakage current into the SN74AC3G99-Q1 (as specified in the *Electrical Characteristics*), and the desired input transition rate limits the resistor size. A 10k $\Omega$  resistor value is often used due to these factors.

The SN74AC3G99-Q1 has no input signal transition rate requirements because it has Schmitt-Trigger inputs.

Another benefit to having Schmitt-Trigger inputs is the ability to reject noise. Noise with a large enough amplitude can still cause issues. To know how much noise is too much, please refer to the  $\Delta V_{T(\min)}$  in the *Electrical Characteristics*. This hysteresis value will provide the peak-to-peak limit.

Unlike what happens with standard CMOS inputs, Schmitt-Trigger inputs can be held at any valid value without causing huge increases in power consumption. The typical additional current caused by holding an input at a value other than  $V_{CC}$  or ground is plotted in the *Typical Characteristics*.

Refer to the *Feature Description* section for additional information regarding the inputs for this device.

### 8.2.1.3 Output Considerations

The positive supply voltage is used to produce the output HIGH voltage. Drawing current from the output will decrease the output voltage as specified by the  $V_{OH}$  specification in the *Electrical Characteristics*. The ground voltage is used to produce the output LOW voltage. Sinking current into the output will increase the output voltage as specified by the  $V_{OL}$  specification in the *Electrical Characteristics*.

Push-pull outputs that could be in opposite states, even for a very short time period, should never be connected directly together. This can cause excessive current and damage to the device.

Two channels within the same device with the same input signals can be connected in parallel for additional output drive strength.

Unused outputs can be left floating. Do not connect outputs directly to  $V_{CC}$  or ground.

Refer to the *Feature Description* section for additional information regarding the outputs for this device.

### 8.2.2 Detailed Design Procedure

1. Add a decoupling capacitor from  $V_{CC}$  to GND. The capacitor needs to be placed physically close to the device and electrically close to both the  $V_{CC}$  and GND pins. An example layout is shown in the *Layout* section.
2. Ensure the capacitive load at the output is  $\leq 50\text{pF}$ . This is not a hard limit; by design, however, it will optimize performance. This can be accomplished by providing short, appropriately sized traces from the SN74AC3G99-Q1 to one or more of the receiving devices.
3. Ensure the resistive load at the output is larger than  $(V_{CC} / I_{O(\text{max})})\Omega$ . Doing this will prevent the maximum output current from the *Absolute Maximum Ratings* from being violated. Most CMOS inputs have a resistive load measured in  $\text{M}\Omega$ ; much larger than the minimum calculated previously.
4. Thermal issues are rarely a concern for logic gates; the power consumption and thermal increase, however, can be calculated using the steps provided in the application report, [CMOS Power Consumption and Cpd Calculation](#).

### 8.2.3 Application Curves



**Figure 8-2. Typical Application Timing Diagram**

## 8.3 Power Supply Recommendations

The power supply can be any voltage between the minimum and maximum supply voltage rating listed in the *Recommended Operating Conditions*.

Each  $V_{CC}$  terminal should have a good bypass capacitor to prevent power disturbance. For the SN74AC3G99-Q1, a  $0.1\mu\text{F}$  bypass capacitor is recommended. To reject different frequencies of noise, use multiple bypass capacitors in parallel. Capacitors with values of  $0.1\mu\text{F}$  and  $1\mu\text{F}$  are commonly used in parallel.

## 8.4 Layout

### 8.4.1 Layout Guidelines

- Bypass capacitor placement
  - Place near the positive supply terminal of the device
  - Provide an electrically short ground return path
  - Use wide traces to minimize impedance
  - Keep the device, capacitors, and traces on the same side of the board whenever possible
- Signal trace geometry
  - 8mil to 12mil trace width
  - Lengths less than 12cm to minimize transmission line effects
  - Avoid  $90^\circ$  corners for signal traces
  - Use an unbroken ground plane below signal traces
  - Flood fill areas around signal traces with ground
  - For traces longer than 12cm
    - Use impedance controlled traces
    - Source-terminate using a series damping resistor near the output
    - Avoid branches; buffer signals that must branch separately

### 8.4.2 Layout Example

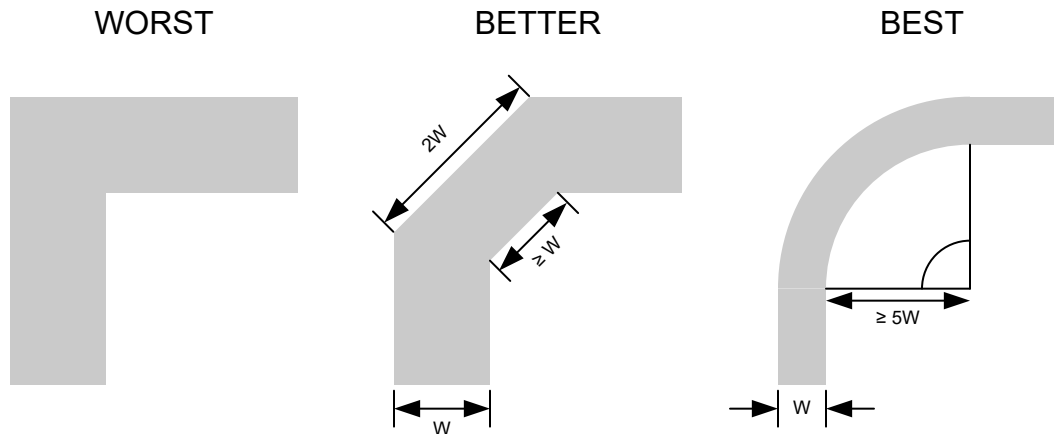


Figure 8-3. Example Trace Corners for Improved Signal Integrity

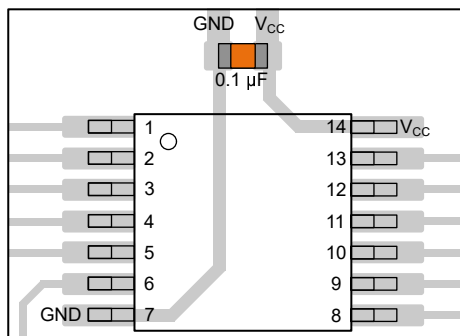


Figure 8-4. Example Bypass Capacitor Placement for TSSOP and Similar Packages

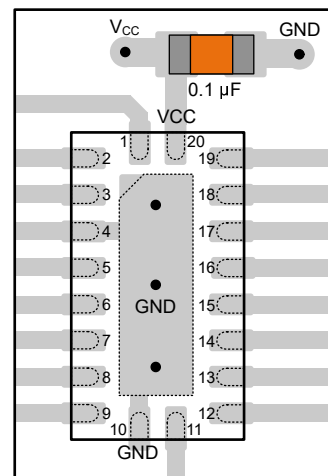


Figure 8-5. Example Bypass Capacitor Placement for WQFN and Similar Packages

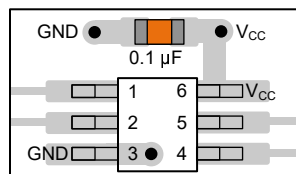


Figure 8-6. Example Bypass Capacitor Placement for SOT, SC70 and Similar Packages

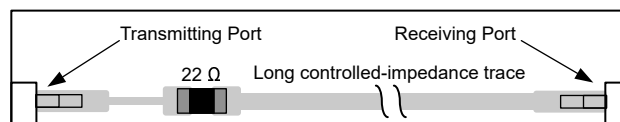


Figure 8-7. Example Damping Resistor Placement for Improved Signal Integrity

## 9 Device and Documentation Support

TI offers an extensive line of development tools. Tools and software to evaluate the performance of the device, generate code, and develop solutions are listed below.

### 9.1 Documentation Support

#### 9.1.1 Related Documentation

For related documentation, see the following:

- Texas Instruments, [CMOS Power Consumption and  \$C\_{pd}\$  Calculation application report](#)
- Texas Instruments, [Designing With Logic application report](#)
- Texas Instruments, [Thermal Characteristics of Standard Linear and Logic \(SLL\) Packages and Devices application report](#)

### 9.2 Receiving Notification of Documentation Updates

To receive notification of documentation updates, navigate to the device product folder on [ti.com](#). Click on *Notifications* to register and receive a weekly digest of any product information that has changed. For change details, review the revision history included in any revised document.

### 9.3 Support Resources

TI E2E™ [support forums](#) are an engineer's go-to source for fast, verified answers and design help — straight from the experts. Search existing answers or ask your own question to get the quick design help you need.

Linked content is provided "AS IS" by the respective contributors. They do not constitute TI specifications and do not necessarily reflect TI's views; see TI's [Terms of Use](#).

### 9.4 Trademarks

TI E2E™ is a trademark of Texas Instruments.  
All trademarks are the property of their respective owners.

### 9.5 Electrostatic Discharge Caution



This integrated circuit can be damaged by ESD. Texas Instruments recommends that all integrated circuits be handled with appropriate precautions. Failure to observe proper handling and installation procedures can cause damage.

ESD damage can range from subtle performance degradation to complete device failure. Precision integrated circuits may be more susceptible to damage because very small parametric changes could cause the device not to meet its published specifications.

### 9.6 Glossary

[TI Glossary](#) This glossary lists and explains terms, acronyms, and definitions.

## 10 Revision History

NOTE: Page numbers for previous revisions may differ from page numbers in the current version.

DATE	REVISION	NOTES
November 2024	*	Initial release

## 11 Mechanical, Packaging, and Orderable Information

The following pages include mechanical, packaging, and orderable information. This information is the most current data available for the designated devices. This data is subject to change without notice and revision of this document. For browser-based versions of this data sheet, refer to the left-hand navigation.

**PACKAGING INFORMATION**

Orderable part number	Status (1)	Material type (2)	Package   Pins	Package qty   Carrier	RoHS (3)	Lead finish/ Ball material (4)	MSL rating/ Peak reflow (5)	Op temp (°C)	Part marking (6)
<a href="#">SN74AC3G99DGSRQ1</a>	Active	Production	VSSOP (DGS)   20	5000   LARGE T&R	Yes	NIPDAU	Level-1-260C-UNLIM	-40 to 125	AC99Q
SN74AC3G99DGSRQ1.A	Active	Production	VSSOP (DGS)   20	5000   LARGE T&R	Yes	NIPDAU	Level-1-260C-UNLIM	-40 to 125	AC99Q
<a href="#">SN74AC3G99PWRQ1</a>	Active	Production	TSSOP (PW)   20	3000   LARGE T&R	Yes	NIPDAU	Level-1-260C-UNLIM	-40 to 125	AC3G99Q
SN74AC3G99PWRQ1.A	Active	Production	TSSOP (PW)   20	3000   LARGE T&R	Yes	NIPDAU	Level-1-260C-UNLIM	-40 to 125	AC3G99Q
<a href="#">SN74AC3G99WRKSRQ1</a>	Active	Production	VQFN (RKS)   20	3000   LARGE T&R	Yes	NIPDAU	Level-1-260C-UNLIM	-40 to 125	AC3G99Q
SN74AC3G99WRKSRQ1.A	Active	Production	VQFN (RKS)   20	3000   LARGE T&R	Yes	NIPDAU	Level-1-260C-UNLIM	-40 to 125	AC3G99Q

(1) **Status:** For more details on status, see our [product life cycle](#).

(2) **Material type:** When designated, preproduction parts are prototypes/experimental devices, and are not yet approved or released for full production. Testing and final process, including without limitation quality assurance, reliability performance testing, and/or process qualification, may not yet be complete, and this item is subject to further changes or possible discontinuation. If available for ordering, purchases will be subject to an additional waiver at checkout, and are intended for early internal evaluation purposes only. These items are sold without warranties of any kind.

(3) **RoHS values:** Yes, No, RoHS Exempt. See the [TI RoHS Statement](#) for additional information and value definition.

(4) **Lead finish/Ball material:** Parts may have multiple material finish options. Finish options are separated by a vertical ruled line. Lead finish/Ball material values may wrap to two lines if the finish value exceeds the maximum column width.

(5) **MSL rating/Peak reflow:** The moisture sensitivity level ratings and peak solder (reflow) temperatures. In the event that a part has multiple moisture sensitivity ratings, only the lowest level per JEDEC standards is shown. Refer to the shipping label for the actual reflow temperature that will be used to mount the part to the printed circuit board.

(6) **Part marking:** There may be an additional marking, which relates to the logo, the lot trace code information, or the environmental category of the part.

Multiple part markings will be inside parentheses. Only one part marking contained in parentheses and separated by a "~" will appear on a part. If a line is indented then it is a continuation of the previous line and the two combined represent the entire part marking for that device.

**Important Information and Disclaimer:** The information provided on this page represents TI's knowledge and belief as of the date that it is provided. TI bases its knowledge and belief on information provided by third parties, and makes no representation or warranty as to the accuracy of such information. Efforts are underway to better integrate information from third parties. TI has taken and continues to take reasonable steps to provide representative and accurate information but may not have conducted destructive testing or chemical analysis on incoming materials and chemicals. TI and TI suppliers consider certain information to be proprietary, and thus CAS numbers and other limited information may not be available for release.

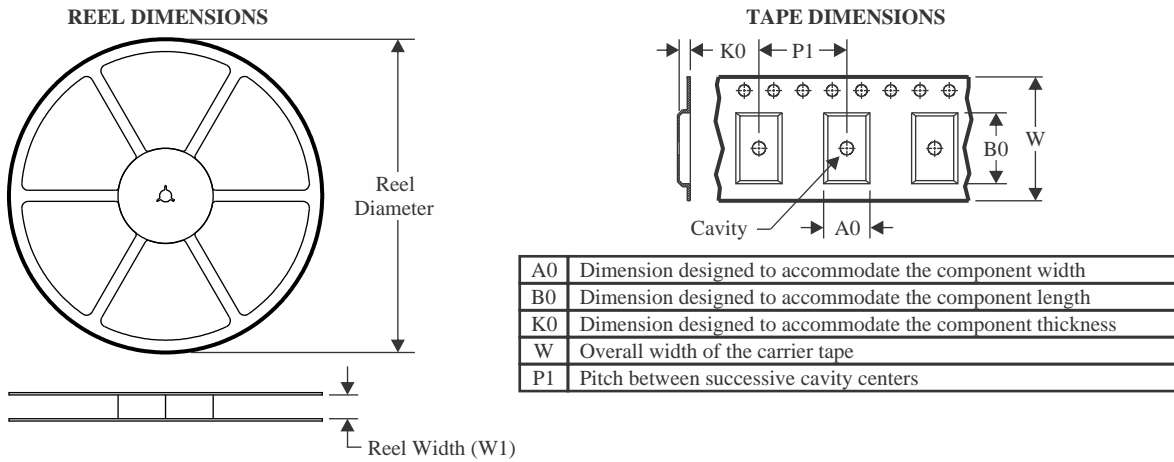
In no event shall TI's liability arising out of such information exceed the total purchase price of the TI part(s) at issue in this document sold by TI to Customer on an annual basis.

**OTHER QUALIFIED VERSIONS OF SN74AC3G99-Q1 :**

- Catalog : [SN74AC3G99](#)

## NOTE: Qualified Version Definitions:

- Catalog - TI's standard catalog product

**TAPE AND REEL INFORMATION**

**QUADRANT ASSIGNMENTS FOR PIN 1 ORIENTATION IN TAPE**


\*All dimensions are nominal

Device	Package Type	Package Drawing	Pins	SPQ	Reel Diameter (mm)	Reel Width W1 (mm)	A0 (mm)	B0 (mm)	K0 (mm)	P1 (mm)	W (mm)	Pin1 Quadrant
SN74AC3G99DGSRQ1	VSSOP	DGS	20	5000	330.0	16.4	5.4	5.4	1.45	8.0	16.0	Q1
SN74AC3G99PWRQ1	TSSOP	PW	20	3000	330.0	16.4	6.95	7.0	1.4	8.0	16.0	Q1
SN74AC3G99WRKSRQ1	VQFN	RKS	20	3000	180.0	12.4	2.8	4.8	1.2	4.0	12.0	Q1

**TAPE AND REEL BOX DIMENSIONS**


\*All dimensions are nominal

Device	Package Type	Package Drawing	Pins	SPQ	Length (mm)	Width (mm)	Height (mm)
SN74AC3G99DGSRQ1	VSSOP	DGS	20	5000	356.0	356.0	35.0
SN74AC3G99PWRQ1	TSSOP	PW	20	3000	353.0	353.0	32.0
SN74AC3G99WRKSRQ1	VQFN	RKS	20	3000	210.0	185.0	35.0

## GENERIC PACKAGE VIEW

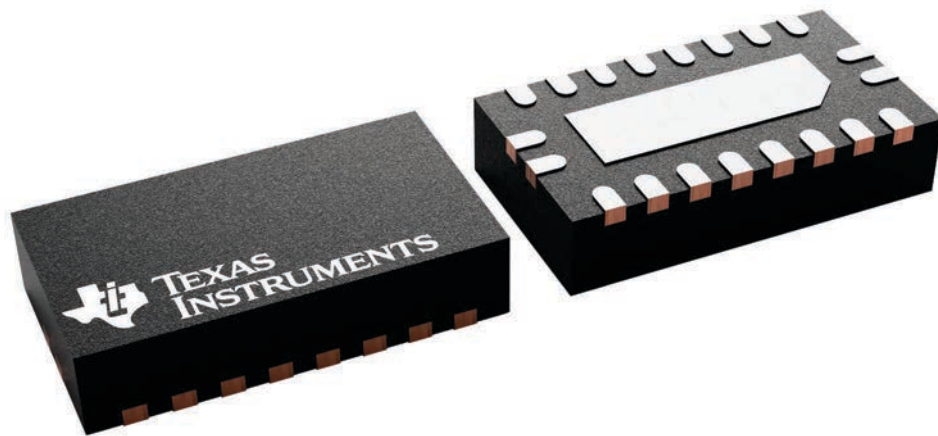
**RKS 20**

**VQFN - 1 mm max height**

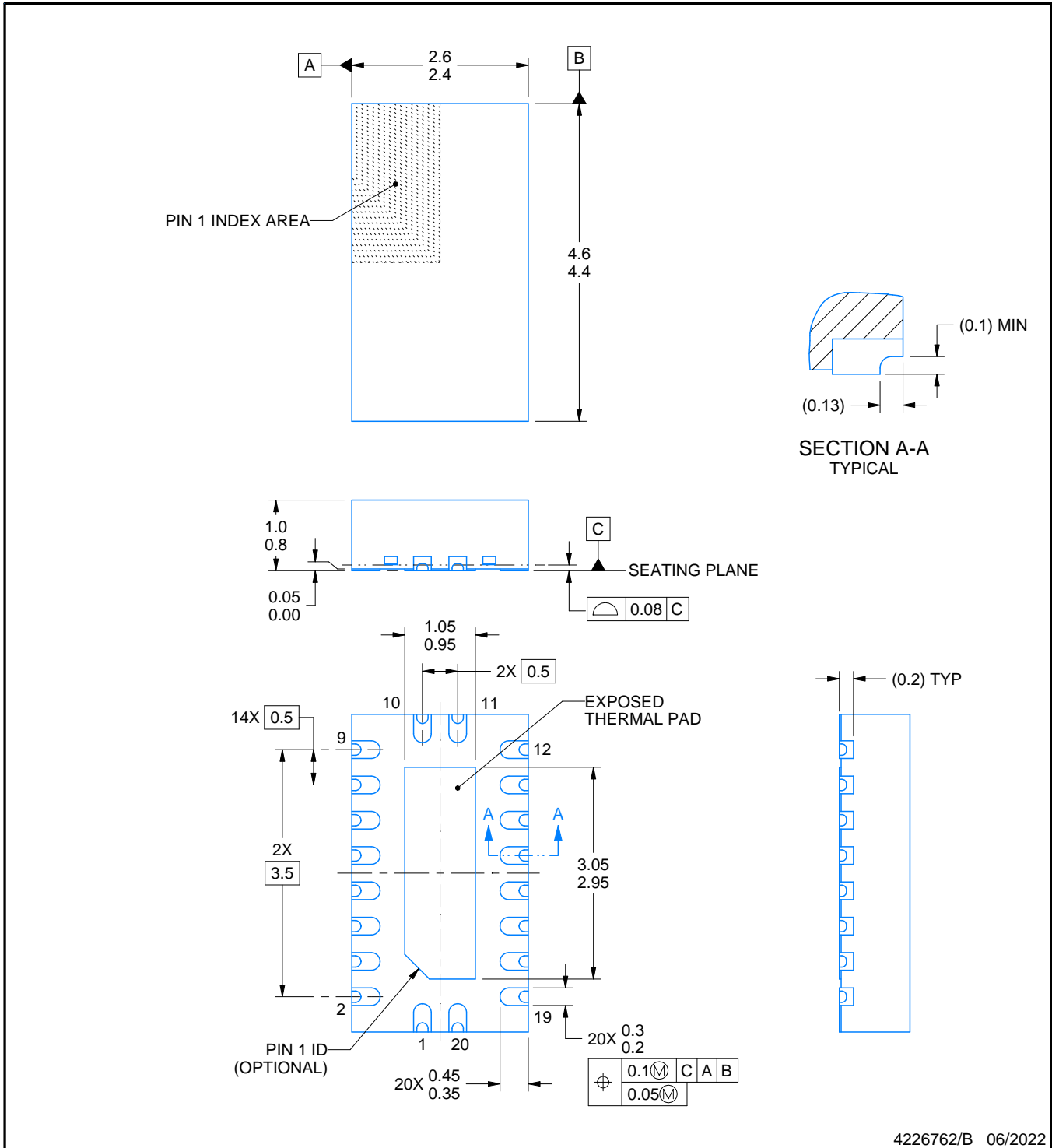
2.5 x 4.5, 0.5 mm pitch

PLASTIC QUAD FLATPACK - NO LEAD

This image is a representation of the package family, actual package may vary.  
Refer to the product data sheet for package details.



4226872/A



NOTES:

1. All linear dimensions are in millimeters. Any dimensions in parenthesis are for reference only. Dimensioning and tolerancing per ASME Y14.5M.
2. This drawing is subject to change without notice.
3. The package thermal pad must be soldered to the printed circuit board for thermal and mechanical performance.

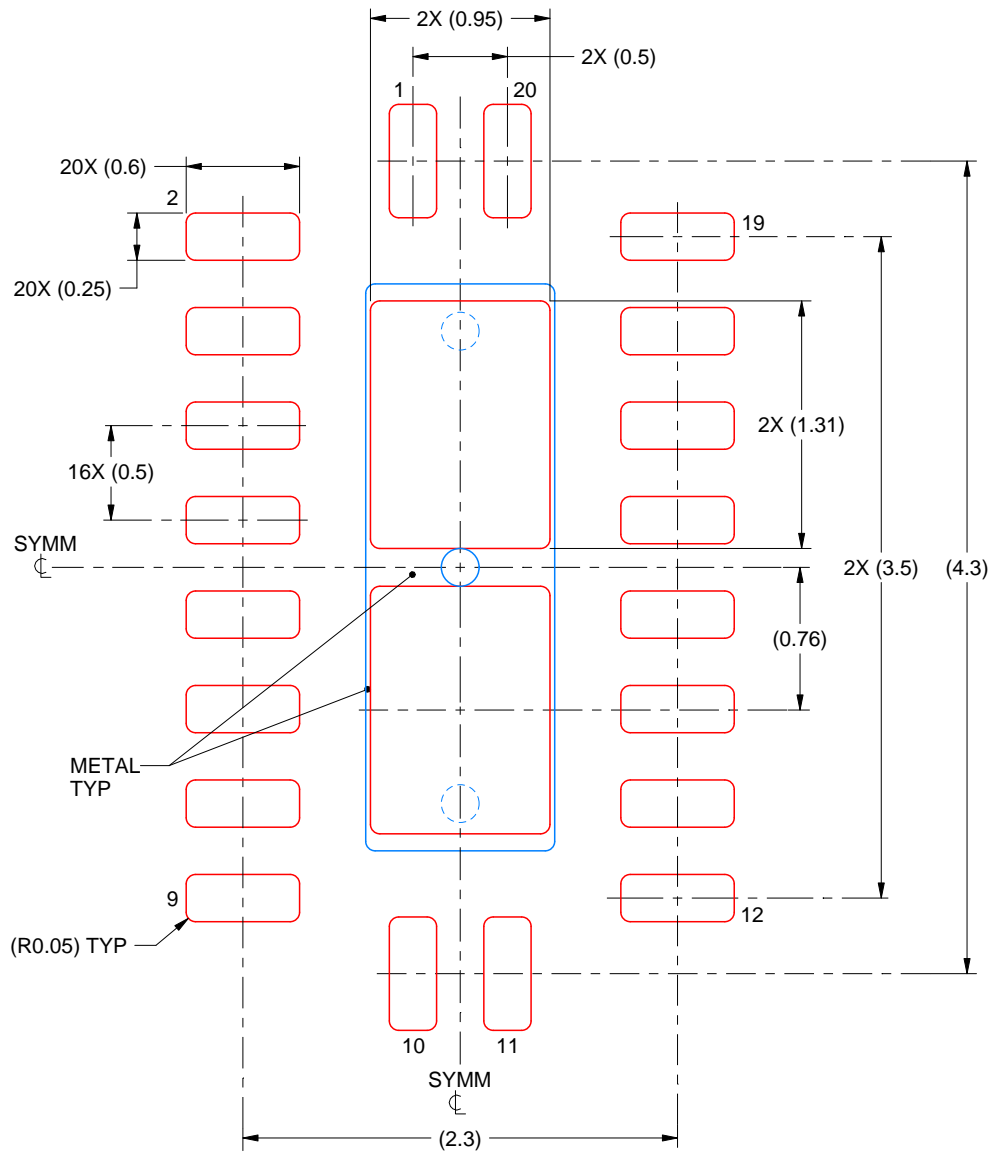


# EXAMPLE STENCIL DESIGN

RKS0020B

VQFN - 1 mm max height

PLASTIC QUAD FLATPACK - NO LEAD



**SOLDER PASTE EXAMPLE**  
 BASED ON 0.125 mm THICK STENCIL

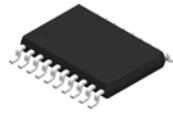
EXPOSED PAD  
 83% PRINTED SOLDER COVERAGE BY AREA  
 SCALE:25X

4226762/B 06/2022

NOTES: (continued)

6. Laser cutting apertures with trapezoidal walls and rounded corners may offer better paste release. IPC-7525 may have alternate design recommendations.

# PW0020A



# PACKAGE OUTLINE

## TSSOP - 1.2 mm max height

SMALL OUTLINE PACKAGE



4220206/A 02/2017

### NOTES:

1. All linear dimensions are in millimeters. Any dimensions in parenthesis are for reference only. Dimensioning and tolerancing per ASME Y14.5M.
2. This drawing is subject to change without notice.
3. This dimension does not include mold flash, protrusions, or gate burrs. Mold flash, protrusions, or gate burrs shall not exceed 0.15 mm per side.
4. This dimension does not include interlead flash. Interlead flash shall not exceed 0.25 mm per side.
5. Reference JEDEC registration MO-153.

# EXAMPLE BOARD LAYOUT

PW0020A

TSSOP - 1.2 mm max height

SMALL OUTLINE PACKAGE



LAND PATTERN EXAMPLE  
EXPOSED METAL SHOWN  
SCALE: 10X



SOLDER MASK DETAILS

4220206/A 02/2017

NOTES: (continued)

- 6. Publication IPC-7351 may have alternate designs.
- 7. Solder mask tolerances between and around signal pads can vary based on board fabrication site.

# EXAMPLE STENCIL DESIGN

PW0020A

TSSOP - 1.2 mm max height

SMALL OUTLINE PACKAGE



SOLDER PASTE EXAMPLE  
BASED ON 0.125 mm THICK STENCIL  
SCALE: 10X

4220206/A 02/2017

NOTES: (continued)

8. Laser cutting apertures with trapezoidal walls and rounded corners may offer better paste release. IPC-7525 may have alternate design recommendations.
9. Board assembly site may have different recommendations for stencil design.

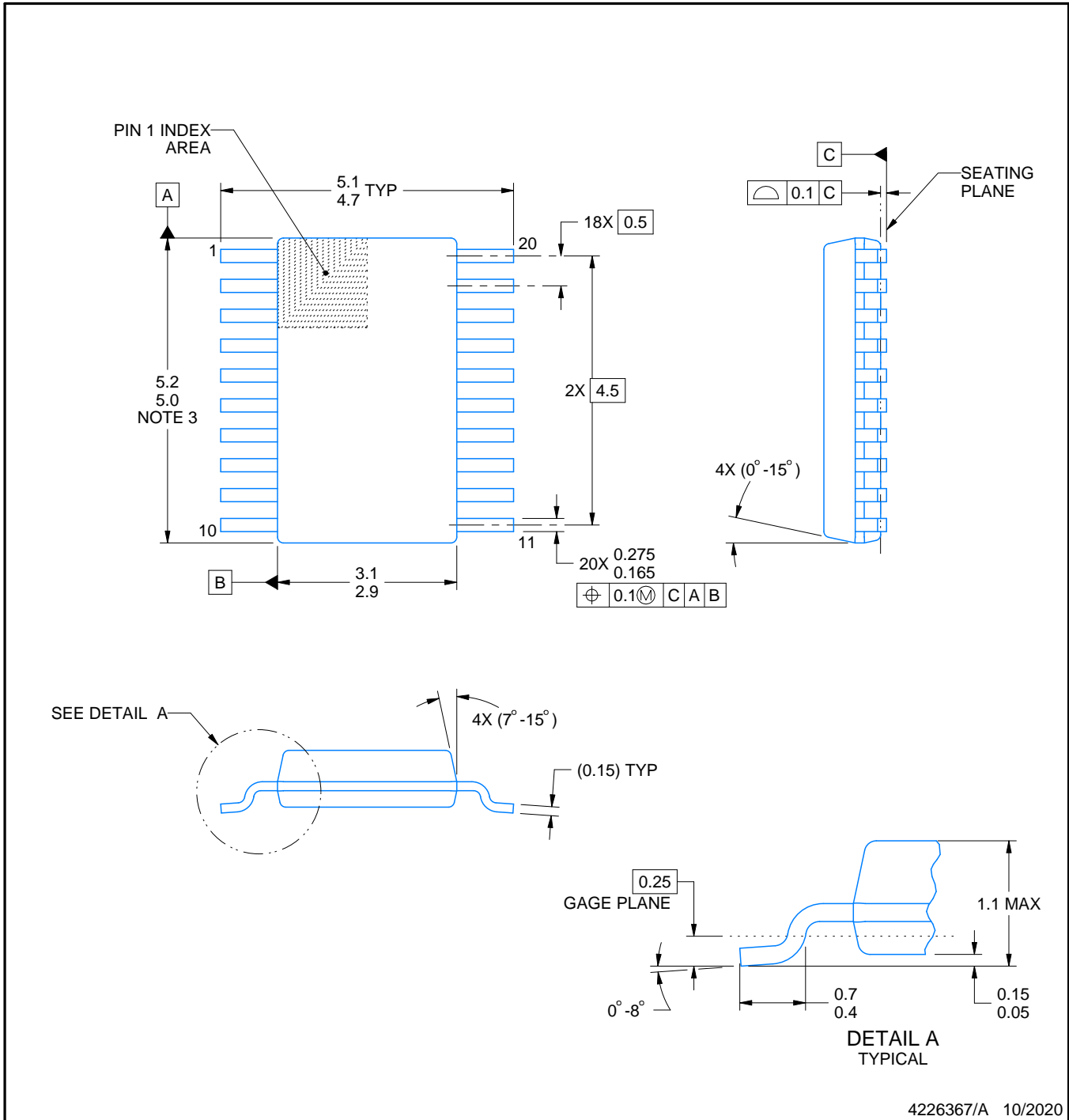
# DGS0020A



# PACKAGE OUTLINE

VSSOP - 1.1 mm max height

SMALL OUTLINE PACKAGE



4226367/A 10/2020

**NOTES:**

PowerPAD is a trademark of Texas Instruments.

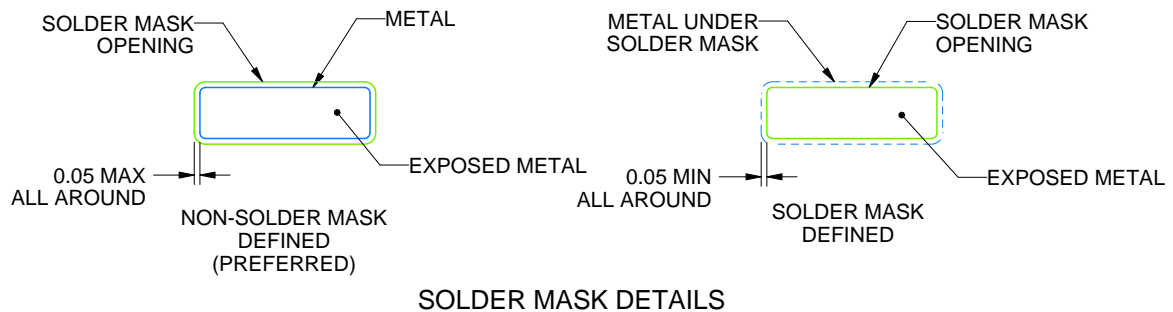
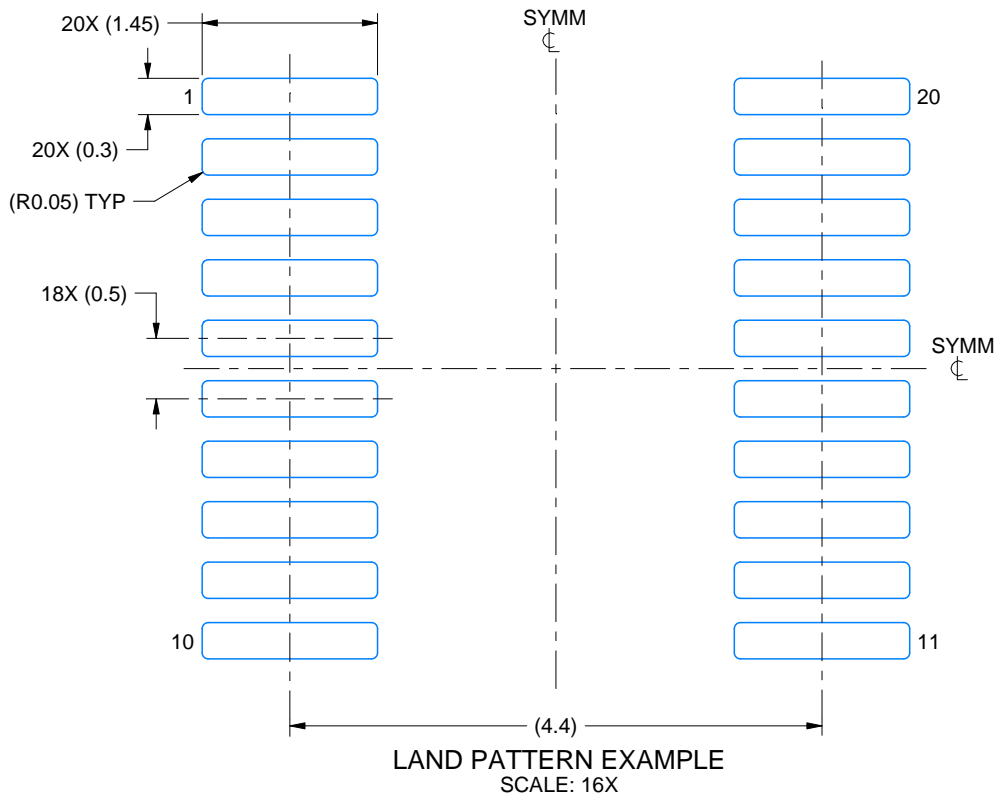
1. All linear dimensions are in millimeters. Any dimensions in parenthesis are for reference only. Dimensioning and tolerancing per ASME Y14.5M.
2. This drawing is subject to change without notice.
3. This dimension does not include mold flash, protrusions, or gate burrs. Mold flash, protrusions, or gate burrs shall not exceed 0.15 mm per side.
4. No JEDEC registration as of September 2020.
5. Features may differ or may not be present.

# EXAMPLE BOARD LAYOUT

DGS0020A

VSSOP - 1.1 mm max height

SMALL OUTLINE PACKAGE



4226367/A 10/2020

NOTES: (continued)

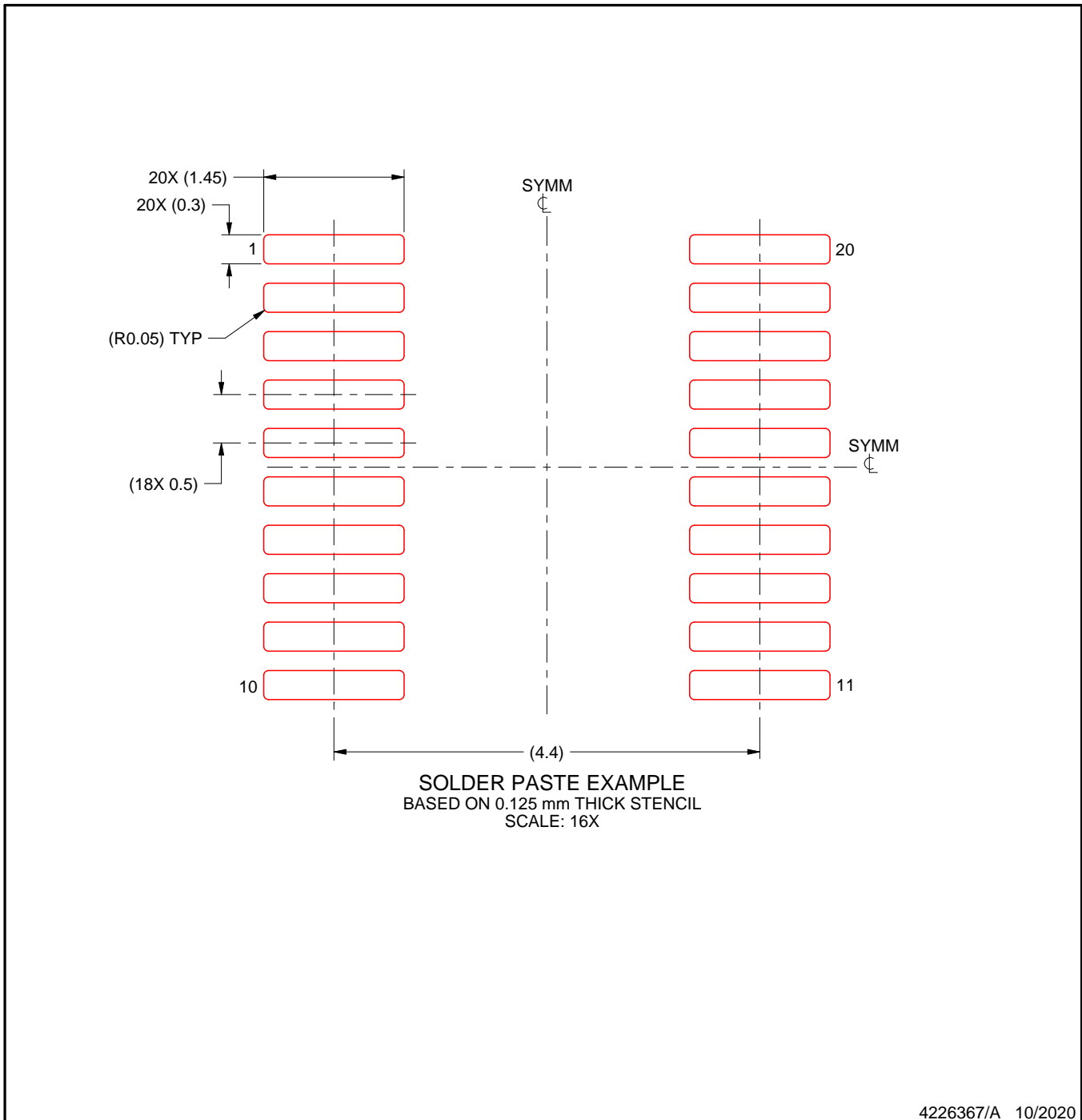
6. Publication IPC-7351 may have alternate designs.
7. Solder mask tolerances between and around signal pads can vary based on board fabrication site.
8. This package is designed to be soldered to a thermal pad on the board. For more information, see Texas Instruments literature numbers SLMA002 ([www.ti.com/lit/slma002](http://www.ti.com/lit/slma002)) and SLMA004 ([www.ti.com/lit/slma004](http://www.ti.com/lit/slma004)).
9. Size of metal pad may vary due to creepage requirement.
10. Vias are optional depending on application, refer to device data sheet. It is recommended that vias under paste be filled, plugged or tented.

# EXAMPLE STENCIL DESIGN

DGS0020A

VSSOP - 1.1 mm max height

SMALL OUTLINE PACKAGE



NOTES: (continued)

11. Laser cutting apertures with trapezoidal walls and rounded corners may offer better paste release. IPC-7525 may have alternate design recommendations.
12. Board assembly site may have different recommendations for stencil design.

## IMPORTANT NOTICE AND DISCLAIMER

TI PROVIDES TECHNICAL AND RELIABILITY DATA (INCLUDING DATA SHEETS), DESIGN RESOURCES (INCLUDING REFERENCE DESIGNS), APPLICATION OR OTHER DESIGN ADVICE, WEB TOOLS, SAFETY INFORMATION, AND OTHER RESOURCES "AS IS" AND WITH ALL FAULTS, AND DISCLAIMS ALL WARRANTIES, EXPRESS AND IMPLIED, INCLUDING WITHOUT LIMITATION ANY IMPLIED WARRANTIES OF MERCHANTABILITY, FITNESS FOR A PARTICULAR PURPOSE OR NON-INFRINGEMENT OF THIRD PARTY INTELLECTUAL PROPERTY RIGHTS.

These resources are intended for skilled developers designing with TI products. You are solely responsible for (1) selecting the appropriate TI products for your application, (2) designing, validating and testing your application, and (3) ensuring your application meets applicable standards, and any other safety, security, regulatory or other requirements.

These resources are subject to change without notice. TI grants you permission to use these resources only for development of an application that uses the TI products described in the resource. Other reproduction and display of these resources is prohibited. No license is granted to any other TI intellectual property right or to any third party intellectual property right. TI disclaims responsibility for, and you will fully indemnify TI and its representatives against, any claims, damages, costs, losses, and liabilities arising out of your use of these resources.

TI's products are provided subject to [TI's Terms of Sale](#) or other applicable terms available either on [ti.com](https://www.ti.com) or provided in conjunction with such TI products. TI's provision of these resources does not expand or otherwise alter TI's applicable warranties or warranty disclaimers for TI products.

TI objects to and rejects any additional or different terms you may have proposed.

Mailing Address: Texas Instruments, Post Office Box 655303, Dallas, Texas 75265

Copyright © 2025, Texas Instruments Incorporated