

# LMG3100R017 (126A), LMG3100R044 (46A) 100V GaN FET With Integrated Driver

## 1 Features

- Integrated 1.7mΩ (LMG3100R017) or 4.4 mΩ (LMG3100R044) GaN FET and driver
- 100V continuous, 120V pulsed voltage rating
- Integrated high-side level shift and bootstrap
- Two LMG3100 can form a half-bridge
  - No external level shifter needed
- 5V external bias power supply
- Supports 3.3V and 5V input logic levels
- High slew rate switching with low ringing
- Gate driver capable of up to 10MHz switching
- Internal bootstrap supply voltage clamping to prevent GaN FET overdrive
- Supply rail undervoltage lockout protection
- Low power consumption
- Package optimized for easy PCB layout
- Exposed top QFN package for top-side cooling
- Large exposed pads at bottom for bottom-side cooling

## 2 Applications

- Buck, boost, and buck-boost converters
- LLC converters
- [Solar inverters](#)
- [Telecom and server power](#)
- [Motor drives](#)
- [Power tools](#)
- [Class-D audio amplifiers](#)

## 3 Description

The LMG3100 device is a 100V continuous, 120V pulsed Gallium Nitride (GaN) FET with integrated driver. Device is offered in two Rds(on) and max current variants, 126A/1.7mΩ for LMG3100R017 and 46A/4.4mΩ for LMG3100R044. The device consists of a 100V GaN FET driven by a high-frequency GaN FET driver. The LMG3100 incorporates a high side level shifter and bootstrap circuit, so that two LMG3100 devices can be used to form a half bridge without an additional level shifter.

GaN FETs provide significant advantages for power conversion as they have zero reverse recovery and very small input capacitance C<sub>ISS</sub> and output capacitance C<sub>OSS</sub>. The driver and the GaN FET are mounted on a completely bond-wire free package platform with minimized package parasitic elements. The LMG3100 device is available in a 6.5mm × 4mm × 0.89mm lead-free package and can be easily mounted on PCBs.

The TTL logic compatible inputs can support 3.3V and 5V logic levels regardless of the VCC voltage. The proprietary bootstrap voltage clamping technique ensures the gate voltages of the enhancement mode GaN FETs are within a safe operating range.

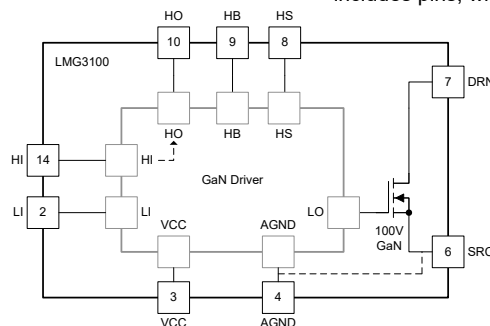
The device extends advantages of discrete GaN FETs by offering a more user-friendly interface. It is an ideal solution for applications requiring high-frequency, high-efficiency operation in a small form factor.

### Package Information

PART NUMBER	PACKAGE <sup>(1)</sup>	PACKAGE SIZE <sup>(2)</sup>
LMG3100R017	VBE (VQFN, 15)	6.50mm × 4.0mm
LMG3100R044		

(1) For all available packages, see [Section 11](#).

(2) The package size (length × width) is a nominal value and includes pins, where applicable.



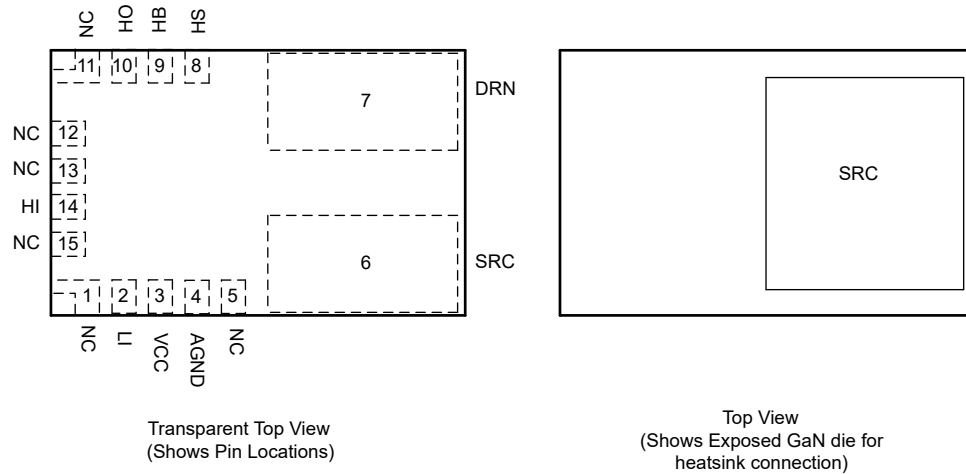
**Simplified Block Diagram**



## Table of Contents

<b>1 Features</b> .....	1	7.4 Device Functional Modes.....	16
<b>2 Applications</b> .....	1	<b>8 Application and Implementation</b> .....	16
<b>3 Description</b> .....	1	8.1 Application Information.....	16
<b>4 Pin Configuration and Functions</b> .....	3	8.2 Typical Application.....	16
<b>5 Specifications</b> .....	4	8.3 Power Supply Recommendations.....	21
5.1 Absolute Maximum Ratings.....	4	8.4 Layout.....	21
5.2 ESD Ratings.....	4	<b>9 Device and Documentation Support</b> .....	24
5.3 Recommended Operating Conditions.....	4	9.1 Documentation Support.....	24
5.4 Thermal Information .....	5	9.2 Receiving Notification of Documentation Updates....	24
5.5 Thermal Information .....	5	9.3 Support Resources.....	24
5.6 Electrical Characteristics.....	5	9.4 Trademarks.....	24
5.7 Typical Characteristics.....	8	9.5 Electrostatic Discharge Caution.....	24
<b>6 Parameter Measurement Information</b> .....	11	9.6 Glossary.....	24
6.1 Propagation Delay and Mismatch Measurement.....	11	<b>10 Revision History</b> .....	24
<b>7 Detailed Description</b> .....	13	<b>11 Mechanical, Packaging, and Orderable Information</b> .....	25
7.1 Overview.....	13	11.1 Package Information.....	25
7.2 Functional Block Diagram.....	13		
7.3 Feature Description.....	14		

## 4 Pin Configuration and Functions



**Figure 4-1. VBE Package, 15-Pin VQFN (Top View)**

**Table 4-1. Pin Functions**

PIN		I/O <sup>(1)</sup>	DESCRIPTION
NAME	NO.		
NC	1, 5, 11–13, 15	—	Not connected internally. Leave floating.
LI	2	I	Low-side gate driver control input.
VCC	3	P	5V device power supply.
AGND	4	G	Analog ground.
SRC	6	P	Source of GaN FET. Internally connected to AGND.
DRN	7	P	Drain of GaN FET.
HS	8	P	Bootstrap voltage ground reference.
HB	9	P	High-side gate driver bootstrap rail with HS as the ground reference.
HO	10	O	Level shifted high-side gate driver control output.
HI	14	I	High-side gate driver control input.

(1) I = Input, O = Output, G = Ground, P = Power

## 5 Specifications

### 5.1 Absolute Maximum Ratings

See<sup>(1)</sup>

	MIN	MAX	UNIT
DRN to SRC		100	V
DRN to SRC (up to 10,000 5ms pulses at 150°C)		120	V
HB to AGND	-0.3	100	V
HS to AGND		93	V
HI to AGND	-0.3	6	V
LI to AGND	-0.3	6	V
HI to AGND, 10ns transients, < 500 khz frequency <sup>(2)</sup>	-1.5	6	V
LI to AGND, 10ns transients < 500 khz frequency <sup>(2)</sup>	-1.5	6	V
VCC to AGND	-0.3	6	V
HB to HS	-0.3	6	V
HB to VCC	0	93	V
IOUT, DRN/SRC pins (Continuous), T <sub>J</sub> = 125°C, LMG3100R017		126	A
IOUT, DRN/SRC pins (Pulsed, 300 μs), T <sub>J</sub> = 25°C, LMG3100R017		350	A
IOUT, DRN/SRC pins (Continuous), T <sub>J</sub> = 125°C, LMG3100R044		46	A
IOUT, DRN/SRC pins (Pulsed, 300 μs), T <sub>J</sub> = 25°C, LMG3100R044		125	A
Junction Temperature, T <sub>J</sub>	-40	175	°C
Storage Temperature, T <sub>stg</sub>	-40	150	°C

- (1) Operation outside the Absolute Maximum Ratings may cause permanent device damage. Absolute Maximum Ratings do not imply functional operation of the device at these or any other conditions beyond those listed under Recommended Operating Conditions. If used outside the Recommended Operating Conditions but within the Absolute Maximum Ratings, the device may not be fully functional, and this may affect device reliability, functionality, performance, and shorten the device lifetime.
- (2) -1.5V is the amplitude of the square wave pulse with duration 10ns

### 5.2 ESD Ratings

		VALUE	UNIT	
V <sub>(ESD)</sub>	Electrostatic Discharge	Human-body model (HBM), per ANSI/ESDA/ JEDEC JS-001 <sup>(1)</sup>	±500	V
		Charged-device model (CDM), per JEDEC specification JESD22-C101 <sup>(2)</sup>	±500	V

- (1) JEDEC document JEP155 states that 500-V HBM allows safe manufacturing with a standard ESD control process.
- (2) JEDEC document JEP157 states that 250-V CDM allows safe manufacturing with a standard ESD control process.

### 5.3 Recommended Operating Conditions

Unless otherwise noted, voltages are with respect to AGND

	MIN	NOM	MAX	UNIT
VCC	4.75	5	5.25	V
LI or HI Input	0		5.5	V
HB	V <sub>HS</sub> + 4		V <sub>HS</sub> + 5.25	V
HS, SW Slew rate <sup>(1)</sup>			50	V/ns

- (1) Determined through design and characterization. Not tested in production.

## 5.4 Thermal Information

THERMAL METRIC <sup>(1)</sup>		LMG3100R017	
		QFN	UNIT
		15 PINS	
R <sub>θJA</sub>	Junction-to-ambient thermal resistance	29.3	°C/W
R <sub>θJC(top)</sub>	Junction-to-case (top) thermal resistance	0.39	
R <sub>θJB</sub>	Junction-to-board thermal resistance	5.4	°C/W
Ψ <sub>JT</sub>	Junction-to-top characterization parameter	0.5	°C/W
Ψ <sub>JB</sub>	Junction-to-board characterization parameter	5.4	°C/W
R <sub>θJC(bot)</sub>	Junction-to-case (bottom) thermal resistance	3.1	°C/W

(1) For more information about traditional and new thermal metrics, see the *IC Package Thermal Metrics* application report, [SPRA953](#).

## 5.5 Thermal Information

THERMAL METRIC <sup>(1)</sup>		LMG3100R044	
		QFN	UNIT
		15 PINS	
R <sub>θJA</sub>	Junction-to-ambient thermal resistance		°C/W
R <sub>θJC(top)</sub>	Junction-to-case (top) thermal resistance		
R <sub>θJB</sub>	Junction-to-board thermal resistance		°C/W
Ψ <sub>JT</sub>	Junction-to-top characterization parameter		°C/W
Ψ <sub>JB</sub>	Junction-to-board characterization parameter		°C/W
R <sub>θJC(bot)</sub>	Junction-to-case (bottom) thermal resistance		°C/W

(1) For more information about traditional and new thermal metrics, see the *IC Package Thermal Metrics* application report, [SPRA953](#).

## 5.6 Electrical Characteristics

Unless otherwise noted, voltages are with respect to AGND; -40°C ≤ T<sub>J</sub> ≤ 125°C<sup>(1)</sup>

PARAMETER		TEST CONDITIONS	MIN	TYP	MAX	UNIT
<b>POWER STAGE R017</b>						
R <sub>DS(ON)</sub>	GaN FET on-resistance	LI=VCC=5V, HI=0V, I(DRN-SRC)=45A, T <sub>J</sub> = 25°C		1.7	2.2	mΩ
V <sub>SD</sub>	GaN 3rd quadrant conduction drop	I <sub>SD</sub> = 500 mA, V <sub>VCC</sub> = 5 V, HI = LI = 0V		1.5		V
I <sub>L-DRN-SRC</sub>	Leakage from DRN to SRC when the GaN FET is off	DRN = 80V, HI = LI = 0V, V <sub>VCC</sub> = 5V, T <sub>J</sub> =25°C		12	200	μA
C <sub>OSS</sub>	Output Capacitance of GaN FET	V <sub>DS</sub> =50V, V <sub>GS</sub> = 0V (HI = LI = 0V)		1035	1423	pF
C <sub>OSS(ER)</sub>	Output Capacitance of GaN FET - Energy Related	V <sub>DS</sub> =0 to 50V, V <sub>GS</sub> = 0V (HI = LI = 0V)		1223		pF
C <sub>OSS(TR)</sub>	Output Capacitance of GaN FET - Time Related	V <sub>DS</sub> =0 to 50V, V <sub>GS</sub> = 0V (HI = LI = 0V)		1547		pF
Q <sub>G</sub>	Total Gate Charge of GaN FET	V <sub>DS</sub> =50V, I <sub>D</sub> = 45A, V <sub>GS</sub> = 5V		20	29	nC
Q <sub>GD</sub>	Gate to Drain Charge of GaN FET	V <sub>DS</sub> =50V, I <sub>D</sub> = 45A		2		nC
Q <sub>GS</sub>	Gate to Source Charge of GaN FET	V <sub>DS</sub> =50V, I <sub>D</sub> = 45A		6.7		nC
Q <sub>OSS</sub>	Output Charge	V <sub>DS</sub> =50V, V <sub>GS</sub> = 0 V		77	104	nC
Q <sub>RR</sub>	Source to Drain Reverse Recovery Charge	Not including internal driver bootstrap diode		0		nC
t <sub>HIPLH</sub>	Propagation delay: HI Rising <sup>(2)</sup>	LI=0V, VCC=5V, HB-HS=5V, VIN=48V	38	70	120	ns
t <sub>HIPHL</sub>	Propagation delay: HI Falling <sup>(2)</sup>	LI=0V, VCC=5V, HB-HS=5V, VIN=48V	38	70	120	ns
t <sub>LILPH</sub>	Propagation delay: LI Rising <sup>(2)</sup>	HI=0V, VCC=5V, HB-HS=5V, VIN=48V	19	40	65	ns
t <sub>LIPHL</sub>	Propagation delay: LI Falling <sup>(2)</sup>	HI=0V, VCC=5V, HB-HS=5V, VIN=48V	19	40	65	ns
t <sub>MON</sub>	Delay Matching: LI high & HI low <sup>(2)</sup>		4	30	55	ns
t <sub>MOFF</sub>	Delay Matching: LI low & HI high <sup>(2)</sup>		4	30	55	ns
t <sub>PW</sub>	Minimum Input Pulse Width that Changes the Output			10		ns

## 5.6 Electrical Characteristics (continued)

Unless otherwise noted, voltages are with respect to AGND;  $-40^{\circ}\text{C} \leq T_J \leq 125^{\circ}\text{C}^{(1)}$

PARAMETER		TEST CONDITIONS	MIN	TYP	MAX	UNIT
<b>POWER STAGE R044</b>						
$R_{DS(ON)}$	GaN FET on-resistance	LI=VCC=5V, HI=0V, I(DRN-SRC)=16A, $T_J = 25^{\circ}\text{C}$		4.4	5.7	m $\Omega$
$V_{SD}$	GaN 3rd quadrant conduction drop	$I_{SD} = 500\text{ mA}$ , $V_{VCC} = 5\text{ V}$ , HI = LI = 0V		1.5		V
$I_{L-DRN-SRC}$	Leakage from DRN to SRC when the GaN FET is off	DRN = 80V, HI = LI = 0V, $V_{VCC} = 5\text{ V}$ , $T_J = 25^{\circ}\text{C}$		4	80	$\mu\text{A}$
$C_{OSS}$	Output Capacitance of GaN FET	$V_{DS}=50\text{V}$ , $V_{GS}=0\text{V}$ (HI = LI = 0V)		364	478	pF
$C_{OSS(ER)}$	Output Capacitance of GaN FET - Energy Related	$V_{DS}=0$ to 50V, $V_{GS}=0\text{V}$ (HI = LI = 0V)		441		pF
$C_{OSS(TR)}$	Output Capacitance of GaN FET - Time Related	$V_{DS}=0$ to 50V, $V_{GS}=0\text{V}$ (HI = LI = 0V)		548		pF
$Q_G$	Total Gate Charge of GaN FET	$V_{DS}=50\text{V}$ , $I_D = 16\text{A}$ , $V_{GS} = 5\text{V}$		7.3	9.3	nC
$Q_{GD}$	Gate to Drain Charge of GaN FET	$V_{DS}=50\text{V}$ , $I_D = 16\text{A}$		0.7		nC
$Q_{GS}$	Gate to Source Charge of GaN FET	$V_{DS}=50\text{V}$ , $I_D = 16\text{A}$		2.8		nC
$Q_{OSS}$	Output Charge	$V_{DS}=50\text{V}$ , $I_D = 16\text{A}$		27	35	nC
$Q_{RR}$	Source to Drain Reverse Recovery Charge	Not including internal driver bootstrap diode		0		nC
$t_{HIPLH}$	Propagation delay: HI Rising <sup>(2)</sup>	LI=0V, VCC=5V, HB-HS=5V, VIN=48V	40	66	100	ns
$t_{HIPLH}$	Propagation delay: HI Falling <sup>(2)</sup>	LI=0V, VCC=5V, HB-HS=5V, VIN=48V	40	66	100	ns
$t_{LPLH}$	Propagation delay: LI Rising <sup>(2)</sup>	HI=0V, VCC=5V, HB-HS=5V, VIN=48V	20	36	55	ns
$t_{LPHL}$	Propagation delay: LI Falling <sup>(2)</sup>	HI=0V, VCC=5V, HB-HS=5V, VIN=48V	20	36	55	ns
$t_{MON}$	Delay Matching: LI high & HI low <sup>(2)</sup>		10	30	50	ns
$t_{MOFF}$	Delay Matching: LI low & HI high <sup>(2)</sup>		10	30	50	ns
$t_{PW}$	Minimum Input Pulse Width that Changes the Output			10		ns
<b>INPUT PINS HI, LI</b>						
$V_{IH}$	High-Level Input Voltage Threshold	Rising Edge	1.87	2.06	2.22	V
$V_{IL}$	Low-Level Input Voltage Threshold	Falling Edge	1.48	1.66	1.76	V
$V_{HYS}$	Hysteresis between rising and falling threshold			350		mV
$R_I$	Input pull down resistance		100	200	300	k $\Omega$
<b>OUTPUT PIN HO</b>						
$V_{OL}$	Low level output voltage	$I_{OL} = 10\text{ mA}$			0.03	V
$V_{OH}$	High level output voltage	$I_{OL} = -10\text{ mA}$	$V_{HB}-0.06$			V
<b>UNDER VOLTAGE PROTECTION</b>						
$V_{CCR}$	VCC Rising edge threshold	Rising	3.2	3.8	4.5	V
$V_{CCF}$	VCC Falling edge threshold		3.0	3.6	4.3	V
$V_{CC(hyst)}$	VCC UVLO threshold hysteresis			210		mV
$V_{HBR}$	HB Rising edge threshold	Rising	2.5	3.2	3.9	V
$V_{HBF}$	HB Falling edge threshold		2.3	3.0	3.7	V
$V_{HB(hyst)}$	HB UVLO threshold hysteresis			220		mV
<b>BOOTSTRAP DIODE</b>						
$V_{DL}$	Low-Current forward voltage	$I_{VDD-HB} = 100\mu\text{A}$		0.45	0.65	V
$V_{DH}$	High current forward voltage	$I_{VDD-HB} = 100\text{mA}$		0.9	1.2	V
$R_D$	Dynamic Resistance	$I_{VDD-HB} = 100\text{mA}$		1.85		$\Omega$
	HB-HS Clamp	Regulation Voltage	4.65	5	5.2	V
$t_{BS}$	Bootstrap diode reverse recovery time	$I_F = 100\text{ mA}$ , $I_R = 100\text{ mA}$		40		ns
$Q_{RR}$	Bootstrap diode reverse recovery charge	$V_{VIN} = 50\text{ V}$		2		nC
<b>SUPPLY CURRENTS</b>						
$I_{CC}$	VCC Quiescent Current	LI = HI = 0V, VCC = 5V		0.08	0.125	mA
$I_{CC}$	VCC Quiescent Current	LI=VCC=5V, HI=0V, LMG3100R017		0.17	5	mA

## 5.6 Electrical Characteristics (continued)

Unless otherwise noted, voltages are with respect to AGND;  $-40^{\circ}\text{C} \leq T_J \leq 125^{\circ}\text{C}$ <sup>(1)</sup>

PARAMETER		TEST CONDITIONS	MIN	TYP	MAX	UNIT
$I_{CC}$	VCC Quiescent Current	LI=VCC=5V, HI=0V, LMG3100R044		0.17	5	mA
$I_{CCO}$	Total VCC Operating Current	f = 500 kHz, 50% Duty cycle, $V_{IN} = 48\text{V}$ , LMG3100R017		10	20	mA
$I_{CCO}$	Total VCC Operating Current	f = 500 kHz, 50% Duty cycle, $V_{IN} = 48\text{V}$ , LMG3100R044		5	10	mA
$I_{HB}$	HB Quiescent Current	LI = HI = 0V, VCC = 5V, HB-HS = 4.6V		0.1	0.150	mA
$I_{HB}$	HB Quiescent Current	LI=0V, HI=VCC=5V, HB-HS=4.6V, $V_{IN}=48\text{V}$ , LMG3100R017		0.16	0.25	mA
$I_{HB}$	HB Quiescent Current	LI=0V, HI=VCC=5V, HB-HS=4.6V, $V_{IN}=48\text{V}$ , LMG3100R044		0.16	0.25	mA
$I_{HBO}$	HB Operating Current	f = 500 kHz, 50% Duty cycle, $V_{DD} = 5\text{V}$ , $V_{IN} = 48\text{V}$ , for low side device in half-bridge configuration, LMG3100R017, HB-HS = 4.6V (supplied externally)		1.5	2.5	mA
$I_{HBO}$	HB Operating Current	f = 500 kHz, 50% Duty cycle, $V_{DD} = 5\text{V}$ , $V_{IN} = 48\text{V}$ , for low side device in half-bridge configuration, HB-HS = 4.6V (supplied externally) LMG3100R044		1.5	2.5	mA

- (1) Parameters that show only a typical value are determined by design and may not be tested in production  
(2) See *Propagation Delay and Mismatch Measurement* section

## 5.7 Typical Characteristics

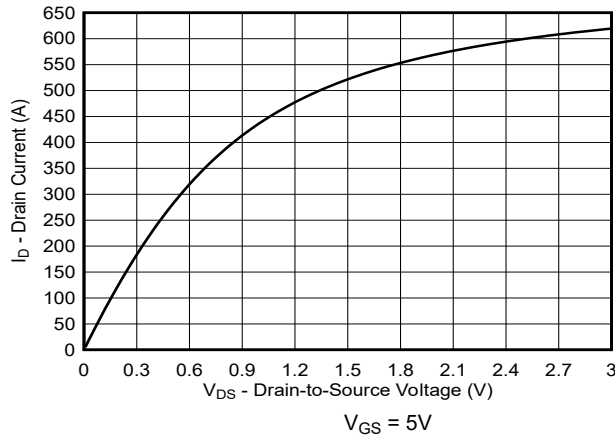


Figure 5-1. LMG3100R017 Typical Output Characteristics

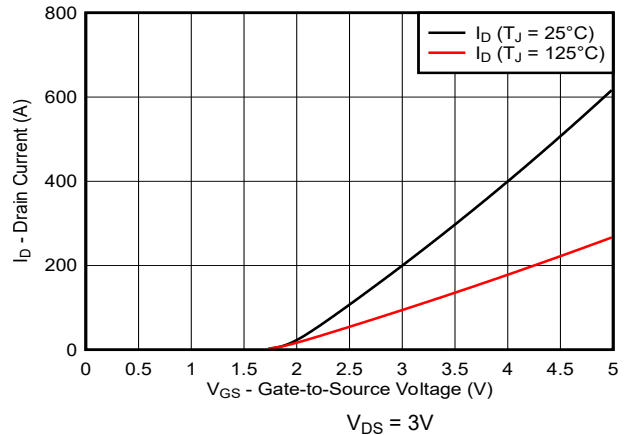


Figure 5-2. LMG3100R017 Typical Transfer Characteristics

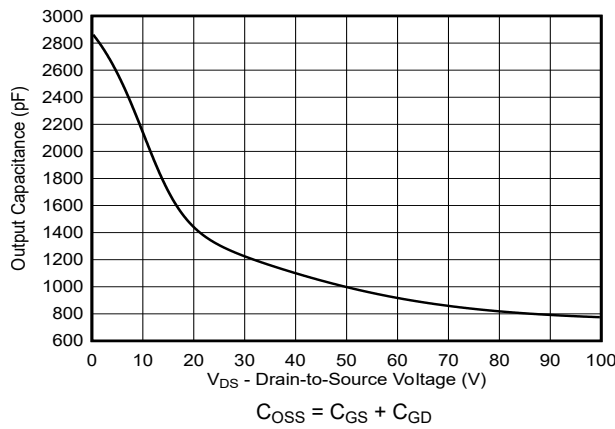


Figure 5-3. LMG3100R017 Typical Capacitance (Linear Scale)

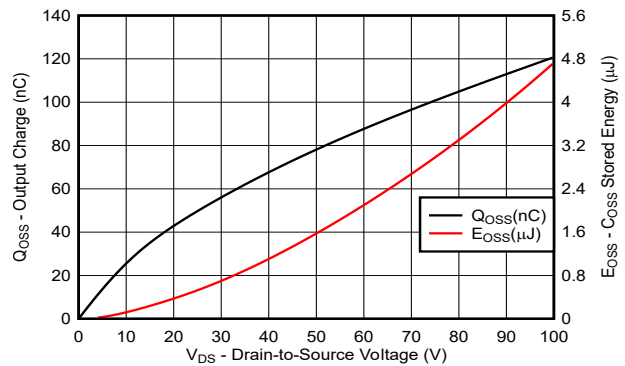


Figure 5-4. LMG3100R017 Typical Output Charge and  $C_{OSS}$  Stored Energy

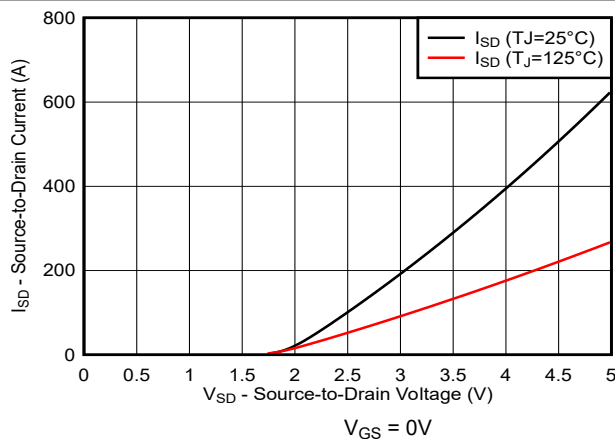


Figure 5-5. LMG3100R017 Reverse Drain-Source Characteristics

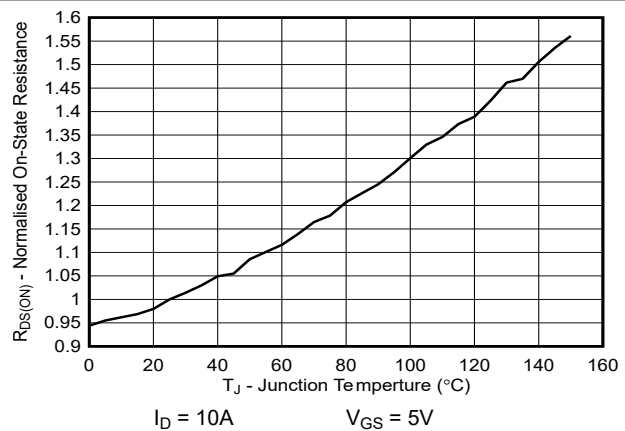
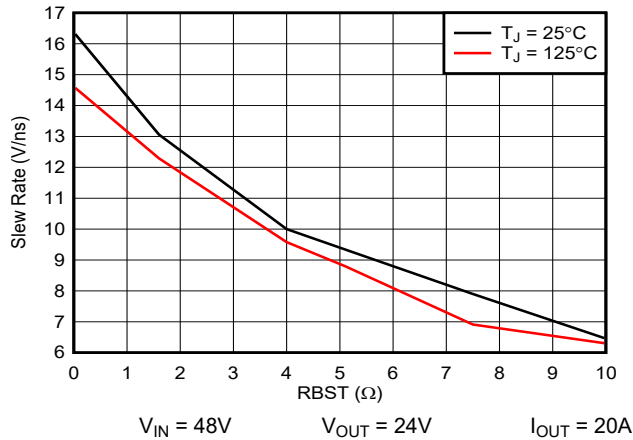
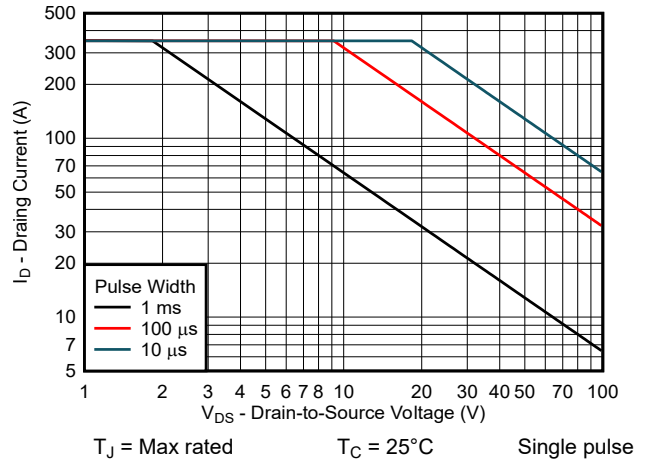


Figure 5-6. LMG3100R017 Normalized On-State Resistance vs Junction Temperature

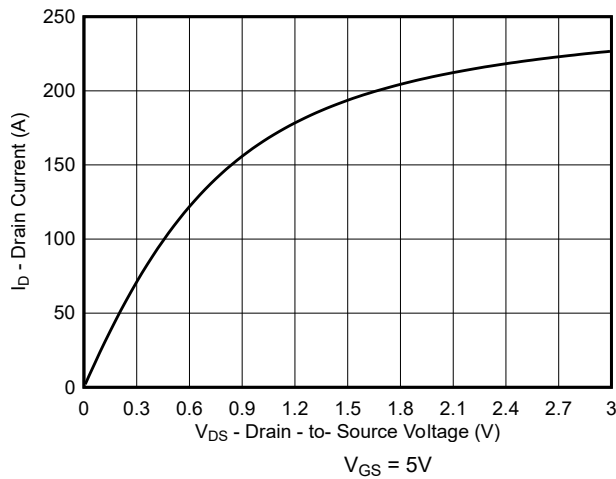
**5.7 Typical Characteristics (continued)**



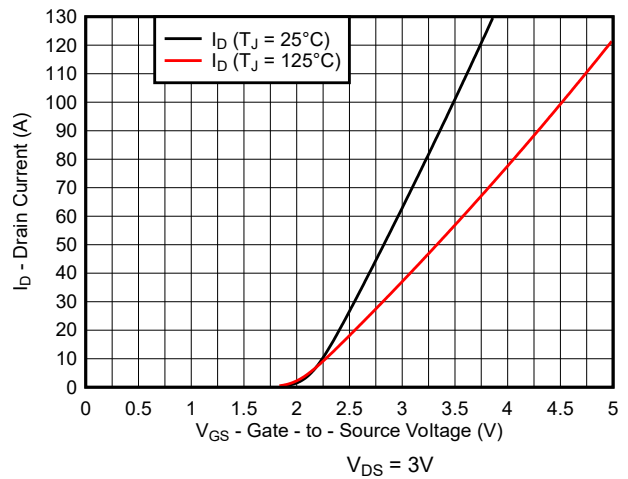
**Figure 5-7. LMG3100R017 Slew Rate Control for a Buck Converter Using  $R_{BST}$**



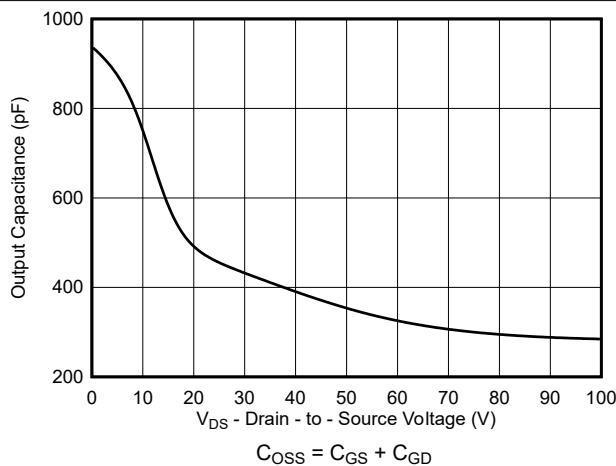
**Figure 5-8. LMG3100R017 Safe Operating Area**



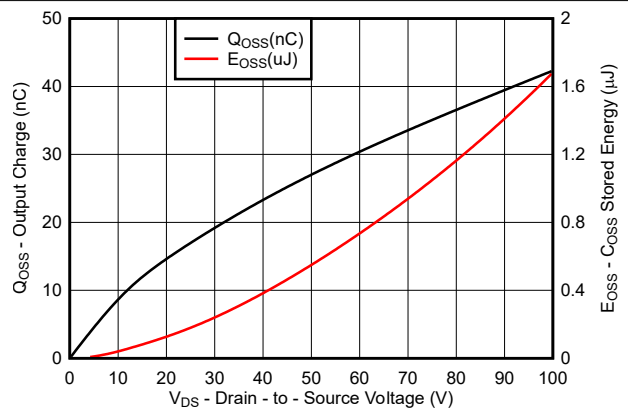
**Figure 5-9. LMG3100R044 Typical Output Characteristics**



**Figure 5-10. LMG3100R044 Typical Transfer Characteristics**

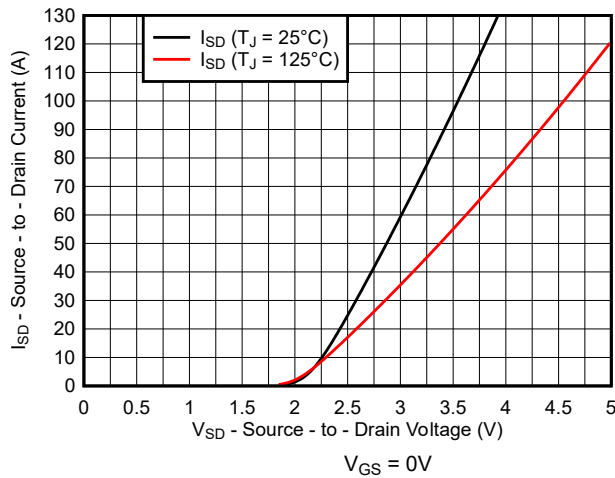


**Figure 5-11. LMG3100R044 Typical Capacitance (Linear Scale)**

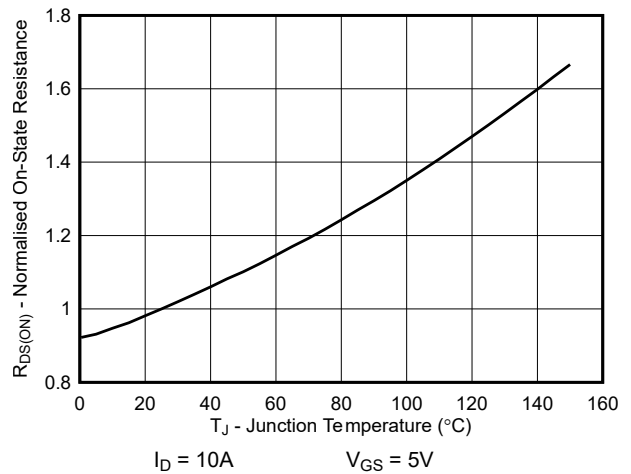


**Figure 5-12. LMG3100R044 Typical Output Charge and  $C_{OSS}$  Stored Energy**

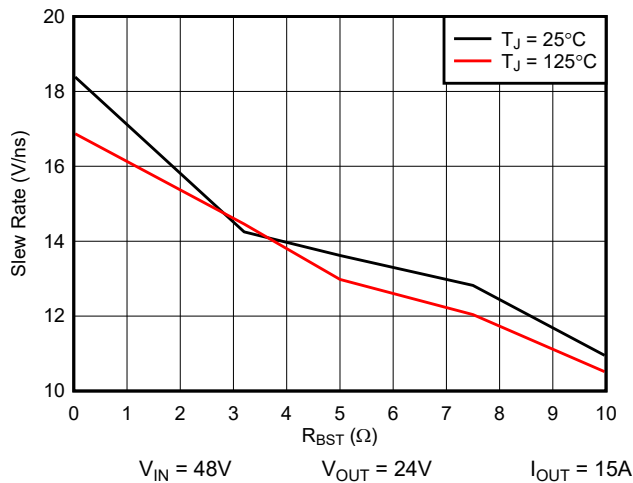
### 5.7 Typical Characteristics (continued)



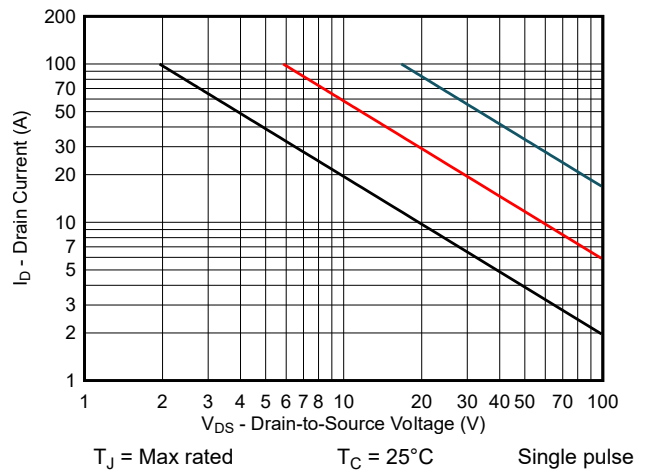
**Figure 5-13. LMG3100R044 Reverse Drain-Source Characteristics**



**Figure 5-14. LMG3100R044 Normalized On-State Resistance vs Junction Temperature**



**Figure 5-15. LMG3100R044 Slew Rate Control for a Buck Converter Using R<sub>BST</sub>**



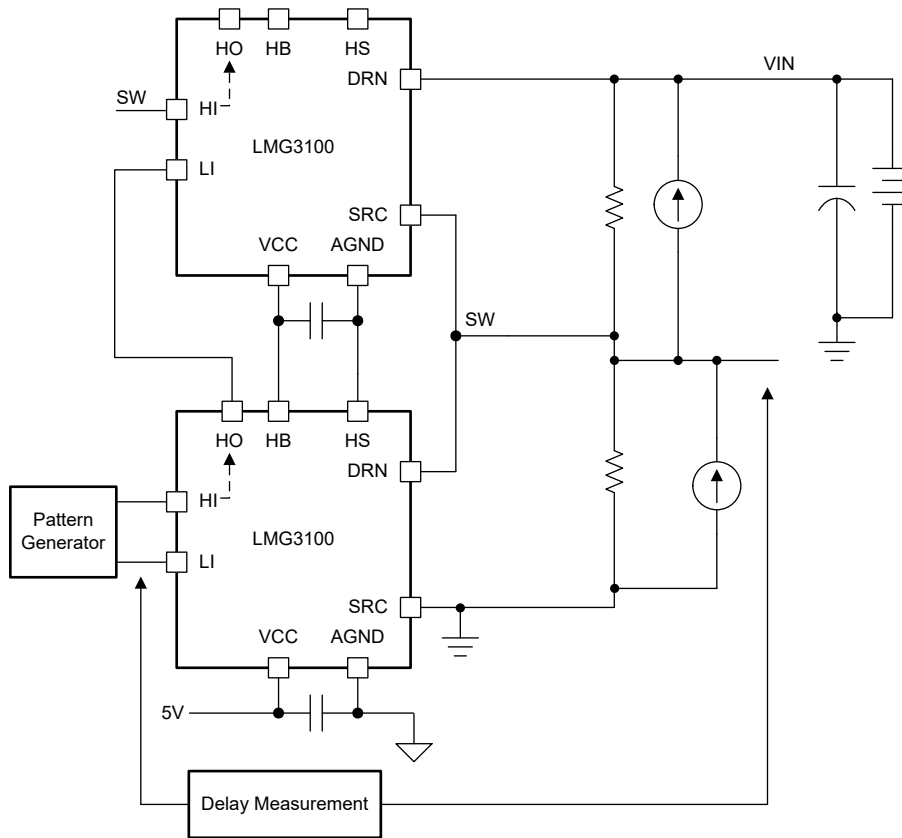
**Figure 5-16. LMG3100R044 Safe Operating Area**

## 6 Parameter Measurement Information

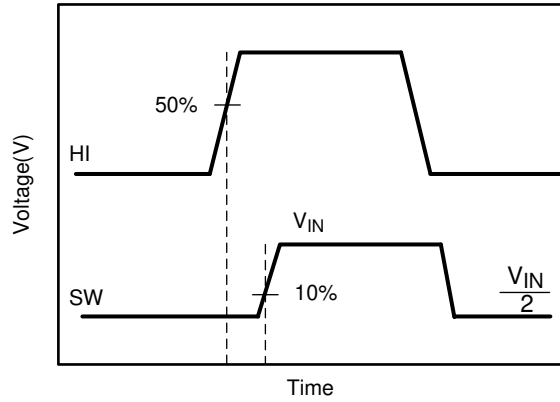
### 6.1 Propagation Delay and Mismatch Measurement

Figure 6-1 shows the typical test setup used to measure the propagation mismatch. As the gate drives are not accessible, pullup and pulldown resistors in this test circuit are used to indicate when the low-side GaN FET turns ON and the high-side GaN FET turns OFF and vice versa to measure the  $t_{MON}$  and  $t_{MOFF}$  parameters. Resistance values used in this circuit for the pullup and pulldown resistors are in the order of  $1k\Omega$ ; the current sources used are 2A.

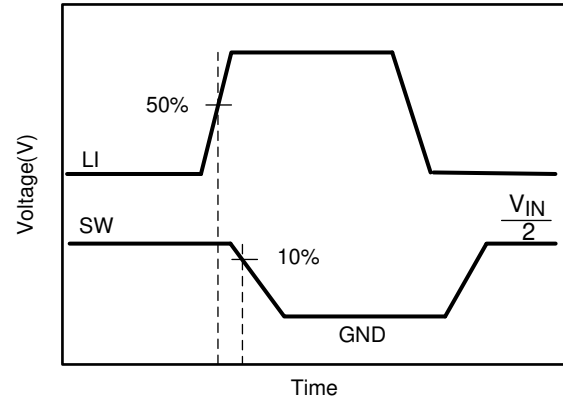
Figure 6-2 through Figure 6-5 show propagation delay measurement waveforms. For turnon propagation delay measurements, the current sources are not used. For turnoff time measurements, the current sources are set to 2A, and a voltage clamp limit is also set, referred to as  $V_{IN(CLAMP)}$ . When measuring the high-side component turnoff delay, the current source across the high-side FET is turned on, the current source across the low-side FET is off, HI transitions from high-to-low, and output voltage transitions from  $V_{IN}$  to  $V_{IN(CLAMP)}$ . Similarly, for low-side component turnoff propagation delay measurements, the high-side component current source is turned off, and the low-side component current source is turned on, LI transitions from high to low and the output change is the propagation delay time.



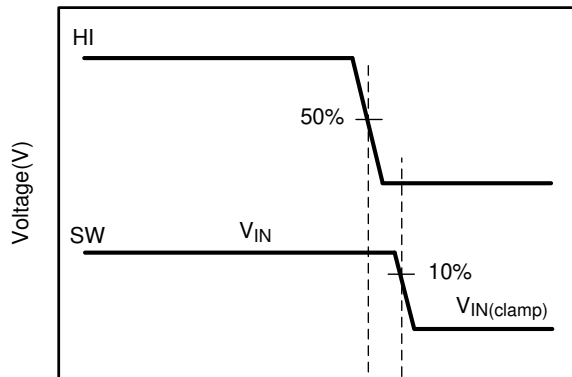
**Figure 6-1. Propagation Delay and Propagation Mismatch Measurement**



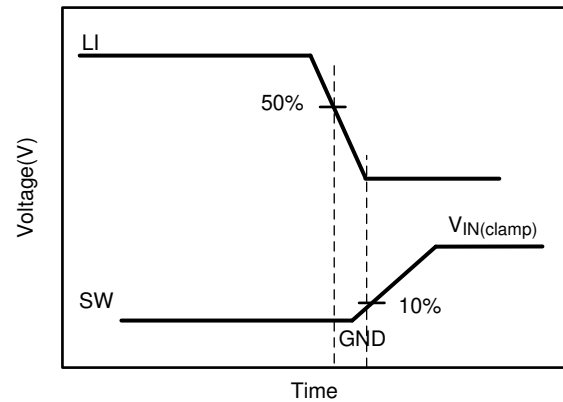
**Figure 6-2. High-Side Gate Driver Turnon**



**Figure 6-3. Low-Side Gate Driver Turnon**



**Figure 6-4. High-Side Gate Driver Turnoff**



**Figure 6-5. Low-Side Gate Driver Turnoff**

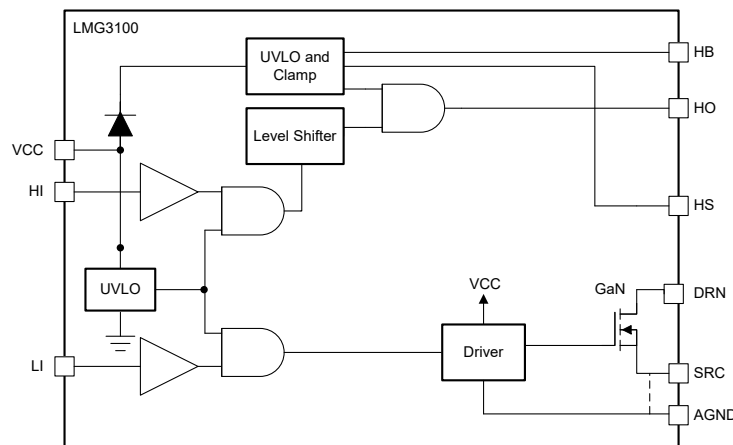
## 7 Detailed Description

### 7.1 Overview

Section 7.2 shows the LMG3100 GaN FET with gate driver, high-side level shift and bootstrap circuit, which includes built-in UVLO protection circuitry and an overvoltage clamp circuitry. The clamp circuitry limits the bootstrap refresh operation to ensure that the high-side gate driver overdrive does not exceed 5.4V. The device integrates a 1.7mΩ GaN FET for LMG3100R017 and a 4.4mΩ GaN FET for LMG3100R044, with the possibility of using two LMG3100 to form a half-bridge without external level shifter. The device can be used in many isolated and non-isolated topologies allowing very simple integration. The drive strengths for turnon and turnoff are optimized to ensure high voltage slew rates without causing any excessive ringing on the gate or power loop.

### 7.2 Functional Block Diagram

The functional block diagram of the LMG3100 device with integrated GaN FET and driver, high-side level shift, and bootstrap circuit.



## 7.3 Feature Description

The LMG3100 device brings ease of designing high power density boards without the need for underfill while maintaining creepage and clearance requirements. Co-packaging the GaN FET with the driver ensures minimized common source inductance. This minimized inductance has a significant performance impact on hard-switched topologies.

The built-in bootstrap circuit with clamp prevents the high-side gate drive from exceeding the GaN FETs maximum gate-to-source voltage ( $V_{gs}$ ) without any additional external circuitry. The built-in driver has an undervoltage lockout (UVLO) on the VCC and bootstrap (HB-HS) rails. When the VCC voltage is below the UVLO threshold voltage, the device ignores both the HI and LI signals to prevent the GaN FETs from being partially turned on. Below UVLO, if there is sufficient voltage ( $V_{VCC} > 2.5\text{ V}$ ), the driver actively pulls the high-side and low-side gate driver output low. The UVLO threshold hysteresis of 200 mV prevents chattering and unwanted turnon due to voltage spikes. Use an external VCC bypass capacitor with a value of 1  $\mu\text{F}$  or higher. TI recommends a size of 0402 to minimize trace length to the pin. Place the bypass and bootstrap capacitors as close as possible to the device to minimize parasitic inductance.

### 7.3.1 Control Inputs

The LMG3100's inputs pins are independently controlled with TTL input thresholds and can support 3.3-V and 5-V logic levels regardless of the VCC voltage.

In order to allow flexibility to optimize deadtime according to design needs, the LMG3100 does not implement an overlap protection functionality. If both HI and LI are asserted, both the high-side and low-side GaN FETs are turned on. Careful consideration must be applied to the control inputs in order to avoid a shoot-through condition.

### 7.3.2 Start-up and UVLO

The LMG3100 has an UVLO on both the VCC and HB (bootstrap) supplies. When the VCC voltage is below the threshold voltage of 3.8 V, both the HI and LI inputs are ignored, to prevent the GaN FETs from being partially turned on. Also, if there is insufficient VCC voltage, the UVLO actively pulls the high- and low-side GaN FET gates low. When the HB to HS bootstrap voltage is below the UVLO threshold of 3.2 V, only the high-side GaN FET gate is pulled low. Both UVLO threshold voltages have 200 mV of hysteresis to avoid chattering.

**Table 7-1. VCC UVLO Feature Logic Operation**

CONDITION ( $V_{HB-HS} > V_{HBR}$ for all cases below)	HI	LI	SW
$V_{CC} - V_{SS} < V_{CCR}$ during device start-up	H	L	Hi-Z
$V_{CC} - V_{SS} < V_{CCR}$ during device start-up	L	H	Hi-Z
$V_{CC} - V_{SS} < V_{CCR}$ during device start-up	H	H	Hi-Z
$V_{CC} - V_{SS} < V_{CCR}$ during device start-up	L	L	Hi-Z
$V_{CC} - V_{SS} < V_{CCR} - V_{CC(hyst)}$ after device start-up	H	L	Hi-Z
$V_{CC} - V_{SS} < V_{CCR} - V_{CC(hyst)}$ after device start-up	L	H	Hi-Z
$V_{CC} - V_{SS} < V_{CCR} - V_{CC(hyst)}$ after device start-up	H	H	Hi-Z
$V_{CC} - V_{SS} < V_{CCR} - V_{CC(hyst)}$ after device start-up	L	L	Hi-Z

**Table 7-2. VHB-HS UVLO Feature Logic Operation**

CONDITION ( $V_{CC} > V_{CCR}$ for all cases below)	HI	LI	SW
$V_{HB-HS} < V_{HBR}$ during device start-up	H	L	Hi-Z
$V_{HB-HS} < V_{HBR}$ during device start-up	L	H	PGND
$V_{HB-HS} < V_{HBR}$ during device start-up	H	H	PGND
$V_{HB-HS} < V_{HBR}$ during device start-up	L	L	Hi-Z
$V_{HB-HS} < V_{HBR} - V_{HB(hyst)}$ after device start-up	H	L	Hi-Z
$V_{HB-HS} < V_{HBR} - V_{HB(hyst)}$ after device start-up	L	H	PGND
$V_{HB-HS} < V_{HBR} - V_{HB(hyst)}$ after device start-up	H	H	PGND
$V_{HB-HS} < V_{HBR} - V_{HB(hyst)}$ after device start-up	L	L	Hi-Z

### **7.3.3 Bootstrap Supply Voltage Clamping**

The high-side bias voltage is generated using a bootstrap technique and is internally clamped at 5 V (typical). This clamp prevents the gate voltage from exceeding the maximum gate-source voltage rating of the enhancement-mode GaN FETs.

### **7.3.4 Level Shift**

The level-shift circuit is the interface from the high-side input HI to the high-side driver stage, which is referenced to the switch node (HS). The level shift allows control of the high-side GaN FET gate driver output, which is referenced to the HS pin.

## 7.4 Device Functional Modes

The LMG3100 operates in normal mode and UVLO mode. See [Section 7.3.2](#) for information on UVLO operation mode. In the normal mode, the output state is dependent on the states of the HI and LI pins. [Table 7-3](#) lists the output states for different input pin combinations. Note that when both HI and LI are asserted, both GaN FETs in the power stage are turned on. Careful consideration must be applied to the control inputs in order to avoid this state, as it will result in a shoot-through condition, which can permanently damage the device.

**Table 7-3. Truth Table**

HI	LI	HIGH-SIDE GaN FET	LOW-SIDE GaN FET	SW
L	L	OFF	OFF	Hi-Z
L	H	OFF	ON	PGND
H	L	ON	OFF	VIN
H	H	ON	ON	---

## 8 Application and Implementation

### Note

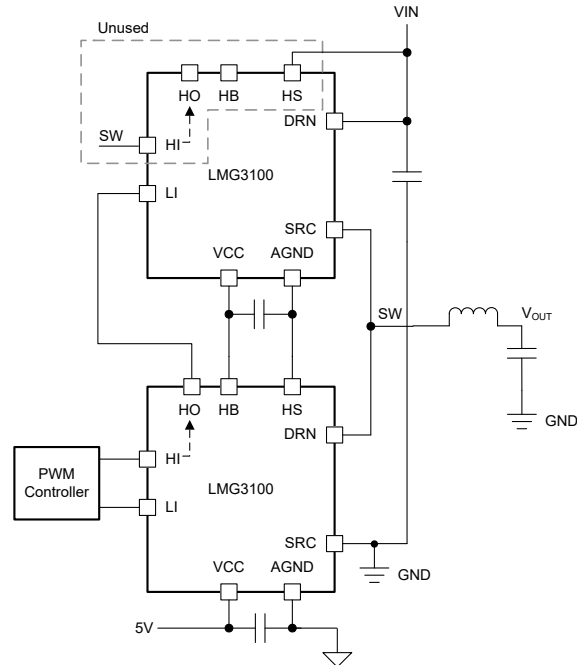
Information in the following applications sections is not part of the TI component specification, and TI does not warrant its accuracy or completeness. TI's customers are responsible for determining suitability of components for their purposes. Customers should validate and test their design implementation to confirm system functionality.

### 8.1 Application Information

The LMG3100 GaN power stage is a versatile building block for various types of high-frequency, switch-mode power applications. The high-performance gate driver IC integrated in the package helps minimize the parasitics and results in extremely fast switching of the GaN FETs. The device design is highly optimized for synchronous buck converters and other half-bridge configurations.

### 8.2 Typical Application

[Figure 8-1](#) shows a synchronous buck converter application using a digital PWM controller. The control signal for the high-side LMG3100 provided by the digital controller is level shifted through the low-side LMG3100, to complete the half-bridge without using an additional level shifter. It is critical to optimize the power loop (loop impedance from VIN capacitor to PGND). Having a high power loop inductance causes significant ringing in the SW node and also causes the associated power loss.



**Figure 8-1. Typical Connection Diagram For a Synchronous Buck Converter**

### 8.2.1 Design Requirements

When designing a synchronous buck converter application that incorporates the LMG3100 power stage, some design considerations must be evaluated first to make the most appropriate selection. Among these considerations are the input voltages, passive components, operating frequency, and controller selection. [Table 8-1](#) shows some sample values for a typical application. See [Section 8.3](#), [Section 8.4](#), and [Section 8.2.2.5](#) for other key design considerations for the LMG3100.

**Table 8-1. Design Parameters**

PARAMETER	SAMPLE VALUE
Half-bridge input supply voltage, $V_{IN}$	48 V
Output voltage, $V_{OUT}$	12 V
Output current	8 A
$V_{HB-HS}$ bootstrap capacitor	0.3 $\mu$ F, X7R
Switching frequency	1 MHz
Inductor	4.7 $\mu$ H
Controller	LM5148

### 8.2.2 Detailed Design Procedure

This procedure outlines the design considerations of LMG3100 in a synchronous buck converter. For additional design help, see [Section 9.1.1](#).

#### 8.2.2.1 $V_{CC}$ Bypass Capacitor

The  $V_{CC}$  bypass capacitor provides the gate charge for the low-side and high-side transistors and absorbs the reverse recovery charge of the bootstrap diode. The required bypass capacitance can be calculated with [Equation 1](#).

$$C_{VCC} = (2 \times Q_G + Q_{RR}) / \Delta V \quad (1)$$

$Q_G$  is the individual and equal gate charge of the high-side and low-side GaN FETs.  $Q_{RR}$  is the reverse recovery charge of the bootstrap diode.  $\Delta V$  is the maximum allowable voltage drop across the bypass capacitor. A 1- $\mu$ F or larger value, good-quality, ceramic capacitor is recommended. Place the bypass capacitor as close as possible to the  $V_{CC}$  and AGND pins of the device to minimize the parasitic inductance.

### 8.2.2.2 Bootstrap Capacitor

The bootstrap capacitor provides the gate charge for the high-side gate drive, dc bias power for HB UVLO circuit, and the reverse recovery charge of the bootstrap diode. The required bypass capacitance can be calculated using Equation 2.

$$C_{BST} = (Q_G + Q_{RR} + I_{CC} * t_{ON(max)}) / \Delta V \quad (2)$$

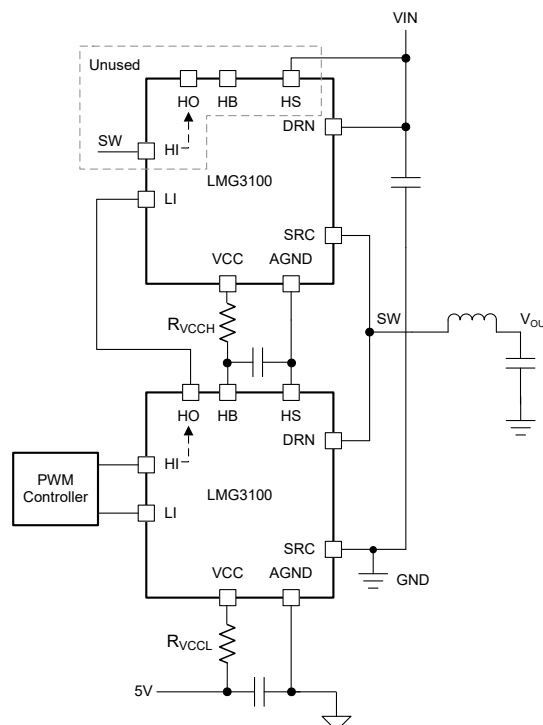
where

- $I_{CC}$  is the quiescent current of the high side device
- $t_{ON(max)}$  is the maximum on-time period of the high-side gate driver
- $Q_{RR}$  is the reverse recovery charge of the bootstrap diode
- $Q_G$  is the gate charge of the high-side GaN FET
- $\Delta V$  is the permissible ripple in the bootstrap capacitor (< 100 mV, typical)

A 0.3- $\mu$ F, 16-V, 0402 ceramic capacitor is suitable for most applications. Place the bootstrap capacitor as close as possible to the HB and HS pins.

### 8.2.2.3 Slew Rate Control

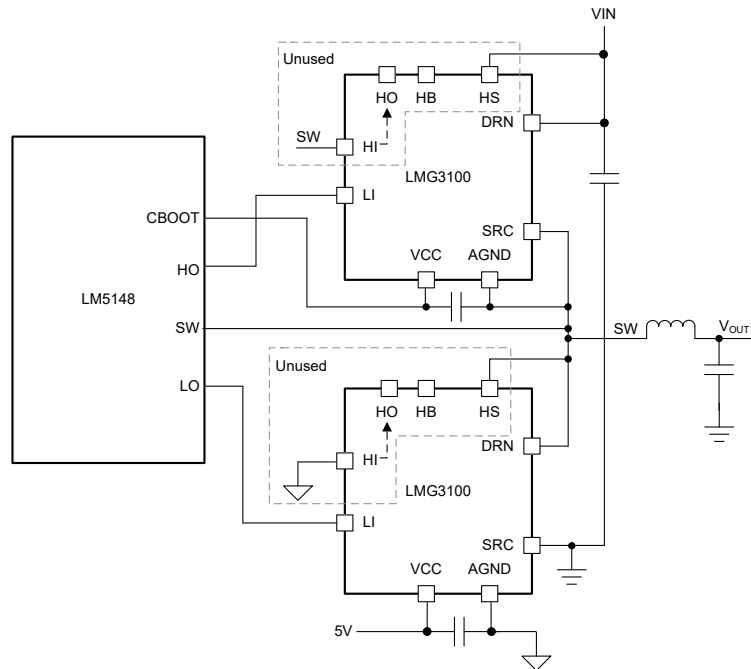
Figure 8-2 shows a switching application where the slew rate on the switch node may be controlled by using resistors  $R_{VCCCL}$  and  $R_{VCCCH}$ .  $R_{VCCCL}$  may be used to slow down the turn-on of the Low Side GaN FET, and  $R_{VCCCH}$  may be used to slow down the turn-on of the High Side GaN FET. Using these resistors allows the system engineer to optimize the tradeoff between higher efficiency (faster slew rates) and lower ringing (slower slew rates).



**Figure 8-2. Slew Rate Control with  $R_{VCCCL}$  and  $R_{VCCCH}$  Resistors**

### 8.2.2.4 Use With Analog Controllers

Figure 8-3 shows a synchronous buck converter application using an analog controller that provides level-shifted high-side control with the switch node as reference. The analog controller also generates the bootstrap voltage. In this use case, the level-shifted high-side control output, HO, from the controller may be directly connected to the input pin, LI, of the high-side LMG3100. The in-built level shifter and boot-strap circuits of the low-side LMG3100 are left unused.



**Figure 8-3. Use With Analog Controllers That Have In-built Level-shifting**

### 8.2.2.5 Power Dissipation

Ensure that the power loss in the driver and the GaN FETs is maintained below the maximum power dissipation limit of the package at the operating temperature. The smaller the power loss in the driver and the GaN FETs, the higher the maximum operating frequency that can be achieved in the application. The total power dissipation of the LMG3100 device is the sum of the gate driver losses, the bootstrap diode power loss and the switching and conduction losses in the FETs.

The gate driver losses are incurred by charge and discharge of the capacitive load. It can be approximated using [Equation 3](#).

$$P = 2 \times Q_G \times V_{CC} \times f_{SW} \quad (3)$$

where

- $Q_G$  is the gate charge
- $V_{CC}$  is the bias supply
- $f_{SW}$  is the switching frequency

There are some additional losses in the gate drivers due to the internal CMOS stages used to buffer the outputs.

The bootstrap diode power loss is the sum of the forward bias power loss that occurs while charging the bootstrap capacitor and the reverse bias power loss that occurs during reverse recovery. Because each of these events happens once per cycle, the diode power loss is proportional to the operating frequency. Higher input voltages ( $V_{IN}$ ) to the half bridge also result in higher reverse recovery losses.

The power losses due to the GaN FETs can be divided into conduction losses and switching losses. Conduction losses are resistive losses and can be calculated using [Equation 4](#).

$$P_{COND} = \left[ (I_{RMS(HS)})^2 \times R_{DS(on)HS} \right] + \left[ (I_{RMS(LS)})^2 \times R_{DS(on)LS} \right] \quad (4)$$

where

- $R_{DS(on)HS}$  is the high-side GaN FET on-resistance
- $R_{DS(on)LS}$  is the low-side GaN FET on-resistance
- $I_{RMS(HS)}$  is the high-side GaN FET RMS current
- $I_{RMS(LS)}$  and low-side GaN FET RMS current

The switching losses can be computed to a first order using  $t_{TR}$  can be approximated by dividing  $V_{IN}$  by 25V/ns, which is a conservative estimate of the switched node slew rate. [Equation 5](#).

$$P_{SW} = V_{IN} \times I_{OUT} \times t_{TR} \times f_{SW} + V_{IN} \times V_{IN} \times C_{OSS(ER)} \times f_{SW} \quad (5)$$

where

- $t_{TR}$  is sum of the switch node transition times from ON to OFF and from OFF to ON
- $C_{OSS(ER)}$  is the output capacitance of each GaN FET

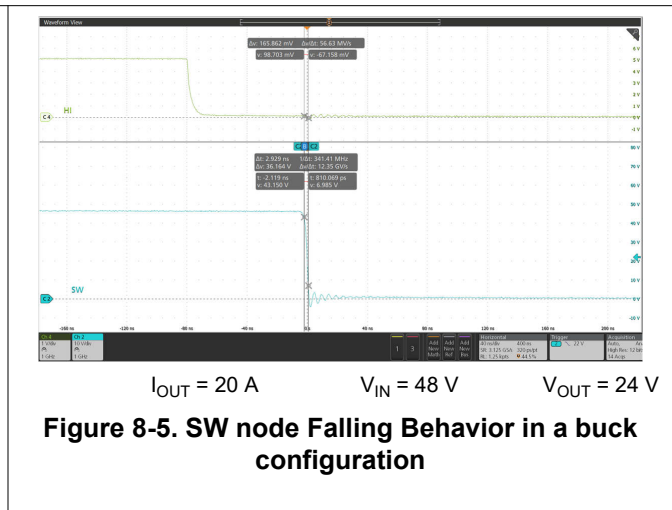
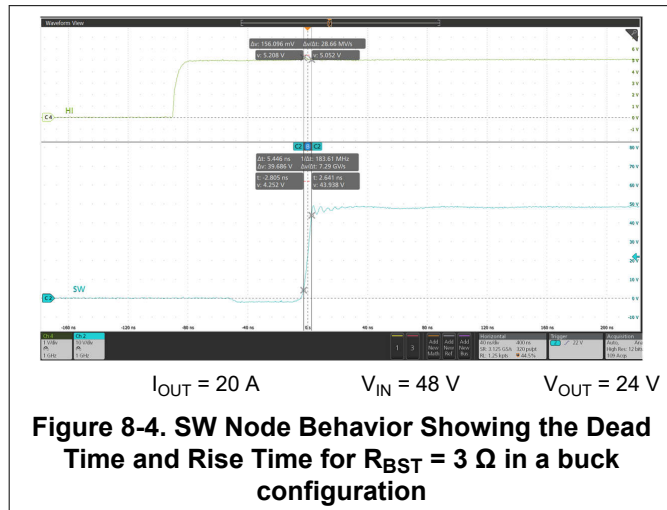
Note that the low-side FET does not suffer from this loss. The third quadrant loss in the low-side device is ignored in this first order loss calculation.

As described previously, switching frequency has a direct effect on device power dissipation. Although the gate driver of the LMG3100 device is capable of driving the GaN FETs at frequencies up to 10MHz, careful consideration must be applied to ensure that the running conditions for the device meet the recommended operating temperature specification. Specifically, hard-switched topologies tend to generate more losses and self-heating than soft-switched applications.

The sum of the driver loss, the bootstrap diode loss, and the switching and conduction losses in the GaN FETs is the total power loss of the device. Careful board layout with an adequate amount of thermal vias close to the

power pads (VIN and PGND) allows optimum power dissipation from the package. A top-side mounted heat sink with airflow can also improve the package power dissipation.

### 8.2.3 Application Curves



## 8.3 Power Supply Recommendations

The recommended bias supply voltage range for LMG3100 is from 4.75 V to 5.25 V. The lower end of this range is governed by the internal undervoltage lockout (UVLO) protection feature of the  $V_{CC}$  supply circuit. The upper end of this range is driven by the 6 V absolute maximum voltage rating of  $V_{CC}$ . Note that the gate voltage of the low-side GaN FET is not clamped internally. Hence, it is important to keep the  $V_{CC}$  bias supply within the recommended operating range to prevent exceeding the low-side GaN transistor gate breakdown voltage.

The UVLO protection feature also involves a hysteresis function. This means that once the device is operating in normal mode, if the  $V_{CC}$  voltage drops, the device continues to operate in normal mode as far as the voltage drop does not exceeds the hysteresis specification,  $V_{CC}(hyst)$ . If the voltage drop is more than hysteresis specification, the device shuts down. Therefore, while operating at or near the 4.5 V range, the voltage ripple on the auxiliary power supply output must be smaller than the hysteresis specification of LMG3100 to avoid triggering device-shutdown.

Place a local bypass capacitor between the VCC and AGND pins. This capacitor must be located as close as possible to the device. A low ESR, ceramic surface-mount capacitor is recommended. TI recommends using 2 capacitors across VCC and GND: a 100 nF ceramic surface-mount capacitor for high frequency filtering placed very close to VCC and GND pin, and another surface-mount capacitor, 220 nF to 10  $\mu$ F, for IC bias requirements.

## 8.4 Layout

### 8.4.1 Layout Guidelines

To maximize the efficiency benefits of fast switching, it is extremely important to optimize the board layout such that the power loop impedance is minimal. When using a multilayer board (more than 2 layers), power loop parasitic impedance is minimized by having the return path to the input capacitor (between VIN and PGND), small and directly underneath the first layer as shown in [Figure 8-6](#) and [Figure 8-7](#). Loop inductance is reduced due to flux cancellation as the return current is directly underneath and flowing in the opposite direction.

Insufficient attention to the above power loop layout guidelines can result in excessive overshoot and undershoot on the switch node.

It is also critical that the VCC capacitors and the bootstrap capacitors are as close as possible to the device and in the first layer. Carefully consider the AGND connection of LMG3100 device. It must NOT be directly connected

to PGND so that PGND noise does not directly shift AGND and cause spurious switching events due to noise injected in HI and LI signals.

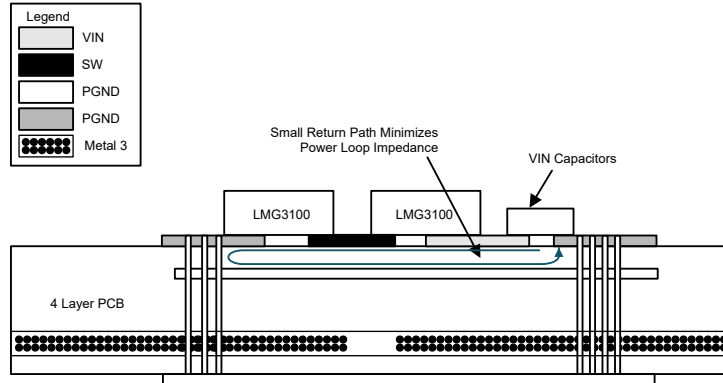
### 8.4.2 Layout Examples

Placements shown in [Figure 8-6](#) and in the cross section of [Figure 8-7](#) show the suggested placement of the device with respect to sensitive passive components, such as VIN, bootstrap capacitors (HS and HB) and VCC capacitors. Use appropriate spacing in the layout to reduce creepage and maintain clearance requirements in accordance with the application pollution level. Inner layers if present can be more closely spaced due to negligible pollution.

The layout must be designed to minimize the capacitance at the SW node. Use as small an area of copper as possible to connect the device SW pin to the inductor, or transformer, or other output load. Furthermore, ensure that the ground plane or any other copper plane has a cutout so that there is no overlap with the SW node, as this would effectively form a capacitor on the printed circuit board. Additional capacitance on this node reduces the advantages of the advanced packaging approach of the LMG3100 and may result in reduced performance.



**Figure 8-6. External Component Placement (Multi Layer Board)**



**Figure 8-7. Four-Layer Board Cross Section With Return Path Directly Underneath for Power Loop**

## 9 Device and Documentation Support

### 9.1 Documentation Support

#### 9.1.1 Related Documentation

[Layout Guidelines for LMG3100 GaN Power Stage Module](#)

[Using the LMG3100: GaN Half-Bridge Power Module Evaluation Module](#)

### 9.2 Receiving Notification of Documentation Updates

To receive notification of documentation updates, navigate to the device product folder on [ti.com](https://www.ti.com). Click on *Notifications* to register and receive a weekly digest of any product information that has changed. For change details, review the revision history included in any revised document.

### 9.3 Support Resources

TI E2E™ [support forums](#) are an engineer's go-to source for fast, verified answers and design help — straight from the experts. Search existing answers or ask your own question to get the quick design help you need.

Linked content is provided "AS IS" by the respective contributors. They do not constitute TI specifications and do not necessarily reflect TI's views; see TI's [Terms of Use](#).

### 9.4 Trademarks

TI E2E™ is a trademark of Texas Instruments.  
All trademarks are the property of their respective owners.

### 9.5 Electrostatic Discharge Caution



This integrated circuit can be damaged by ESD. Texas Instruments recommends that all integrated circuits be handled with appropriate precautions. Failure to observe proper handling and installation procedures can cause damage.

ESD damage can range from subtle performance degradation to complete device failure. Precision integrated circuits may be more susceptible to damage because very small parametric changes could cause the device not to meet its published specifications.

### 9.6 Glossary

[TI Glossary](#) This glossary lists and explains terms, acronyms, and definitions.

## 10 Revision History

NOTE: Page numbers for previous revisions may differ from page numbers in the current version.

### Changes from Revision B (November 2024) to Revision C (March 2025) Page

- Added note on HI LI pins for transient condition in the *Absolute Maximum Ratings* section..... [4](#)
- Added package diagram for LMG3100R044..... [25](#)

### Changes from Revision A (July 2024) to Revision B (November 2024) Page

- Changed part number typographical error in [Figure 8-6](#) ..... [22](#)

## 11 Mechanical, Packaging, and Orderable Information

The following pages include mechanical, packaging, and orderable information. This information is the most current data available for the designated devices. This data is subject to change without notice and revision of this document. For browser-based versions of this data sheet, refer to the left-hand navigation.

### 11.1 Package Information

The LMG3100 device package is rated as an MSL3 package (Moisture Sensitivity Level 3). Refer to application report [AN-2029 Handling and Process Recommendations](#) for specific handling and process recommendations of an MSL3 package.

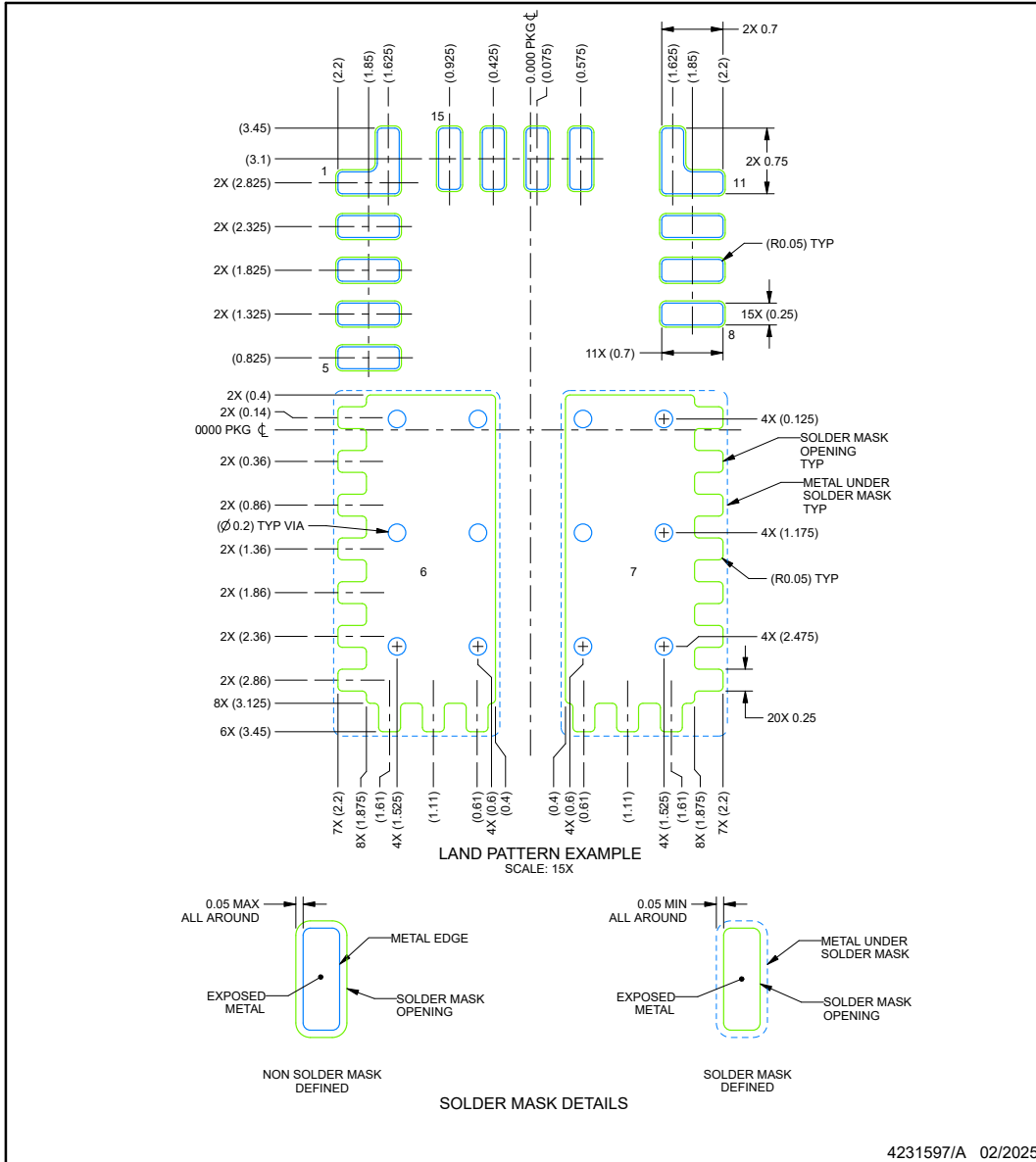


**EXAMPLE BOARD LAYOUT**

**VBE0015A-C01**

**VQFN-FCRLF - 0.85 mm max height**

PLASTIC QUAD FLATPACK - NO LEAD



NOTES: (continued)

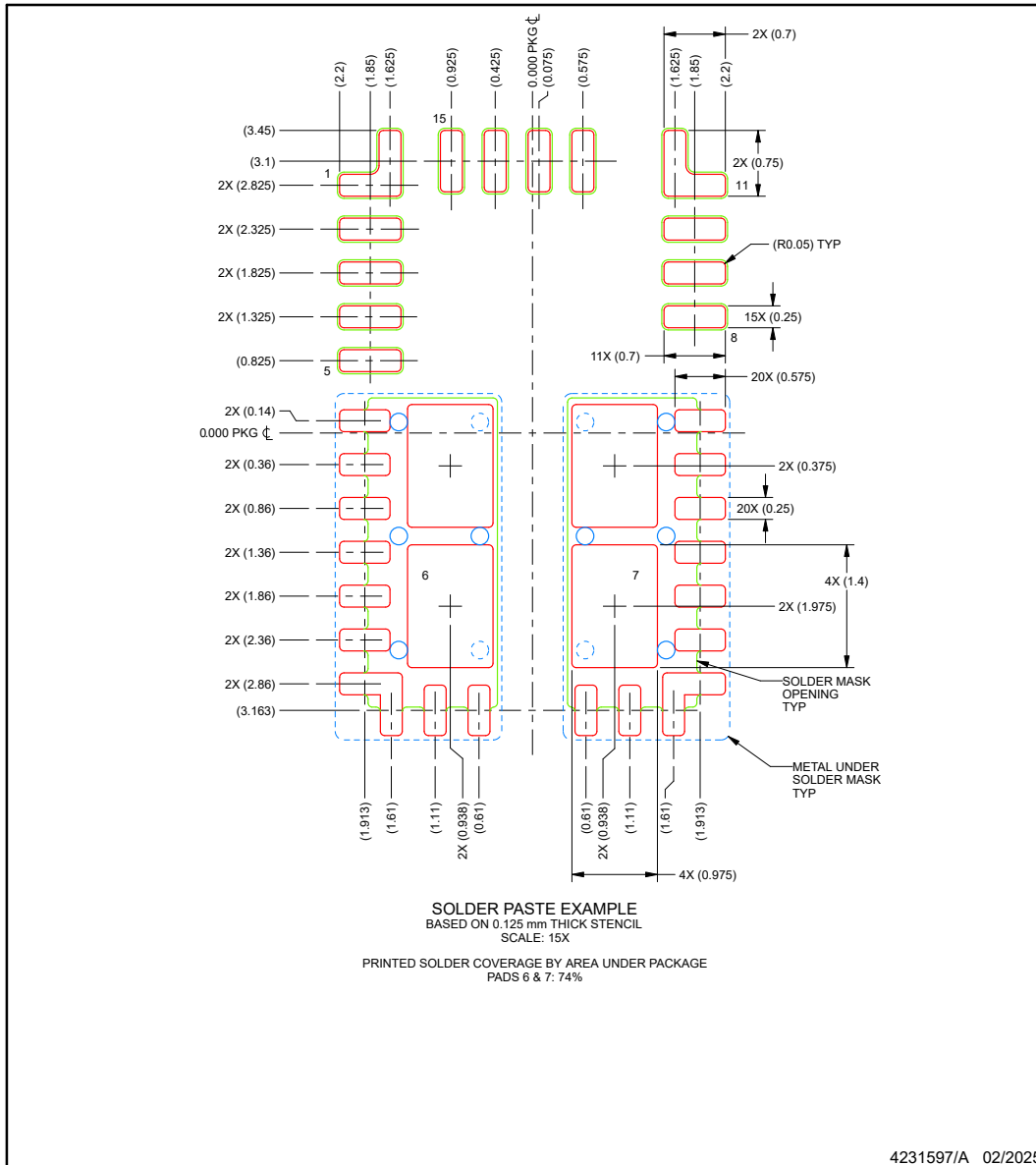
- This package is designed to be soldered to a thermal pad on the board. For more information, see Texas Instruments literature number SLUA271 ([www.ti.com/lit/slua271](http://www.ti.com/lit/slua271)).
- Vias are optional depending on application, refer to device data sheet. If any vias are implemented, refer to their locations shown on this view. It is recommended that vias under paste be filled, plugged or tented.

**EXAMPLE STENCIL DESIGN**

**VBE0015A-C01**

**VQFN-FCRLF - 0.85 mm max height**

PLASTIC QUAD FLATPACK - NO LEAD



NOTES: (continued)

6. Laser cutting apertures with trapezoidal walls and rounded corners may offer better paste release. IPC-7525 may have alternate design recommendations.

**PACKAGING INFORMATION**

Orderable part number	Status (1)	Material type (2)	Package   Pins	Package qty   Carrier	RoHS (3)	Lead finish/ Ball material (4)	MSL rating/ Peak reflow (5)	Op temp (°C)	Part marking (6)
<a href="#">LMG3100R017VBER</a>	Active	Production	VQFN-FCRLF (VBE)   15	2500   LARGE T&R	Yes	NIPDAU	Level-3-260C-168 HR	-40 to 175	3100R17
LMG3100R017VBER.A	Active	Production	VQFN-FCRLF (VBE)   15	2500   LARGE T&R	Yes	NIPDAU	Level-3-260C-168 HR	-40 to 175	3100R17
LMG3100R017VBER.B	Active	Production	VQFN-FCRLF (VBE)   15	2500   LARGE T&R	Yes	NIPDAU	Level-3-260C-168 HR	-40 to 175	3100R17
<a href="#">LMG3100R044VBER</a>	Active	Production	VQFN-FCRLF (VBE)   15	2500   LARGE T&R	Yes	NIPDAU	Level-2-260C-1 YEAR	-40 to 125	3100R4
LMG3100R044VBER.A	Active	Production	VQFN-FCRLF (VBE)   15	2500   LARGE T&R	Yes	NIPDAU	Level-2-260C-1 YEAR	See LMG3100R044VBER	3100R4
LMG3100R044VBER.B	Active	Production	VQFN-FCRLF (VBE)   15	2500   LARGE T&R	Yes	NIPDAU	Level-2-260C-1 YEAR	See LMG3100R044VBER	3100R4
<a href="#">XLMG3100R017VBER</a>	Active	Preproduction	VQFN-FCRLF (VBE)   15	2500   LARGE T&R	-	Call TI	Call TI	-40 to 125	
XLMG3100R017VBER.A	Active	Preproduction	VQFN-FCRLF (VBE)   15	2500   LARGE T&R	-	Call TI	Call TI	-40 to 125	
XLMG3100R017VBER.B	Active	Preproduction	VQFN-FCRLF (VBE)   15	2500   LARGE T&R	-	Call TI	Call TI	-40 to 125	

(1) **Status:** For more details on status, see our [product life cycle](#).

(2) **Material type:** When designated, preproduction parts are prototypes/experimental devices, and are not yet approved or released for full production. Testing and final process, including without limitation quality assurance, reliability performance testing, and/or process qualification, may not yet be complete, and this item is subject to further changes or possible discontinuation. If available for ordering, purchases will be subject to an additional waiver at checkout, and are intended for early internal evaluation purposes only. These items are sold without warranties of any kind.

(3) **RoHS values:** Yes, No, RoHS Exempt. See the [TI RoHS Statement](#) for additional information and value definition.

(4) **Lead finish/Ball material:** Parts may have multiple material finish options. Finish options are separated by a vertical ruled line. Lead finish/Ball material values may wrap to two lines if the finish value exceeds the maximum column width.

(5) **MSL rating/Peak reflow:** The moisture sensitivity level ratings and peak solder (reflow) temperatures. In the event that a part has multiple moisture sensitivity ratings, only the lowest level per JEDEC standards is shown. Refer to the shipping label for the actual reflow temperature that will be used to mount the part to the printed circuit board.

**(6) Part marking:** There may be an additional marking, which relates to the logo, the lot trace code information, or the environmental category of the part.

Multiple part markings will be inside parentheses. Only one part marking contained in parentheses and separated by a "-" will appear on a part. If a line is indented then it is a continuation of the previous line and the two combined represent the entire part marking for that device.

**Important Information and Disclaimer:**The information provided on this page represents TI's knowledge and belief as of the date that it is provided. TI bases its knowledge and belief on information provided by third parties, and makes no representation or warranty as to the accuracy of such information. Efforts are underway to better integrate information from third parties. TI has taken and continues to take reasonable steps to provide representative and accurate information but may not have conducted destructive testing or chemical analysis on incoming materials and chemicals. TI and TI suppliers consider certain information to be proprietary, and thus CAS numbers and other limited information may not be available for release.

In no event shall TI's liability arising out of such information exceed the total purchase price of the TI part(s) at issue in this document sold by TI to Customer on an annual basis.

**TAPE AND REEL INFORMATION**

**QUADRANT ASSIGNMENTS FOR PIN 1 ORIENTATION IN TAPE**

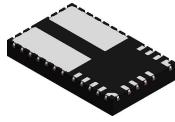

\*All dimensions are nominal

Device	Package Type	Package Drawing	Pins	SPQ	Reel Diameter (mm)	Reel Width W1 (mm)	A0 (mm)	B0 (mm)	K0 (mm)	P1 (mm)	W (mm)	Pin1 Quadrant
LMG3100R017VBER	VQFN-FCRLF	VBE	15	2500	330.0	16.4	4.3	6.8	1.1	8.0	16.0	Q1
LMG3100R044VBER	VQFN-FCRLF	VBE	15	2500	330.0	16.4	4.3	6.8	1.1	8.0	16.0	Q1

**TAPE AND REEL BOX DIMENSIONS**


\*All dimensions are nominal

Device	Package Type	Package Drawing	Pins	SPQ	Length (mm)	Width (mm)	Height (mm)
LMG3100R017VBER	VQFN-FCRLF	VBE	15	2500	367.0	367.0	38.0
LMG3100R044VBER	VQFN-FCRLF	VBE	15	2500	367.0	367.0	38.0

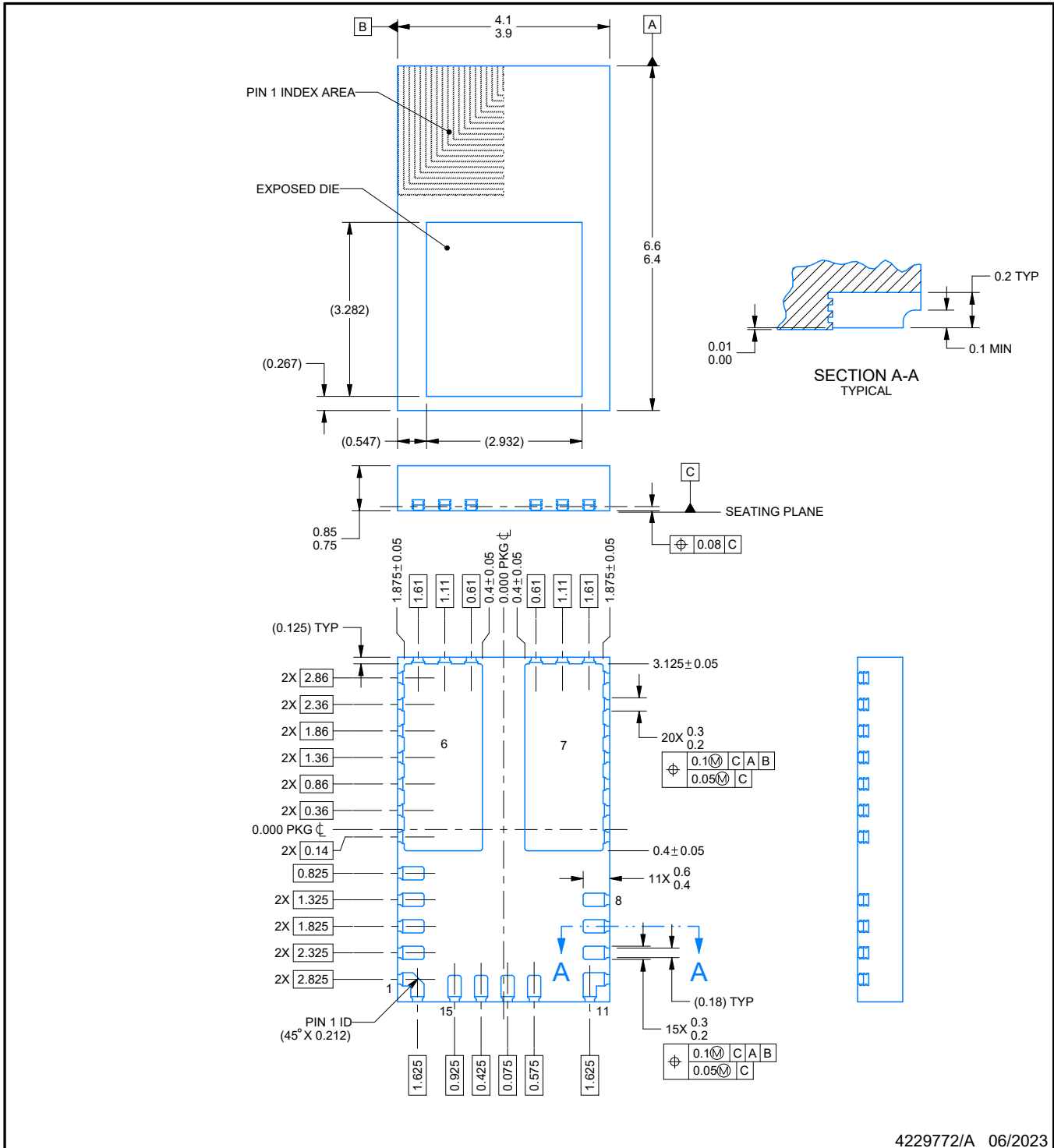


# PACKAGE OUTLINE

VBE0015A

VQFN-FCRLF - 0.85 mm max height

PLASTIC QUAD FLATPACK - NO LEAD



4229772/A 06/2023

NOTES:

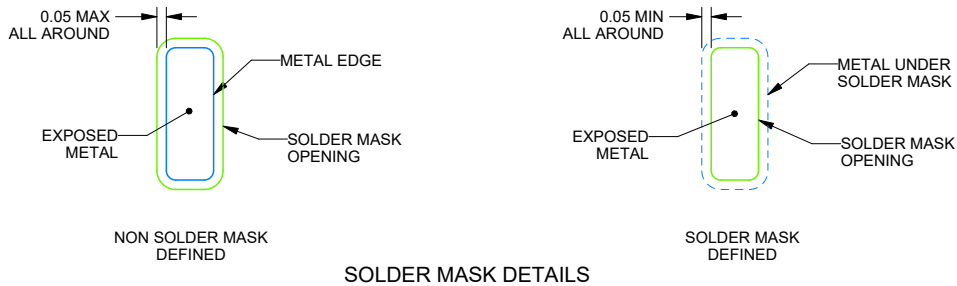
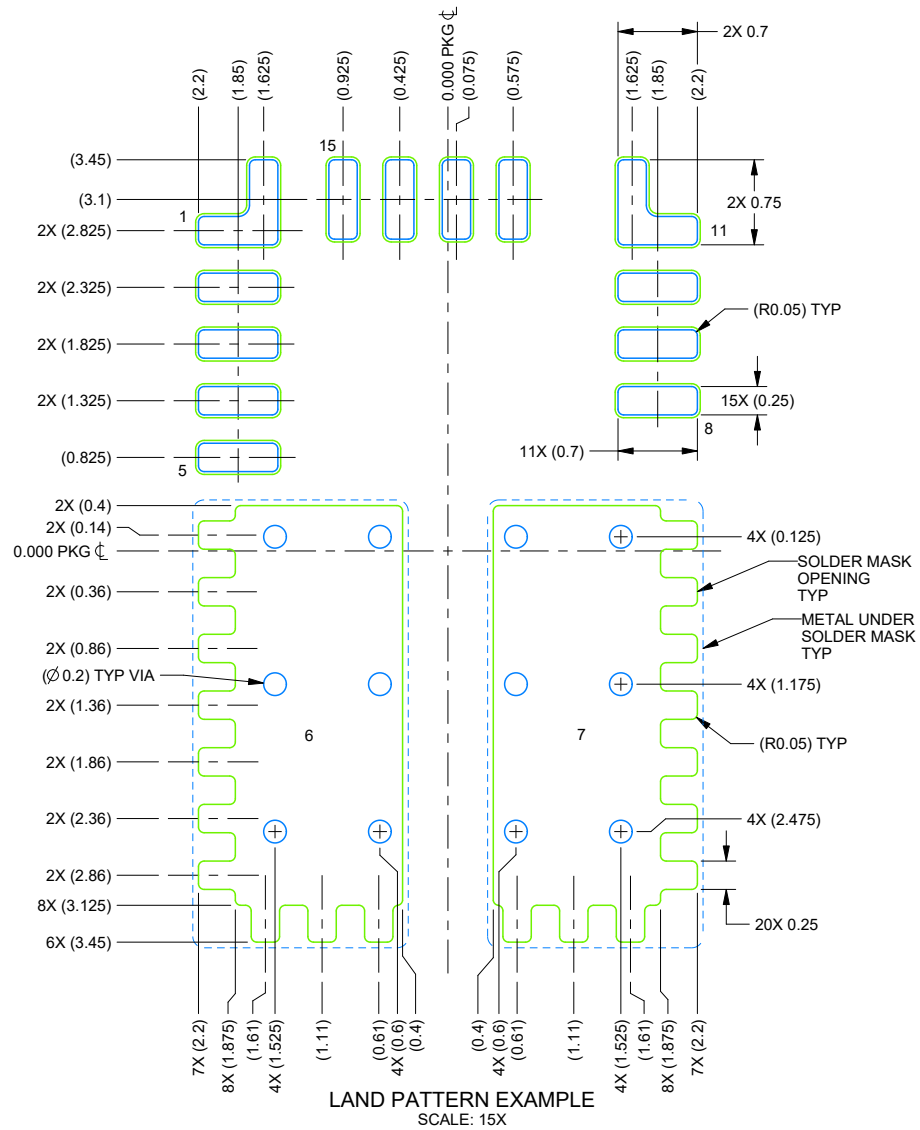
1. All linear dimensions are in millimeters. Any dimensions in parenthesis are for reference only. Dimensioning and tolerancing per ASME Y14.5M.
2. This drawing is subject to change without notice.
3. The package thermal pad must be soldered to the printed circuit board for thermal and mechanical performance.

# EXAMPLE BOARD LAYOUT

VBE0015A

VQFN-FCRLF - 0.85 mm max height

PLASTIC QUAD FLATPACK - NO LEAD



4229772/A 06/2023

NOTES: (continued)

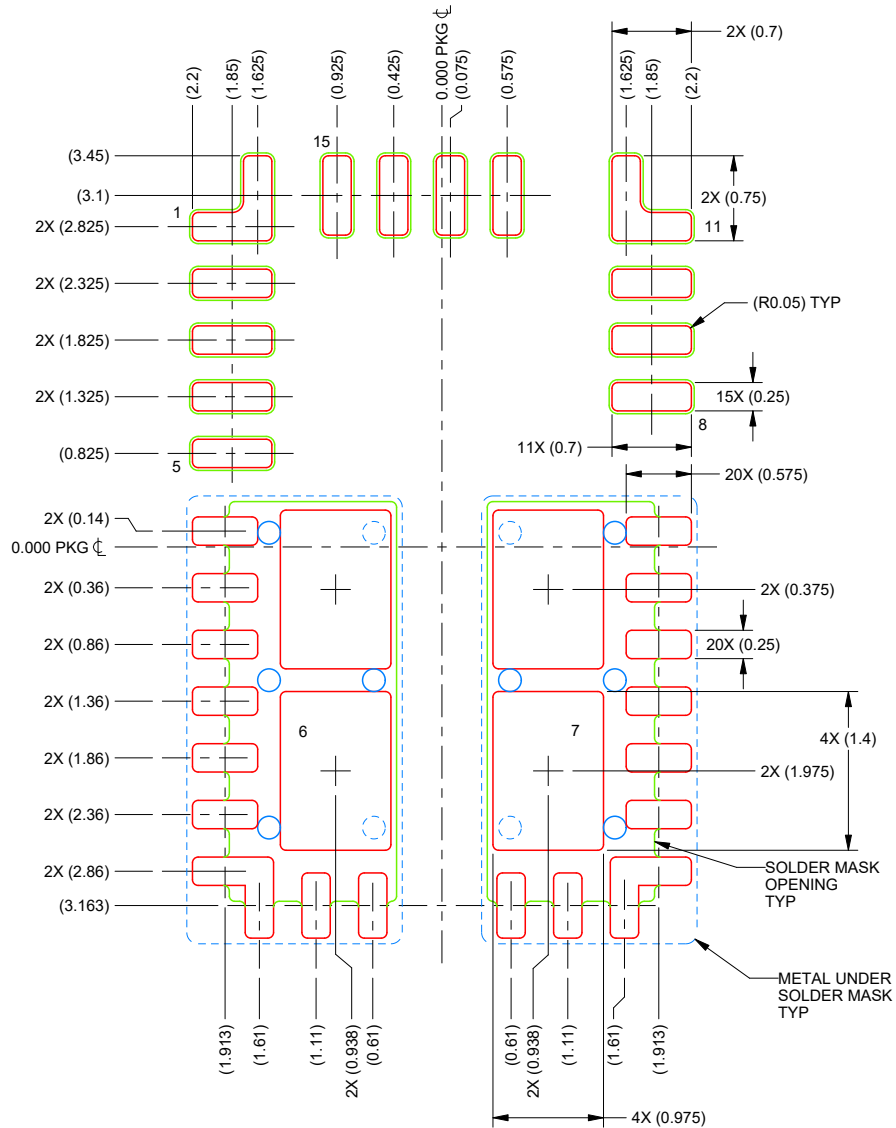
4. This package is designed to be soldered to a thermal pad on the board. For more information, see Texas Instruments literature number SLUA271 ([www.ti.com/lit/slua271](http://www.ti.com/lit/slua271)).
5. Vias are optional depending on application, refer to device data sheet. If any vias are implemented, refer to their locations shown on this view. It is recommended that vias under paste be filled, plugged or tented.

# EXAMPLE STENCIL DESIGN

VBE0015A

VQFN-FCRLF - 0.85 mm max height

PLASTIC QUAD FLATPACK - NO LEAD



SOLDER PASTE EXAMPLE  
 BASED ON 0.125 mm THICK STENCIL  
 SCALE: 15X

PRINTED SOLDER COVERAGE BY AREA UNDER PACKAGE  
 PADS 6 & 7: 74%

4229772/A 06/2023

NOTES: (continued)

6. Laser cutting apertures with trapezoidal walls and rounded corners may offer better paste release. IPC-7525 may have alternate design recommendations.

## IMPORTANT NOTICE AND DISCLAIMER

TI PROVIDES TECHNICAL AND RELIABILITY DATA (INCLUDING DATA SHEETS), DESIGN RESOURCES (INCLUDING REFERENCE DESIGNS), APPLICATION OR OTHER DESIGN ADVICE, WEB TOOLS, SAFETY INFORMATION, AND OTHER RESOURCES "AS IS" AND WITH ALL FAULTS, AND DISCLAIMS ALL WARRANTIES, EXPRESS AND IMPLIED, INCLUDING WITHOUT LIMITATION ANY IMPLIED WARRANTIES OF MERCHANTABILITY, FITNESS FOR A PARTICULAR PURPOSE OR NON-INFRINGEMENT OF THIRD PARTY INTELLECTUAL PROPERTY RIGHTS.

These resources are intended for skilled developers designing with TI products. You are solely responsible for (1) selecting the appropriate TI products for your application, (2) designing, validating and testing your application, and (3) ensuring your application meets applicable standards, and any other safety, security, regulatory or other requirements.

These resources are subject to change without notice. TI grants you permission to use these resources only for development of an application that uses the TI products described in the resource. Other reproduction and display of these resources is prohibited. No license is granted to any other TI intellectual property right or to any third party intellectual property right. TI disclaims responsibility for, and you will fully indemnify TI and its representatives against, any claims, damages, costs, losses, and liabilities arising out of your use of these resources.

TI's products are provided subject to [TI's Terms of Sale](#) or other applicable terms available either on [ti.com](https://www.ti.com) or provided in conjunction with such TI products. TI's provision of these resources does not expand or otherwise alter TI's applicable warranties or warranty disclaimers for TI products.

TI objects to and rejects any additional or different terms you may have proposed.

Mailing Address: Texas Instruments, Post Office Box 655303, Dallas, Texas 75265  
Copyright © 2025, Texas Instruments Incorporated