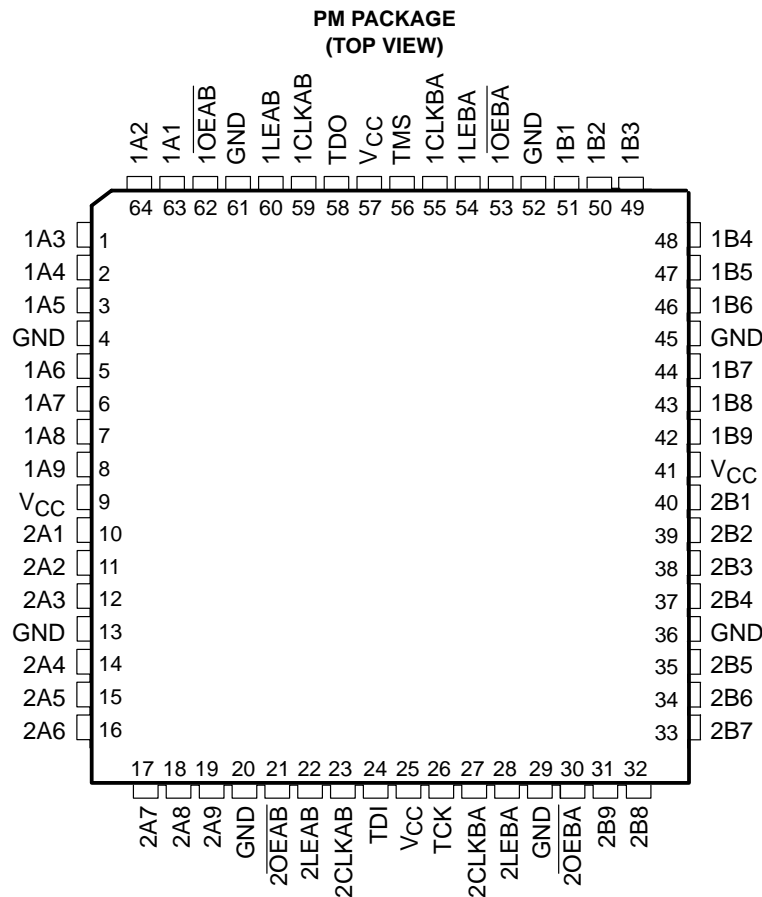


- Member of the Texas Instruments Widebus™ Family
- UBT™ Transceiver Combines D-Type Latches and D-Type Flip-Flops for Operation in Transparent, Latched, or Clocked Mode
- Compatible With IEEE Std 1149.1-1990 (JTAG) Test Access Port (TAP) and Boundary-Scan Architecture
- Includes D-Type Flip-Flops and Control Circuitry to Provide Multiplexed Transmission of Stored and Real-Time Data
- Two Boundary-Scan Cells (BSCs) Per I/O for Greater Flexibility
- SCOPE™ Instruction Set
 - IEEE Std 1149.1-1990 Required Instructions, Optional INTEST, and P1149.1A CLAMP and HIGHZ
 - Parallel Signature Analysis (PSA) at Inputs With Masking Option
 - Pseudorandom Pattern Generation (PRPG) From Outputs
 - Sample Inputs/Toggle Outputs (TOPSIP)
 - Binary Count From Outputs
 - Device Identification
 - Even-Parity Opcodes



Please be aware that an important notice concerning availability, standard warranty, and use in critical applications of Texas Instruments semiconductor products and disclaimers thereto appears at the end of this data sheet.

SCOPE, UBT, and Widebus are trademarks of Texas Instruments.

PRODUCTION DATA information is current as of publication date. Products conform to specifications per the terms of Texas Instruments standard warranty. Production processing does not necessarily include testing of all parameters.



POST OFFICE BOX 655303 • DALLAS, TEXAS 75265

Copyright © 2002, Texas Instruments Incorporated

SN74ABT18502 SCAN TEST DEVICE WITH 18-BIT REGISTERED BUS TRANSCEIVER

SCBS753 – FEBRUARY 2002

description

The SN74ABT18502 scan test device with an 18-bit universal bus transceiver is a member of the Texas Instruments SCOPE™ testability IC family. This family of devices supports IEEE Std 1149.1-1990 boundary scan to facilitate testing of complex circuit board assemblies. Scan access to the test circuitry is accomplished via the four-wire test access port (TAP) interface.

In the normal mode, this device is an 18-bit universal bus transceiver that combines D-type latches and D-type flip-flops to allow data flow in transparent, latched, or clocked modes. The device can be used either as two 9-bit transceivers or one 18-bit transceiver. The test circuitry can be activated by the TAP to take snapshot samples of the data appearing at the device pins or to perform a self test on the boundary test cells. Activating the TAP in the normal mode does not affect the functional operation of the SCOPE universal bus transceivers.

Data flow in each direction is controlled by output-enable (\overline{OEAB} and \overline{OEBA}), latch-enable (LEAB and LEBA), and clock (CLKAB and CLKBA) inputs. For A-to-B data flow, the device operates in the transparent mode when LEAB is high. When LEAB is low, the A-bus data is latched while CLKAB is held at a static low or high logic level. Otherwise, if LEAB is low, A-bus data is stored on a low-to-high transition of CLKAB. When \overline{OEAB} is low, the B outputs are active. When \overline{OEAB} is high, the B outputs are in the high-impedance state. B-to-A data flow is similar to A-to-B data flow but uses the \overline{OEBA} , LEBA, and CLKBA inputs.

In the test mode, the normal operation of the SCOPE universal bus transceivers is inhibited, and the test circuitry is enabled to observe and control the I/O boundary of the device. When enabled, the test circuitry performs boundary scan test operations according to the protocol described in IEEE Std 1149.1-1990.

Four dedicated test pins are used to observe and control the operation of the test circuitry: test data input (TDI), test data output (TDO), test mode select (TMS), and test clock (TCK). Additionally, the test circuitry can perform other testing functions such as parallel signature analysis (PSA) on data inputs and pseudorandom pattern generation (PRPG) from data outputs. All testing and scan operations are synchronized to the TAP interface.

Additional flexibility is provided in the test mode through the use of two boundary-scan cells (BSCs) for each I/O pin. This allows independent test data to be captured and forced at either bus (A or B). A PSA/binary count up (PSA/COUNT) instruction is also included to ease the testing of memories and other circuits where a binary count addressing scheme is useful.

ORDERING INFORMATION

| TA | PACKAGE† | | ORDERABLE PART NUMBER | TOP-SIDE MARKING |
|---------------|-----------|------|-----------------------|------------------|
| -40°C to 85°C | LQFP – PM | Tray | SN74ABT18502PM | ABT18502 |

† Package drawings, standard packing quantities, thermal data, symbolization, and PCB design guidelines are available at www.ti.com/sc/package.

FUNCTION TABLE‡
(normal mode, each register)

| INPUTS | | | | OUTPUT |
|-------------------|------|-------|---|---------|
| \overline{OEAB} | LEAB | CLKAB | A | B |
| L | L | L | X | B_0 § |
| L | L | ↑ | L | L |
| L | L | ↑ | H | H |
| L | H | X | L | L |
| L | H | X | H | H |
| H | X | X | X | Z |

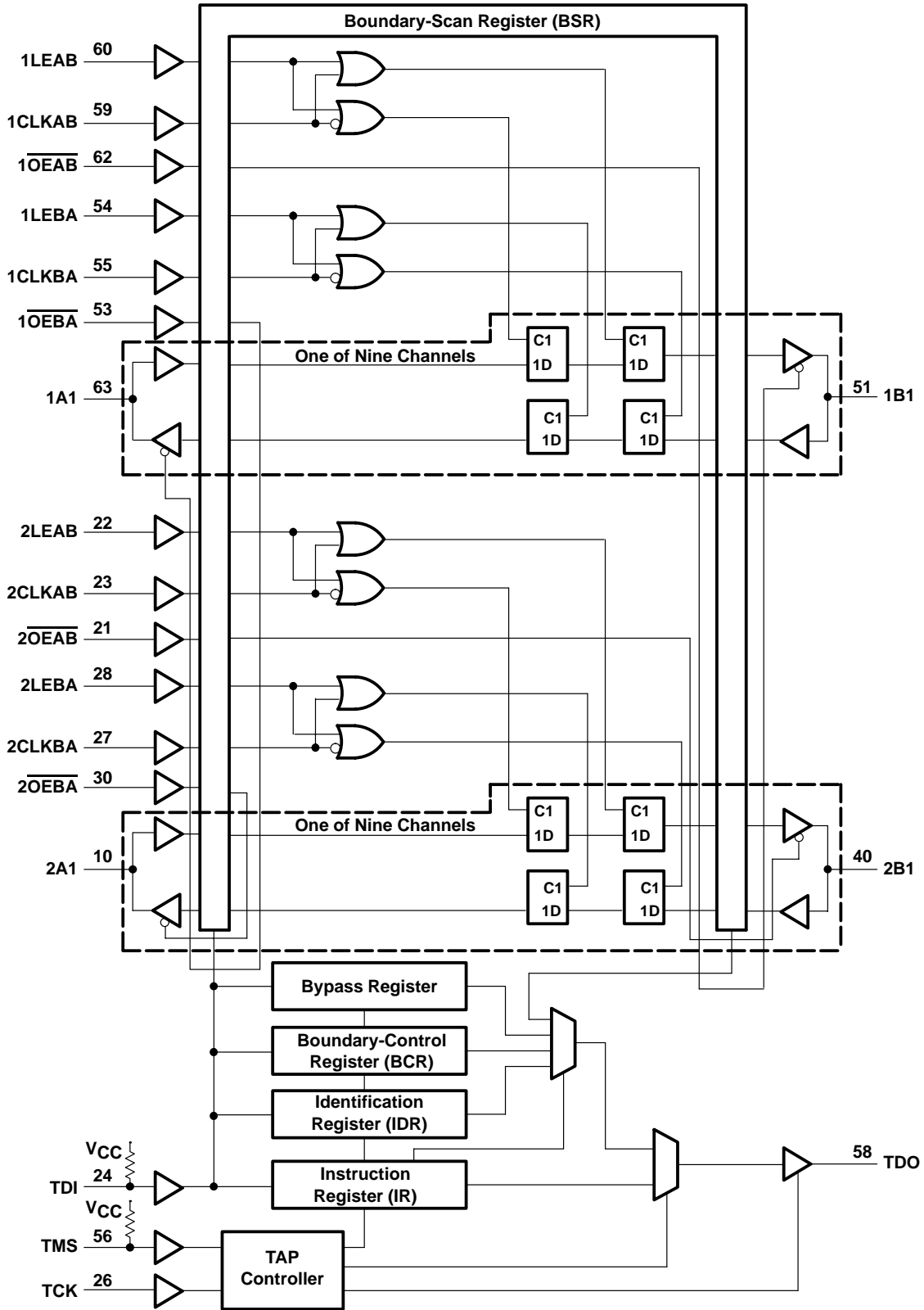
‡ A-to-B data flow is shown. B-to-A data flow is similar but uses \overline{OEBA} , LEBA, and CLKBA.

§ Output level before the indicated steady-state input conditions were established



POST OFFICE BOX 655303 • DALLAS, TEXAS 75265

functional block diagram



SN74ABT18502
SCAN TEST DEVICE
WITH 18-BIT REGISTERED BUS TRANSCEIVER

SCBS753 – FEBRUARY 2002

Terminal Functions

| PIN NAME | DESCRIPTION |
|-----------------------------------|--|
| GND | Ground |
| TCK | Test clock. One of four pins required by IEEE Std 1149.1-1990. Test operations of the device are synchronous to the test clock. Data is captured on the rising edge of TCK and outputs change on the falling edge of TCK. |
| TDI | Test data input. One of four pins required by IEEE Std 1149.1-1990. TDI is the serial input for shifting data through the instruction register (IR) or selected data register (DR). An internal pullup forces TDI to a high level if left unconnected. |
| TDO | Test data output. One of four pins required by IEEE Std 1149.1-1990. TDO is the serial output for shifting data through the IR or selected DR. |
| TMS | Test mode select. One of four pins required by IEEE Std 1149.1-1990. The TMS input directs the device through its TAP controller states. An internal pullup forces TMS to a high level if left unconnected. |
| VCC | Supply voltage |
| 1A1–1A9, 2A1–2A9 | Normal-function A-bus I/O ports (see function table for normal-mode logic) |
| 1B1–1B9, 2B1–2B9 | Normal-function B-bus I/O ports (see function table for normal-mode logic) |
| 1CLKAB, 1CLKBA, 2CLKAB, 2CLKBA | Normal-function clock inputs (see function table for normal-mode logic) |
| 1LEAB, 1LEBA, 2LEAB, 2LEBA | Normal-function latch enables (see function table for normal-mode logic) |
| 1OEAB, 1OEBA, 2OEAB, 2OEBA | Normal-function output enables (see function table for normal-mode logic) |



test architecture

Serial test information is conveyed by means of a four-wire test bus or TAP that conforms to IEEE Std 1149.1-1990. Test instructions, test data, and test control signals are all passed along this serial test bus. The TAP controller monitors two signals from the test bus, namely TCK and TMS. The function of the TAP controller is to extract the synchronization (TCK) and state control (TMS) signals from the test bus and generate the appropriate on-chip control signals for the test structures in the device. Figure 1 shows the TAP controller state diagram.

The TAP controller is fully synchronous to the TCK signal. Input data is captured on the rising edge of TCK and output data changes on the falling edge of TCK. This scheme ensures that data to be captured is valid for fully one-half of the TCK cycle.

The functional block diagram shows the IEEE Std 1149.1-1990 four-wire test bus and boundary-scan architecture and the relationship between the test bus, the TAP controller, and the test registers. As illustrated, the device contains an 8-bit instruction register (IR) and four test data registers (DRs): an 84-bit boundary-scan register (BSR), a 21-bit boundary-control register (BCR), a 1-bit bypass register, and a 32-bit device identification register (IDR).

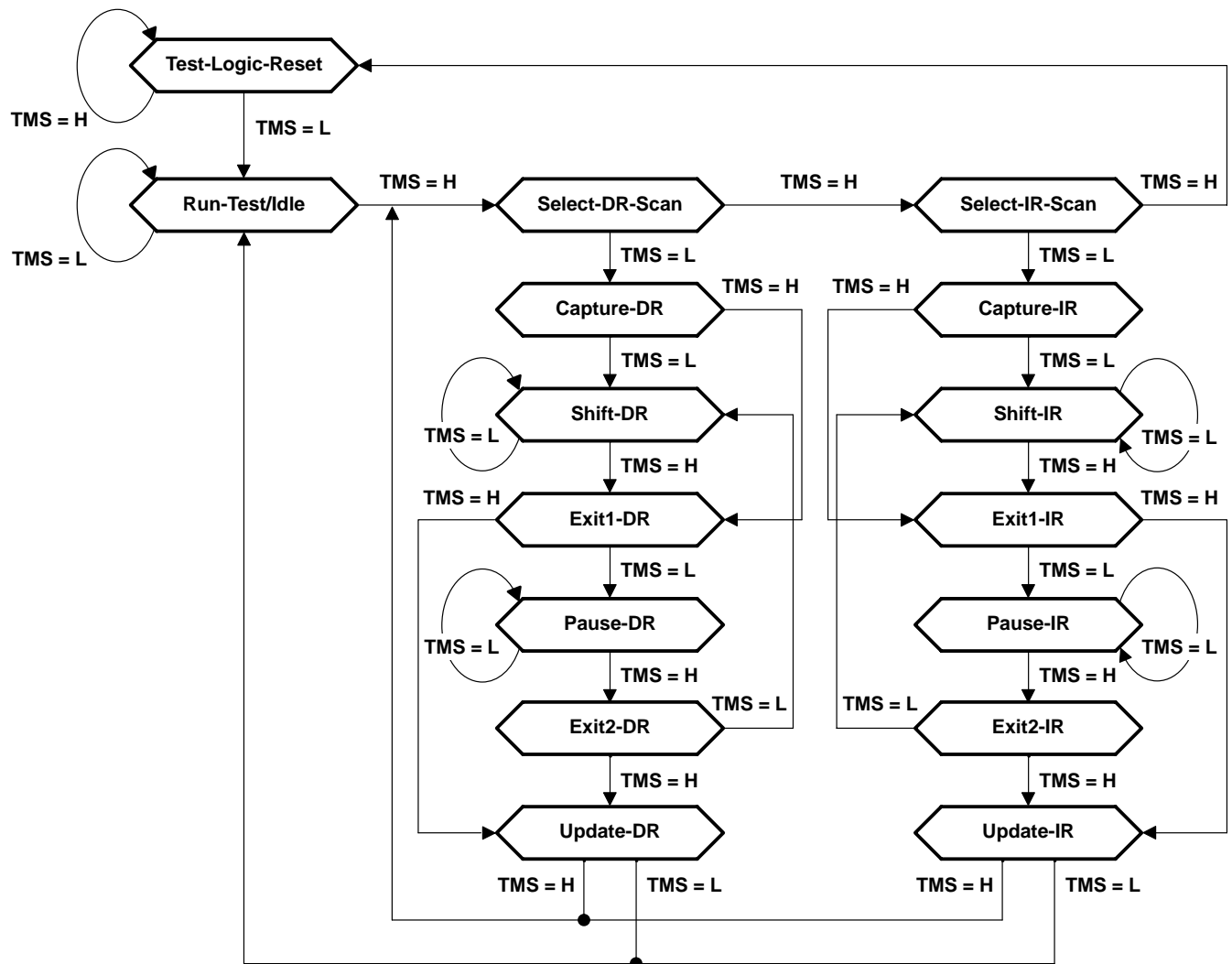


Figure 1. TAP Controller State Diagram

SN74ABT18502 SCAN TEST DEVICE WITH 18-BIT REGISTERED BUS TRANSCEIVER

SCBS753 – FEBRUARY 2002

state diagram description

The TAP controller is a synchronous finite state machine that provides test control signals throughout the device. The state diagram is shown in Figure 1 and is in accordance with IEEE Std 1149.1-1990. The TAP controller proceeds through its states based on the level of TMS at the rising edge of TCK.

As illustrated, the TAP controller consists of sixteen states. There are six stable states (indicated by a looping arrow in the state diagram) and ten unstable states. A stable state is defined as a state the TAP controller can retain for consecutive TCK cycles. Any state that does not meet this criterion is an unstable state.

There are two main paths through the state diagram: one to access and control the selected DR and one to access and control the IR. Only one register can be accessed at a time.

Test-Logic-Reset

The device powers up in the Test-Logic-Reset state. In the stable Test-Logic-Reset state, the test logic is reset and is disabled so that the normal logic function of the device is performed. The IR is reset to an opcode that selects the optional IDCODE instruction, if supported, or the BYPASS instruction. Certain DRs may also be reset to their power-up values.

The state machine is constructed such that the TAP controller returns to the Test-Logic-Reset state in no more than five TCK cycles if TMS is left high. TMS has an internal pullup resistor that forces it high if left unconnected or if a board defect causes it to be open circuited.

For the SN74ABT18502, the IR is reset to the binary value 10000001, which selects the IDCODE instruction. Each bit in the BSR is reset to logic 0 except bits 83–80, which are reset to logic 1. The BCR is reset to the binary value 00000000000000000010, which selects the PSA test operation with no input masking.

Run-Test/Idle

The TAP controller must pass through the Run-Test/Idle state (from Test-Logic-Reset) before executing any test operations. The Run-Test/Idle state can also be entered following DR or IR scans. Run-Test/Idle is provided as a stable state in which the test logic may be actively running a test or can be idle.

The test operations selected by the BCR are performed while the TAP controller is in the Run-Test/Idle state.

Select-DR-Scan, Select-IR-Scan

No specific function is performed in the Select-DR-Scan and Select-IR-Scan states, and the TAP controller exits either of these states on the next TCK cycle. These states are provided to allow the selection of either DR scan or IR scan.

Capture-DR

When a DR scan is selected, the TAP controller must pass through the Capture-DR state. In the Capture-DR state, the selected DR can capture a data value as specified by the current instruction. Such capture operations occur on the rising edge of TCK upon which the TAP controller exits the Capture-DR state.

Shift-DR

Upon entry to the Shift-DR state, the DR is placed in the scan path between TDI and TDO and, on the first falling edge of TCK, TDO goes from the high-impedance state to an active state. TDO enables to the logic level present in the least significant bit (LSB) of the selected DR.

While in the stable Shift-DR state, data is serially shifted through the selected DR on each TCK cycle. The first shift occurs on the first rising edge of TCK after entry to the Shift-DR state (i.e., no shifting occurs during the TCK cycle in which the TAP controller changes from Capture-DR to Shift-DR or from Exit2-DR to Shift-DR). The last shift occurs on the rising edge of TCK upon which the TAP controller exits the Shift-DR state.



Exit1-DR, Exit2-DR

The Exit1-DR and Exit2-DR states are temporary states used to end a DR scan. It is possible to return to the Shift-DR state from either Exit1-DR or Exit2-DR without recapturing the DR.

On the first falling edge of TCK after entry to Exit1-DR, TDO goes from the active state to the high-impedance state.

Pause-DR

No specific function is performed in the stable Pause-DR state, in which the TAP controller can remain indefinitely. The Pause-DR state provides the capability of suspending and resuming DR scan operations without loss of data.

Update-DR

If the current instruction calls for the selected DR to be updated with current data, such update occurs on the falling edge of TCK following entry to the Update-DR state.

Capture-IR

When an IR scan is selected, the TAP controller must pass through the Capture-IR state. In the Capture-IR state, the IR captures its current status value. This capture operation occurs on the rising edge of TCK, upon which the TAP controller exits the Capture-IR state.

For the SN74ABT18502, the status value loaded in the Capture-IR state is the fixed binary value 10000001.

Shift-IR

Upon entry to the Shift-IR state, the IR is placed in the scan path between TDI and TDO and, on the first falling edge of TCK, TDO goes from the high-impedance state to an active state. TDO enables to the logic level present in the LSB of the IR.

While in the stable Shift-IR state, instruction data is serially shifted through the IR on each TCK cycle. The first shift occurs on the first rising edge of TCK after entry to the Shift-IR state (i.e., no shifting occurs during the TCK cycle in which the TAP controller changes from Capture-IR to Shift-IR or from Exit2-IR to Shift-IR). The last shift occurs on the rising edge of TCK upon which the TAP controller exits the Shift-IR state.

Exit1-IR, Exit2-IR

The Exit1-IR and Exit2-IR states are temporary states used to end an IR scan. It is possible to return to the Shift-IR state from either Exit1-IR or Exit2-IR without recapturing the IR.

On the first falling edge of TCK after entry to Exit1-IR, TDO goes from the active state to the high-impedance state.

Pause-IR

No specific function is performed in the stable Pause-IR state, in which the TAP controller can remain indefinitely. The Pause-IR state provides the capability of suspending and resuming IR scan operations without loss of data.

Update-IR

The current instruction is updated and takes effect on the falling edge of TCK following entry to the Update-IR state.

SN74ABT18502 SCAN TEST DEVICE WITH 18-BIT REGISTERED BUS TRANSCEIVER

SCBS753 – FEBRUARY 2002

register overview

With the exception of the bypass register and device IDR, any test register can be thought of as a serial shift register with a shadow latch on each bit. The bypass register and device IDR differ in that they contain only a shift register. During the appropriate capture state (Capture-IR for the IR, Capture-DR for DRs), the shift register may be parallel loaded from a source specified by the current instruction. During the appropriate shift state (Shift-IR or Shift-DR), the contents of the shift register are shifted out from TDO while new contents are shifted in at TDI. During the appropriate update state (Update-IR or Update-DR), the shadow latches are updated from the shift register.

instruction register (IR)

The IR is eight bits long and is used to tell the device what instruction is to be executed. Information contained in the instruction includes the mode of operation (either normal mode, in which the device performs its normal logic function, or test mode, in which the normal logic function is inhibited or altered), the test operation to be performed, which of the four DRs is to be selected for inclusion in the scan path during DR scans, and the source of data to be captured into the selected DR during Capture-DR.

Table 4 lists the instructions supported by the SN74ABT18502. The even-parity feature specified for SCOPE devices is supported in this device. Bit 7 of the instruction opcode is the parity bit. Any instructions that are defined for SCOPE devices but are not supported by this device default to BYPASS.

During Capture-IR, the IR captures the binary value 10000001. As an instruction is shifted in, this value is shifted out via TDO and can be inspected as verification that the IR is in the scan path. During Update-IR, the value that has been shifted into the IR is loaded into shadow latches. At this time, the current instruction is updated and any specified mode change takes effect. At power up or in the Test-Logic-Reset state, the IR is reset to the binary value 10000001, which selects the IDCODE instruction. The IR order of scan is shown in Figure 2.

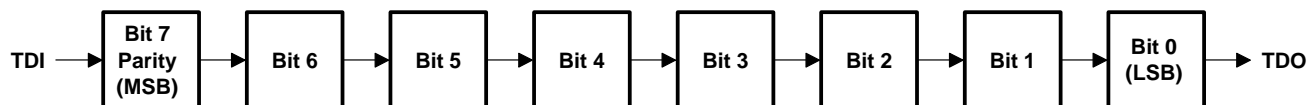


Figure 2. IR Order of Scan

data register (DR)

boundary-scan register (BSR)

The BSR is 84 bits long. It contains one BSC for each normal-function input pin and two BSCs for each normal-function I/O pin (one for input data and one for output data). The BSR is used 1) to store test data that is to be applied internally to the inputs of the normal on-chip logic and/or externally to the device output pins, and/or 2) to capture data that appears internally at the outputs of the normal on-chip logic and/or externally at the device input pins.

The source of data to be captured into the BSR during Capture-DR is determined by the current instruction. The contents of the BSR can change during Run-Test/Idle as determined by the current instruction. At power up or in Test-Logic-Reset, the value of each BSC is reset to logic 0 except BSCs 83–80, which are reset to logic 1, ensuring that these cells, which control A-port and B-port outputs are set to benign values (i.e., if test mode were invoked, the outputs would be at high impedance state). Rest values of other BSCs should be considered indeterminate.

The BSR order of scan is from TDI through bits 83–0 to TDO. Table 1 shows the BSR bits and their associated device pin signals.

Table 1. BSR Configuration

| BSR BIT NUMBER | DEVICE SIGNAL | BSR BIT NUMBER | DEVICE SIGNAL | BSR BIT NUMBER | DEVICE SIGNAL | BSR BIT NUMBER | DEVICE SIGNAL | BSR BIT NUMBER | DEVICE SIGNAL |
|----------------|---------------|----------------|---------------|----------------|---------------|----------------|---------------|----------------|---------------|
| 83 | 2OEAB | 71 | 2A9-I | 53 | 2A9-O | 35 | 2B9-I | 17 | 2B9-O |
| 82 | 1OEAB | 70 | 2A8-I | 52 | 2A8-O | 34 | 2B8-I | 16 | 2B8-O |
| 81 | 2OEBA | 69 | 2A7-I | 51 | 2A7-O | 33 | 2B7-I | 15 | 2B7-O |
| 80 | 1OEBA | 68 | 2A6-I | 50 | 2A6-O | 32 | 2B6-I | 14 | 2B6-O |
| 79 | 2CLKAB | 67 | 2A5-I | 49 | 2A5-O | 31 | 2B5-I | 13 | 2B5-O |
| 78 | 1CLKAB | 66 | 2A4-I | 48 | 2A4-O | 30 | 2B4-I | 12 | 2B4-O |
| 77 | 2CLKBA | 65 | 2A3-I | 47 | 2A3-O | 29 | 2B3-I | 11 | 2B3-O |
| 76 | 1CLKBA | 64 | 2A2-I | 46 | 2A2-O | 28 | 2B2-I | 10 | 2B2-O |
| 75 | 2LEAB | 63 | 2A1-I | 45 | 2A1-O | 27 | 2B1-I | 9 | 2B1-O |
| 74 | 1LEAB | 62 | 1A9-I | 44 | 1A9-O | 26 | 1B9-I | 8 | 1B9-O |
| 73 | 2LEBA | 61 | 1A8-I | 43 | 1A8-O | 25 | 1B8-I | 7 | 1B8-O |
| 72 | 1LEBA | 60 | 1A7-I | 42 | 1A7-O | 24 | 1B7-I | 6 | 1B7-O |
| — | — | 59 | 1A6-I | 41 | 1A6-O | 23 | 1B6-I | 5 | 1B6-O |
| — | — | 58 | 1A5-I | 40 | 1A5-O | 22 | 1B5-I | 4 | 1B5-O |
| — | — | 57 | 1A4-I | 39 | 1A4-O | 21 | 1B4-I | 3 | 1B4-O |
| — | — | 56 | 1A3-I | 38 | 1A3-O | 20 | 1B3-I | 2 | 1B3-O |
| — | — | 55 | 1A2-I | 37 | 1A2-O | 19 | 1B2-I | 1 | 1B2-O |
| — | — | 54 | 1A1-I | 36 | 1A1-O | 18 | 1B1-I | 0 | 1B1-O |

SN74ABT18502
SCAN TEST DEVICE
WITH 18-BIT REGISTERED BUS TRANSCEIVER

SCBS753 – FEBRUARY 2002

boundary-control register (BCR)

The BCR is 21 bits long. The BCR is used in the context of the RUNT instruction to implement additional test operations not included in the basic SCOPE instruction set. Such operations include PRPG, PSA with input masking, and binary count up (COUNT). Table 5 shows the test operations that are decoded by the BCR.

During Capture-DR, the contents of the BCR are not changed. At power up or in Test-Logic-Reset, the BCR is reset to the binary value 00000000000000000010, which selects the PSA test operation with no input masking.

The BCR order of scan is from TDI through bits 20–0 to TDO. Table 2 shows the BCR bits and their associated test control signals.

Table 2. BCR Configuration

| BCR BIT NUMBER | TEST CONTROL SIGNAL | BCR BIT NUMBER | TEST CONTROL SIGNAL | BCR BIT NUMBER | TEST CONTROL SIGNAL |
|----------------|---------------------|----------------|---------------------|----------------|---------------------|
| 20 | MASK2.9 | 11 | MASK1.9 | 2 | OPCODE2 |
| 19 | MASK2.8 | 10 | MASK1.8 | 1 | OPCODE1 |
| 18 | MASK2.7 | 9 | MASK1.7 | 0 | OPCODE0 |
| 17 | MASK2.6 | 8 | MASK1.6 | — | — |
| 16 | MASK2.5 | 7 | MASK1.5 | — | — |
| 15 | MASK2.4 | 6 | MASK1.4 | — | — |
| 14 | MASK2.3 | 5 | MASK1.3 | — | — |
| 13 | MASK2.2 | 4 | MASK1.2 | — | — |
| 12 | MASK2.1 | 3 | MASK1.1 | — | — |

bypass register

The bypass register is a 1-bit scan path that can be selected to shorten the length of the system scan path, thereby reducing the number of bits per test pattern that must be applied to complete a test operation. During Capture-DR, the bypass register captures a logic 0. The bypass register order of scan is shown in Figure 3.

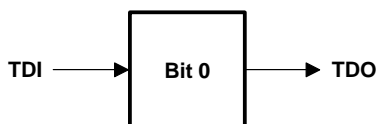


Figure 3. Bypass Register Order of Scan

device identification register (IDR)

The device IDR is 32 bits long. It can be selected and read to identify the manufacturer, part number, and version of this device.

During Capture-DR, the binary value 0000000000000000110000000101111 (0000602F, hex) is captured in the device IDR to identify this device as the TI SN74ABT18502, version 0. The device IDR order of scan is from TDO through bits 31–0 to TDI. Table 3 shows the device IDR bits and their significance.

Table 3. Device IDR Configuration

| IDR BIT NUMBER | IDENTIFICATION SIGNIFICANCE | IDR BIT NUMBER | IDENTIFICATION SIGNIFICANCE | IDR BIT NUMBER | IDENTIFICATION SIGNIFICANCE |
|----------------|-----------------------------|----------------|-----------------------------|----------------|-----------------------------|
| 31 | VERSION3 | 27 | PARTNUMBER15 | 11 | MANUFACTURER10† |
| 30 | VERSION2 | 26 | PARTNUMBER14 | 10 | MANUFACTURER09† |
| 29 | VERSION1 | 25 | PARTNUMBER13 | 9 | MANUFACTURER08† |
| 28 | VERSION0 | 24 | PARTNUMBER12 | 8 | MANUFACTURER07† |
| — | — | 23 | PARTNUMBER11 | 7 | MANUFACTURER06† |
| — | — | 22 | PARTNUMBER10 | 6 | MANUFACTURER05† |
| — | — | 21 | PARTNUMBER09 | 5 | MANUFACTURER04† |
| — | — | 20 | PARTNUMBER08 | 4 | MANUFACTURER03† |
| — | — | 19 | PARTNUMBER07 | 3 | MANUFACTURER02† |
| — | — | 18 | PARTNUMBER06 | 2 | MANUFACTURER01† |
| — | — | 17 | PARTNUMBER05 | 1 | MANUFACTURER00† |
| — | — | 16 | PARTNUMBER04 | 0 | LOGIC1† |
| — | — | 15 | PARTNUMBER03 | — | — |
| — | — | 14 | PARTNUMBER02 | — | — |
| — | — | 13 | PARTNUMBER01 | — | — |
| — | — | 12 | PARTNUMBER00 | — | — |

† Note that for TI products, bits 11–0 of the device IDR always contains the binary value 00000101111 (02F, hex).

instruction-register (IR) opcode

The IR opcodes are shown in Table 4. The following descriptions detail the operation of each instruction.

Table 4. IR Opcodes

| BINARY CODE‡ BIT 7 → BIT 0 MSB → LSB | SCOPE OPCODE | DESCRIPTION | SELECTED DR | MODE |
|--|----------------|------------------------------------|-----------------------|---------------|
| 00000000 | EXTEST | Boundary scan | Boundary scan | Test |
| 10000001 | IDCODE | Identification read | Device identification | Normal |
| 10000010 | SAMPLE/PRELOAD | Sample boundary | Boundary scan | Normal |
| 00000011 | INTEST | Boundary scan | Boundary scan | Test |
| 10000100 | BYPASS§ | Bypass scan | Bypass | Normal |
| 00000101 | BYPASS§ | Bypass scan | Bypass | Normal |
| 00000110 | HIGHZ | Control boundary to high impedance | Bypass | Modified test |
| 10000111 | CLAMP | Control boundary to 1/0 | Bypass | Test |
| 10001000 | BYPASS§ | Bypass scan | Bypass | Normal |
| 00001001 | RUNT | Boundary run test | Bypass | Test |
| 00001010 | READBN | Boundary read | Boundary scan | Normal |
| 10001011 | READBT | Boundary read | Boundary scan | Test |
| 00001100 | CELLTST | Boundary self test | Boundary scan | Normal |
| 10001101 | TOPHIP | Boundary toggle outputs | Bypass | Test |
| 10001110 | SCANCN | BCR scan | Boundary control | Normal |
| 00001111 | SCANCT | BCR scan | Boundary control | Test |
| All others | BYPASS | Bypass scan | Bypass | Normal |

‡ Bit 7 is used to maintain even parity in the 8-bit instruction.

§ The BYPASS instruction is executed in lieu of a SCOPE instruction that is not supported in the SN74ABT18502.

SN74ABT18502 SCAN TEST DEVICE WITH 18-BIT REGISTERED BUS TRANSCEIVER

SCBS753 – FEBRUARY 2002

boundary scan

This instruction conforms to the IEEE Std 1149.1-1990 EXTEST and INTEST instructions. The BSR is selected in the scan path. Data appearing at the device input pins is captured in the input BSCs, while data appearing at the outputs of the normal on-chip logic is captured in the output BSCs. Data scanned into the input BSCs is applied to the inputs of the normal on-chip logic, while data scanned into the output BSCs is applied to the device output pins. The device operates in the test mode.

bypass scan

This instruction conforms to the IEEE Std 1149.1-1990 BYPASS instruction. The bypass register is selected in the scan path. A logic-0 value is captured in the bypass register during Capture-DR. The device operates in the normal mode.

sample boundary

This instruction conforms to the IEEE Std 1149.1-1990 SAMPLE/PRELOAD instruction. The BSR is selected in the scan path. Data appearing at the device input pins is captured in the input BSCs, while data appearing at the outputs of the normal on-chip logic is captured in the output BSCs. The device operates in the normal mode.

control boundary to high impedance

This instruction conforms to the IEEE Std P1149.1A HIGHZ instruction. The bypass register is selected in the scan path. A logic-0 value is captured in the bypass register during Capture-DR. The device operates in a modified test mode in which all device I/O pins are placed in the high-impedance state, the device input pins remain operational, and the normal on-chip logic function is performed.

control boundary to 1/0

This instruction conforms to the IEEE Std P1149.1A CLAMP instruction. The bypass register is selected in the scan path. A logic-0 value is captured in the bypass register during Capture-DR. Data in the input BSCs is applied to the inputs of the normal on-chip logic, while data in the output BSCs is applied to the device output pins. The device operates in the test mode.

boundary run test

The bypass register is selected in the scan path. A logic-0 value is captured in the bypass register during Capture-DR. The device operates in the test mode. The test operation specified in the BCR is executed during Run-Test/Idle. The five test operations decoded by the BCR are: sample inputs/toggle outputs (TOPSIP), PRPG, PSA, simultaneous PSA and PRPG (PSA/PRPG), and simultaneous PSA/COUNT.

boundary read

The BSR is selected in the scan path. The value in the BSR remains unchanged during Capture-DR. This instruction is useful for inspecting data after a PSA operation.

boundary self test

The BSR is selected in the scan path. All BSCs capture the inverse of their current values during Capture-DR. In this way, the contents of the shadow latches can be read out to verify the integrity of both shift-register and shadow-latch elements of the BSR. The device operates in the normal mode.

boundary toggle outputs

The bypass register is selected in the scan path. A logic-0 value is captured in the bypass register during Capture-DR. Data in the shift-register elements of the selected output BSCs is toggled on each rising edge of TCK in Run-Test/Idle, updated in the shadow latches, and applied to the associated device output pins on each falling edge of TCK in Run-Test/Idle. Data in the selected input BSCs remains constant and is applied to the inputs of the normal on-chip logic. Data appearing at the device input pins is not captured in the input BSCs. The device operates in the test mode.



POST OFFICE BOX 655303 • DALLAS, TEXAS 75265

BCR scan

The BCR is selected in the scan path. The value in the BCR remains unchanged during Capture-DR. This operation must be performed before a boundary-run test operation to specify which test operation is to be executed.

BCR opcodes

The BCR opcodes are decoded from BCR bits 2–0 as shown in Table 5. The selected test operation is performed while the RUNT instruction is executed in the Run-Test/Idle state. The following descriptions detail the operation of each BCR instruction and illustrate the associated PSA and PRPG algorithms.

Table 5. BCR Opcodes

| BINARY CODE BIT 2 → BIT 0 MSB → LSB | DESCRIPTION |
|---|--|
| X00 | Sample inputs/toggle outputs (TOPSIP) |
| X01 | Pseudorandom pattern generation/36-bit mode (PRPG) |
| X10 | Parallel signature analysis/36-bit mode (PSA) |
| 011 | Simultaneous PSA and PRPG/18-bit mode (PSA/PRPG) |
| 111 | Simultaneous PSA and binary count up/18-bit mode (PSA/COUNT) |

In general, while the control-input BSCs (bits 83–72) are not included in the toggle, PSA, PRPG, or COUNT algorithms, the output-enable BSCs (bits 83–80 of the BSR) control the drive state (active or high impedance) of the selected device output pins. These BCR instructions are only valid when both bytes of the device are operating in one direction of data flow (that is $1\overline{OEAB} \neq 1\overline{OEBA}$ and $2\overline{OEAB} \neq 2\overline{OEBA}$) and in the same direction of data flow (that is $1\overline{OEAB} = 2\overline{OEAB}$ and $1\overline{OEBA} = 2\overline{OEBA}$). Otherwise, the bypass instruction is operated.

PSA input masking

Bits 20–3 of the BCR are used to specify device input pins to be masked from PSA operations. Bit 20 selects masking for device input pin 2A9 during A-to-B data flow or for device input pin 2B9 during B-to-A data flow. Bit 3 selects masking for device input pins 1A1 or 1B1 during A-to-B or B-to-A data flow, respectively. Bits intermediate to 20 and 3 mask corresponding device input pins in order from most significant to least significant, as indicated in Table 2. When the mask bit that corresponds to a particular device input has a logic-1 value, the device input pin is masked from any PSA operation, meaning that the state of the device input pin is ignored and has no effect on the generated signature. Otherwise, when a mask bit has a logic 0 value, the corresponding device input is not masked from the PSA operation.

sample inputs/toggle outputs (TOPSIP)

Data appearing at the selected device input pins is captured in the shift-register elements of the selected BSCs on each rising edge of TCK. This data is updated in the shadow latches of the selected input BSCs and applied to the inputs of the normal on-chip logic. Data in the shift-register elements of the selected output BSCs is toggled on each rising edge of TCK, updated in the shadow latches, and applied to the associated device output pins on each falling edge of TCK.

SN74ABT18502
SCAN TEST DEVICE
WITH 18-BIT REGISTERED BUS TRANSCEIVER

SCBS753 – FEBRUARY 2002

pseudorandom pattern generation (PRPG)

A pseudorandom pattern is generated in the shift-register elements of the selected BSCs on each rising edge of TCK, updated in the shadow latches, and applied to the associated device output pins on each falling edge of TCK. This data also is updated in the shadow latches of the selected input BSCs and applied to the inputs of the normal on-chip logic. Figures 4 and 5 show the 36-bit linear-feedback shift-register algorithms through which the patterns are generated. An initial seed value should be scanned into the BSR before performing this operation. A seed value of all zeroes does not produce additional patterns.

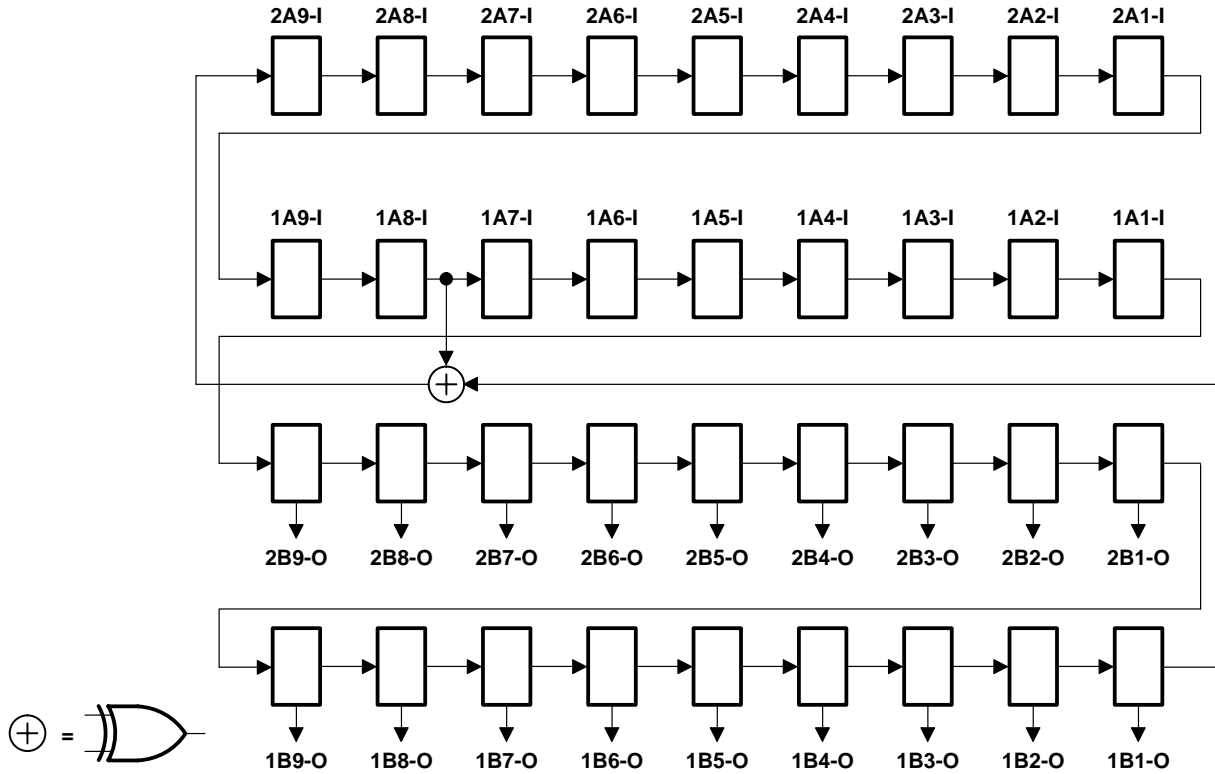


Figure 4. 36-Bit PRPG Configuration ($\overline{1OEAB} = \overline{2OEAB} = 0$, $\overline{1OEBA} = \overline{2OEBA} = 1$)

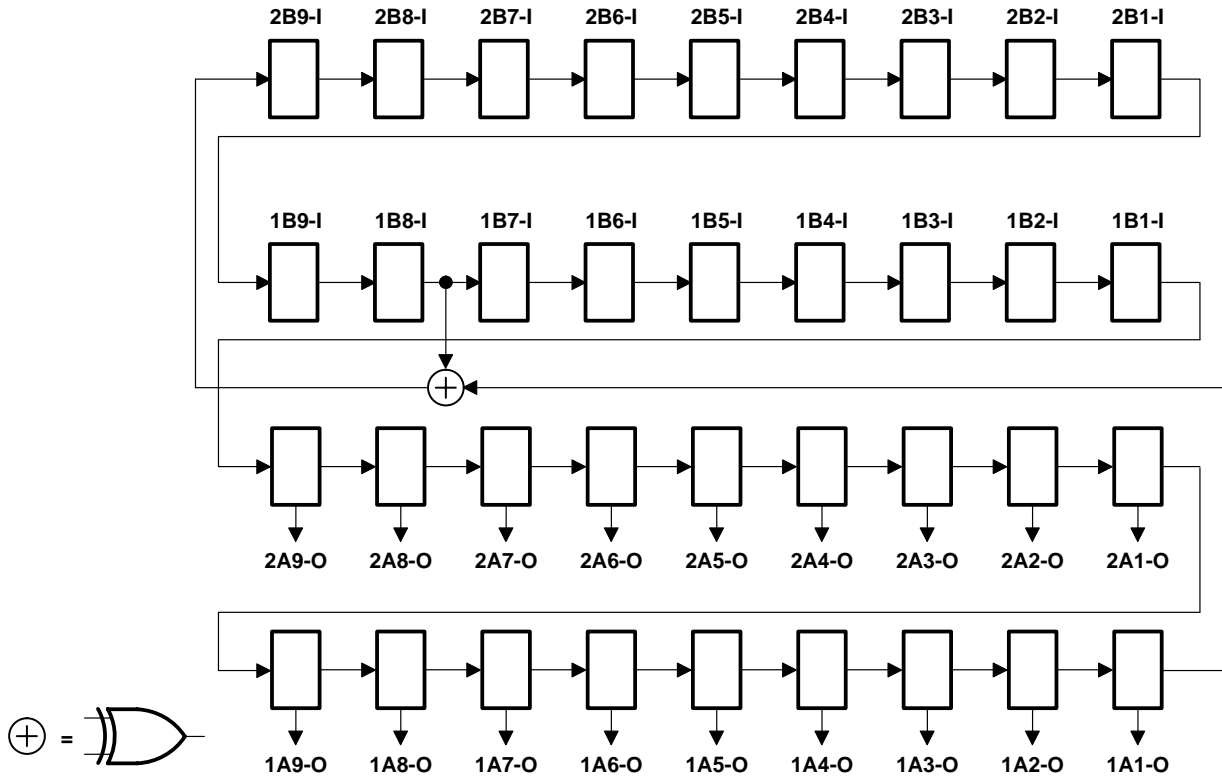


Figure 5. 36-Bit PRPG Configuration ($1\overline{OEAB} = 2\overline{OEAB} = 1$, $1\overline{OEBA} = 2\overline{OEBA} = 0$)

SN74ABT18502
SCAN TEST DEVICE
WITH 18-BIT REGISTERED BUS TRANSCEIVER

SCBS753 – FEBRUARY 2002

parallel signature analysis (PSA)

Data appearing at the selected device input pins is compressed into a 36-bit parallel signature in the shift-register elements of the selected BSCs on each rising edge of TCK. This data is updated in the shadow latches of the selected input BSCs and applied to the inputs of the normal on-chip logic. Data in the shadow latches of the selected output BSCs remains constant and is applied to the device outputs. Figures 6 and 7 show the 36-bit linear-feedback shift-register algorithms through which the signature is generated. An initial seed value should be scanned into the BSR prior to performing this operation.

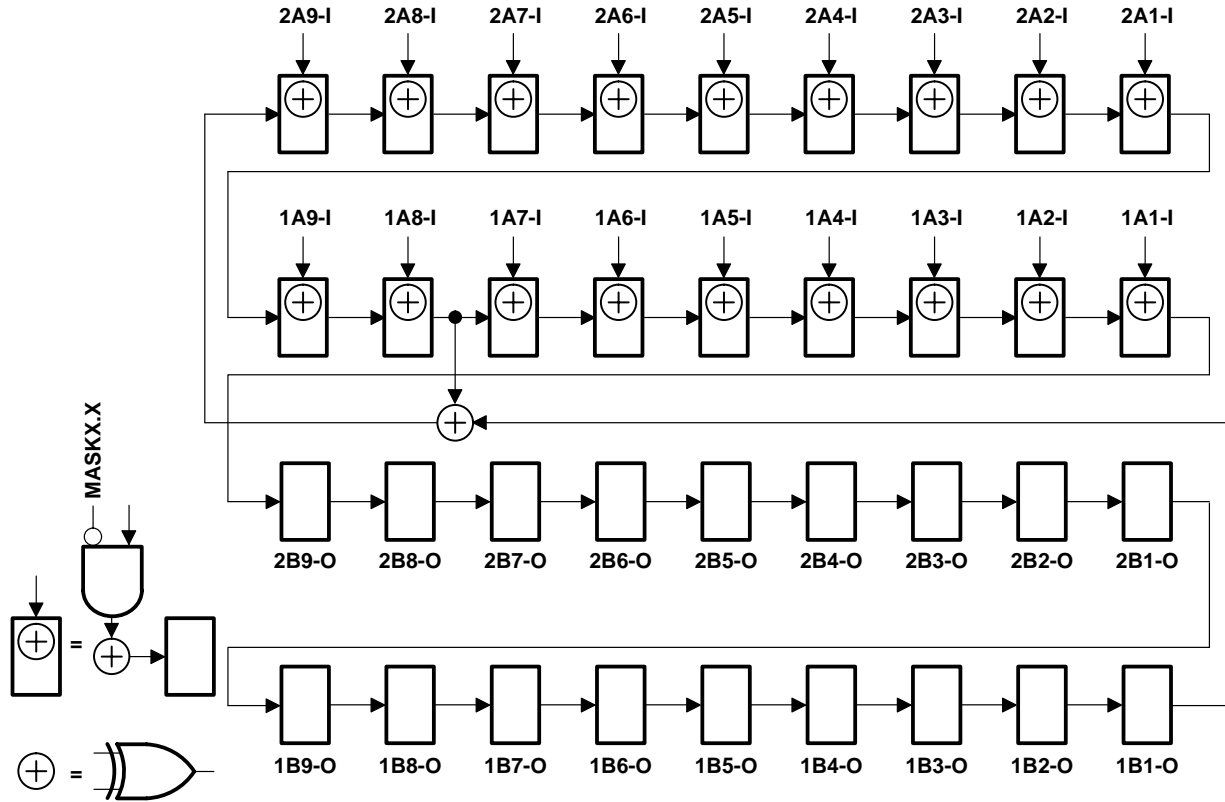


Figure 6. 36-Bit PSA Configuration ($1\overline{OEAB} = 2\overline{OEAB} = 0$, $1\overline{OEBA} = 2\overline{OEBA} = 1$)

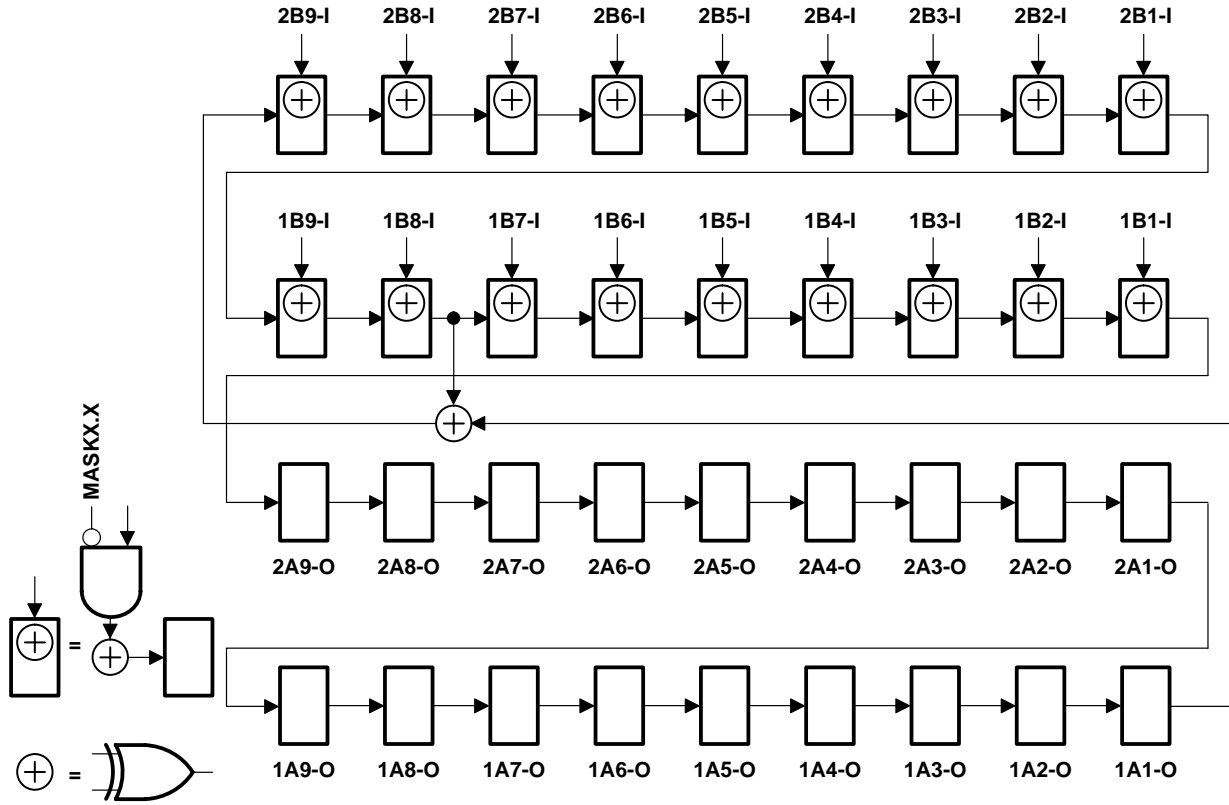


Figure 7. 36-Bit PSA Configuration ($\overline{1OEAB} = \overline{2OEAB} = 1$, $\overline{1OEBA} = \overline{2OEBA} = 0$)

SN74ABT18502
SCAN TEST DEVICE
WITH 18-BIT REGISTERED BUS TRANSCEIVER

SCBS753 – FEBRUARY 2002

simultaneous PSA and PRPG (PSA/PRPG)

Data appearing at the selected device input pins is compressed into an 18-bit parallel signature in the shift-register elements of the selected input BSCs on each rising edge of TCK. This data is updated in the shadow latches of the selected input BSCs and applied to the inputs of the normal on-chip logic. At the same time, an 18-bit pseudorandom pattern is generated in the shift-register elements of the selected output BSCs on each rising edge of TCK, updated in the shadow latches, and applied to the associated device output pins on each falling edge of TCK. Figures 8 and 9 show the 18-bit linear-feedback shift-register algorithms through which the signature and patterns are generated. An initial seed value should be scanned into the BSR prior to performing this operation. A seed value of all zeroes does not produce additional patterns.

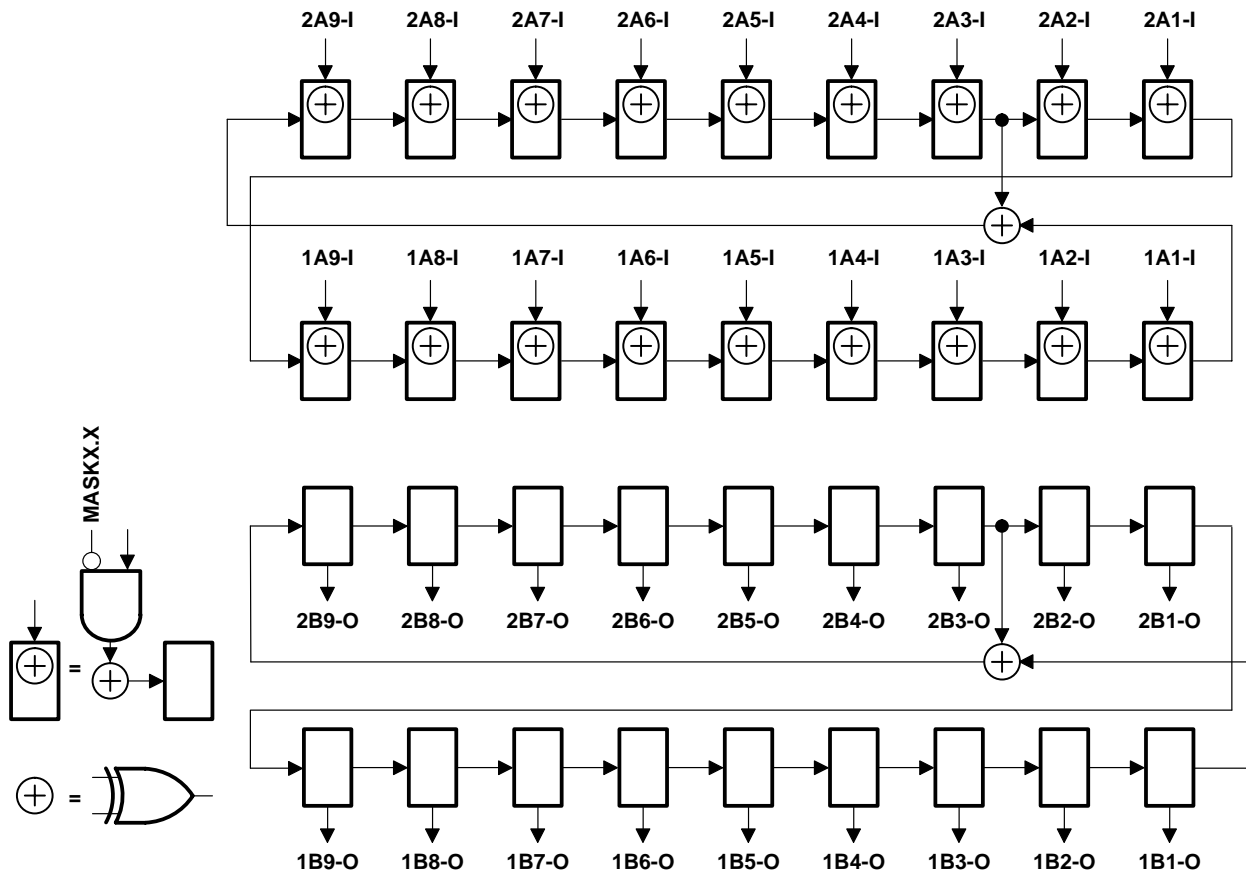


Figure 8. 18-Bit PSA/PRPG Configuration ($\overline{1OEAB} = \overline{2OEAB} = 0$, $\overline{1OEBA} = \overline{2OEBA} = 1$)

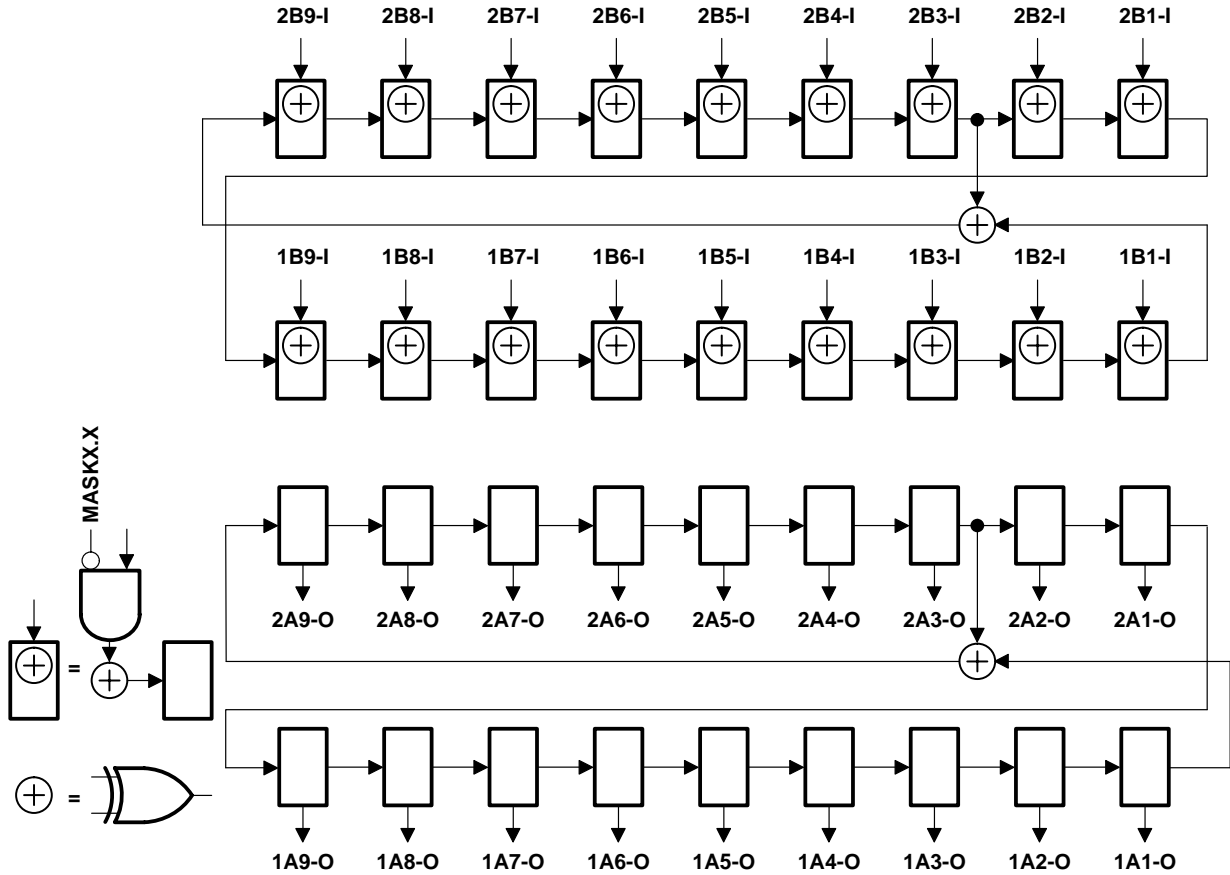


Figure 9. 18-Bit PSA/PRPG Configuration ($1\overline{OEAB} = 2\overline{OEAB} = 1, 1\overline{OEBA} = 2\overline{OEBA} = 0$)

SN74ABT18502
SCAN TEST DEVICE
WITH 18-BIT REGISTERED BUS TRANSCEIVER

SCBS753 – FEBRUARY 2002

simultaneous PSA and COUNT (PSA/COUNT)

Data appearing at the selected device input pins is compressed into an 18-bit parallel signature in the shift-register elements of the selected input BSCs on each rising edge of TCK. This data is updated in the shadow latches of the selected input BSCs and applied to the inputs of the normal on-chip logic. At the same time, an 18-bit binary count-up pattern is generated in the shift-register elements of the selected output BSCs on each rising edge of TCK, updated in the shadow latches, and applied to the associated device output pins on each falling edge of TCK. Figures 10 and 11 show the 18-bit linear-feedback shift-register algorithms through which the signature is generated. An initial seed value should be scanned into the BSR prior to performing this operation.

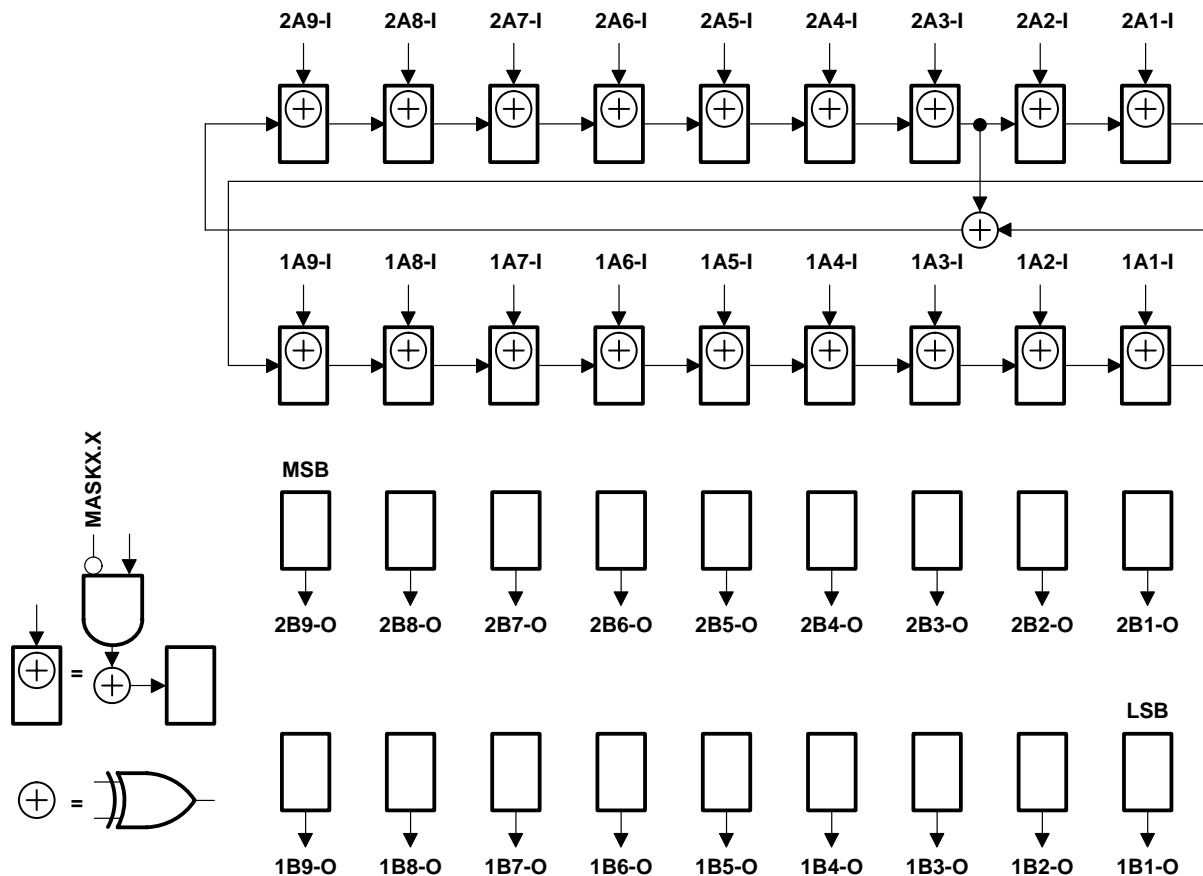


Figure 10. 18-Bit PSA/COUNT Configuration ($\overline{1OEAB} = \overline{2OEAB} = 0$, $\overline{1OEBA} = \overline{2OEBA} = 1$)

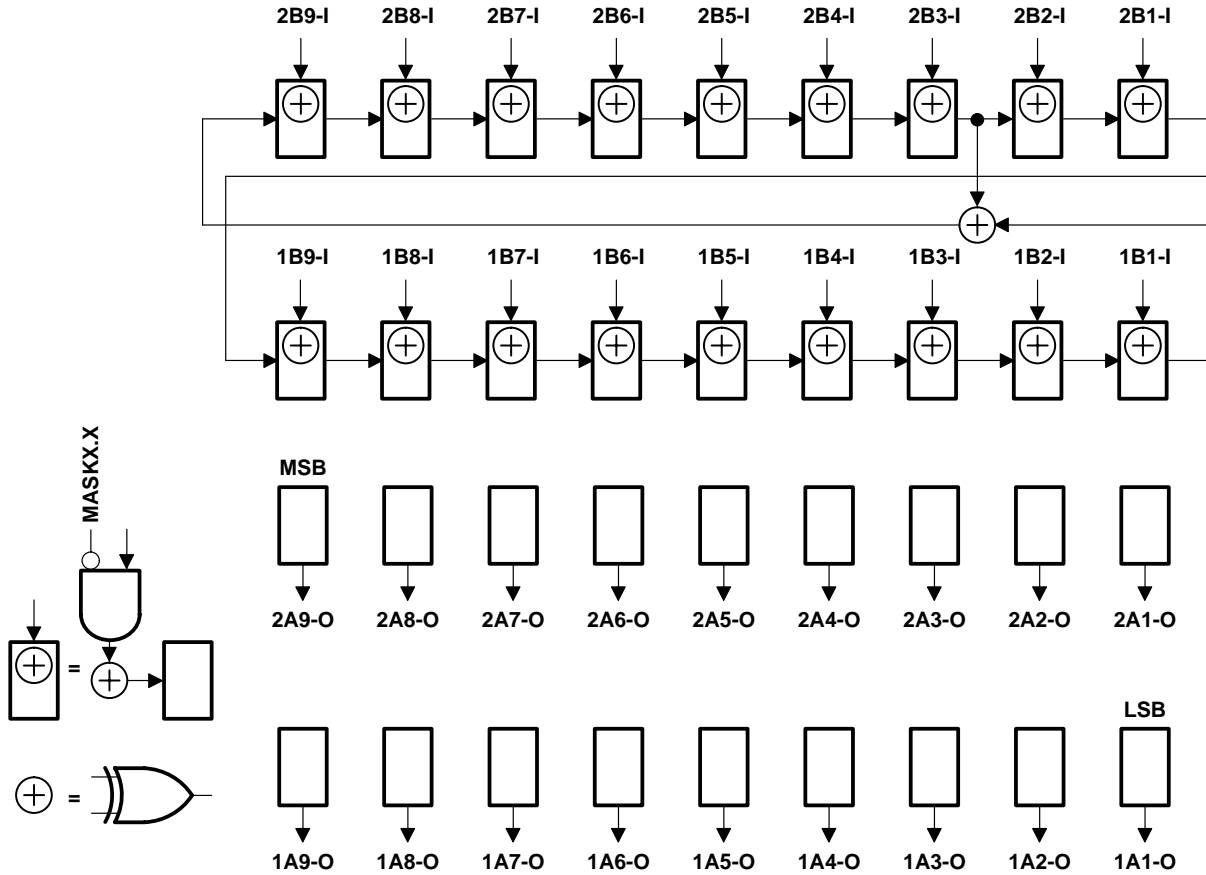


Figure 11. 18-Bit PSA/COUNT Configuration ($\overline{1OEAB} = \overline{2OEAB} = 1$, $\overline{1OEBA} = \overline{2OEBA} = 0$)

SN74ABT18502 SCAN TEST DEVICE WITH 18-BIT REGISTERED BUS TRANSCEIVER

SCBS753 – FEBRUARY 2002

timing description

All test operations of the SN74ABT18502 are synchronous to the TCK signal. Data on the TDI, TMS, and normal-function inputs is captured on the rising edge of TCK. Data appears on the TDO and normal-function output pins on the falling edge of TCK. The TAP controller is advanced through its states (as shown in Figure 1) by changing the value of TMS on the falling edge of TCK and then applying a rising edge to TCK.

A simple timing example is shown in Figure 12. In this example, the TAP controller begins in the Test-Logic-Reset state and is advanced through its states as necessary to perform one IR scan and one DR scan. While in the Shift-IR and Shift-DR states, TDI is used to input serial data and TDO is used to output serial data. The TAP controller then is returned to the Test-Logic-Reset state. Table 6 explains the operation of the test circuitry during each TCK cycle.

Table 6. Explanation of Timing Example

| TCK CYCLE(S) | TAP STATE AFTER TCK | DESCRIPTION |
|--------------|---------------------|---|
| 1 | Test-Logic-Reset | TMS is changed to a logic-0 value on the falling edge of TCK to begin advancing the TAP controller toward the desired state. |
| 2 | Run-Test/Idle | |
| 3 | Select-DR-Scan | |
| 4 | Select-IR-Scan | |
| 5 | Capture-IR | The IR captures the 8-bit binary value 10000001 on the rising edge of TCK as the TAP controller exits the Capture-IR state. |
| 6 | Shift-IR | TDO becomes active and TDI is made valid on the falling edge of TCK. The first bit is shifted into the TAP on the rising edge of TCK as the TAP controller advances to the next state. |
| 7–13 | Shift-IR | One bit is shifted into the IR on each TCK rising edge. With TDI held at a logic-1 value, the 8-bit binary value 11111111 is serially scanned into the IR. At the same time, the 8-bit binary value 10000001 is serially scanned out of the IR via TDO. In TCK cycle 13, TMS is changed to a logic-1 value to end the IR scan on the next TCK cycle. The last bit of the instruction is shifted as the TAP controller advances from Shift-IR to Exit1-IR. |
| 14 | Exit1-IR | TDO becomes inactive (goes to the high-impedance state) on the falling edge of TCK. |
| 15 | Update-IR | The IR is updated with the new instruction (BYPASS) on the falling edge of TCK. |
| 16 | Select-DR-Scan | |
| 17 | Capture-DR | The bypass register captures a logic-0 value on the rising edge of TCK as the TAP controller exits the Capture-DR state. |
| 18 | Shift-DR | TDO becomes active and TDI is made valid on the falling edge of TCK. The first bit is shifted into the TAP on the rising edge of TCK as the TAP controller advances to the next state. |
| 19–20 | Shift-DR | The binary value 101 is shifted in via TDI, while the binary value 010 is shifted out via TDO. |
| 21 | Exit1-DR | TDO becomes inactive (goes to the high-impedance state) on the falling edge of TCK. |
| 22 | Update-DR | In general, the selected DR is updated with the new data on the falling edge of TCK. |
| 23 | Select-DR-Scan | |
| 24 | Select-IR-Scan | |
| 25 | Test-Logic-Reset | Test operation completed |



SN74ABT18502
SCAN TEST DEVICE
WITH 18-BIT REGISTERED BUS TRANSCEIVER

SCBS753 – FEBRUARY 2002

recommended operating conditions (see Note 3)

| | | MIN | MAX | UNIT |
|-----------------|------------------------------------|-----|-----------------|------|
| V _{CC} | Supply voltage | 4.5 | 5.5 | V |
| V _{IH} | High-level input voltage | 2 | | V |
| V _{IL} | Low-level input voltage | | 0.8 | V |
| V _I | Input voltage | 0 | V _{CC} | V |
| I _{OH} | High-level output current | | -32 | mA |
| I _{OL} | Low-level output current | | 64 | mA |
| Δt/Δv | Input transition rise or fall rate | | 10 | ns/V |
| T _A | Operating free-air temperature | -40 | 85 | °C |

NOTE 3: All unused inputs of the device must be held at V_{CC} or GND to ensure proper device operation. Refer to the TI application report, *Implications of Slow or Floating CMOS Inputs*, literature number SCBA004.

electrical characteristics over recommended operating free-air temperature range (unless otherwise noted)

| PARAMETER | TEST CONDITIONS | | T _A = 25°C | | | MIN | MAX | UNIT | |
|--------------------|--|--|--------------------------------|------|------|---------------|----------|------|----|
| | | | MIN | TYP† | MAX | | | | |
| V _{IK} | V _{CC} = 4.5 V, | I _I = -18 mA | | | -1.2 | | -1.2 | V | |
| V _{OH} | V _{CC} = 4.5 V, | I _{OH} = -3 mA | 2.5 | | | 2.5 | | V | |
| | V _{CC} = 5 V, | I _{OH} = -3 mA | 3 | | | 3 | | | |
| | V _{CC} = 4.5 V, | I _{OH} = -24 mA | 2 | | | 2 | | | |
| | V _{CC} = 4.5 V, | I _{OH} = -32 mA | 2 | | | | | | |
| V _{OL} | V _{CC} = 4.5 V | I _{OL} = 48 mA | | | | 0.55 | 0.55 | V | |
| | | I _{OL} = 64 mA | | | | 0.55 | | | |
| I _I | V _{CC} = 5.5 V, | V _I = V _{CC} or GND | CLK, LE, \overline{OE} , TCK | | | ±1 | ±1 | μA | |
| | | | A or B ports | | | ±100 | ±100 | | |
| I _{IH} | V _{CC} = 5.5 V, | V _I = V _{CC} | TDI, TMS | | | 10 | 10 | μA | |
| I _{IL} | V _{CC} = 5.5 V, | V _I = GND | TDI, TMS | | | -150 | -150 | μA | |
| I _{OZH} ‡ | V _{CC} = 5.5 V, | V _O = 2.7 V | | | | 50 | 50 | μA | |
| I _{OZL} ‡ | V _{CC} = 5.5 V, | V _O = 0.5 V | | | | -50 | -50 | μA | |
| I _{OZPU} | V _{CC} = 0 to 2 V, | V _O = 2.7 V or 0.5 V, \overline{OE} = 0.8 V | | | | ±50 | ±50 | μA | |
| I _{OZPD} | V _{CC} = 2 V to 0, | V _O = 2.7 V or 0.5 V, \overline{OE} = 0.8 V | | | | ±50 | ±50 | μA | |
| I _{off} | V _{CC} = 0, | V _I or V _O ≤ 4.5 V | | | | ±100 | ±450 | μA | |
| I _{CEX} | V _{CC} = 5.5 V, | V _O = 5.5 V | Outputs high | | | 50 | 50 | μA | |
| I _O § | V _{CC} = 5.5 V, | V _O = 2.5 V | | | | -50 -110 -200 | -50 -200 | mA | |
| I _{CC} | V _{CC} = 5.5 V, I _O = 0, V _I = V _{CC} or GND | A or B ports | Outputs high | | | 3.5 | 5.5 | 5.5 | mA |
| | | | Outputs low | | | 33 | 38 | 38 | |
| | | | Outputs disabled | | | 2.9 | 5 | 5 | |
| ΔI _{CC} ¶ | V _{CC} = 5.5 V, One input at 3.4 V, Other inputs at V _{CC} or GND | | | | | 50 | 50 | μA | |
| C _i | V _I = 2.5 V or 0.5 V | Control inputs | | | | 3 | | pF | |
| C _{io} | V _O = 2.5 V or 0.5 V | A or B ports | | | | 10 | | pF | |
| C _o | V _O = 2.5 V or 0.5 V | TDO | | | | 8 | | pF | |

† All typical values are at V_{CC} = 5 V.

‡ The parameters I_{OZH} and I_{OZL} include the input leakage current.

§ Not more than one output should be tested at a time, and the duration of the test should not exceed one second.

¶ This is the increase in supply current for each input that is at the specified TTL voltage level rather than V_{CC} or GND.



timing requirements over recommended ranges of supply voltage and operating free-air temperature (unless otherwise noted) (normal mode) (see Figure 13)

| | | | MIN | MAX | UNIT |
|--------------------|-----------------|--|----------|-----|------|
| f_{clock} | Clock frequency | CLKAB or CLKBA | 0 | 100 | MHz |
| t_w | Pulse duration | CLKAB or CLKBA high or low | 3.5 | | ns |
| | | LEAB or LEBA high | 3.5 | | |
| t_{su} | Setup time | A before CLKAB \uparrow or B before CLKBA \uparrow | 4 | | ns |
| | | A before LEAB \downarrow or B before LEBA \downarrow | CLK high | 3.5 | |
| | | | CLK low | 2 | |
| t_h | Hold time | A after CLKAB \uparrow or B after CLKBA \uparrow | 0 | | ns |
| | | A after LEAB \downarrow or B after LEBA \downarrow | 2 | | |

timing requirements over recommended ranges of supply voltage and operating free-air temperature (unless otherwise noted) (test mode) (see Figure 13)

| | | | MIN | MAX | UNIT |
|--------------------|-----------------|--|-----|-----|---------------|
| f_{clock} | Clock frequency | TCK | 0 | 50 | MHz |
| t_w | Pulse duration | TCK high or low | 8 | | ns |
| t_{su} | Setup time | A, B, CLK, LE, or $\overline{\text{OE}}$ before TCK \uparrow | 4.5 | | ns |
| | | TDI before TCK \uparrow | 7.5 | | |
| | | TMS before TCK \uparrow | 3 | | |
| t_h | Hold time | A, B, CLK, LE, or $\overline{\text{OE}}$ after TCK \uparrow | 0.5 | | ns |
| | | TDI after TCK \uparrow | 0.5 | | |
| | | TMS after TCK \uparrow | 0.5 | | |
| t_d | Delay time | Power up to TCK \uparrow | 50 | | ns |
| t_r | Rise time | V_{CC} power up | 1 | | μs |

switching characteristics over recommended ranges of supply voltage and operating free-air temperature (unless otherwise noted) (normal mode) (see Figure 13)

| PARAMETER | FROM (INPUT) | TO (OUTPUT) | $V_{\text{CC}} = 5 \text{ V}, T_A = 25^\circ\text{C}$ | | | MIN | MAX | UNIT |
|------------------|--|-------------|---|-----|-----|-----|-----|------|
| | | | MIN | TYP | MAX | | | |
| f_{max} | CLKAB or CLKBA | | 100 | 130 | | 100 | | MHz |
| t_{PLH} | A or B | B or A | 2 | 3.8 | 5.6 | 2 | 6 | ns |
| t_{PHL} | | | 2 | 3.8 | 5.6 | 2 | 6 | |
| t_{PLH} | CLKAB or CLKBA | B or A | 2.5 | 4.7 | 5.7 | 2.5 | 6 | ns |
| t_{PHL} | | | 2.5 | 4.7 | 5.7 | 2.5 | 6 | |
| t_{PLH} | LEAB or LEBA | B or A | 2.5 | 4.9 | 6.4 | 2.5 | 7 | ns |
| t_{PHL} | | | 2.5 | 4.9 | 6.5 | 2.5 | 7 | |
| t_{PZH} | $\overline{\text{OEAB}}$ or $\overline{\text{OEBA}}$ | B or A | 2 | 4.9 | 6.3 | 2 | 7 | ns |
| t_{PZL} | | | 2.5 | 5.6 | 7.2 | 2.5 | 8 | |
| t_{PHZ} | $\overline{\text{OEAB}}$ or $\overline{\text{OEBA}}$ | B or A | 3 | 6.1 | 7.8 | 3 | 8.8 | ns |
| t_{PLZ} | | | 2.5 | 4.8 | 6.5 | 2.5 | 7.3 | |

SN74ABT18502
SCAN TEST DEVICE
WITH 18-BIT REGISTERED BUS TRANSCEIVER

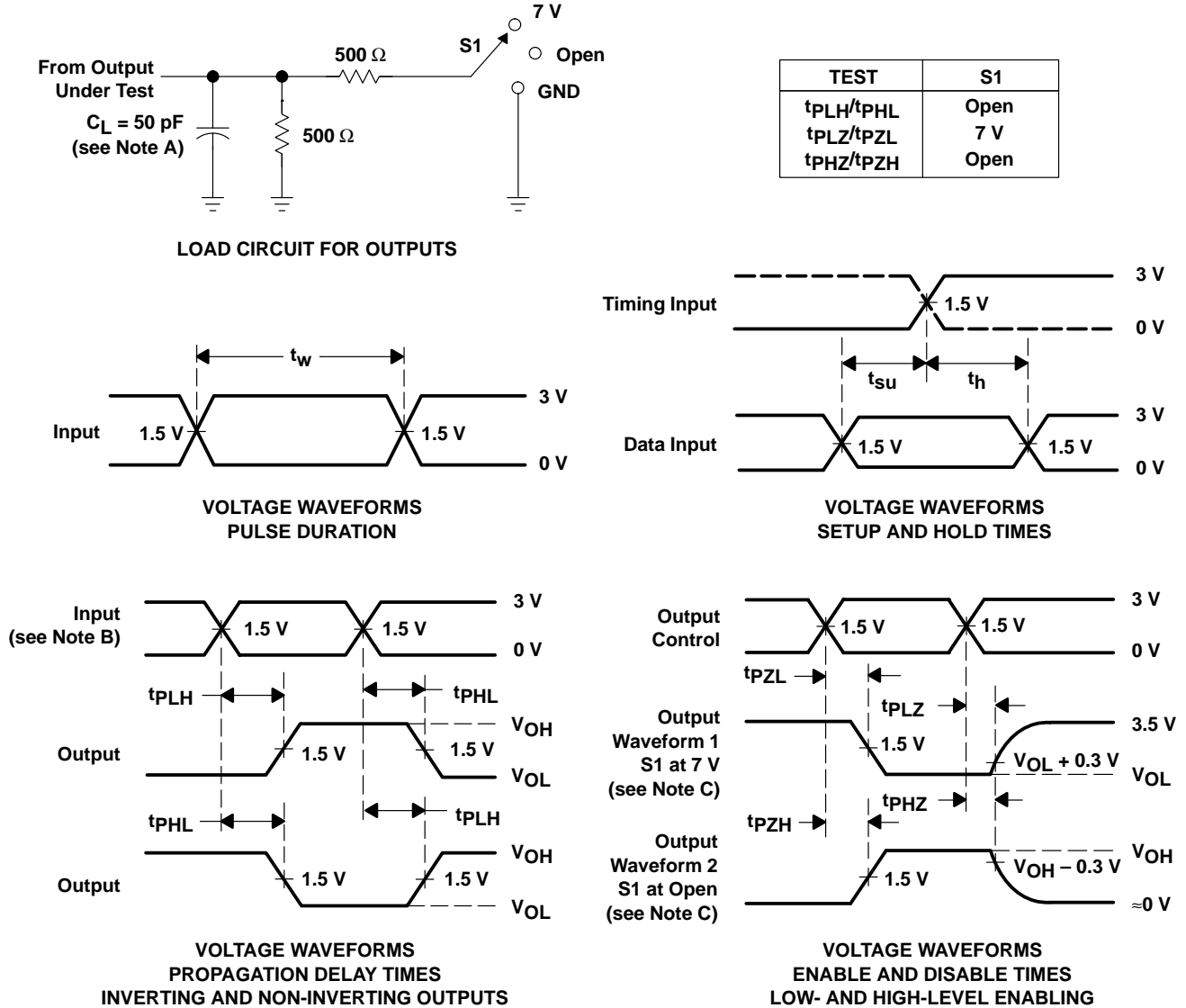
SCBS753 – FEBRUARY 2002

switching characteristics over recommended ranges of supply voltage and operating free-air temperature (unless otherwise noted) (test mode) (see Figure 13)

| PARAMETER | FROM (INPUT) | TO (OUTPUT) | V _{CC} = 5 V, T _A = 25°C | | | MIN | MAX | UNIT |
|------------------|--------------|-------------|---|------|------|-----|------|------|
| | | | MIN | TYP | MAX | | | |
| f _{max} | TCK | | 50 | 90 | | 50 | | MHz |
| t _{PLH} | TCK↓ | A or B | 2.5 | 9.1 | 11.4 | 2.5 | 13.5 | ns |
| t _{PHL} | | | 2.5 | 9.1 | 10.8 | 2.5 | 12.4 | |
| t _{PLH} | TCK↓ | TDO | 2 | 3.8 | 5.1 | 2 | 5.6 | ns |
| t _{PHL} | | | 2 | 3.8 | 5.3 | 2 | 6 | |
| t _{PZH} | TCK↓ | A or B | 4.5 | 9.5 | 11.5 | 4.5 | 13.4 | ns |
| t _{PZL} | | | 5 | 10.1 | 12.2 | 5 | 14 | |
| t _{PZH} | TCK↓ | TDO | 2.5 | 4.6 | 5.9 | 2.5 | 6.8 | ns |
| t _{PZL} | | | 3 | 5.2 | 6.8 | 3 | 7.5 | |
| t _{PHZ} | TCK↓ | A or B | 4 | 11.6 | 14.3 | 4 | 16.3 | ns |
| t _{PLZ} | | | 3.5 | 11.1 | 13.6 | 3.5 | 15.3 | |
| t _{PHZ} | TCK↓ | TDO | 3 | 5.3 | 7.2 | 3 | 7.6 | ns |
| t _{PLZ} | | | 3 | 5.2 | 6.8 | 3 | 7.6 | |



PARAMETER MEASUREMENT INFORMATION



- NOTES: A. C_L includes probe and jig capacitance.
 B. All input pulses are supplied by generators having the following characteristics: $PRR \leq 10$ MHz, $Z_O = 50 \Omega$, $t_r \leq 2.5$ ns, $t_f \leq 2.5$ ns.
 C. Waveform 1 is for an output with internal conditions such that the output is low except when disabled by the output control. Waveform 2 is for an output with internal conditions such that the output is high except when disabled by the output control.
 D. The outputs are measured one at a time with one transition per measurement.

Figure 13. Load Circuit and Voltage Waveforms

PACKAGING INFORMATION

| Orderable part number | Status (1) | Material type (2) | Package Pins | Package qty Carrier | RoHS (3) | Lead finish/ Ball material (4) | MSL rating/ Peak reflow (5) | Op temp (°C) | Part marking (6) |
|---------------------------------|---------------|----------------------|----------------|-------------------------|-------------|--------------------------------------|-----------------------------------|--------------|---------------------|
| SN74ABT18502PM | Active | Production | LQFP (PM) 64 | 160 JEDEC TRAY (10+1) | Yes | NIPDAU | Level-3-260C-168 HR | -40 to 85 | ABT18502 |
| SN74ABT18502PM.B | Active | Production | LQFP (PM) 64 | 160 JEDEC TRAY (10+1) | Yes | NIPDAU | Level-3-260C-168 HR | -40 to 85 | ABT18502 |
| SN74ABT18502PMG4 | Active | Production | LQFP (PM) 64 | 160 JEDEC TRAY (10+1) | Yes | NIPDAU | Level-3-260C-168 HR | -40 to 85 | ABT18502 |
| SN74ABT18502PMG4.B | Active | Production | LQFP (PM) 64 | 160 JEDEC TRAY (10+1) | Yes | NIPDAU | Level-3-260C-168 HR | -40 to 85 | ABT18502 |
| SN74ABT18502PMR | Active | Production | LQFP (PM) 64 | 1000 LARGE T&R | Yes | NIPDAU | Level-3-260C-168 HR | -40 to 85 | ABT18502 |
| SN74ABT18502PMR.B | Active | Production | LQFP (PM) 64 | 1000 LARGE T&R | Yes | NIPDAU | Level-3-260C-168 HR | -40 to 85 | ABT18502 |

(1) **Status:** For more details on status, see our [product life cycle](#).

(2) **Material type:** When designated, preproduction parts are prototypes/experimental devices, and are not yet approved or released for full production. Testing and final process, including without limitation quality assurance, reliability performance testing, and/or process qualification, may not yet be complete, and this item is subject to further changes or possible discontinuation. If available for ordering, purchases will be subject to an additional waiver at checkout, and are intended for early internal evaluation purposes only. These items are sold without warranties of any kind.

(3) **RoHS values:** Yes, No, RoHS Exempt. See the [TI RoHS Statement](#) for additional information and value definition.

(4) **Lead finish/Ball material:** Parts may have multiple material finish options. Finish options are separated by a vertical ruled line. Lead finish/Ball material values may wrap to two lines if the finish value exceeds the maximum column width.

(5) **MSL rating/Peak reflow:** The moisture sensitivity level ratings and peak solder (reflow) temperatures. In the event that a part has multiple moisture sensitivity ratings, only the lowest level per JEDEC standards is shown. Refer to the shipping label for the actual reflow temperature that will be used to mount the part to the printed circuit board.

(6) **Part marking:** There may be an additional marking, which relates to the logo, the lot trace code information, or the environmental category of the part.

Multiple part markings will be inside parentheses. Only one part marking contained in parentheses and separated by a "-" will appear on a part. If a line is indented then it is a continuation of the previous line and the two combined represent the entire part marking for that device.

Important Information and Disclaimer: The information provided on this page represents TI's knowledge and belief as of the date that it is provided. TI bases its knowledge and belief on information provided by third parties, and makes no representation or warranty as to the accuracy of such information. Efforts are underway to better integrate information from third parties. TI has taken and continues to take reasonable steps to provide representative

and accurate information but may not have conducted destructive testing or chemical analysis on incoming materials and chemicals. TI and TI suppliers consider certain information to be proprietary, and thus CAS numbers and other limited information may not be available for release.

In no event shall TI's liability arising out of such information exceed the total purchase price of the TI part(s) at issue in this document sold by TI to Customer on an annual basis.

OTHER QUALIFIED VERSIONS OF SN74ABT18502 :

- Military : [SN54ABT18502](#)

NOTE: Qualified Version Definitions:

- Military - QML certified for Military and Defense Applications

TAPE AND REEL INFORMATION

QUADRANT ASSIGNMENTS FOR PIN 1 ORIENTATION IN TAPE

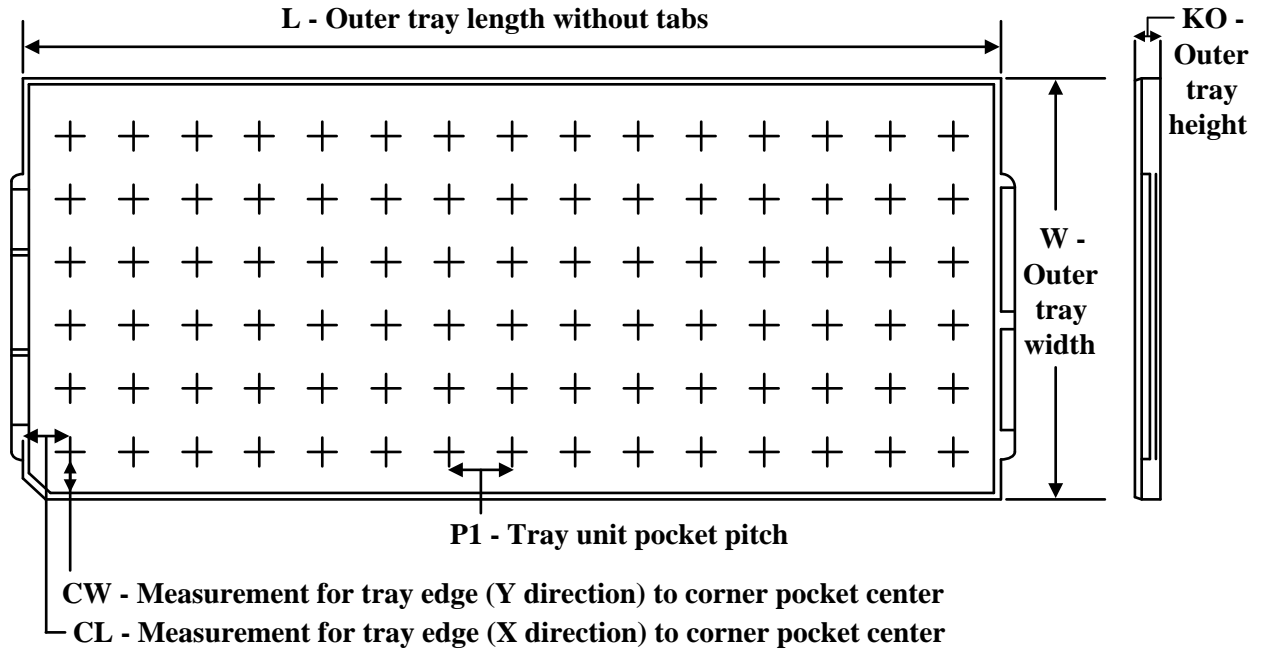

*All dimensions are nominal

| Device | Package Type | Package Drawing | Pins | SPQ | Reel Diameter (mm) | Reel Width W1 (mm) | A0 (mm) | B0 (mm) | K0 (mm) | P1 (mm) | W (mm) | Pin1 Quadrant |
|-----------------|--------------|-----------------|------|------|--------------------|--------------------|---------|---------|---------|---------|--------|---------------|
| SN74ABT18502PMR | LQFP | PM | 64 | 1000 | 330.0 | 24.4 | 13.0 | 13.0 | 2.1 | 16.0 | 24.0 | Q2 |

TAPE AND REEL BOX DIMENSIONS


*All dimensions are nominal

| Device | Package Type | Package Drawing | Pins | SPQ | Length (mm) | Width (mm) | Height (mm) |
|-----------------|--------------|-----------------|------|------|-------------|------------|-------------|
| SN74ABT18502PMR | LQFP | PM | 64 | 1000 | 350.0 | 350.0 | 43.0 |

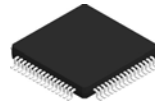
TRAY


Chamfer on Tray corner indicates Pin 1 orientation of packed units.

*All dimensions are nominal

| Device | Package Name | Package Type | Pins | SPQ | Unit array matrix | Max temperature (°C) | L (mm) | W (mm) | K0 (µm) | P1 (mm) | CL (mm) | CW (mm) |
|--------------------|--------------|--------------|------|-----|-------------------|----------------------|--------|--------|---------|---------|---------|---------|
| SN74ABT18502PM | PM | LQFP | 64 | 160 | 8 X 20 | 150 | 315 | 135.9 | 7620 | 15.2 | 13.1 | 13 |
| SN74ABT18502PM.B | PM | LQFP | 64 | 160 | 8 X 20 | 150 | 315 | 135.9 | 7620 | 15.2 | 13.1 | 13 |
| SN74ABT18502PMG4.B | PM | LQFP | 64 | 160 | 8 X 20 | 150 | 315 | 135.9 | 7620 | 15.2 | 13.1 | 13 |

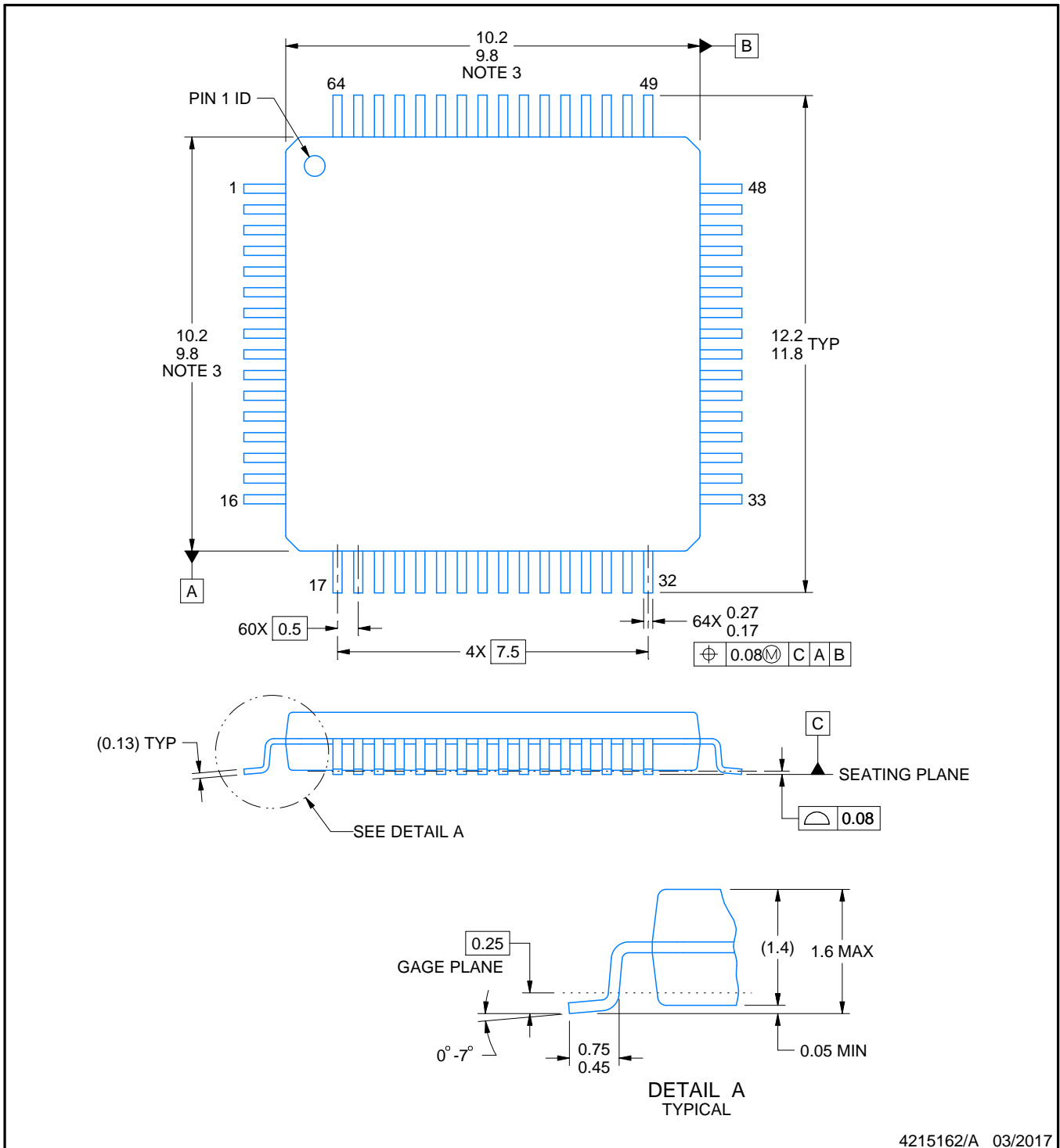
PM0064A



PACKAGE OUTLINE

LQFP - 1.6 mm max height

PLASTIC QUAD FLATPACK



NOTES:

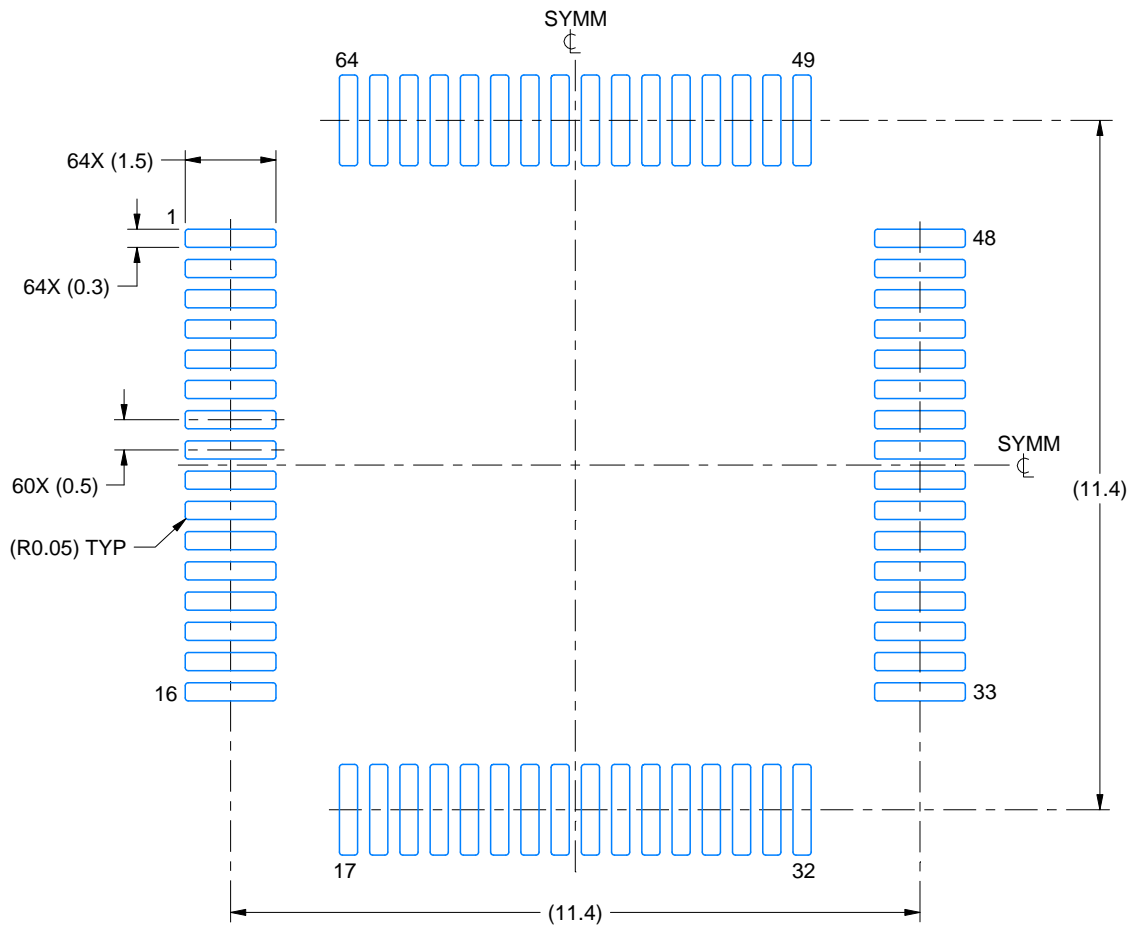
1. All linear dimensions are in millimeters. Any dimensions in parenthesis are for reference only. Dimensioning and tolerancing per ASME Y14.5M.
2. This drawing is subject to change without notice.
3. This dimension does not include mold flash, protrusions, or gate burrs. Mold flash, protrusions, or gate burrs shall not exceed 0.15 mm per side.
4. Reference JEDEC registration MS-026.

EXAMPLE BOARD LAYOUT

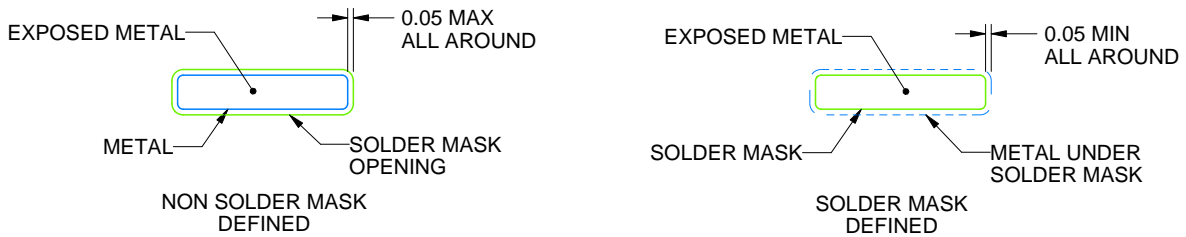
PM0064A

LQFP - 1.6 mm max height

PLASTIC QUAD FLATPACK



LAND PATTERN EXAMPLE
EXPOSED METAL SHOWN
SCALE:8X



SOLDER MASK DETAILS

4215162/A 03/2017

NOTES: (continued)

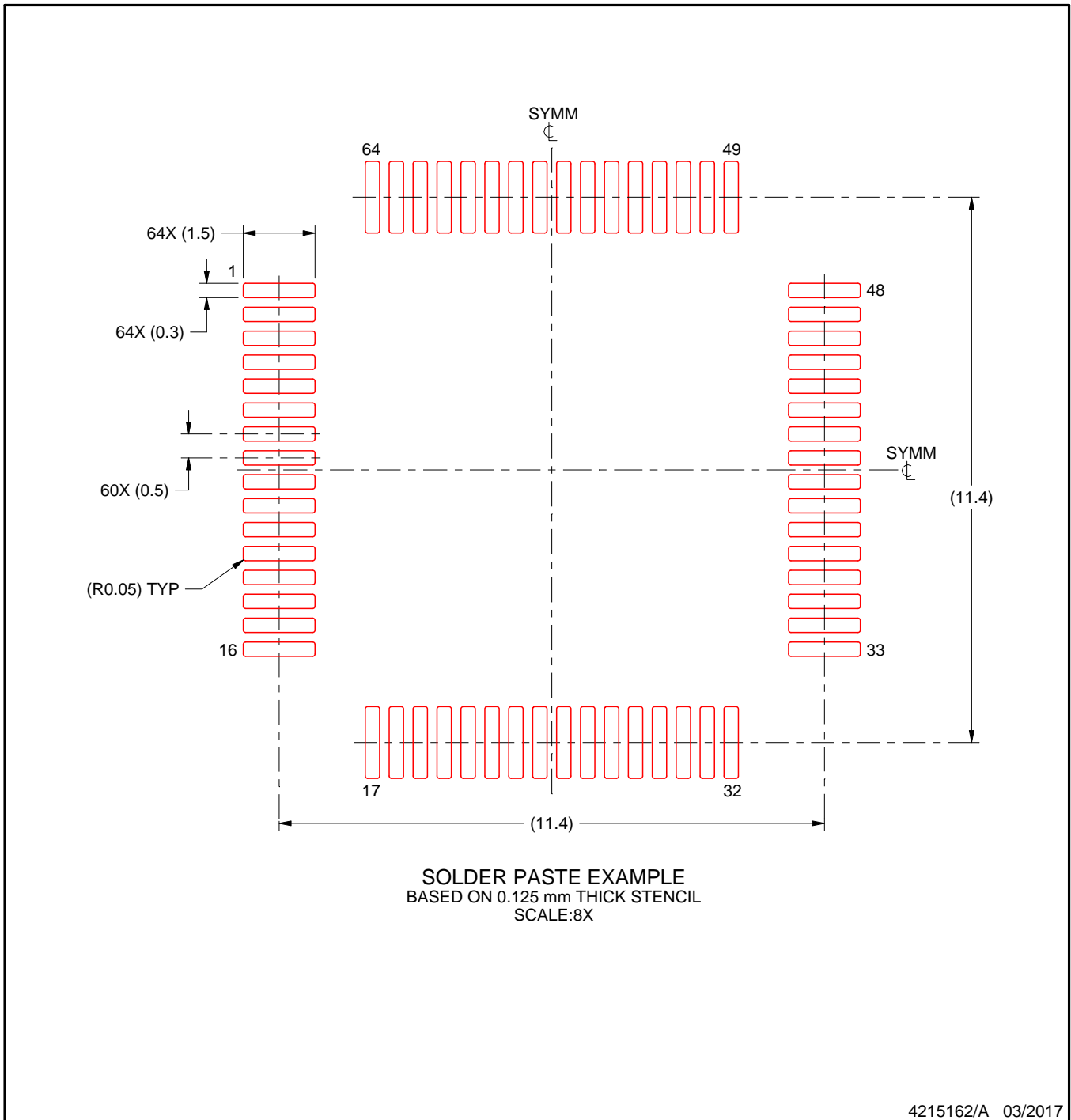
5. Publication IPC-7351 may have alternate designs.
6. Solder mask tolerances between and around signal pads can vary based on board fabrication site.
7. For more information, see Texas Instruments literature number SLMA004 (www.ti.com/lit/slma004).

EXAMPLE STENCIL DESIGN

PM0064A

LQFP - 1.6 mm max height

PLASTIC QUAD FLATPACK



NOTES: (continued)

8. Laser cutting apertures with trapezoidal walls and rounded corners may offer better paste release. IPC-7525 may have alternate design recommendations.
9. Board assembly site may have different recommendations for stencil design.

IMPORTANT NOTICE AND DISCLAIMER

TI PROVIDES TECHNICAL AND RELIABILITY DATA (INCLUDING DATA SHEETS), DESIGN RESOURCES (INCLUDING REFERENCE DESIGNS), APPLICATION OR OTHER DESIGN ADVICE, WEB TOOLS, SAFETY INFORMATION, AND OTHER RESOURCES "AS IS" AND WITH ALL FAULTS, AND DISCLAIMS ALL WARRANTIES, EXPRESS AND IMPLIED, INCLUDING WITHOUT LIMITATION ANY IMPLIED WARRANTIES OF MERCHANTABILITY, FITNESS FOR A PARTICULAR PURPOSE OR NON-INFRINGEMENT OF THIRD PARTY INTELLECTUAL PROPERTY RIGHTS.

These resources are intended for skilled developers designing with TI products. You are solely responsible for (1) selecting the appropriate TI products for your application, (2) designing, validating and testing your application, and (3) ensuring your application meets applicable standards, and any other safety, security, regulatory or other requirements.

These resources are subject to change without notice. TI grants you permission to use these resources only for development of an application that uses the TI products described in the resource. Other reproduction and display of these resources is prohibited. No license is granted to any other TI intellectual property right or to any third party intellectual property right. TI disclaims responsibility for, and you will fully indemnify TI and its representatives against, any claims, damages, costs, losses, and liabilities arising out of your use of these resources.

TI's products are provided subject to [TI's Terms of Sale](#) or other applicable terms available either on [ti.com](https://www.ti.com) or provided in conjunction with such TI products. TI's provision of these resources does not expand or otherwise alter TI's applicable warranties or warranty disclaimers for TI products.

TI objects to and rejects any additional or different terms you may have proposed.

Mailing Address: Texas Instruments, Post Office Box 655303, Dallas, Texas 75265

Copyright © 2025, Texas Instruments Incorporated