

## TPS27S100x 40-V, 4-A, 80-mΩ Single-Channel High-Side Switch

### 1 Features

- 80-mΩ Single-channel High-side switch with full diagnostics
  - TPS27S100A: Open-drain status output
  - TPS27S100B: Current monitor analog output
- Wide operating voltage 3.5 V to 40 V
- Very-low standby current, <math><0.5 \mu\text{A}</math>
- Operating junction temperature,  $-40$  to  $150^{\circ}\text{C}$
- Input control, 3.3-V and 5-V logic compatible
- High-accuracy current monitor,  $\pm 30$  mA at 1 A
- Adjustable current limit (0.5-A to 6-A) with external resistor,  $\pm 20\%$  at 0.5 A
- Diagnostic enable function for multiplexing of MCU, analog or digital interface
- Excellent ESD protection on IN and OUT pins
  - $\pm 16$  kV IEC 61000-4-2 ESD contact discharge
  - $\pm 4$  kV IEC 61000-4-4 Electrical fast transient
  - $\pm 1.0$  kV/42  $\Omega$  IEC 61000-4-5 Surge
- Protection
  - Overload and short-circuit-to-GND protection
  - Inductive load negative voltage clamp
  - Undervoltage lockout (UVLO) protection
  - Thermal shutdown and swing with self recovery
  - Loss of GND protection
- Diagnostic
  - On- and Off-State output Open-Load / short to supply detection
  - Overload and short to ground detection
  - Thermal shutdown and swing detection
- Thermally-Enhanced 14-Pin PWP or 16-Pin QFN package

### 2 Applications

- Programmable logic controller
- Building automation
- Telecom/networks

### 3 Description

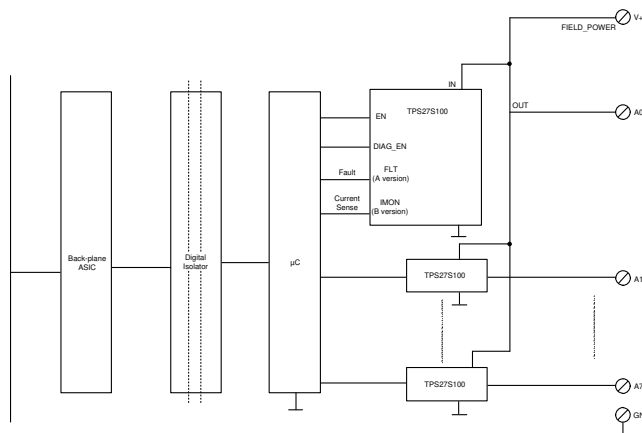
The TPS27S100x is a single-channel, fully-protected, high-side switch with an integrated NMOS and charge pump. Full diagnostics and high-accuracy current-monitor features enable intelligent control of the load. An adjustable current-limit function greatly improves the reliability of the whole system. The device diagnostic reporting has two versions to support both digital fault status and analog current monitor output. Accurate current monitor and adjustable current limit features differentiate it from the market.

#### Device Information<sup>(1)</sup>

PART NUMBER	PACKAGE	BODY SIZE (NOM)
TPS27S100x	HTSSOP (14)	4.40 mm x 5.00 mm
	QFN (16)	4.00 mm x 3.5 mm

(1) For all available packages, see the orderable addendum at the end of the data sheet.

#### Typical Application Schematic



## Table of Contents

<b>1 Features</b> .....	1	7.3 Feature Description.....	15
<b>2 Applications</b> .....	1	7.4 Device Functional Modes.....	23
<b>3 Description</b> .....	1	<b>8 Application and Implementation</b> .....	25
<b>4 Revision History</b> .....	2	8.1 Application Information.....	25
<b>5 Pin Configuration and Functions</b> .....	3	8.2 Typical Application .....	25
<b>6 Specifications</b> .....	4	<b>9 Power Supply Recommendations</b> .....	27
6.1 Absolute Maximum Ratings .....	4	<b>10 Layout</b> .....	27
6.2 ESD Ratings.....	4	10.1 Layout Guidelines .....	27
6.3 Recommended Operating Conditions.....	4	10.2 Layout Example .....	27
6.4 Thermal Information .....	4	<b>11 Device and Documentation Support</b> .....	29
6.5 Electrical Characteristics.....	6	11.1 Receiving Notification of Documentation Updates	29
6.6 Timing Requirements – Current Monitor		11.2 Community Resources.....	29
Characteristics .....	8	11.3 Trademarks .....	29
6.7 Switching Characteristics .....	9	11.4 Electrostatic Discharge Caution.....	29
6.8 Typical Characteristics .....	11	11.5 Glossary .....	29
<b>7 Detailed Description</b> .....	15	<b>12 Mechanical, Packaging, and Orderable</b>	
7.1 Overview .....	15	<b>Information</b> .....	29
7.2 Functional Block Diagram .....	15		

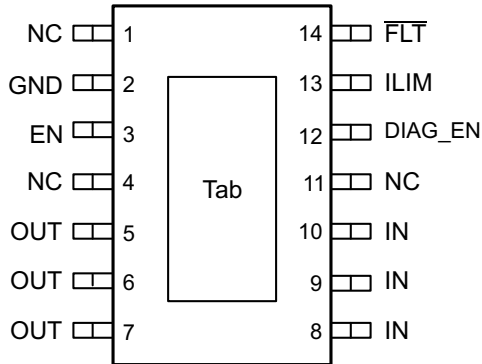
## 4 Revision History

Changes from Revision A (February 2018) to Revision B	Page
• Added the QFN Package to the <i>Features</i> section .....	1
• Added Package QFN (16) and Body Size 4.00 mm x 3.5 mm to the <i>Device Information</i> table .....	1
• Updated the <i>Typical Application Schematic</i> .....	1
• Added RRK Package to the <i>Pin Out Drawing</i> and <i>Pin Functions</i> table .....	3
• Updated the <i>Specifications Absolute Maximum Ratings</i> table .....	4
• Changed the Operation junction temperature range MAX from 150°C to 125°C in the <i>Specifications Recommended Operating Conditions</i> table .....	4
• Added RRK package to the <i>Specifications Thermal Information</i> table .....	4
• Updated the Operating Current section in the <i>Specifications Electrical Characteristics</i> table .....	4

Changes from Original (October 2017) to Revision A	Page
• Added footnote 2 and 3 to the <i>Electrical Characteristics</i> table.....	4
• Added reverse current protection information to the <i>Reverse Current Protection</i> section.....	22

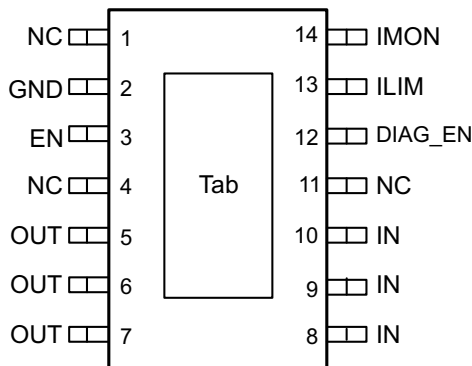
## 5 Pin Configuration and Functions

**TPS27S100A PWP Package**  
14-Pin HTSSOP With Exposed Thermal Pad  
Top View



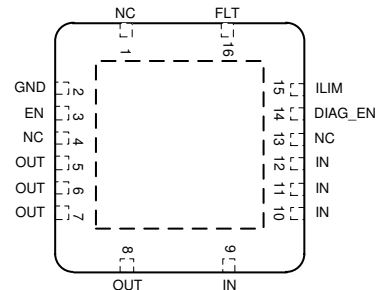
NC – No internal connection

**TPS27S100B PWP Package**  
14-Pin HTSSOP With Exposed Thermal Pad  
Top View



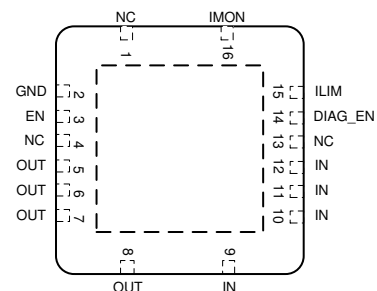
NC – No internal connection

**TPS27S100A RRK Package**  
16-Pin QFN With Exposed Thermal Pad  
Top View



NC – No internal connection

**TPS27S100B RRK Package**  
16-Pin QFN With Exposed Thermal Pad  
Top View



NC – No internal connection

### Pin Functions

NAME	PIN				I/O	DESCRIPTION
	TPS27S100 A PWP	TPS27S100 B PWP	TPS27S100 A RRK	TPS27S100B RRK		
DIAG_EN	12	12	14	14	I	Enable and disable pin for diagnostic functions. Connect to device GND if not used.
EN	3	3	3	3	I	Enable control for channel activation.
$\overline{\text{FLT}}$	14	—	16	—	O	Open-drain diagnostic status output. Leave floating if not used.
GND	2	2	2	2	—	Ground pin.
ILIM	13	13	15	15	O	adjustable current-limit pin. Connect to device GND if external current limit is not used.
IMON	—	14	—	16	O	Current-monitor output. Leave floating if not used.
IN	8, 9, 10	8, 9, 10	9, 10, 11, 12	9, 10, 11, 12	I	Power supply.
NC	1, 4, 11	1, 4, 11	1, 4, 13	1, 4, 13	—	No-connect pin; leave floating.
OUT	5, 6, 7	5, 6, 7	5, 6, 7, 8	5, 6, 7, 8	O	Output, connected to load.
Thermal pad	—	—	—	—	—	Thermal pad. Connect to device GND or leave floating.

## 6 Specifications

### 6.1 Absolute Maximum Ratings

 over operating ambient temperature range (unless otherwise noted) <sup>(1)(2)</sup>

	MIN	MAX	UNIT
Supply voltage		40	V
Supply voltage (for transients less than 400 ms)		48	V
Current on GND pin, t < 2 minutes	-250	100	mA
Voltage on EN and DIAG_EN pins	-0.3	7	V
Current on EN and DIAG_EN pins	-10		mA
Voltage on $\overline{\text{FLT}}$ pin	-0.3	7	V
Current on $\overline{\text{FLT}}$ pin	-30	10	mA
Voltage on ILIM pin	-0.3	7	V
Voltage on IMON pin	-2.7	6.5	V
Inductive load switch-off energy dissipation, single pulse <sup>(3)</sup>		70	mJ
Operating junction temperature, T <sub>J</sub>	-40	150	°C
Storage temperature, T <sub>stg</sub>	-65	150	°C

- (1) Stresses beyond those listed under *Absolute Maximum Ratings* may cause permanent damage to the device. These are stress ratings only, which do not imply functional operation of the device at these or any other conditions beyond those indicated under *Recommended Operating Conditions*. Exposure to absolute-maximum-rated conditions for extended periods may affect device reliability.
- (2) All voltage values are with respect to GND.
- (3) Test condition: V<sub>IN</sub> = 13.5 V, L = 8 mH, R = 0 Ω, T<sub>J</sub> = 150°C. FR4 2s2p board, 2- x 70-μm Cu, 2- x 35-μm Cu. 600-mm<sup>2</sup> board copper area.

### 6.2 ESD Ratings

			VALUE	UNIT
V <sub>(ESD)</sub>	Electrostatic discharge	Human body model (HBM) <sup>(1)</sup>	IN, OUT, GND	±5000
		Human body model (HBM) <sup>(1)</sup>	Other pins	±4000
		Charged device model (CDM)		±750
V <sub>(ESD)</sub>	Electrostatic discharge	Contact/Air discharge, per IEC 61000-4-2 <sup>(2)</sup>	IN, OUT	±16000
V <sub>(ESD)</sub>		Electrical fast transient, per IEC 61000-4-4 <sup>(2)</sup>	IN, OUT	±4000
V <sub>(ESD)</sub>		Surge protection with 42 Ω, per IEC 61000-4-5; 1.2/50 μs <sup>(2)</sup>	IN, OUT	±1000

- (1) JEDEC document JEP155 states that 500-V HBM allows safe manufacturing with a standard ESD control process.
- (2) Tested with application circuit shown in [Figure 35](#) with C<sub>VIN1</sub> = 47 μF, C<sub>VIN2</sub> = 100 nF, C<sub>VOU1</sub> = 22 nF and SM15T30A TVS input clamp. Supply voltage of 24 V DC is always ON, EN Inputs are High, so output is High (ON) and floating (no load).

### 6.3 Recommended Operating Conditions

over operating free-air temperature range (unless otherwise noted)

		MIN	MAX	UNIT
V <sub>IN</sub>	Operating voltage	5	40	V
V <sub>ENx</sub>	Voltage on EN and DIAG_EN pins	0	5	V
V <sub>FLT</sub>	Voltage on FLT pin	0	5	V
I <sub>L,nom</sub>	Nominal dc load current	0	4	A
T <sub>J</sub>	Operating junction temperature range	-40	125	°C

### 6.4 Thermal Information

THERMAL METRIC <sup>(1)</sup>		TPS27S100x		UNIT
		PWP (HTSSOP)	RRK (QFN)	
		14 PINS	16 PINS	
R <sub>θJA</sub>	Junction-to-ambient thermal resistance	41	42.7	°C/W
R <sub>θJC(top)</sub>	Junction-to-case (top) thermal resistance	29.7	31.3	°C/W
R <sub>θJB</sub>	Junction-to-board thermal resistance	25.1	16.5	°C/W

- (1) For more information about traditional and new thermal metrics, see the *Semiconductor and IC Package Thermal Metrics* application report, [SPRA953](#).

**Thermal Information (continued)**

THERMAL METRIC <sup>(1)</sup>		TPS27S100x		UNIT
		PWP (HTSSOP)	RRK (QFN)	
		14 PINS	16 PINS	
$\Psi_{JT}$	Junction-to-top characterization parameter	0.9	0.4	°C/W
$\Psi_{JB}$	Junction-to-board characterization parameter	24.8	16.5	°C/W
$R_{\theta JC(bot)}$	Junction-to-case (bottom) thermal resistance	2.7	4.6	°C/W

## 6.5 Electrical Characteristics

5 V < V<sub>IN</sub> < 40 V; –40°C < T<sub>J</sub> < 150°C unless otherwise specified

PARAMETER		TEST CONDITIONS	MIN	TYP	MAX	UNIT
<b>OPERATING VOLTAGE</b>						
V <sub>IN(nom)</sub>	Nominal operating voltage		4		40	V
V <sub>IN(uvr)</sub>	Undervoltage restart	V <sub>IN</sub> rises up	3.5	3.7	4	V
V <sub>IN(uvf)</sub>	Undervoltage shutdown	V <sub>IN</sub> falls down	3	3.2	3.5	V
V <sub>(uv,hys)</sub>				0.5		V
<b>OPERATING CURRENT</b>						
I <sub>(op)</sub>	Nominal operating current	V <sub>EN</sub> = 5 V, V <sub>DIAG_EN</sub> = 0 V, 5 V < V <sub>IN</sub> < 30 V, no load; –40°C T <sub>J</sub> < 125°C		2.5	3.2	mA
I <sub>(op)</sub>	Nominal operating current	V <sub>EN</sub> = 5 V, V <sub>DIAG_EN</sub> = 0 V, 5 V < V <sub>IN</sub> < 40 V, no load; –40°C T <sub>J</sub> < 150°C		2.5	5	mA
I <sub>(op)</sub>	Nominal operating current	V <sub>EN</sub> = 5 V, V <sub>DIAG_EN</sub> = 0 V, 24-Ω load			10	mA
I <sub>(off)</sub>	Standby mode current	V <sub>IN</sub> = 24 V, V <sub>EN</sub> = V <sub>DIAG_EN</sub> = V <sub>IMON</sub> = V <sub>LIM</sub> = V <sub>OUT</sub> = 0 V, T <sub>J</sub> = 25°C			2	μA
I <sub>(off,diag)</sub>	Standby current with diagnostic enabled	V <sub>IN</sub> = 24 V, V <sub>EN</sub> = 0 V, V <sub>DIAG_EN</sub> = 5 V			1.2	mA
t <sub>(off,deg)</sub>	Standby mode deglitch time <sup>(1)</sup>	EN from high to low, if deglitch time > t <sub>(off,deg)</sub> , the device enters into standby mode.		2		ms
I <sub>(kg,out)</sub>	Off-state output leakage current	V <sub>IN</sub> = 24 V, V <sub>EN</sub> = V <sub>OUT</sub> = 0, T <sub>J</sub> = 25°C			0.5	μA
<b>POWER STAGE</b>						
r <sub>DS(on)</sub>	On-state resistance	V <sub>IN</sub> > 5 V, T <sub>J</sub> = 25°C		80	100	mΩ
		V <sub>IN</sub> > 5 V, T <sub>J</sub> = 150°C			166	mΩ
		V <sub>IN</sub> = 3.5 V, T <sub>J</sub> = 25°C			120	mΩ
I <sub>LIM(int)</sub>	Internal current limit	Internal current limit value, ILIM pin connected to GND	7		13	A
I <sub>LIM(TSD)</sub>	Current limit during thermal shutdown	Internal current limit value under thermal shutdown		5		A
		External current limit value under thermal shutdown as a percentage of the external current limit setting value		50		%
V <sub>DS(clamp)</sub>	Drain-to-source internal clamp voltage		50		70	V
<b>OUTPUT DIODE CHARACTERISTICS</b>						
V <sub>F</sub>	Drain-to-source diode voltage	V <sub>EN</sub> = 0, I <sub>OUT</sub> = –0.2 A		0.7		V
I <sub>(R1)</sub>	Continuous reverse current from source to drain	t < 60 s, V <sub>EN</sub> = 0, T <sub>J</sub> = 25°C. Short-to-supply condition.		2		A
I <sub>(R2)</sub>	Continuous reverse current from source to drain	t < 60 s, V <sub>EN</sub> = 0, T <sub>J</sub> = 25°C. With GND network, 1-kΩ resistor in parallel with A diode. Reverse-polarity condition.		3		A
<b>LOGIC INPUT (EN AND DIAG_EN)</b>						
V <sub>IH</sub>	Logic high-level voltage		2			V
V <sub>IL</sub>	Logic low-level voltage				0.8	V
R <sub>(EN,pd)</sub>	EN pulldown resistor			500		kΩ
R <sub>(DIAG,pd)</sub>	DIAG_EN pulldown resistor			150		kΩ

(1) Value is specified by design, not subject to production test.

## Electrical Characteristics (continued)

 $5\text{ V} < V_{\text{IN}} < 40\text{ V}$ ;  $-40^{\circ}\text{C} < T_{\text{J}} < 150^{\circ}\text{C}$  unless otherwise specified

PARAMETER		TEST CONDITIONS	MIN	TYP	MAX	UNIT
<b>DIAGNOSTICS</b>						
$V_{(\text{ol,off})}$	Open-load detection threshold in off-state	$V_{\text{EN}} = 0\text{ V}$ , When $V_{\text{IN}} - V_{\text{OUT}} < V_{(\text{ol,off})}$ , duration longer than $t_{\text{d(ol,off)}}$ . Open load detected.	1.4	1.8	2.6	V
$I_{(\text{ol,off})}$	Off-state output sink current with open load	$V_{\text{EN}} = 0\text{ V}$ , $V_{\text{IN}} = V_{\text{OUT}} = 24\text{ V}$ , $T_{\text{J}} = 125^{\circ}\text{C}$ .	-150			$\mu\text{A}$
$t_{\text{d(ol,off)}}$	Open-load detection-threshold deglitch time in off state	$V_{\text{EN}} = 0\text{ V}$ , When $V_{\text{IN}} - V_{\text{OUT}} < V_{(\text{ol,off})}$ , duration longer than $t_{\text{d(ol,off)}}$ . Open load detected.		600		$\mu\text{s}$
$I_{(\text{ol,on})}$	Open-load detection threshold in on state	$V_{\text{EN}} = 5\text{ V}$ , when $I_{\text{OUT}} < I_{(\text{ol,on})}$ , duration longer than $t_{\text{d(ol,on)}}$ . Open load detected. Version A only	2	6	10	mA
$t_{\text{d(ol,on)}}$	Open-load detection-threshold deglitch time in on-state	$V_{\text{EN}} = 5\text{ V}$ , when $I_{\text{OUT}} < I_{(\text{ol,on})}$ , duration longer than $t_{\text{d(ol,on)}}$ . Open load detected.		700		$\mu\text{s}$
$V_{(\text{FLT})}$	Fault low output voltage	$I_{\text{FLT}} = 2\text{ mA}$			0.4	V
$T_{(\text{SD})}$	Thermal shutdown threshold			175		$^{\circ}\text{C}$
$T_{(\text{SD,rst})}$	Thermal shutdown status reset			155		$^{\circ}\text{C}$
$T_{(\text{SW})}$	Thermal swing shutdown threshold			60		$^{\circ}\text{C}$
$T_{(\text{hys})}$	Hysteresis for resetting the thermal shutdown and swing			10		$^{\circ}\text{C}$
<b>CURRENT MONITOR AND CURRENT LIMIT</b>						
$K_{(\text{IMON})}$	Current sense current ratio			500		
$K_{(\text{ILIM})}$	Current limit current ratio			2000		
$dK_{(\text{IMON})}/K_{(\text{IMON})}$	Current-monitor accuracy	$I_{\text{load}} \geq 5\text{ mA}$	-80		80	%
		$I_{\text{load}} \geq 25\text{ mA}$	-12		12	
		$I_{\text{load}} \geq 50\text{ mA}$	-8		8	
		$I_{\text{load}} \geq 0.1\text{ A}$	-5		5	
		$I_{\text{load}} \geq 1\text{ A}$	-3		3	
$dK_{(\text{ILIM})}/K_{(\text{ILIM})}$	External current-limit accuracy <sup>(2), (3)</sup>	$I_{\text{limit}} \geq 0.5\text{ A}$ , $25^{\circ}\text{C} < T_{\text{J}} < 150^{\circ}\text{C}$	-20		20	%
		$I_{\text{limit}} \geq 0.5\text{ A}$ , $-40^{\circ}\text{C} < T_{\text{J}} < 25^{\circ}\text{C}$	-28		28	%
$dK_{(\text{ILIM})}/K_{(\text{ILIM})}$	External current-limit accuracy <sup>(2), (3)</sup>	$I_{\text{limit}} \geq 1.6\text{ A}$ , $25^{\circ}\text{C} < T_{\text{J}} < 150^{\circ}\text{C}$	-15		15	%
		$I_{\text{limit}} \geq 1.6\text{ A}$ , $-40^{\circ}\text{C} < T_{\text{J}} < 25^{\circ}\text{C}$	-18		18	%
$V_{\text{IMON}(\text{lin})}$	Current-monitor voltage linear voltage range <sup>(1)</sup>	$V_{\text{IN}} \geq 5\text{ V}$	0		4	V
$I_{\text{OUT}(\text{lin})}$	Current-monitor voltage linear current range <sup>(1)</sup>	$V_{\text{IN}} \geq 5\text{ V}$ , $V_{\text{IMON}(\text{lin})} \leq 4\text{ V}$	0		4	A
$V_{\text{IMON}(\text{H})}$	IMON pin voltage in Fault mode	$V_{\text{IN}} \geq 7\text{ V}$ , fault mode	4.3	4.75	4.9	V
		$V_{\text{IN}} \geq 5\text{ V}$ , fault mode	Min( $V_{\text{IN}} - 0.8, 4.3$ )		4.9	
$I_{\text{IMON}(\text{H})}$	IMON pin current in Fault mode	$V_{\text{IMON}} = 4.3\text{ V}$ , $V_{\text{IN}} > 7\text{ V}$ , fault mode	10			mA
$V_{\text{IMON}(\text{th})}$	Current limit internal threshold voltage <sup>(1)</sup>			1.233		V

(2) External current limit set is recommended to be higher than 500 mA.

(3) External current limit accuracy is only applicable to overload conditions greater than 1.5 x the current limit setting.

## 6.6 Timing Requirements – Current Monitor Characteristics<sup>(1)</sup>

			MIN	NOM	MAX	UNIT
$t_{\text{IMON(off1)}}$	IMON settling time from DIAG_EN disabled	$V_{\text{EN}} = 5 \text{ V}$ , $I_{\text{load}} \geq 5 \text{ mA}$ . $V_{\text{DIAG\_EN}}$ from 5 to 0 V. IMON to 10% of sense value.			10	$\mu\text{s}$
$t_{\text{IMON(on1)}}$	IMON settling time from DIAG_EN enabled	$V_{\text{EN}} = 5 \text{ V}$ , $I_{\text{load}} \geq 5 \text{ mA}$ . $V_{\text{DIAG\_EN}}$ from 0 to 5 V. IMON to 90% of sense value.			10	$\mu\text{s}$
$t_{\text{IMON(off2)}}$	IMON settling time from EN falling edge	$V_{\text{DIAG\_EN}} = 5 \text{ V}$ , $I_{\text{load}} \geq 5 \text{ mA}$ . EN from 5 to 0 V. IMON to 10% of sense value.			10	$\mu\text{s}$
		$V_{\text{DIAG\_EN}} = 5 \text{ V}$ , $I_{\text{load}} \geq 5 \text{ mA}$ . EN from 5 to 0 V. Current limit triggered.			180	$\mu\text{s}$
$t_{\text{IMON(on2)}}$	IMON settling time from EN rising edge	$V_{\text{IN}} = 24 \text{ V}$ , $V_{\text{DIAG\_EN}} = 5 \text{ V}$ , $I_{\text{load}} \geq 100 \text{ mA}$ . $V_{\text{EN}}$ from 0 to 5 V. IMON to 90% of sense value.			150	$\mu\text{s}$

(1) Value specified by design, not subject to production test.

### 6.7 Switching Characteristics

$V_{IN} = 24\text{ V}$ ,  $R_{load} = 24\ \Omega$ , over operating free-air temperature range (unless otherwise noted)<sup>(1)</sup>

PARAMETER	TEST CONDITIONS	MIN	TYP	MAX	UNIT
$t_{d(on)}$	Turn-on delay time	20		50	$\mu\text{s}$
$t_{d(off)}$	Turn-off delay time	40		80	$\mu\text{s}$
$dV/dt_{(on)}$	Slew rate on	0.1		0.5	$\text{V}/\mu\text{s}$
$dV/dt_{(off)}$	Slew rate off	0.1		0.5	$\text{V}/\mu\text{s}$

(1) Value specified by design, not subject to production test.

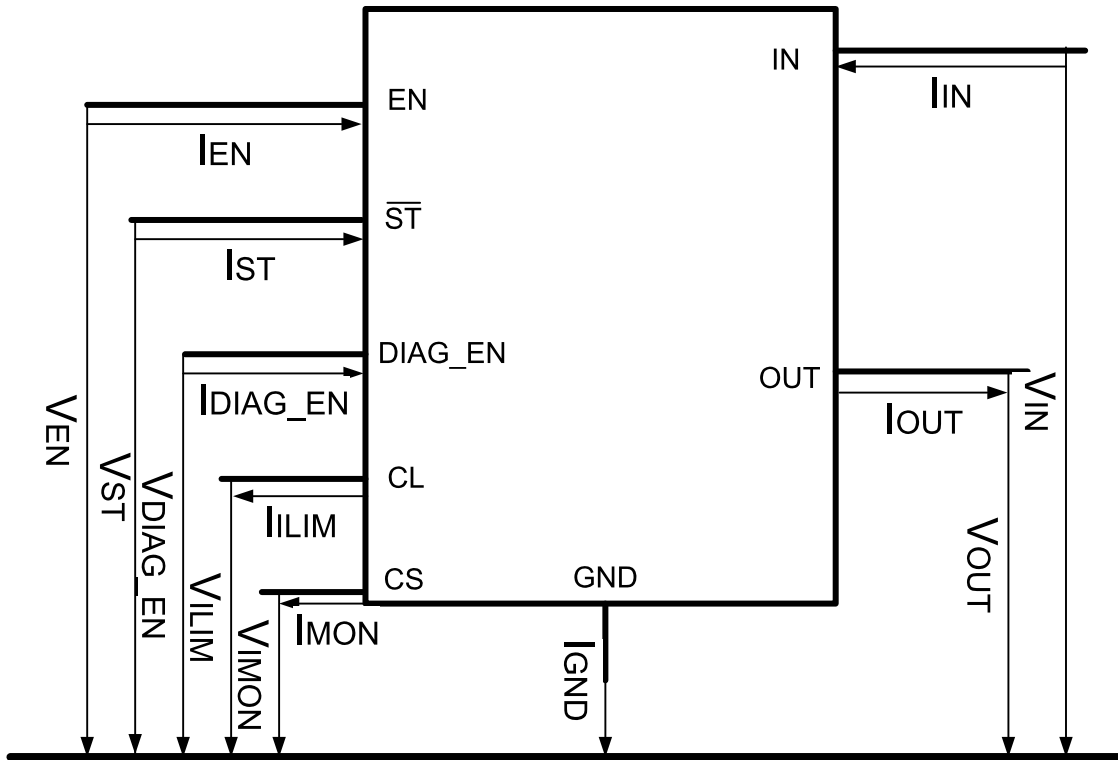


Figure 1. Pin Current and Voltage Conventions

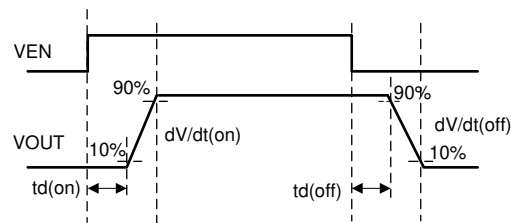
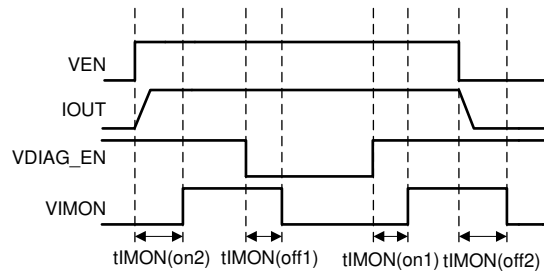
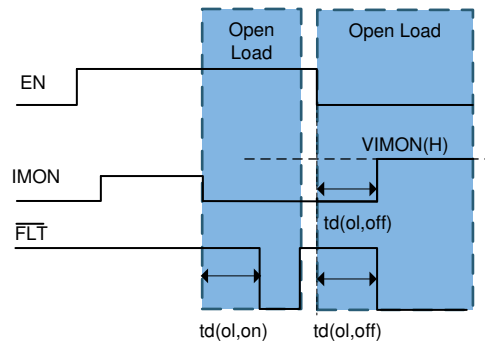


Figure 2. Output Delay Characteristics



**Figure 3. Current sense Delay Characteristics**



**Figure 4. Open Load Blanking Time Characteristics**

### 6.8 Typical Characteristics

All the below data are based on the mean value of the three lots samples,  $V_{IN} = 24\text{ V}$  if not specified.

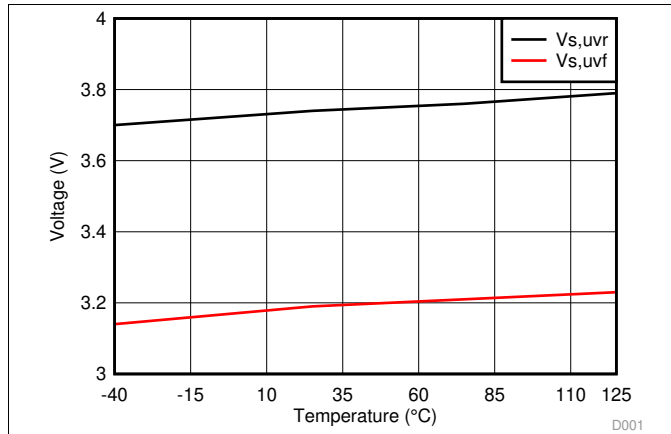


Figure 5. IN Pin Undervoltage Rising and Falling Thresholds  $V_{IN,UVR}$  and  $V_{IN,UVF}$

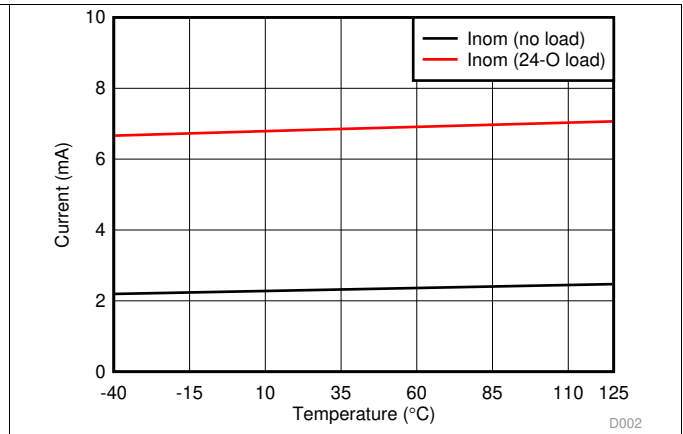


Figure 6.  $I_{nom}$  With No Load and 24-Ω Load

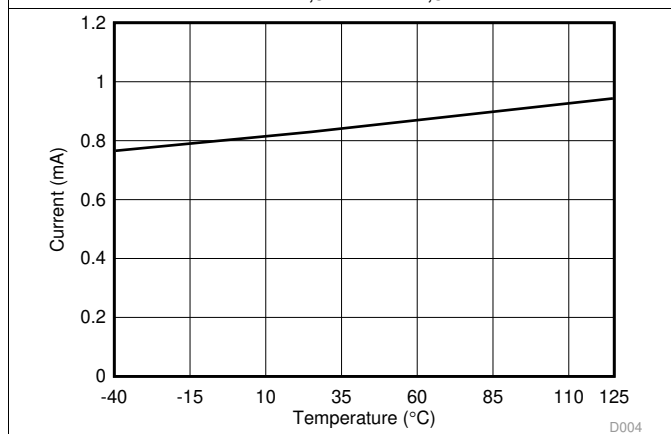


Figure 7.  $I_{off,diag}$  as a Function of Temperature

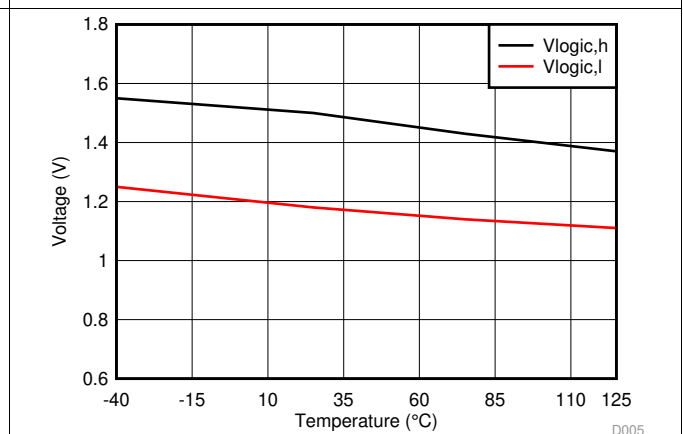
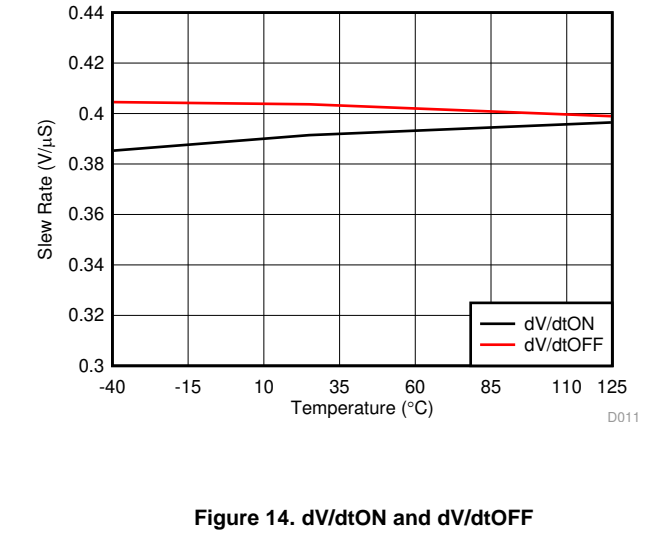
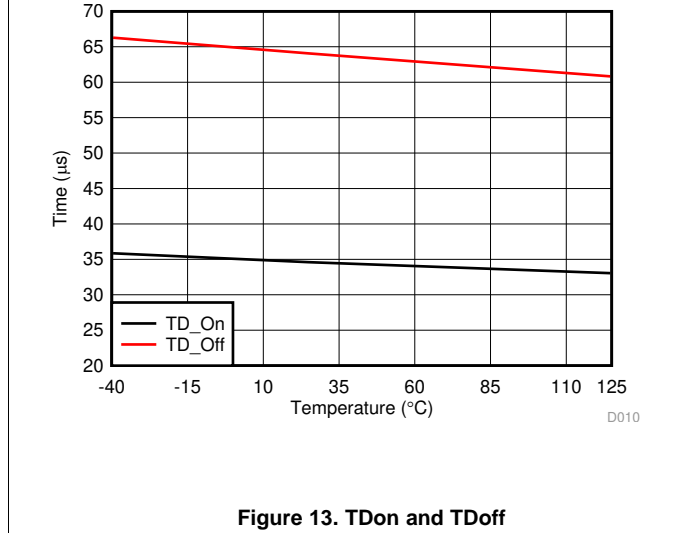
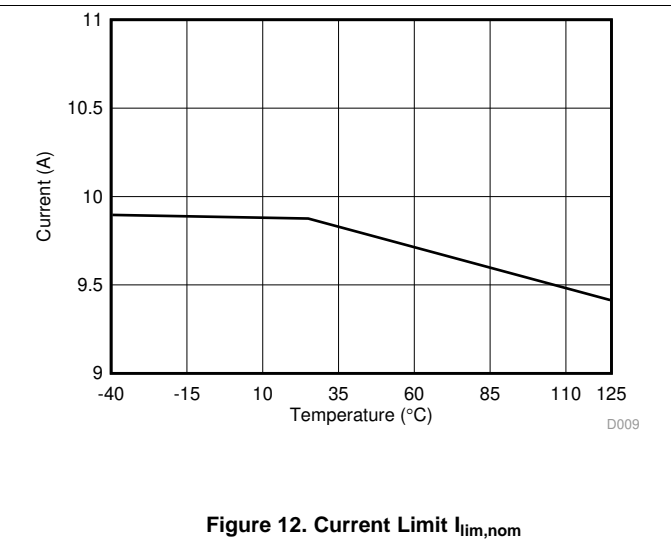
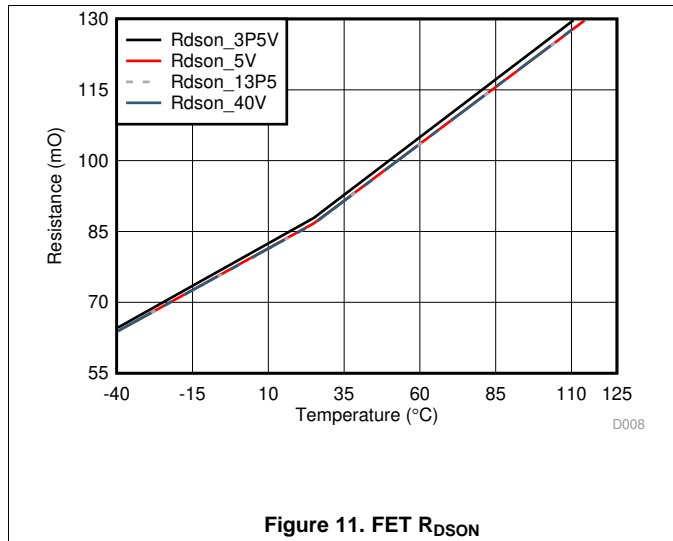
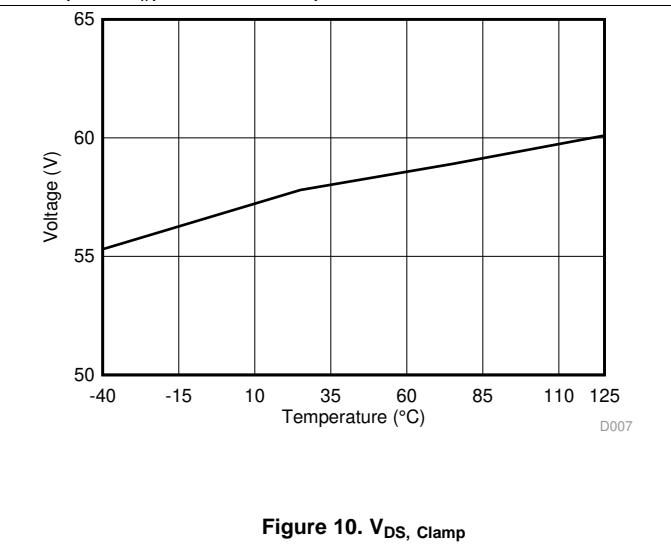
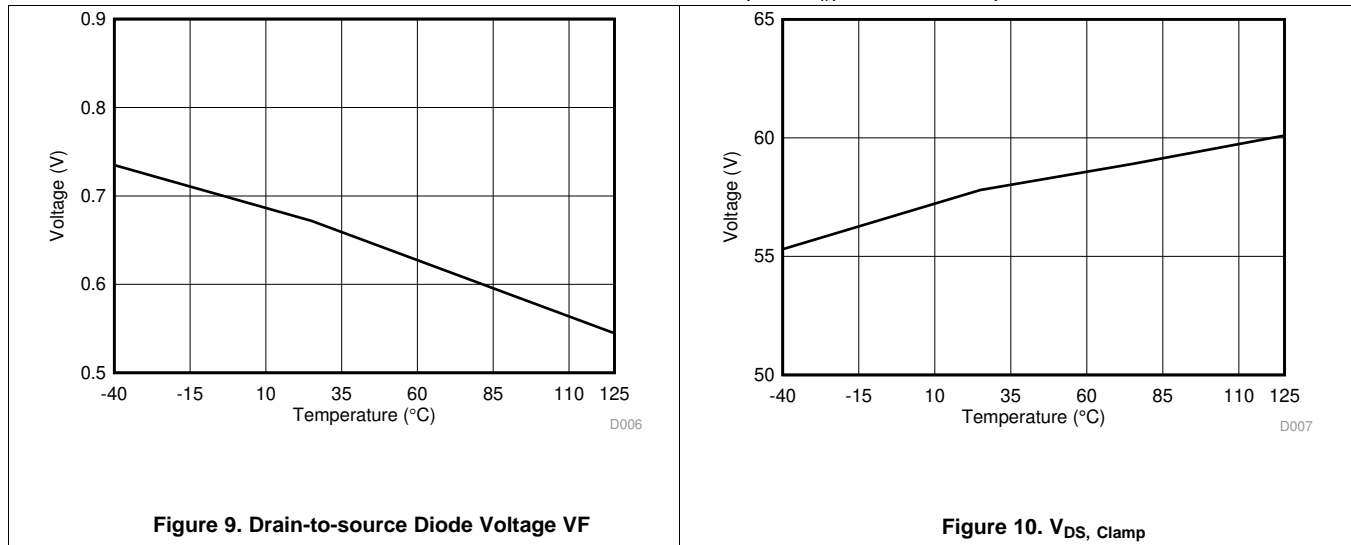


Figure 8.  $V_{logic,h}$  and  $V_{logic,l}$

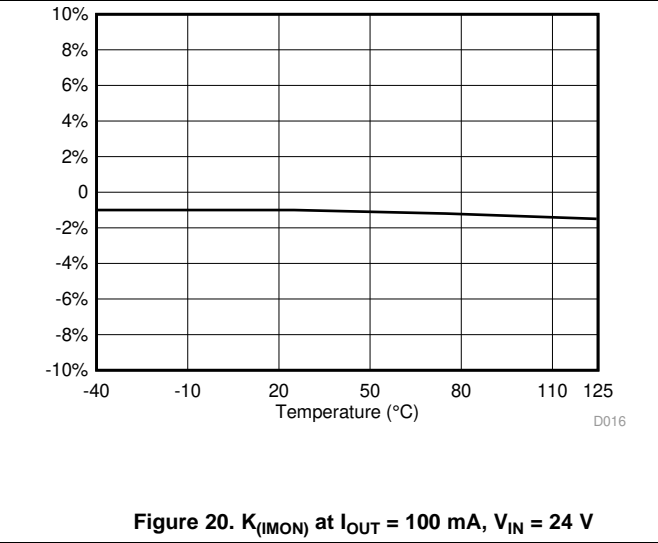
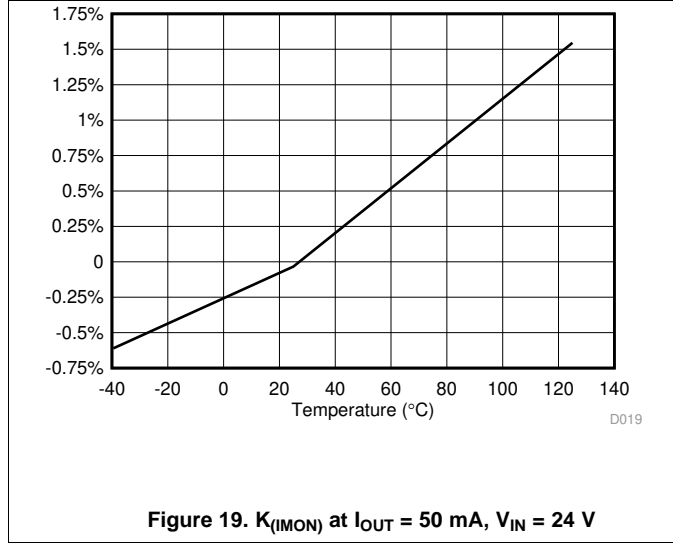
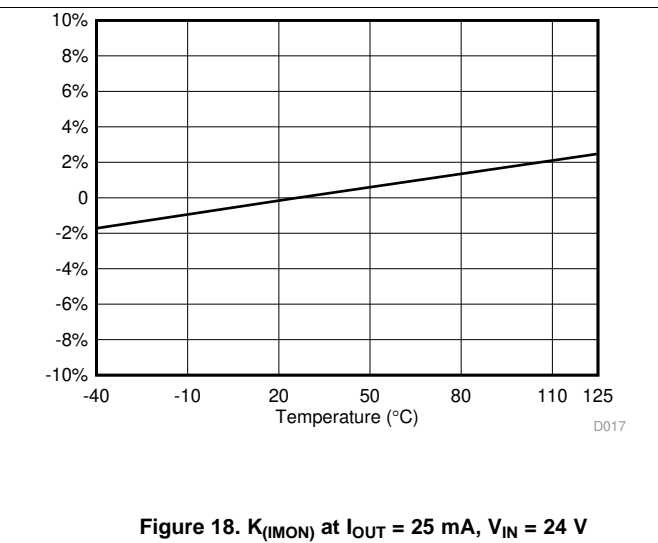
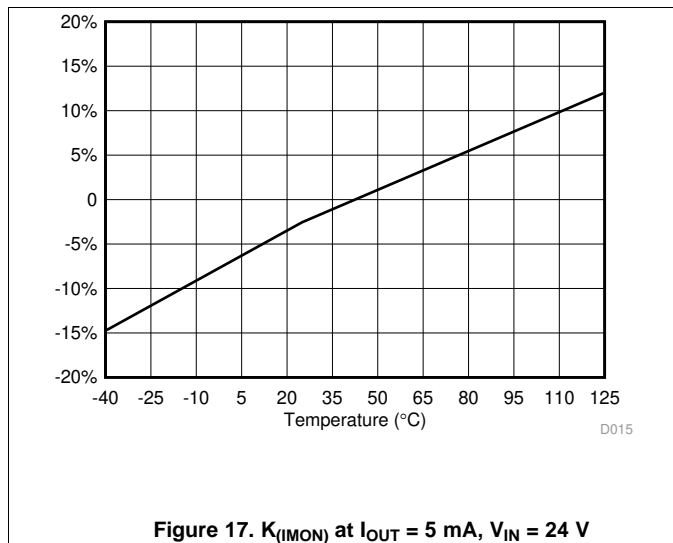
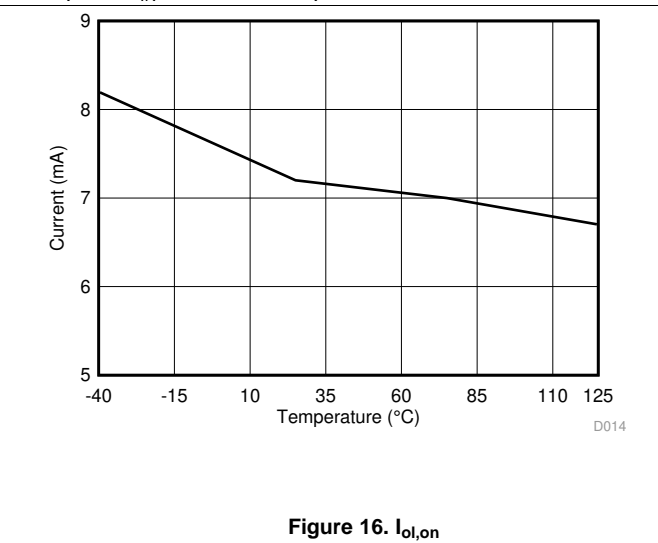
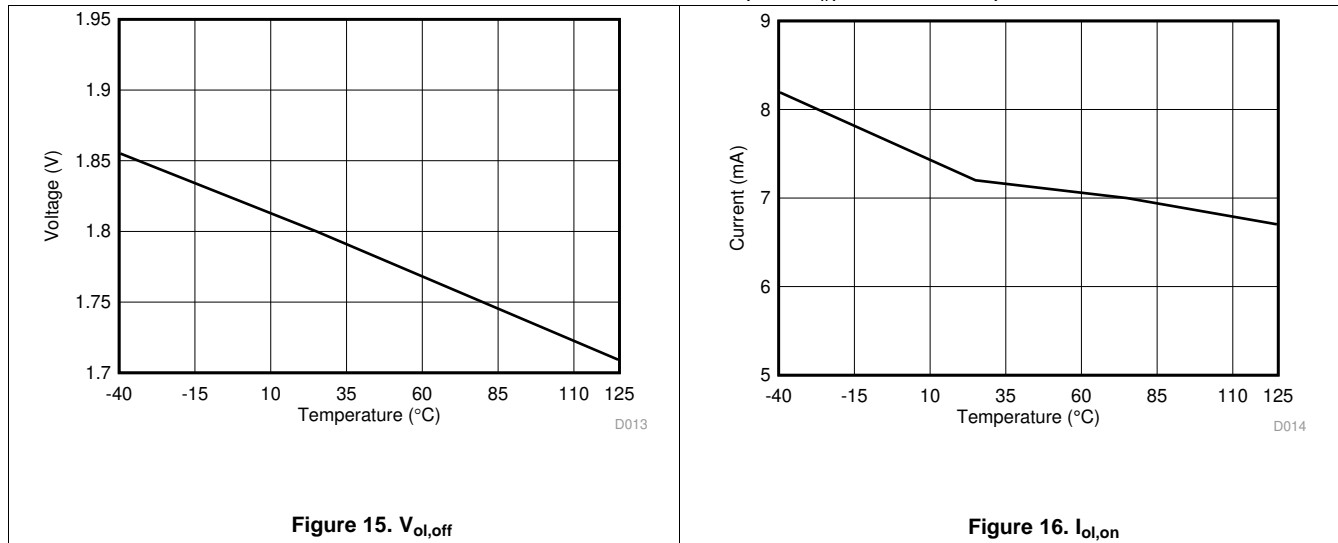
Typical Characteristics (continued)

All the below data are based on the mean value of the three lots samples,  $V_{IN} = 24\text{ V}$  if not specified.



Typical Characteristics (continued)

All the below data are based on the mean value of the three lots samples,  $V_{IN} = 24\text{ V}$  if not specified.



### Typical Characteristics (continued)

All the below data are based on the mean value of the three lots samples,  $V_{IN} = 24\text{ V}$  if not specified.

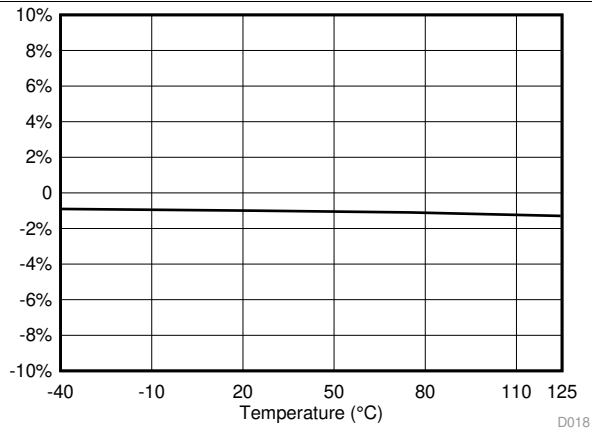


Figure 21.  $K_{(IMON)}$  at  $I_{OUT} = 1\text{ A}$ ,  $V_{IN} = 24\text{ V}$

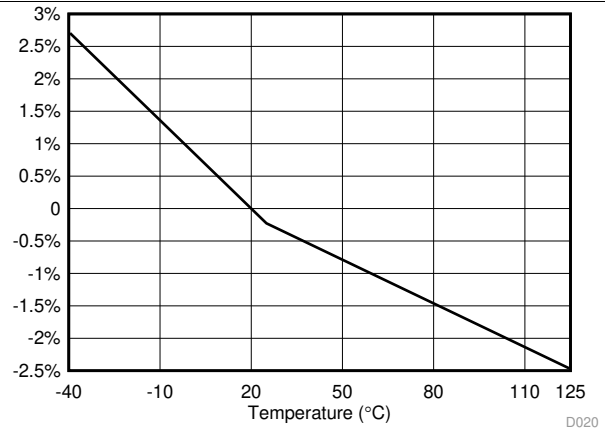


Figure 22.  $K_{(ILIM)}$  at  $I_{ILIM} = 0.5\text{ A}$ ,  $V_{IN} = 24\text{ V}$

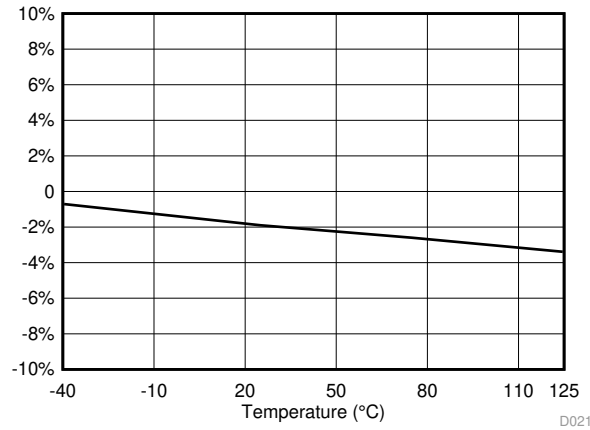


Figure 23.  $K_{(ILIM)}$  at  $I_{ILIM} = 1.6\text{ A}$ ,  $V_{IN} = 24\text{ V}$

## 7 Detailed Description

### 7.1 Overview

The TPS27S100x is a single-channel, fully-protected, high-side switch with an integrated NMOS and charge pump. Full diagnostics and high-accuracy current-monitor features enable intelligent control of the load. An adjustable current-limit function greatly improves the reliability of the whole system. The device diagnostic reporting has two versions to support both digital fault status and analog current monitor output.

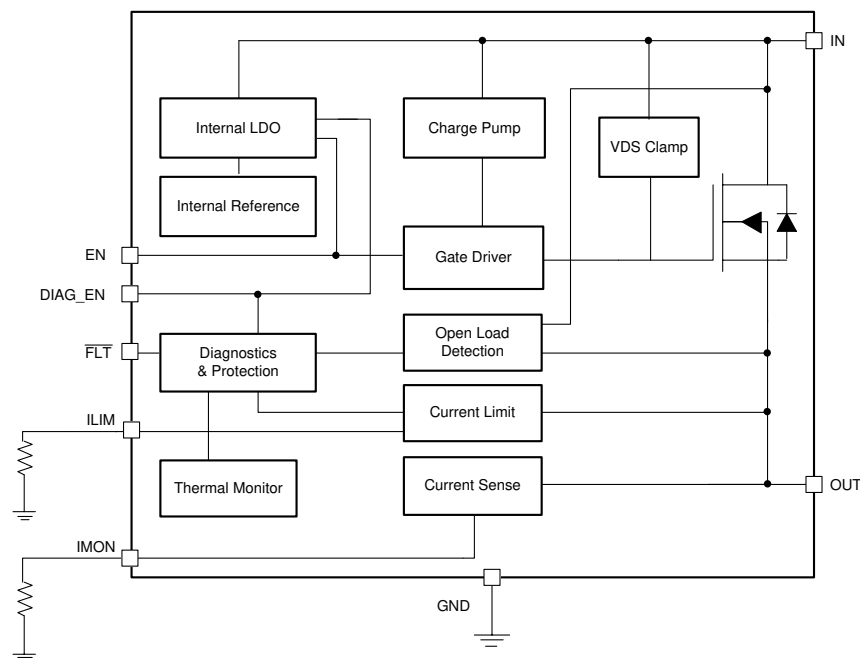
For TPS27S100A, the digital fault status report is implemented with an open-drain structure. For TPS27S100B, high-accuracy current-monitor allows a better real-time monitoring effect and more-accurate diagnostics without further calibration. A current mirror is used to source a fraction ( $1 / K_{(IMON)}$ ) of the load current.  $K_{(IMON)}$  is a nearly constant value across the temperature and supply voltage.

The external high-accuracy current limit allows setting the current limit value by application. Under start-up or short-circuit conditions, it improves the reliability of the system significantly by clamping the inrush current effectively. It can also save system costs by reducing PCB trace, connector size, and the preceding power-stage capacity. An internal current limit is also implemented in this device. The lower value of the external or internal current-limit value is applied.

An active drain to source voltage clamp is built in to address switching off the energy of inductive loads, such as relays, solenoids, motors, and so forth. During switching-off cycle, both the energy of the power supply and the inductive load are dissipated on the device itself. See [Inductive-Load Switching-Off Clamp](#) for more details.

The TPS27S100x device can be used as a high-side switch to drive a wide variety of resistive, inductive, and capacitive loads.

### 7.2 Functional Block Diagram



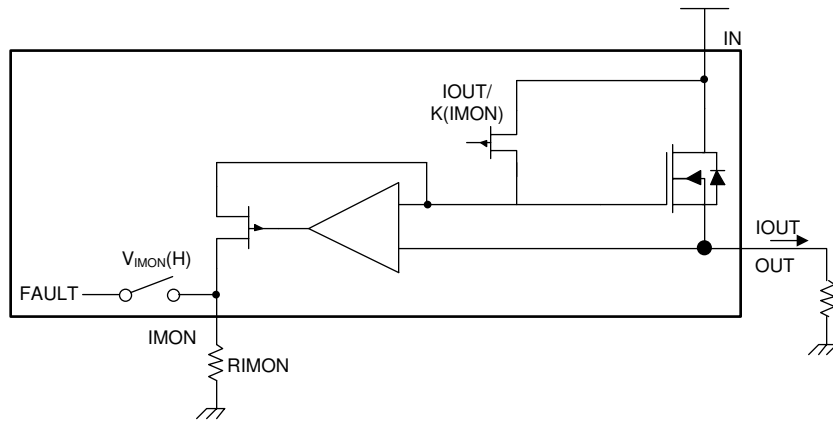
### 7.3 Feature Description

#### 7.3.1 Accurate Current Monitor

For TPS27S100B, the high-accuracy current-monitor function is internally implemented, which allows a better real-time monitoring effect. A current mirror is used to source  $1 / K_{IMON}$  of the load current, flowing out to the external resistor between the IMON and GND.

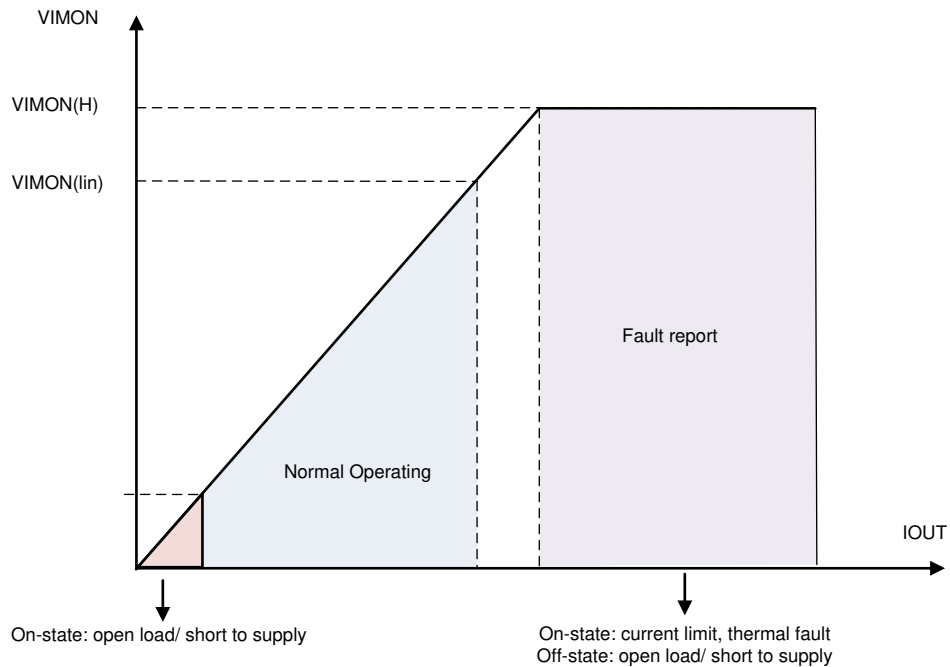
**Feature Description (continued)**

$K_{IMON}$  is the ratio of the output current and the sense current. It is a constant value across the temperature and supply voltage range. Each part is factory calibrated during production test, so user-calibration is not required in most cases.



**Figure 24. Current-monitor Block Diagram**

When a fault occurs, the IMON pin also works as a fault report with a pullup voltage,  $V_{IMON(H)}$ .



**Figure 25. IMON Output-Voltage Curve**

Use Equation 1 to calculate  $R_{IMON}$ . Also, please ensure  $V_{IMON}$  is within the current-sense linear region  $V_{IMON(lin)}$  across the full range of the load current.

$$R_{IMON} = \frac{V_{IMON}}{I_{IMON}} = \frac{V_{IMON} \times K_{(IMON)}}{I_{OUT}} \tag{1}$$

## Feature Description (continued)

### 7.3.2 Adjustable Current Limit

A high-accuracy current limit allows high reliability of the design. It protects the load and the power supply from over-stressing during short-circuit-to-GND or power-up conditions. The current limit can also save system cost by reducing the size of PCB traces and connectors, and the capacity of the preceding power stage.

When the current-limit threshold is hit, a closed loop activates immediately. The output current is clamped at the set value, and a fault is reported out. The device heats up due to the high power dissipation on the power FET. If thermal shutdown occurs, the current limit is set to  $I_{ILIM(TSD)}$  to reduce the power dissipation on the power FET.

The device has two current-limit thresholds.

**Internal current limit** – The internal current limit is fixed at  $I_{ILIM(int)}$ . Tie the ILIM pin directly to the device GND for large-transient-current applications.

**External adjustable current limit** – An external resistor is used to set the current-limit threshold. Use Equation 2 below to calculate the  $R_{ILIM}$ .  $V_{ILIM(th)}$  is the internal band-gap voltage.  $K_{(ILIM)}$  is the ratio of the output current and the current-limit set value. It is constant across the temperature and supply voltage. The external adjustable current limit allows the flexibility to set the current limit value by applications.

$$R_{ILIM} = \frac{V_{ILIM(th)} \cdot K_{(ILIM)}}{I_{OUT}} \quad (2)$$

Note that if a GND network is used (which leads to the level shift between the device GND and board GND), the ILIM pin must be connected with device GND.

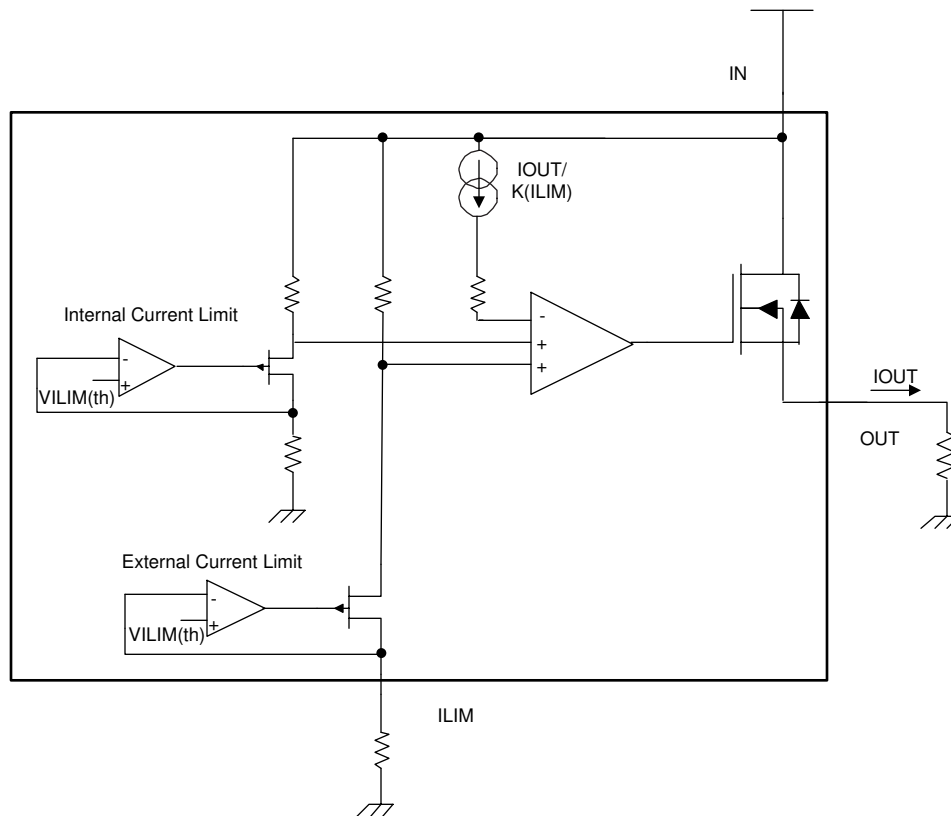


Figure 26. Current-Limit Block Diagram

For better protection from a hard short-to-GND condition (when the EN pin is enabled, a short to GND occurs suddenly), the device implements a fast-trip protection to turn off the channel before the current-limit closed loop is set up. The fast-trip response time is less than 1  $\mu$ s, typically. With this fast response, the device can achieve better inrush current-suppression performance.

## Feature Description (continued)

### 7.3.3 Inductive-Load Switching-Off Clamp

When switching an inductive load off, the inductive reactance tends to pull the output voltage negative. Excessive negative voltage could cause the power FET to break down. To protect the power FET, an internal clamp between drain and source is implemented, namely  $V_{DS(clamp)}$ .

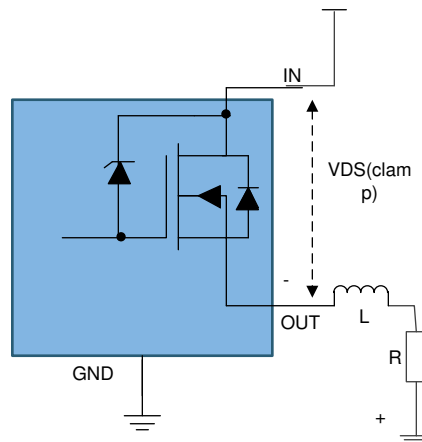


Figure 27. Drain-to-Source Clamping Structure

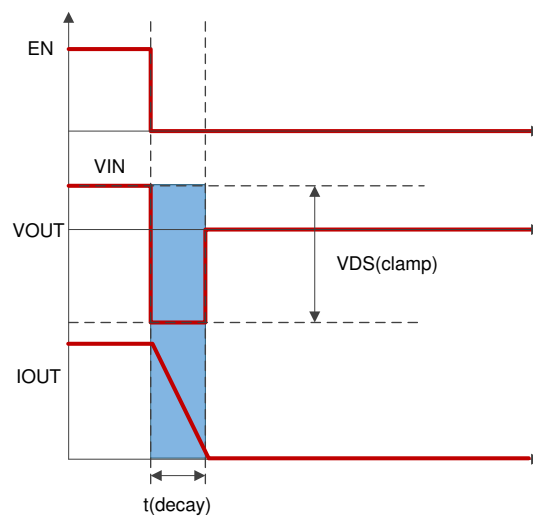


Figure 28. Inductive-Load Switching-Off Diagram

### 7.3.4 Full Protections and Diagnostics

Table 1 is when DIAG\_EN enabled. When DIAG\_EN is low, all the diagnostics is disabled accordingly. The output is in high-impedance mode. Refer to Table 2 for details.

Table 1. Fault Table

CONDITIONS	IN	OUT	CRITERION	$\overline{\text{FLT}}$ (TPS27S100A)	IMON (TPS27S100B)	FAULT RECOVERY
Normal	L	L		H	0	
	H	H		H	In linear region	
Short to GND	H	L	Current limit triggered.	L	$V_{IMON(H)}$	AUTO

**Feature Description (continued)**
**Table 1. Fault Table (continued)**

CONDITIONS	IN	OUT	CRITERION	$\overline{\text{FLT}}$ (TPS27S100A)	IMON (TPS27S100B)	FAULT RECOVERY
Open load <sup>(1)</sup> Short to supply	H	H	TPS27S100A: $I_{\text{OUT}} < I_{(\text{ol,on})}$ TPS27S100B: Judged by users	L	Almost 0	AUTO
	L	H	$V_{\text{IN}} - V_{\text{OUT}} < V_{(\text{ol,off})}$	L	$V_{\text{IMON(H)}}$	AUTO
Thermal shutdown	H		$T_{\text{SD}}$ triggered	L	$V_{\text{IMON(H)}}$	Recovery when $T_{\text{J}} < T_{(\text{SD,rst})}$ or when EN toggles.
Thermal swing	H		$T_{\text{SW}}$ triggered	L	$V_{\text{IMON(H)}}$	AUTO

(1) Need external pull-up resistor during off-state

**Table 2. DIAG\_EN Logic Table**

DIAG_EN	EN	PROTECTIONS AND DIAGNOSTICS
HIGH	ON	See <a href="#">Table 1</a>
	OFF	See <a href="#">Table 1</a>
LOW	ON	Diagnostics disabled, protection normal IMON or $\overline{\text{FLT}}$ is high Impedance
	OFF	Diagnostics disabled, no protections IMON or $\overline{\text{FLT}}$ is high impedance

**7.3.4.1 Short-to-GND and Overload Detection**

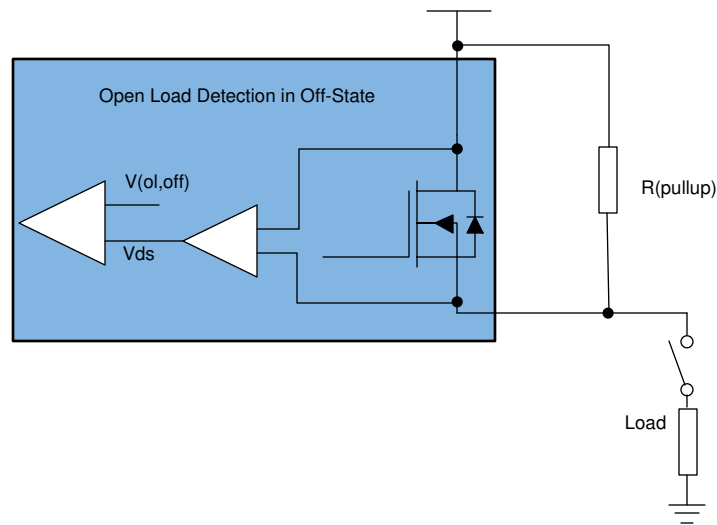
When the switch is on, a short to GND or overload condition causes overcurrent. If the overcurrent triggers either the internal or external current-limit threshold, the fault condition is reported out. The microcontroller can handle the overcurrent by turning off the switch. The device heats up if no actions are taken. If a thermal shutdown occurs, the current limit is  $I_{\text{LIM}(T_{\text{SD}})}$  to keep the power stressing on the power FET to a minimum. The device automatically recovers when the fault condition is removed.

**7.3.4.2 Open-Load Detection**

When the channel is on, for TPS27S100A, if the current flowing through the output is less than  $I_{(\text{ol,on})}$ , the device recognizes an open-load fault. For TPS27S100B, if an open-load event occurs, it can be detected as an ultra-low  $V_{\text{IMON}}$  and handled by the microcontroller.

When the channel is off, if a load is connected, the output is pulled down to GND. But if an open load occurs, the output voltage is close to the supply voltage ( $V_{\text{IN}} - V_{\text{OUT}} < V_{(\text{ol,off})}$ ), and the fault is reported out.

There is always a leakage current  $I_{(\text{ol,off})}$  present on the output due to internal logic control path or external humidity, corrosion, and so forth. Thus, TI recommends an external pullup resistor to offset the leakage current when an open load is detected. The recommended pullup resistance is 15 k $\Omega$ .



**Figure 29. Open-Load Detection Circuit in Off-State**

### 7.3.4.3 Short-to-Supply Detection

Short-to-Supply has the same detection mechanism and behavior as open-load detection, in both the on-state and off-state. See [Table 1](#) for more details.

### 7.3.4.4 Thermal Fault Detection

To protect the device in severe power stressing cases, the device implements two types of thermal fault detection, absolute temperature protection (thermal shutdown) and dynamic temperature protection (thermal swing). Respective temperature sensors are integrated close to each power FET, so the thermal fault is reported by each channel. This arrangement can help the device keep the cross-channel effect to a minimum when some channels are in a thermal fault condition.

Thermal shutdown is active when the absolute temperature  $T_J > T_{(SD)}$ . When thermal shutdown occurs, the respective output turns off.

Thermal swing activates when the power FET temperature is increasing sharply, that is, when  $\Delta T = T_{(FET)} - T_{(Logic)} > T_{(sw)}$ , then the output turns off. The output automatically recovers and the fault signal clears when  $\Delta T = T_{(FET)} - T_{(Logic)} < T_{(sw)} - T_{(hys)}$ . Thermal swing function improves the device reliability when subjected to repetitive fast thermal variation.

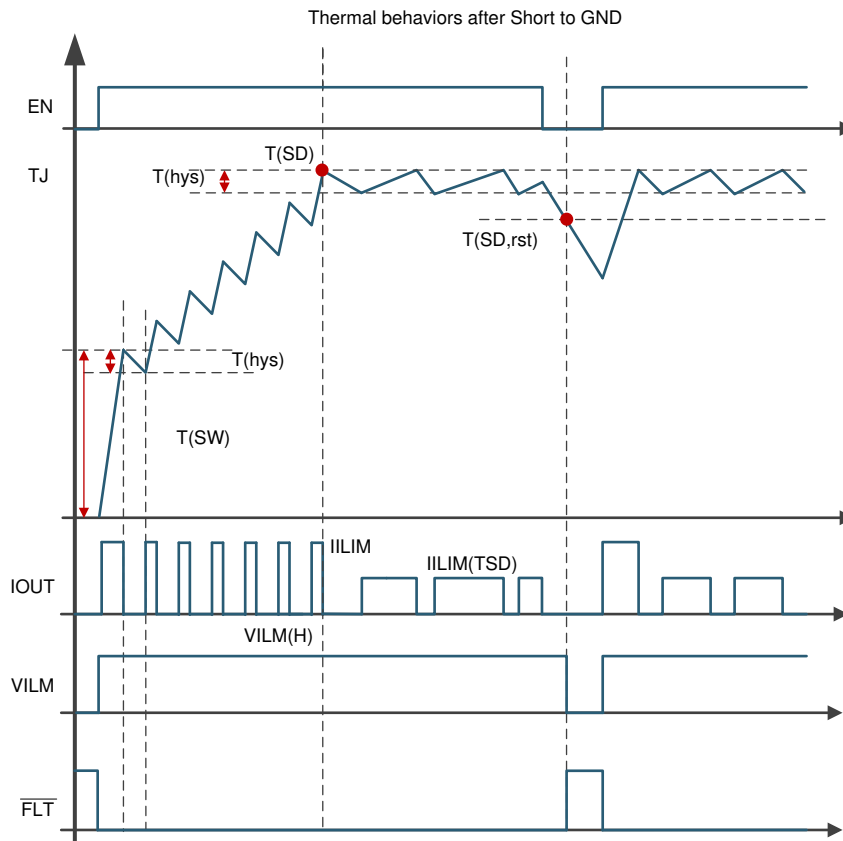


Figure 30. Thermal Behavior Diagram

### 7.3.4.5 UVLO Protection

The device monitors the supply voltage  $V_{IN}$ , to prevent unpredicted behaviors when  $V_{IN}$  is too low. When  $V_{IN}$  falls down to  $V_{IN(uvf)}$ , the device shuts down. When  $V_{IN}$  rises up to  $V_{IN(uvr)}$ , the device turns on.

### 7.3.4.6 Loss of GND Protection

When loss of GND occurs, output is shut down regardless of whether the EN pin is high or low. The device can protect against two ground-loss conditions, loss of device GND and loss of module GND.

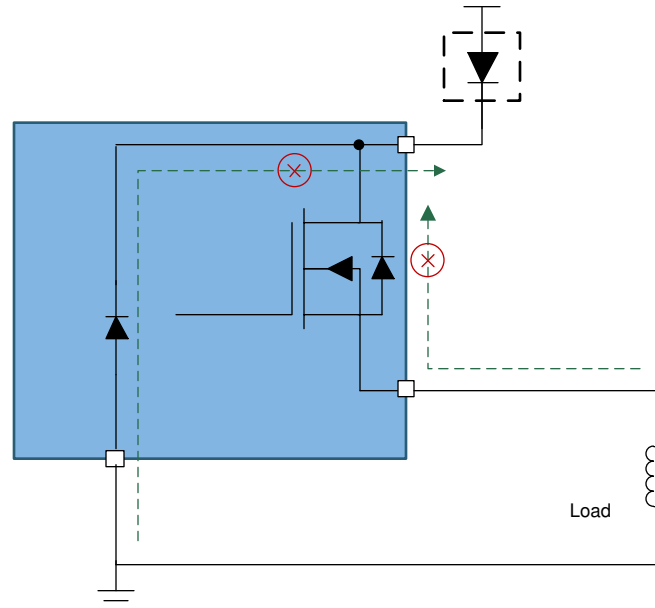
### 7.3.4.7 Reverse Current Protection

Reverse current occurs in two conditions: short to supply and reverse polarity.

- When a short to the supply occurs, there is only reverse current through the body diode.  $I_{R(1)}$  specifies the limit of the reverse current.
- In a reverse-polarity condition, there are reverse currents through the body diode and the device GND pin.  $I_{R(2)}$  specifies the limit of the reverse current.

To protect the device, TI recommends two types of external circuitry.

- Adding a blocking diode. Both the IC and load are protected when in reverse polarity.



**Figure 31. Reverse-Current External Protection, Method 1**

- Adding a GND network. The reverse current through the device GND is blocked. The reverse current through the FET is limited by the load itself. TI recommends a resistor in parallel with the diode as a GND network. The recommended selection are 1-k $\Omega$  resistor in parallel with an >100-mA diode. The reverse current protection diode in the GND network forward voltage should be less than 0.6 V in any circumstances. In addition a minimum resistance of 4.7 K is recommended on the I/O pins.

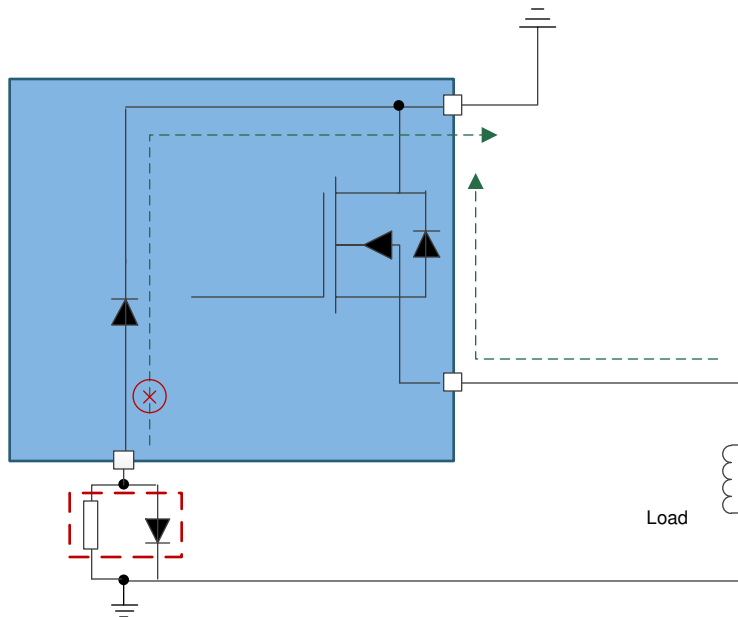


Figure 32. Reverse-Current External Protection, Method 2

#### 7.3.4.8 Protection for MCU I/Os

TI recommends serial resistors to protect the microcontroller, for example, 4.7-k $\Omega$  when using a 3.3-V microcontroller and 10-k $\Omega$  for a 5-V microcontroller.

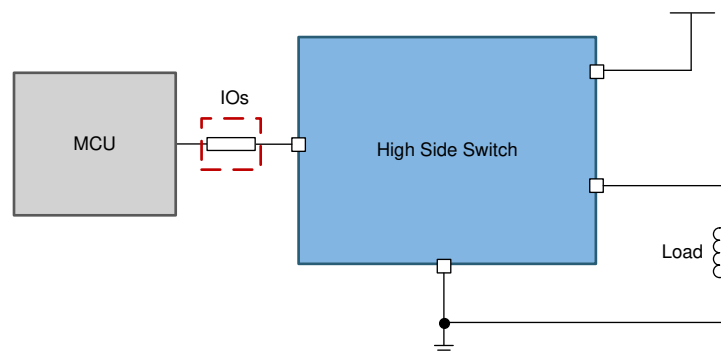


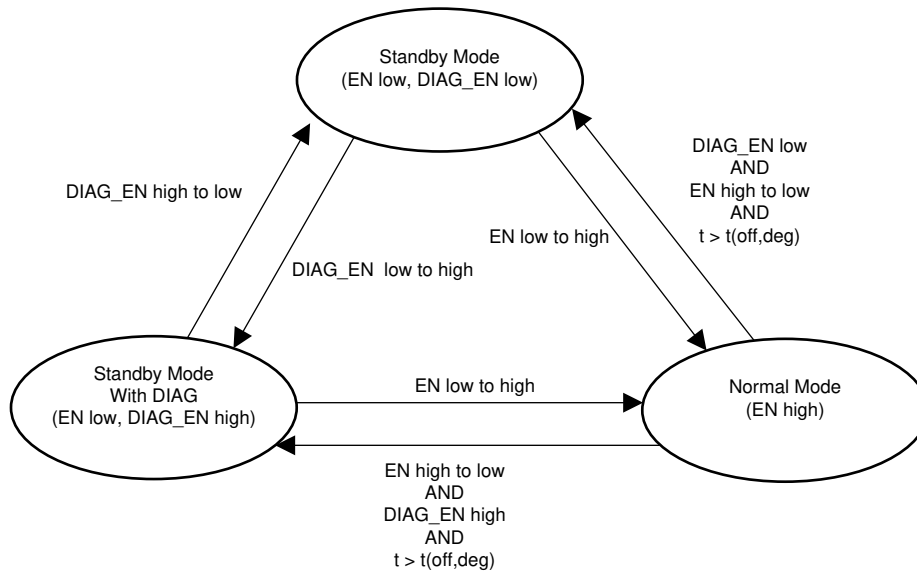
Figure 33. MCU I/O External Protection

## 7.4 Device Functional Modes

### 7.4.1 Working Mode

The device has three working modes: the normal mode, the standby mode, and the standby mode with diagnostics.

**Device Functional Modes (continued)**



**Figure 34. Working Modes**

## 8 Application and Implementation

### NOTE

Information in the following applications sections is not part of the TI component specification, and TI does not warrant its accuracy or completeness. TI's customers are responsible for determining suitability of components for their purposes. Customers should validate and test their design implementation to confirm system functionality.

### 8.1 Application Information

The device is capable of driving a wide variety of resistive, inductive, and capacitive loads. Full diagnostics and high accuracy current-monitor features enable intelligent control of the load. An external adjustable current limit improves the reliability of the whole system by clamping the inrush or overload current.

### 8.2 Typical Application

Figure 35 shows an example of how to design the external circuitry parameters.

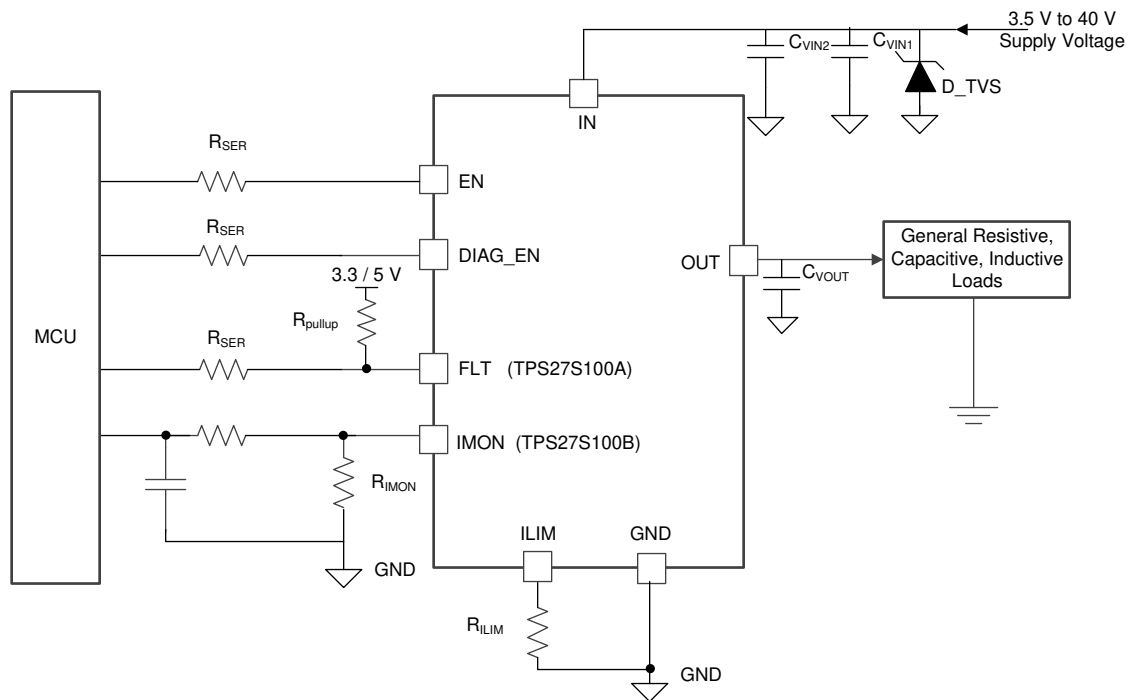


Figure 35. Typical Application Circuitry

Table 3. Recommended External Components

COMPONENT	TYPICAL VALUE	PURPOSE
R <sub>SER</sub>	15 kΩ	Protect microcontroller and device I/O pins
R <sub>IMON</sub>	1 kΩ	Translate the sense current into sense voltage
C <sub>SNS</sub>	100 pF - 10 nF	Low-pass filter for the ADC input
R <sub>ILIM</sub>	0.82 kΩ	Set current limit threshold
C <sub>VIN1/2</sub>	4.7 nF to Device GND	Filtering of high frequency noise
	220 nF to Module GND	Stabilize the input supply and voltage spike suppression for surge transient immunity.
C <sub>OUT</sub>	22 nF	Immunity to ESD
D <sub>TVS</sub>	36V TVS diode	Transient voltage clamp for surge transient immunity

### 8.2.1 Design Requirements

- $V_{IN}$  range from 9 V to 30 V
- Nominal current of 2 A
- Current Monitor for fault monitoring
- Expected current limit value of 5 A
- Full diagnostics with 5-V MCU

### 8.2.2 Detailed Design Procedure

To keep the 2-A nominal current in the 0 to 4-V current-sense range, calculate the  $R_{IMON}$  resistor using Equation 3. To achieve better current-sense accuracy, a 1% tolerance or better resistor is preferred.

$$R_{IMON} = \frac{V_{IMON} \times K_{(IMON)}}{I_{OUT}} = \frac{4 \times 500}{2} = 1000 \Omega \tag{3}$$

To set the adjustable current limit value at 5-A, calculate  $R_{ILIM}$  using Equation 4.

$$R_{ILIM} = \frac{V_{LIM(th)} \cdot K_{(ILIM)}}{I_{OUT}} = \frac{1.233 \cdot 2000}{5} = 493.2 \Omega \tag{4}$$

TI recommends  $R_{SER} = 10 \text{ k}\Omega$  for 5-V MCU, and  $R_{pullup} = 10 \text{ k}\Omega$  as the pull-up resistor.

### 8.2.3 Application Curves

Figure 36 shows a an example of initial inrush or short-circuit current limit. Test conditions: EN is from low to high, load is resistive short-to-GND or with a 470- $\mu\text{F}$  capacitive load, external current limit is 2 A. CH1 is the output current. CH3 is the EN step.

Figure 37 shows an example of current limit during hard short-circuit. Test conditions: EN is high, load is (5  $\mu\text{H}$  + 100 m $\Omega$ ), external current limit is 1 A. A short to GND suddenly happens.

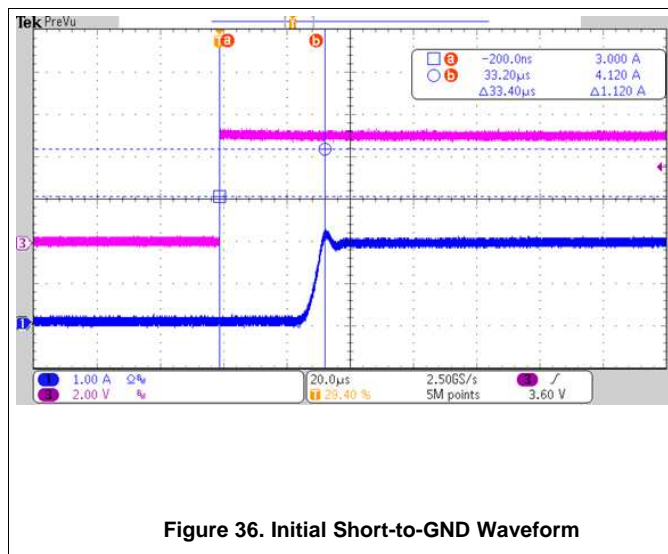


Figure 36. Initial Short-to-GND Waveform

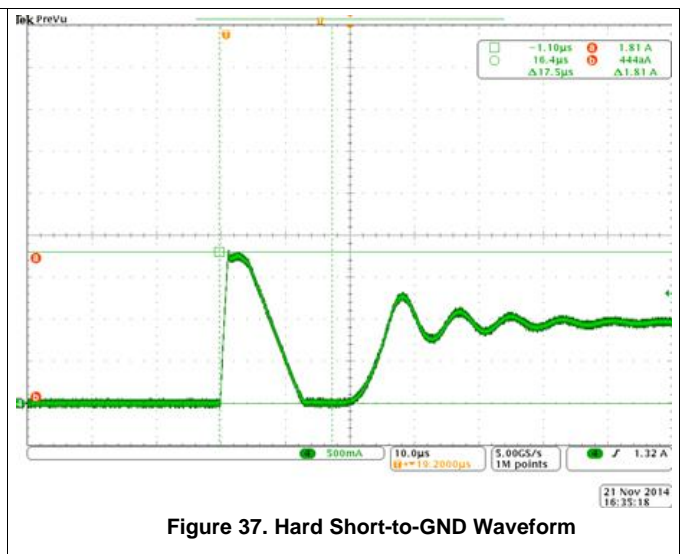


Figure 37. Hard Short-to-GND Waveform

## 9 Power Supply Recommendations

The device is qualified for both 12-V and 24-V applications. The typical power input is a 12-V or 24-V industrial power supply.

## 10 Layout

### 10.1 Layout Guidelines

To prevent thermal shutdown,  $T_J$  must be less than 150°C. If the output current is very high, the power dissipation may be large. The HTSSOP package has good thermal impedance. However, the PCB layout is very important. Good PCB design can optimize heat transfer, which is absolutely essential for the long-term reliability of the device.

- Maximize the copper coverage on the PCB to increase the thermal conductivity of the board. The major heat-flow path from the package to the ambient is through the copper on the PCB. Maximum copper is extremely important when there are not any heat sinks attached to the PCB on the other side of the board opposite the package.
- Add as many thermal vias as possible directly under the package ground pad to optimize the thermal conductivity of the board.
- All thermal vias should either be plated shut or plugged and capped on both sides of the board to prevent solder voids. To ensure reliability and performance, the solder coverage should be at least 85%.

### 10.2 Layout Example

#### 10.2.1 Without a GND Network

Without a GND network, tie the thermal pad directly to the board GND copper for better thermal performance.

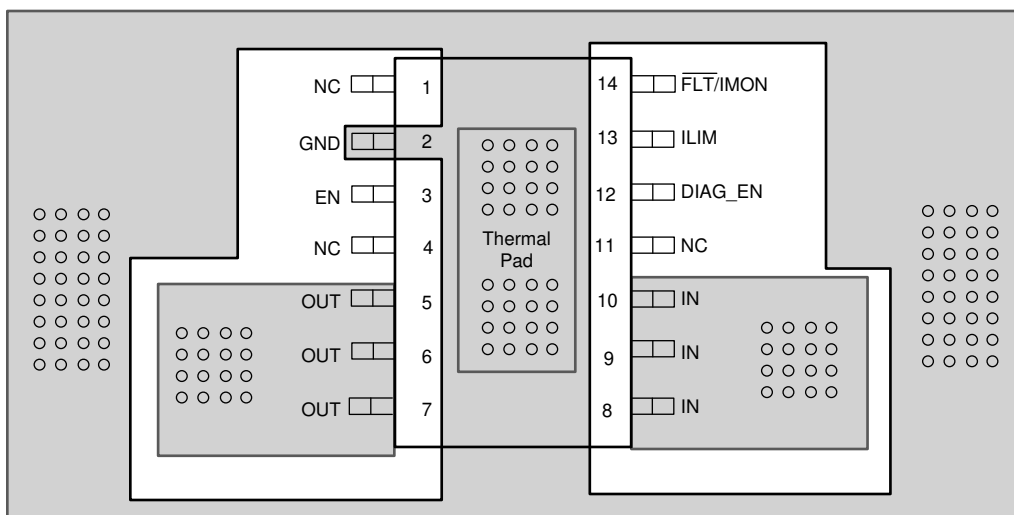
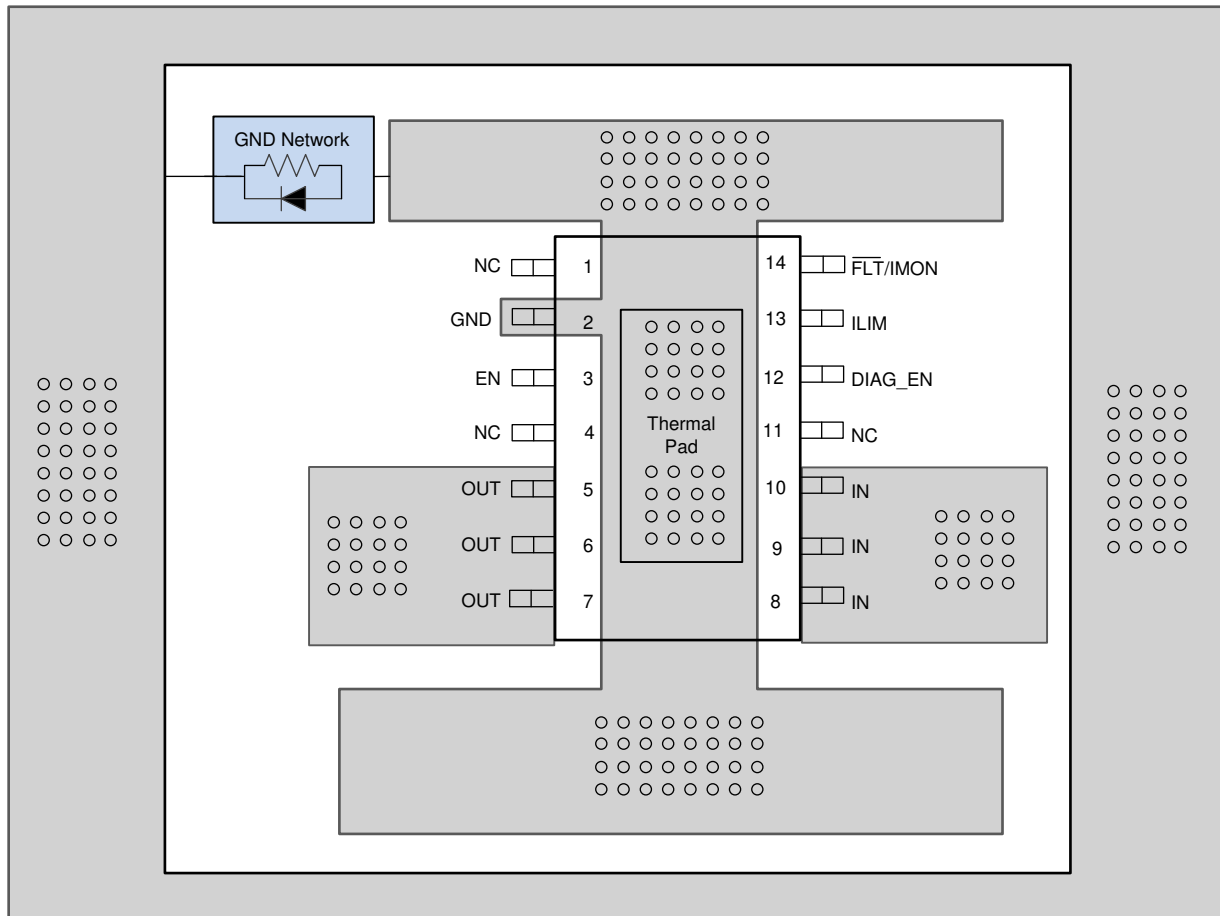


Figure 38. Layout Without a GND Network

**Layout Example (continued)**

**10.2.2 With a GND Network**

With a GND network, tie the thermal pad with a single trace through the GND network to the board GND copper.



**Figure 39. Layout With a GND Network**

## 11 Device and Documentation Support

### 11.1 Receiving Notification of Documentation Updates

To receive notification of documentation updates, navigate to the device product folder on ti.com. In the upper right corner, click on *Alert me* to register and receive a weekly digest of any product information that has changed. For change details, review the revision history included in any revised document.

### 11.2 Community Resources

[TI E2E™ support forums](#) are an engineer's go-to source for fast, verified answers and design help — straight from the experts. Search existing answers or ask your own question to get the quick design help you need.

Linked content is provided "AS IS" by the respective contributors. They do not constitute TI specifications and do not necessarily reflect TI's views; see TI's [Terms of Use](#).

### 11.3 Trademarks

E2E is a trademark of Texas Instruments.

All other trademarks are the property of their respective owners.

### 11.4 Electrostatic Discharge Caution



This integrated circuit can be damaged by ESD. Texas Instruments recommends that all integrated circuits be handled with appropriate precautions. Failure to observe proper handling and installation procedures can cause damage.

ESD damage can range from subtle performance degradation to complete device failure. Precision integrated circuits may be more susceptible to damage because very small parametric changes could cause the device not to meet its published specifications.

### 11.5 Glossary

[SLYZ022](#) — *TI Glossary*.

This glossary lists and explains terms, acronyms, and definitions.

## 12 Mechanical, Packaging, and Orderable Information

The following pages include mechanical, packaging, and orderable information. This information is the most current data available for the designated devices. This data is subject to change without notice and revision of this document. For browser-based versions of this data sheet, refer to the left-hand navigation.

**PACKAGING INFORMATION**

Orderable part number	Status (1)	Material type (2)	Package   Pins	Package qty   Carrier	RoHS (3)	Lead finish/ Ball material (4)	MSL rating/ Peak reflow (5)	Op temp (°C)	Part marking (6)
<a href="#">TPS27S100APWPR</a>	Active	Production	HTSSOP (PWP)   14	2000   LARGE T&R	Yes	NIPDAU	Level-3-260C-168 HR	-40 to 125	27S1A
TPS27S100APWPR.A	Active	Production	null (null)	2000   LARGE T&R	Yes	NIPDAU	Level-3-260C-168 HR	-40 to 125	27S1A
TPS27S100APWPRG4.A	Active	Production	HTSSOP (PWP)   14	2000   LARGE T&R	Yes	NIPDAU	Level-3-260C-168 HR	-40 to 125	27S1A
<a href="#">TPS27S100APWPT</a>	Active	Production	HTSSOP (PWP)   14	250   SMALL T&R	Yes	NIPDAU	Level-3-260C-168 HR	-40 to 125	27S1A
TPS27S100APWPT.A	Active	Production	null (null)	250   SMALL T&R	Yes	NIPDAU	Level-3-260C-168 HR	-40 to 125	27S1A
<a href="#">TPS27S100ARRKR</a>	Active	Production	WQFN (RRK)   16	3000   LARGE T&R	Yes	NIPDAU	Level-1-260C-UNLIM	-40 to 125	27S100A
TPS27S100ARRKR.A	Active	Production	WQFN (RRK)   16	3000   LARGE T&R	Yes	NIPDAU	Level-1-260C-UNLIM	-40 to 125	27S100A
<a href="#">TPS27S100ARRKT</a>	Active	Production	WQFN (RRK)   16	250   SMALL T&R	Yes	NIPDAU	Level-1-260C-UNLIM	-40 to 125	27S100A
TPS27S100ARRKT.A	Active	Production	WQFN (RRK)   16	250   SMALL T&R	Yes	NIPDAU	Level-1-260C-UNLIM	-40 to 125	27S100A
<a href="#">TPS27S100BPWPR</a>	Active	Production	HTSSOP (PWP)   14	2000   LARGE T&R	Yes	NIPDAU	Level-3-260C-168 HR	-40 to 125	27S1B
TPS27S100BPWPR.A	Active	Production	null (null)	2000   LARGE T&R	Yes	NIPDAU	Level-3-260C-168 HR	-40 to 125	27S1B
<a href="#">TPS27S100BPWPT</a>	Active	Production	HTSSOP (PWP)   14	250   SMALL T&R	Yes	NIPDAU	Level-3-260C-168 HR	-40 to 125	27S1B
TPS27S100BPWPT.A	Active	Production	null (null)	250   SMALL T&R	Yes	NIPDAU	Level-3-260C-168 HR	-40 to 125	27S1B
<a href="#">TPS27S100BRRKR</a>	Active	Production	WQFN (RRK)   16	3000   LARGE T&R	Yes	NIPDAU	Level-1-260C-UNLIM	-40 to 125	27S100B
TPS27S100BRRKR.A	Active	Production	WQFN (RRK)   16	3000   LARGE T&R	Yes	NIPDAU	Level-1-260C-UNLIM	-40 to 125	27S100B
TPS27S100BRRKRG4	Active	Production	WQFN (RRK)   16	3000   LARGE T&R	Yes	NIPDAU	Level-1-260C-UNLIM	-40 to 125	27S100B
TPS27S100BRRKRG4.A	Active	Production	WQFN (RRK)   16	3000   LARGE T&R	Yes	NIPDAU	Level-1-260C-UNLIM	-40 to 125	27S100B
<a href="#">TPS27S100BRRKT</a>	Active	Production	WQFN (RRK)   16	250   SMALL T&R	Yes	NIPDAU	Level-1-260C-UNLIM	-40 to 125	27S100B
TPS27S100BRRKT.A	Active	Production	WQFN (RRK)   16	250   SMALL T&R	Yes	NIPDAU	Level-1-260C-UNLIM	-40 to 125	27S100B

(1) **Status:** For more details on status, see our [product life cycle](#).

(2) **Material type:** When designated, preproduction parts are prototypes/experimental devices, and are not yet approved or released for full production. Testing and final process, including without limitation quality assurance, reliability performance testing, and/or process qualification, may not yet be complete, and this item is subject to further changes or possible discontinuation. If available for ordering, purchases will be subject to an additional waiver at checkout, and are intended for early internal evaluation purposes only. These items are sold without warranties of any kind.

(3) **RoHS values:** Yes, No, RoHS Exempt. See the [TI RoHS Statement](#) for additional information and value definition.

(4) **Lead finish/Ball material:** Parts may have multiple material finish options. Finish options are separated by a vertical ruled line. Lead finish/Ball material values may wrap to two lines if the finish value exceeds the maximum column width.

<sup>(5)</sup> **MSL rating/Peak reflow:** The moisture sensitivity level ratings and peak solder (reflow) temperatures. In the event that a part has multiple moisture sensitivity ratings, only the lowest level per JEDEC standards is shown. Refer to the shipping label for the actual reflow temperature that will be used to mount the part to the printed circuit board.

<sup>(6)</sup> **Part marking:** There may be an additional marking, which relates to the logo, the lot trace code information, or the environmental category of the part.

Multiple part markings will be inside parentheses. Only one part marking contained in parentheses and separated by a "~" will appear on a part. If a line is indented then it is a continuation of the previous line and the two combined represent the entire part marking for that device.

**Important Information and Disclaimer:** The information provided on this page represents TI's knowledge and belief as of the date that it is provided. TI bases its knowledge and belief on information provided by third parties, and makes no representation or warranty as to the accuracy of such information. Efforts are underway to better integrate information from third parties. TI has taken and continues to take reasonable steps to provide representative and accurate information but may not have conducted destructive testing or chemical analysis on incoming materials and chemicals. TI and TI suppliers consider certain information to be proprietary, and thus CAS numbers and other limited information may not be available for release.

In no event shall TI's liability arising out of such information exceed the total purchase price of the TI part(s) at issue in this document sold by TI to Customer on an annual basis.

**TAPE AND REEL INFORMATION**

**QUADRANT ASSIGNMENTS FOR PIN 1 ORIENTATION IN TAPE**

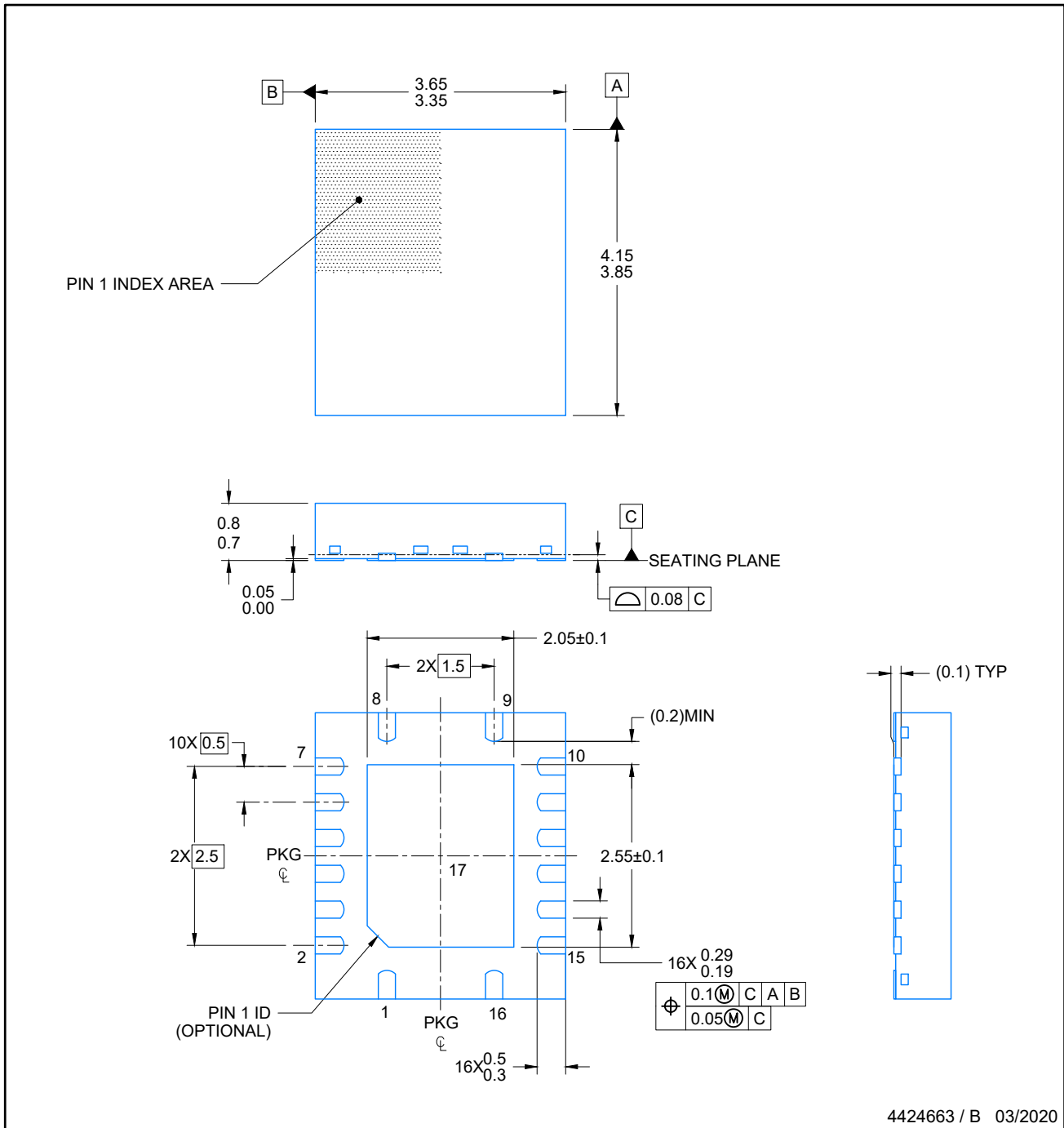

\*All dimensions are nominal

Device	Package Type	Package Drawing	Pins	SPQ	Reel Diameter (mm)	Reel Width W1 (mm)	A0 (mm)	B0 (mm)	K0 (mm)	P1 (mm)	W (mm)	Pin1 Quadrant
TPS27S100APWPR	HTSSOP	PWP	14	2000	330.0	12.4	6.9	5.6	1.6	8.0	12.0	Q1
TPS27S100ARRKR	WQFN	RRK	16	3000	330.0	12.4	3.8	4.3	1.5	8.0	12.0	Q1
TPS27S100ARRKT	WQFN	RRK	16	250	180.0	12.4	3.8	4.3	1.5	8.0	12.0	Q1
TPS27S100BPWPR	HTSSOP	PWP	14	2000	330.0	12.4	6.9	5.6	1.6	8.0	12.0	Q1
TPS27S100BRRKR	WQFN	RRK	16	3000	330.0	12.4	3.8	4.3	1.5	8.0	12.0	Q1
TPS27S100BRRKRG4	WQFN	RRK	16	3000	330.0	12.4	3.8	4.3	1.5	8.0	12.0	Q1
TPS27S100BRRKT	WQFN	RRK	16	250	180.0	12.4	3.8	4.3	1.5	8.0	12.0	Q1

**TAPE AND REEL BOX DIMENSIONS**

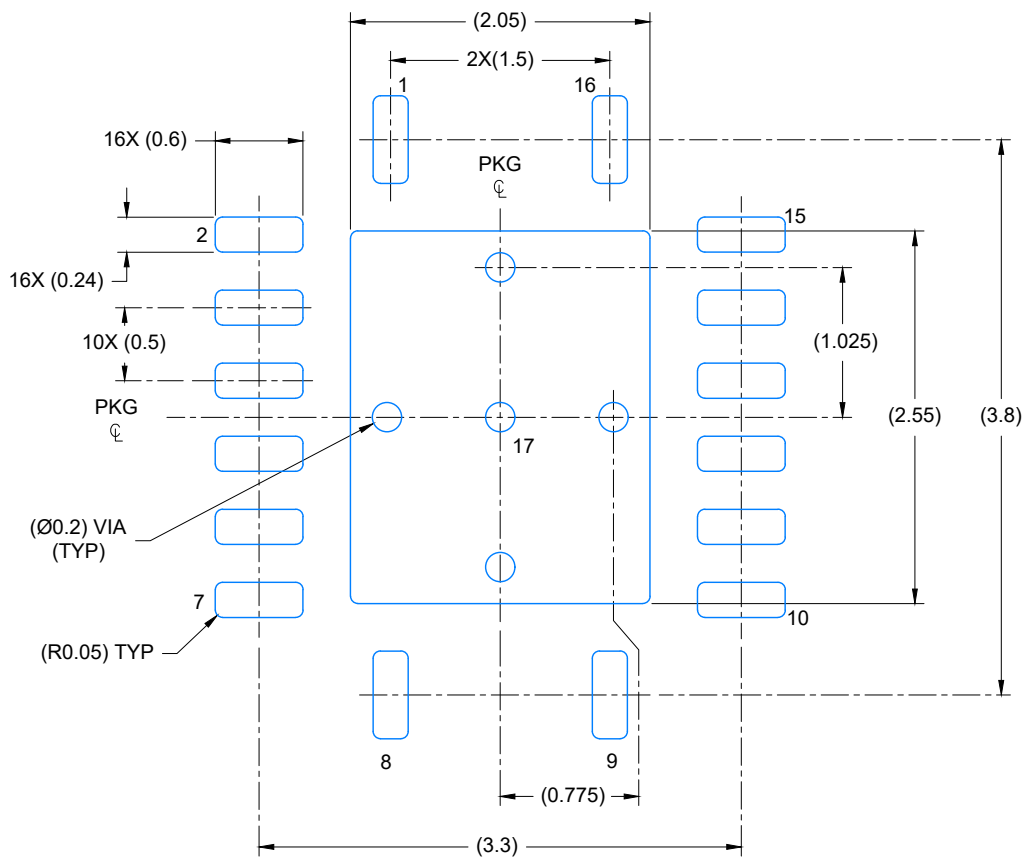

\*All dimensions are nominal

Device	Package Type	Package Drawing	Pins	SPQ	Length (mm)	Width (mm)	Height (mm)
TPS27S100APWPR	HTSSOP	PWP	14	2000	350.0	350.0	43.0
TPS27S100ARRKR	WQFN	RRK	16	3000	367.0	367.0	35.0
TPS27S100ARRKT	WQFN	RRK	16	250	210.0	185.0	35.0
TPS27S100BPWPR	HTSSOP	PWP	14	2000	350.0	350.0	43.0
TPS27S100BRRKR	WQFN	RRK	16	3000	367.0	367.0	35.0
TPS27S100BRRKRG4	WQFN	RRK	16	3000	367.0	367.0	35.0
TPS27S100BRRKT	WQFN	RRK	16	250	210.0	185.0	35.0

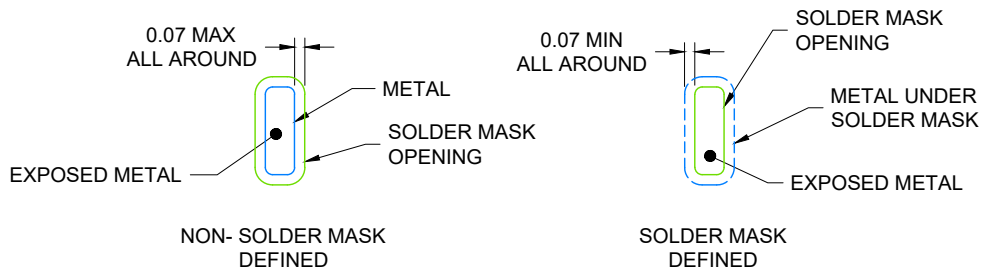


NOTES:

1. All linear dimensions are in millimeters. Any dimensions in parenthesis are for reference only. Dimensioning and tolerancing per ASME Y14.5M.
2. This drawing is subject to change without notice.



LAND PATTERN EXAMPLE  
EXPOSED METAL SHOWN  
SCALE: 20X



SOLDER MASK DETAILS

4424663 / B 03/2020

NOTES: (continued)

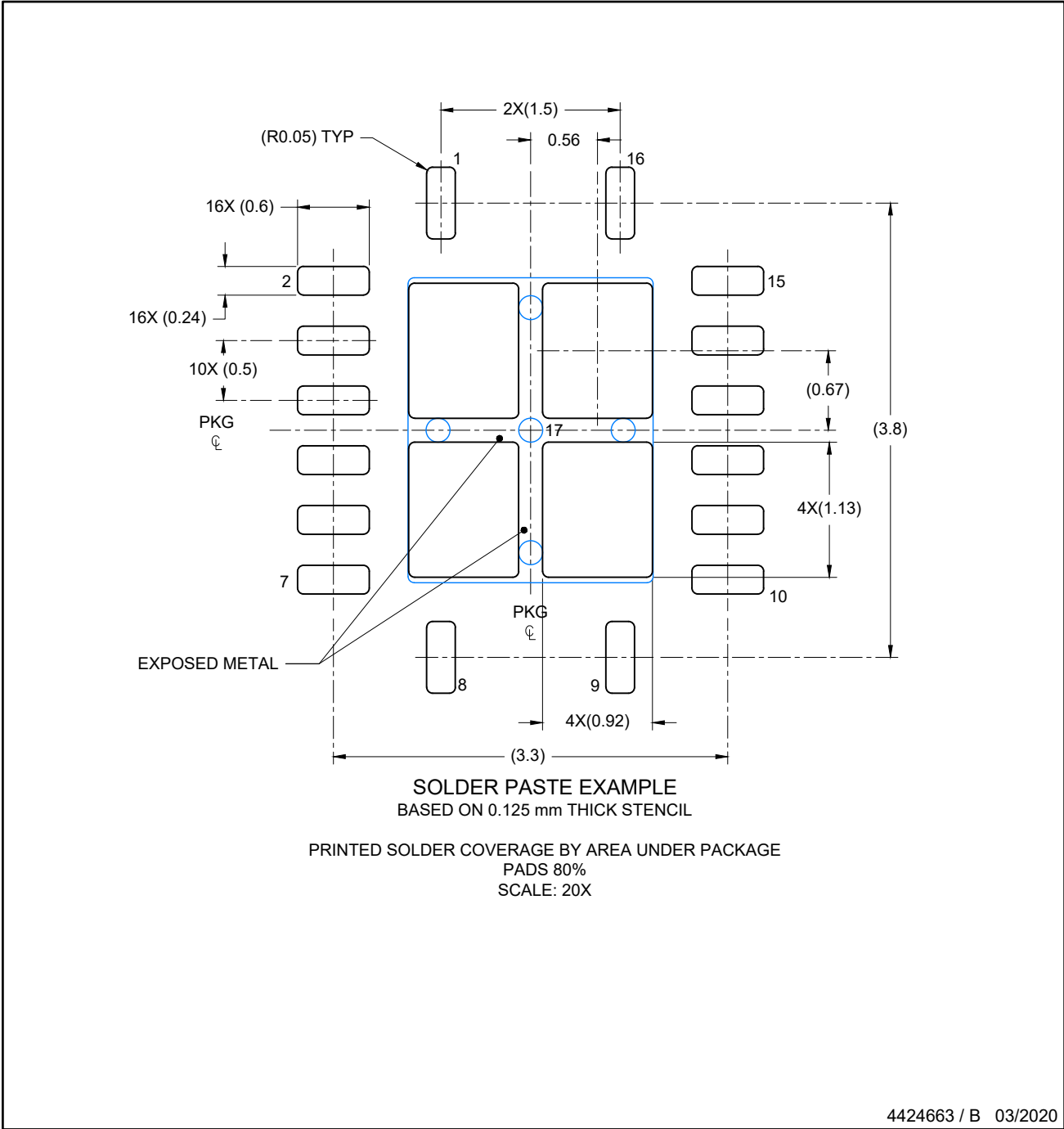
3. For more information, see Texas Instruments literature number SLUA271 ([www.ti.com/lit/slua271](http://www.ti.com/lit/slua271)).
4. Solder mask tolerances between and around signal pads can vary based on board fabrication site.

# EXAMPLE STENCIL DESIGN

WQFN - 0.8 mm max height

RRK0016A

PLASTIC QUAD FLATPACK- NO LEAD



NOTES: (continued)

- 5. Laser cutting apertures with trapezoidal walls and rounded corners may offer better paste release. IPC-7525 may have alternate design recommendations..

## GENERIC PACKAGE VIEW

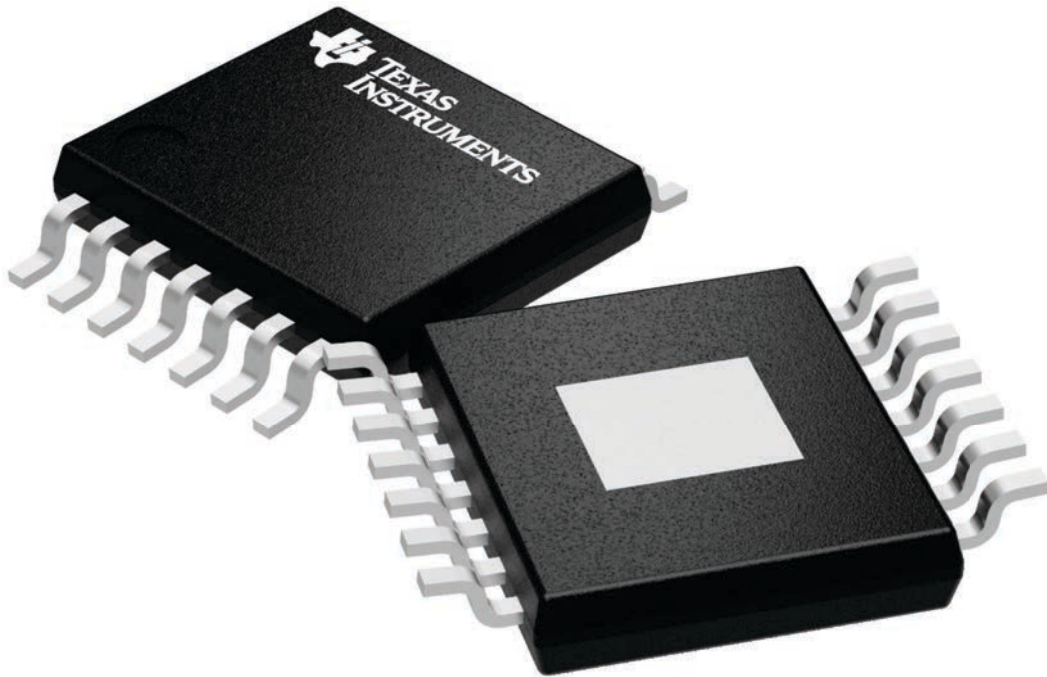
**PWP 14**

**PowerPAD TSSOP - 1.2 mm max height**

4.4 x 5.0, 0.65 mm pitch

PLASTIC SMALL OUTLINE

This image is a representation of the package family, actual package may vary.  
Refer to the product data sheet for package details.



4224995/A

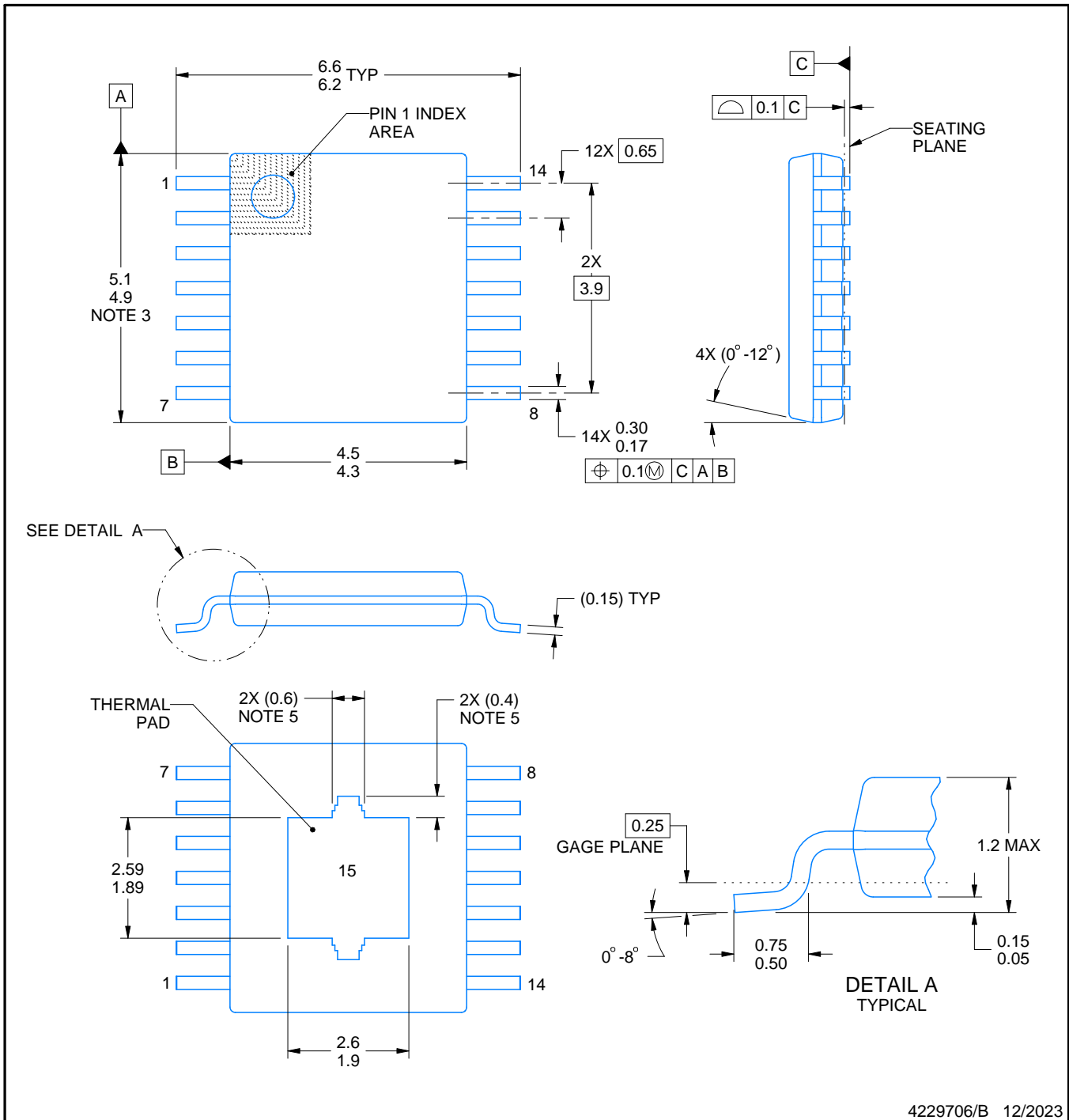
PWP0014K



# PACKAGE OUTLINE

PowerPAD™ TSSOP - 1.2 mm max height

SMALL OUTLINE PACKAGE



4229706/B 12/2023

NOTES:

PowerPAD is a trademark of Texas Instruments.

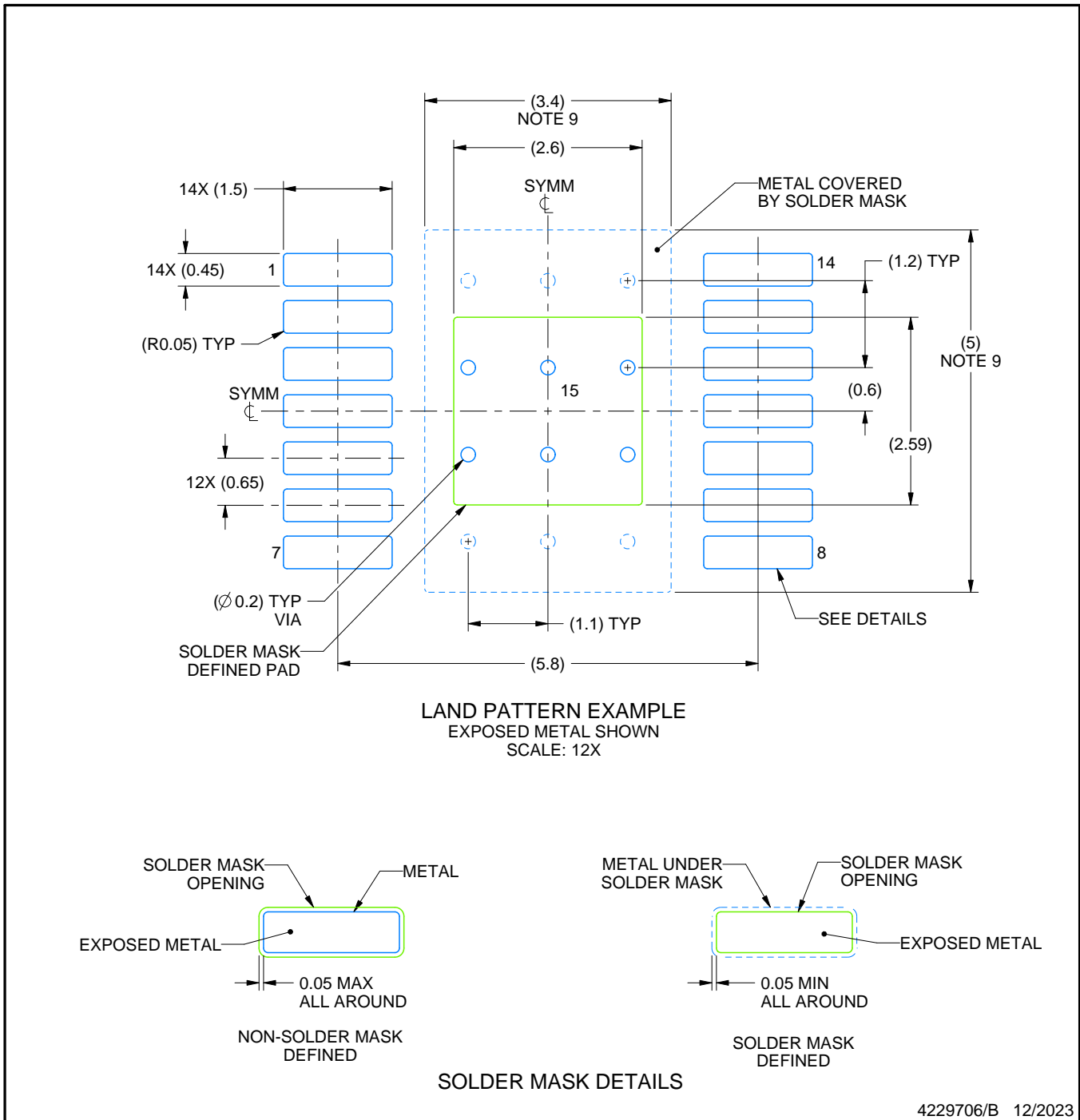
1. All linear dimensions are in millimeters. Any dimensions in parenthesis are for reference only. Dimensioning and tolerancing per ASME Y14.5M.
2. This drawing is subject to change without notice.
3. This dimension does not include mold flash, protrusions, or gate burrs. Mold flash, protrusions, or gate burrs shall not exceed 0.15 mm per side.
4. Reference JEDEC registration MO-153.
5. Features may differ or may not be present.

# EXAMPLE BOARD LAYOUT

PWP0014K

PowerPAD™ TSSOP - 1.2 mm max height

SMALL OUTLINE PACKAGE



NOTES: (continued)

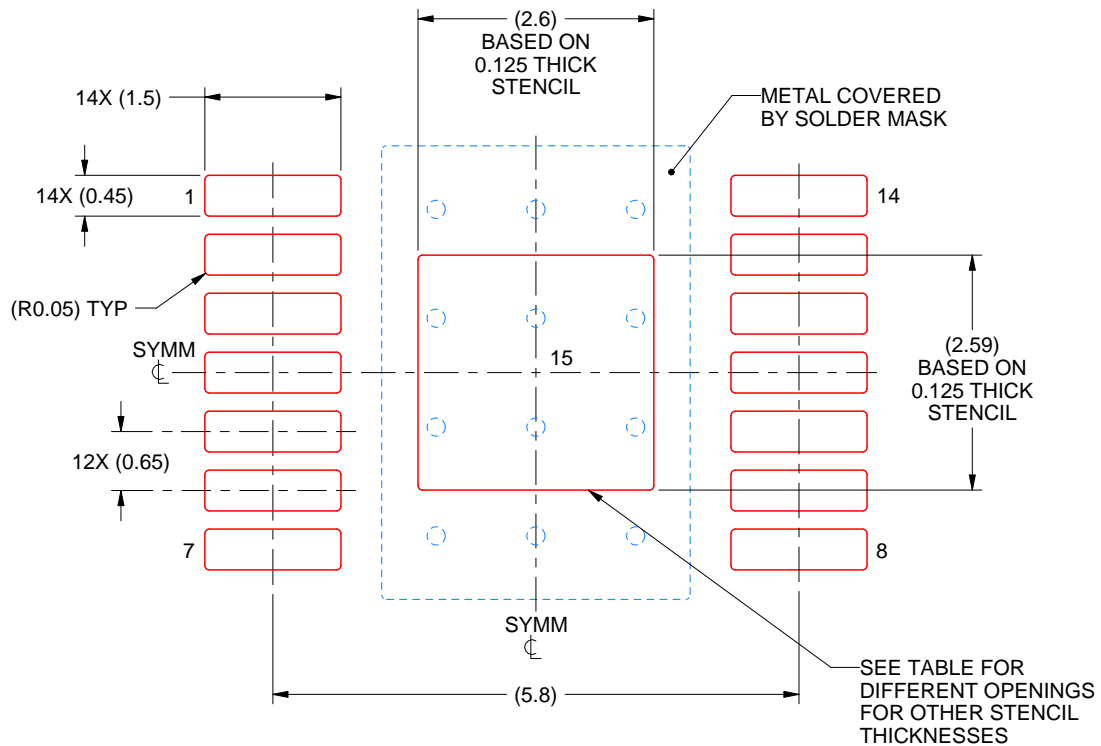
6. Publication IPC-7351 may have alternate designs.
7. Solder mask tolerances between and around signal pads can vary based on board fabrication site.
8. This package is designed to be soldered to a thermal pad on the board. For more information, see Texas Instruments literature numbers SLMA002 ([www.ti.com/lit/slma002](http://www.ti.com/lit/slma002)) and SLMA004 ([www.ti.com/lit/slma004](http://www.ti.com/lit/slma004)).
9. Size of metal pad may vary due to creepage requirement.
10. Vias are optional depending on application, refer to device data sheet. It is recommended that vias under paste be filled, plugged or tented.

# EXAMPLE STENCIL DESIGN

PWP0014K

PowerPAD™ TSSOP - 1.2 mm max height

SMALL OUTLINE PACKAGE



SOLDER PASTE EXAMPLE  
BASED ON 0.125 mm THICK STENCIL  
SCALE: 12X

STENCIL THICKNESS	SOLDER STENCIL OPENING
0.1	2.91 X 2.90
0.125	2.60 X 2.59 (SHOWN)
0.15	2.37 X 2.36
0.175	2.20 X 2.19

4229706/B 12/2023

NOTES: (continued)

11. Laser cutting apertures with trapezoidal walls and rounded corners may offer better paste release. IPC-7525 may have alternate design recommendations.
12. Board assembly site may have different recommendations for stencil design.

## IMPORTANT NOTICE AND DISCLAIMER

TI PROVIDES TECHNICAL AND RELIABILITY DATA (INCLUDING DATA SHEETS), DESIGN RESOURCES (INCLUDING REFERENCE DESIGNS), APPLICATION OR OTHER DESIGN ADVICE, WEB TOOLS, SAFETY INFORMATION, AND OTHER RESOURCES "AS IS" AND WITH ALL FAULTS, AND DISCLAIMS ALL WARRANTIES, EXPRESS AND IMPLIED, INCLUDING WITHOUT LIMITATION ANY IMPLIED WARRANTIES OF MERCHANTABILITY, FITNESS FOR A PARTICULAR PURPOSE OR NON-INFRINGEMENT OF THIRD PARTY INTELLECTUAL PROPERTY RIGHTS.

These resources are intended for skilled developers designing with TI products. You are solely responsible for (1) selecting the appropriate TI products for your application, (2) designing, validating and testing your application, and (3) ensuring your application meets applicable standards, and any other safety, security, regulatory or other requirements.

These resources are subject to change without notice. TI grants you permission to use these resources only for development of an application that uses the TI products described in the resource. Other reproduction and display of these resources is prohibited. No license is granted to any other TI intellectual property right or to any third party intellectual property right. TI disclaims responsibility for, and you will fully indemnify TI and its representatives against, any claims, damages, costs, losses, and liabilities arising out of your use of these resources.

TI's products are provided subject to [TI's Terms of Sale](#) or other applicable terms available either on [ti.com](#) or provided in conjunction with such TI products. TI's provision of these resources does not expand or otherwise alter TI's applicable warranties or warranty disclaimers for TI products.

TI objects to and rejects any additional or different terms you may have proposed.

Mailing Address: Texas Instruments, Post Office Box 655303, Dallas, Texas 75265

Copyright © 2025, Texas Instruments Incorporated