

TDP20MB421 DisplayPort 2.1 24Gbps 4-Channel Linear Redriver with 2:1 MUX

1 Features

- Four channel DisplayPort 2.1 linear redriver or repeater with integrated 2:1 MUX
- Supports embedded (eDP) and DisplayPort 2.1 up to 20Gbps - RBR, HBRx, UHBRx
- Supports DP++ (also called an AC-coupled HDMI) up to 24Gbps
- Protocol agnostic, linear equalizer supporting AC coupled interfaces up to 24Gbps
- Single 3.3V supply
- Low 720mW active power for 4-channel operation
- Excellent electrical performance at 20Gbps (10GHz Nyquist):
 - 19dB equalization
 - 1.8V DC linearity, 1.08V AC linearity
 - -15dB / -16dB Rx / Tx return loss
 - -60dB NEXT, -43dB FEXT crosstalk
 - 70fs low additive RJ with PRBS data
- Low latency of 90ps
- Transparent to DisplayPort 1.4 and 2.1 link training
- Device configuration by pin control or SMBus / I²C
 - 18EQ boost settings, 5 flat gain settings
- -40°C to 85°C temperature range
- 3.5 × 9mm 42 Pin 0.5mm pitch WQFN package

2 Applications

- [Desktop PC and motherboard](#)
- [PC, notebooks, tablets](#)
- [Docking stations](#)
- [TV, gaming, home theater, and entertainment](#)
- [Pro audio, video, and signage](#)
- [Test and measurement](#)
- [Medical](#)
- [Flat panel monitors](#)

3 Description

The TDP20MB421 is a 4-channel linear redriver with an integrated 2:1 MUX. The low-power, high-performance linear redriver is designed to support DisplayPort 2.1 up to 20Gbps.

The TDP20MB421 receivers deploy continuous time linear equalizers (CTLE) to provide a programmable high-frequency boost. The equalizer opens an input eye that is completely closed due to inter-symbol interference (ISI) induced by an interconnect medium, such as PCB traces. A CTLE receiver is followed by a linear output driver. The linear data paths of TDP20MB421 preserve the characteristics of the transmit preset. High bandwidth, low channel-to-channel crosstalk, low additive jitter, and excellent return loss make the device almost a passive element in the link. The DisplayPort link training is effective through the device as the device becomes part of the passive channel between the source Tx and sink Rx. The device transparency in the link-training protocol results in the best electrical link and lowest possible latency. The data path of the device uses an internally regulated power rail that provides high immunity to supply noise on the board.

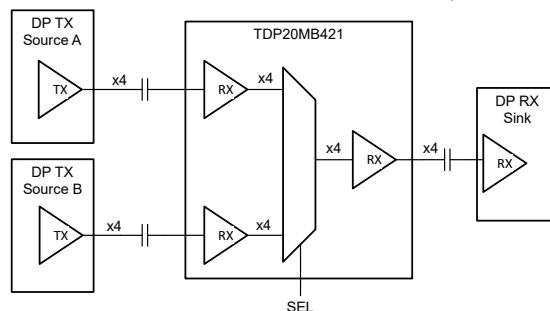
The TDP20MB421 implements high-speed testing during production for reliable, high-volume manufacturing. The device also has low AC and DC gain variation, providing consistent equalization in high-volume platform deployment.

Package Information

PART NUMBER	PACKAGE ⁽¹⁾	PACKAGE SIZE ⁽²⁾
TDP20MB421	RUA (WQFN, 42)	9mm × 3.5mm

(1) For more information, see [Section 10](#).

(2) The package size (length × width) is a nominal value and includes pins, where applicable.



Application Use Case



Table of Contents

1 Features	1	6.4 Device Functional Modes.....	13
2 Applications	1	6.5 Programming.....	13
3 Description	1	7 Application and Implementation	17
4 Pin Configuration and Functions	3	7.1 Application Information.....	17
5 Specifications	6	7.2 Typical Applications.....	17
5.1 Absolute Maximum Ratings.....	6	7.3 Power Supply Recommendations.....	19
5.2 ESD Ratings.....	6	7.4 Layout.....	19
5.3 Recommended Operating Conditions.....	6	8 Device and Documentation Support	21
5.4 Thermal Information.....	7	8.1 Receiving Notification of Documentation Updates....	21
5.5 DC Electrical Characteristics.....	7	8.2 Support Resources.....	21
5.6 High-Speed Electrical Characteristics.....	8	8.3 Trademarks.....	21
5.7 SMBUS/I2C Timing Characteristics.....	9	8.4 Electrostatic Discharge Caution.....	21
5.8 Typical Characteristics.....	10	8.5 Glossary.....	21
6 Detailed Description	11	9 Revision History	21
6.1 Overview.....	11	10 Mechanical, Packaging, and Orderable Information	21
6.2 Functional Block Diagram.....	11		
6.3 Feature Description.....	12		

4 Pin Configuration and Functions

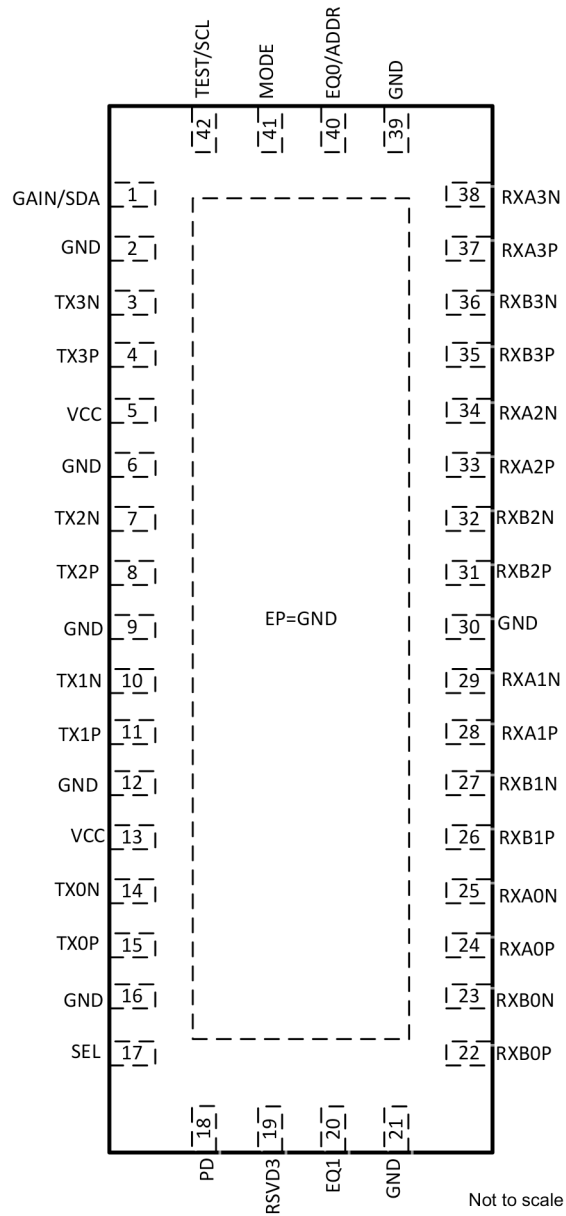


Figure 4-1. RUA Package, 42-Pin WQFN (Top View)

Table 4-1. Pin Functions

PIN		TYPE ⁽¹⁾	DESCRIPTION
NAME	NO.		
MODE	41	I, 5-level	Sets device control configuration modes. The 5-level IO pin is defined in Table 6-1 . The pin is used at device power up or in normal operation mode. L0: <i>Pin Mode</i> – device control configuration is done solely by strap pins. L1 or L2: <i>SMBus/I²C Mode</i> – device control configuration is done by an external controller with SMBus/I ² C primary. This pin along with ADDR pin set the secondary address of the device. L3 and L4 (Float): RESERVED – TI internal test modes.
EQ0 /ADDR	40	I, 5-level	<i>In Pin Mode:</i> The EQ0 and EQ1 pins sets receiver linear equalization CTLE (AC gain) for all channels according to Table 6-2 . These pins are sampled at device power up only.
EQ1	20	I, 5-level	<i>In SMBus/I²C Mode:</i> The ADDR pin in conjunction with the MODE pin sets SMBus / I ² C secondary address according to Table 6-4 . The pin is sampled at device power-up only.
GAIN /SDA	1	I, 5-level / IO	<i>In Pin Mode:</i> Flat gain (broadband gain – DC and AC) from the input to the output of the device for all channels. The device also provides AC (high frequency) gain in the form of equalization controlled by EQ pins or SMBus/I ² C registers. The pin is sampled at device power up only. <i>In SMBus/I²C Mode:</i> 3.3V SMBus/I ² C data. External pullup resistor such as 4.7 kΩ required for operation.
GND	EP, 2, 6, 9, 12, 16, 21, 30, 39	P	Ground reference for the device. EP: the Exposed Pad at the bottom of the QFN package. The EP is used as the GND return for the device. Connect the EP to one or more ground planes through the low resistance path. A via array provides a low impedance path to GND. The EP also improves thermal dissipation.
PD	18	I, 3.3V LVCMOS	2-level logic controlling the operating state of the redriver. Active in both <i>Pin Mode</i> and <i>SMBus/I²C Mode</i> . The pin has a weak 1MkΩ internal pulldown resistor. High: power down for all channels Low: power up, normal operation for all channels
TEST /SCL	42	I, 5-level / IO	<i>In Pin Mode:</i> TI Test mode. Use external 1kΩ pulldown resistor instead. <i>In SMBus/I²C Mode:</i> 3.3V SMBus/I ² C clock. External pullup resistor such as 4.7kΩ required for operation.
RXA3P	37	I	Inverting differential RX input – Port A, Channel 3.
RXA3N	38	I	Noninverting differential RX input – Port A, Channel 3.
RXA2P	33	I	Inverting differential RX input – Port A, Channel 2.
RXA2N	34	I	Noninverting differential RX input – Port A, Channel 2.
RXA1P	28	I	Inverting differential RX input – Port A, Channel 1.
RXA1N	29	I	Noninverting differential RX input – Port A, Channel 1.
RXA0P	24	I	Inverting differential RX input – Port A, Channel 0.
RXA0N	25	I	Noninverting differential RX input – Port A, Channel 0.
RXB3P	35	I	Inverting differential RX input – Port B, Channel 3.
RXB3N	36	I	Noninverting differential RX input – Port B, Channel 3.
RXB2P	31	I	Inverting differential RX input – Port B, Channel 2.
RXB2N	32	I	Noninverting differential RX input – Port B, Channel 2.
RXB1P	26	I	Inverting differential RX input – Port B, Channel 1.
RXB1N	27	I	Noninverting differential RX input – Port B, Channel 1.
RXB0P	22	I	Inverting differential RX input – Port B, Channel 0.
RXB0N	23	I	Noninverting differential RX input – Port B, Channel 0.

Table 4-1. Pin Functions (continued)

PIN		TYPE ⁽¹⁾	DESCRIPTION
NAME	NO.		
SEL	17	I, 3.3V LVCMOS	Selects the mux path. Active in both <i>Pin Mode</i> and <i>SMBus/I²C Mode</i> . The pin has a weak internal pulldown resistor. Exercise the SEL pin in system implementations for mux selection between Port A vs Port B. L: Port A selected. H: Port B selected.
TX3P	4	O	Inverting differential TX output, Channel 3.
TX3N	3	O	Noninverting differential TX output, Channel 3.
TX2P	8	O	Inverting differential TX output, Channel 2.
TX2N	7	O	Noninverting differential TX output, Channel 2.
TX1P	11	O	Inverting differential TX output, Channel 1.
TX1N	10	O	Noninverting differential TX output, Channel 1.
TX0P	15	O	Inverting differential TX output, Channel 0.
TX0N	14	O	Noninverting differential TX output, Channel 0.
RSVD3	19	O	TI internal test pin. Keep no connect.
VCC	5, 13	P	Power supply, VCC = 3.3V ± 10%. Connect the VCC pins on this device through a low-resistance path to the board VCC plane.

(1) I = input, O = output, P = power, GND = ground

5 Specifications

5.1 Absolute Maximum Ratings

over operating free-air temperature range (unless otherwise noted)⁽¹⁾

		MIN	MAX	UNIT
VCC_ABSMAX	Supply voltage (VCC)	-0.5	4.0	V
VIO_CMOS_ABSMAX	3.3V LVCMOS and open drain I/O voltage	-0.5	4.0	V
VIO_5LVL_ABSMAX	5-level input I/O voltage	-0.5	2.75	V
VIO_HS-RX_ABSMAX	High-speed I/O voltage (RXnP, RXnN)	-0.5	3.2	V
VIO_HS-TX_ABSMAX	High-speed I/O voltage (TXnP, TXnN)	-0.5	2.75	V
T_J_ABSMAX	Junction temperature		150	°C
T_stg	Storage temperature range	-65	150	°C

- (1) Operation outside the *Absolute Maximum Rating* may cause permanent device damage. *Absolute Maximum Rating* do not imply functional operation of the device at these or any other conditions beyond those listed under *Recommended Operating Condition*. If used outside the *Recommended Operating Condition* but within the *Absolute Maximum Rating*, the device may not be fully functional, and this may affect device reliability, functionality, performance, and shorten the device lifetime.

5.2 ESD Ratings

			VALUE	UNIT
V _(ESD)	Electrostatic discharge	Human body model (HBM), per ANSI/ESDA/JEDEC JS-001 ⁽¹⁾	±2000	V
		Charged device model (CDM), per ANSI/ESDA/JEDEC JS-002 ⁽²⁾	±500	

- (1) JEDEC document JEP155 states that 500V HBM allows safe manufacturing with a standard ESD control process. Pins listed as ±2kV may actually have higher performance.
 (2) JEDEC document JEP157 states that 250V CDM allows safe manufacturing with a standard ESD control process.

5.3 Recommended Operating Conditions

over operating free-air temperature range (unless otherwise noted)

			MIN	NOM	MAX	UNIT
VCC	Supply voltage, VCC to GND	DC plus AC power must not exceed these limits	3.0	3.3	3.6	V
N _{VCC}	Supply noise tolerance	DC to <50 Hz, sinusoidal ⁽¹⁾			250	mVpp
		50 Hz to 500 kHz, sinusoidal ⁽¹⁾			100	mVpp
		500 kHz to 2.5MHz, sinusoidal ⁽¹⁾			33	mVpp
		Supply noise, >2.5MHz, sinusoidal ⁽¹⁾			10	mVpp
T _{RampVCC}	VCC supply ramp time	From 0V to 3.0V	0.150		100	ms
T _J	Operating junction temperature		-40		115	°C
T _A	Operating ambient temperature		-40		85	°C
PW _{LVCMOS}	Minimum pulse width required for the device to detect a valid signal on LVCMOS inputs	PD and SEL	200			µs
VCC _{SMBUS}	SMBus/I ² C SDA and SCL open drain termination voltage	Supply voltage for open drain pullup resistor			3.6	V
F _{SMBus}	SMBus/I ² C clock (SCL) frequency in SMBus secondary mode		10		400	kHz
VID _{LAUNCH}	Source differential launch amplitude		800		1200	mVpp
DR	Data rate		1		24	Gbps

- (1) Sinusoidal noise is superimposed to supply voltage with negligible impact to device function and critical performance, as shown in the Electrical Table. Take steps to ensure the combined AC plus DC supply noise meets the specified VDD supply voltage limits.

5.4 Thermal Information

THERMAL METRIC ⁽¹⁾		TDP20MB421	UNIT
		RUA, 42 Pins	
R _{θJA} -High K	Junction-to-ambient thermal resistance	26.1	°C/W
R _{θJC(top)}	Junction-to-case (top) thermal resistance	14.1	°C/W
R _{θJB}	Junction-to-board thermal resistance	8.7	°C/W
ψ _{JT}	Junction-to-top characterization parameter	1.6	°C/W
ψ _{JB}	Junction-to-board characterization parameter	8.6	°C/W
R _{θJC(bot)}	Junction-to-case (bottom) thermal resistance	2.6	°C/W

(1) For more information about traditional and new thermal metrics, see the [Semiconductor and IC Package Thermal Metrics application note](#).

5.5 DC Electrical Characteristics

over operating free-air temperature and voltage range (unless otherwise noted)

PARAMETER		TEST CONDITIONS	MIN	TYP	MAX	UNIT
Power						
P _{ACT}	Device active power	All channels enabled (PD = L)		720	970	mW
P _{STBY}	Device power consumption in standby power mode	All channels disabled (PD = H)		23	36	mW
Control IO						
V _{IH}	High level input voltage	SDA, SCL, PD, SEL pins	2.1			V
V _{IL}	Low level input voltage	SDA, SCL, PD, SEL pins			1.08	V
V _{OH}	High level output voltage	R _{pullup} = 4.7kΩ (SDA, SCL pins)	2.1			V
V _{OL}	Low level output voltage	I _{OL} = -4mA (SDA, SCL pins)			0.4	V
I _{IH,SEL}	Input high leakage current for SEL pins	V _{Input} = VCC, for SEL pin			100	μA
I _{IH}	Input high leakage current	V _{Input} = VCC (SCL, SDA, PD pins)			10	μA
I _{IL}	Input low leakage current	V _{Input} = 0V (SCL, SDA, PD, SEL pins)	-10			μA
I _{IH,FS}	Input high leakage current for fail safe input pins	V _{Input} = 3.6V, VCC = 0V (SCL, SDA, PD, SEL pins)			200	μA
C _{IN-CTRL}	Input capacitance	SCL, SDA, PD, SEL pins		1.6		pF
5 Level IOs (MODE, GAIN, EQ1, EQ0, pins)						
I _{IH_5L}	Input high leakage current, 5 level IOs	VIN = 2.5V			10	μA
I _{IL_5L}	Input low leakage current for all 5 level IOs except MODE	VIN = GND	-10			μA
I _{IL_5L,MODE}	Input low leakage current for MODE pin	VIN = GND	-200			μA
Receiver						
V _{RX-DC-CM}	RX DC common-mode voltage	Device is in an active or standby state		1.4		V
Z _{RX-DC}	Rx DC single-ended impedance			50		Ω
Z _{RX-HIGH-IMP-DC-POS}	DC input CM input impedance during Reset or power-down	Inputs are at V _{RX-DC-CM} voltage	20			kΩ
Transmitter						
Z _{TX-DIFF-DC}	DC differential Tx impedance	Impedance of Tx during active signaling, VID, diff = 1Vpp		100		Ω
V _{TX-DC-CM}	Tx DC common-mode voltage			1.0		V
I _{TX-SHORT}	Tx short-circuit current	Total current the Tx supplies when shorted to GND		70		mA

5.6 High-Speed Electrical Characteristics

over operating free-air temperature and voltage range (unless otherwise noted)

PARAMETER		TEST CONDITIONS	MIN	TYP	MAX	UNIT
Receiver						
RL _{RX-DIFF}	Input differential return loss	50MHz to 1.25GHz		-22		dB
		1.25GHz to 2.5GHz		-22		dB
		2.5GHz to 4.0GHz		-22		dB
		4.0GHz to 8.0GHz		-16		dB
		8.0GHz to 12GHz		-12		dB
RL _{RX-CM}	Input common-mode return loss	50MHz to 2.5GHz		-20		dB
		2.5GHz to 8.0GHz		-14		dB
		8.0GHz to 12GHz		-10		dB
XT _{RX}	Receive-side pair-to-pair isolation	Pair-to-pair isolation (SDD21) between two adjacent receiver pairs from 10MHz to 10GHz.		-60		dB
Transmitter						
V _{TX-AC-CM-PP}	Tx AC peak-to-peak common mode voltage	Measured with lowest EQ, GAIN = L4; PRBS7, 20Gbps, over at least 10 ⁶ bits using a bandpass filter from 30kHz to 500MHz			50	mVpp
RL _{TX-DIFF}	Output differential return loss	50MHz to 1.25GHz		-22		dB
		1.25GHz to 2.5GHz		-22		dB
		2.5GHz to 4.0GHz		-21		dB
		4.0GHz to 8.0GHz		-15		dB
		8.0GHz to 12GHz		-12		dB
RL _{TX-CM}	Output common-mode return loss	50MHz to 2.5GHz		-16		dB
		2.5GHz to 8.0GHz		-12		dB
		8.0GHz to 12GHz		-11		dB
XT _{TX}	Transmit-side pair-to-pair isolation	Minimum pair-to-pair isolation (SDD21) between two adjacent transmitter pairs from 10MHz to 10GHz.		-60		dB
Device data path						
T _{PLHD/PHLD}	Input-to-output latency (propagation delay) through a data channel	For either low-to-high or high-to-low transition.		90	130	ps
L _{TX-SKEW}	Lane-to-lane output skew	Between any two lanes within one transmitter.			20	ps
T _{RJ-DATA}	Additive random jitter with data	Jitter through redriver minus the calibration trace. 20Gbps PRBS15. 800mVpp-diff input swing.		70		fs
JITTER _{TOTAL-DATA}	Additive total jitter with data	Jitter through redriver minus the calibration trace. 20Gbps PRBS15. 800mVpp-diff input swing.		1.0		ps
FLAT-GAIN	Broadband DC and AC flat gain - input to output, measured at DC	Minimum EQ, GAIN1/0=L0		-5.6		dB
		Minimum EQ, GAIN1/0=L1		-3.8		dB
		Minimum EQ, GAIN1/0=L2		-1.2		dB
		Minimum EQ, GAIN1/0=L3		2.6		dB
		Minimum EQ, GAIN1/0=L4 (Float)		0.6		dB
EQ-MAX _{16G}	EQ boost at maximum setting (EQ INDEX = 19)	AC gain at 10GHz relative to gain at 100MHz.		19		dB
LINEARITY-DC	Output DC linearity	at 0dB flat gain		1700		mVpp

5.6 High-Speed Electrical Characteristics (continued)

over operating free-air temperature and voltage range (unless otherwise noted)

PARAMETER		TEST CONDITIONS	MIN	TYP	MAX	UNIT
LINEARITY-AC	Output AC linearity at 20Gbps	at 0dB flat gain		1050		mVpp

5.7 SMBUS/I2C Timing Characteristics

over operating free-air temperature range (unless otherwise noted)

PARAMETER		TEST CONDITIONS	MIN	TYP	MAX	UNIT
Secondary Mode						
t_{SP}	Pulse width of spikes which must be suppressed by the input filter				50	ns
t_{HD-STA}	Hold time (repeated) START condition the first clock pulse is generated after this period		0.6			μ s
t_{LOW}	LOW period of the SCL clock		1.3			μ s
T_{HIGH}	HIGH period of the SCL clock		0.6			μ s
t_{SU-STA}	Setup time for a repeated START condition		0.6			μ s
t_{HD-DAT}	Data-hold time		0			μ s
T_{SU-DAT}	Data-setup time		0.1			μ s
t_r	Rise time of both SDA and SCL signals	Pullup resistor = 4.7k Ω , C _b = 10pF		120		ns
t_f	Fall time of both SDA and SCL signals	Pullup resistor = 4.7k Ω , C _b = 10pF		2		ns
t_{SU-STO}	Setup time for STOP condition		0.6			μ s
t_{BUF}	Bus-free time between a STOP and START condition		1.3			μ s
t_{VD-DAT}	Data valid time				0.9	μ s
t_{VD-ACK}	Data valid acknowledge time				0.9	μ s
C _b	Capacitive load for each bus line				400	pF

5.8 Typical Characteristics

Figure 5-1 shows typical EQ gain curves versus frequency for different EQ settings. Figure 5-2 shows EQ gain variation over temperature for maximum EQ setting of 19.

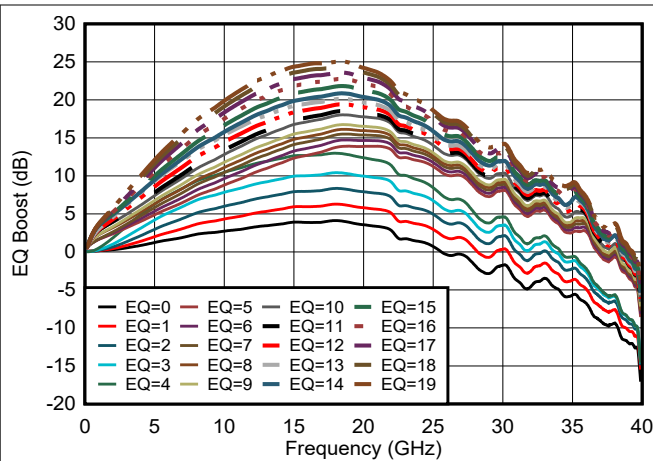


Figure 5-1. Typical EQ Boost vs Frequency

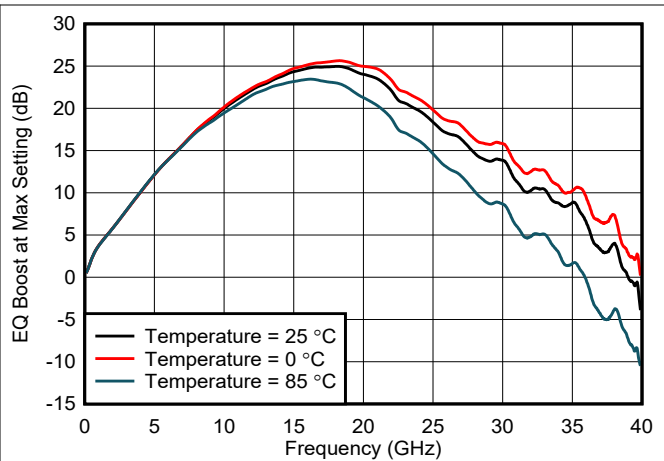


Figure 5-2. Typical EQ Boost vs Frequency at Different Temperatures with EQ=19

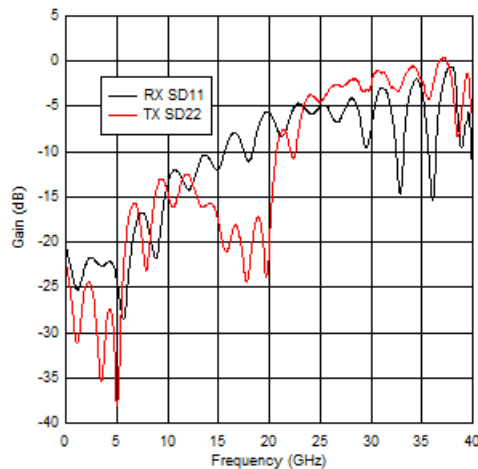


Figure 5-3. Typical Differential Return Loss

6 Detailed Description

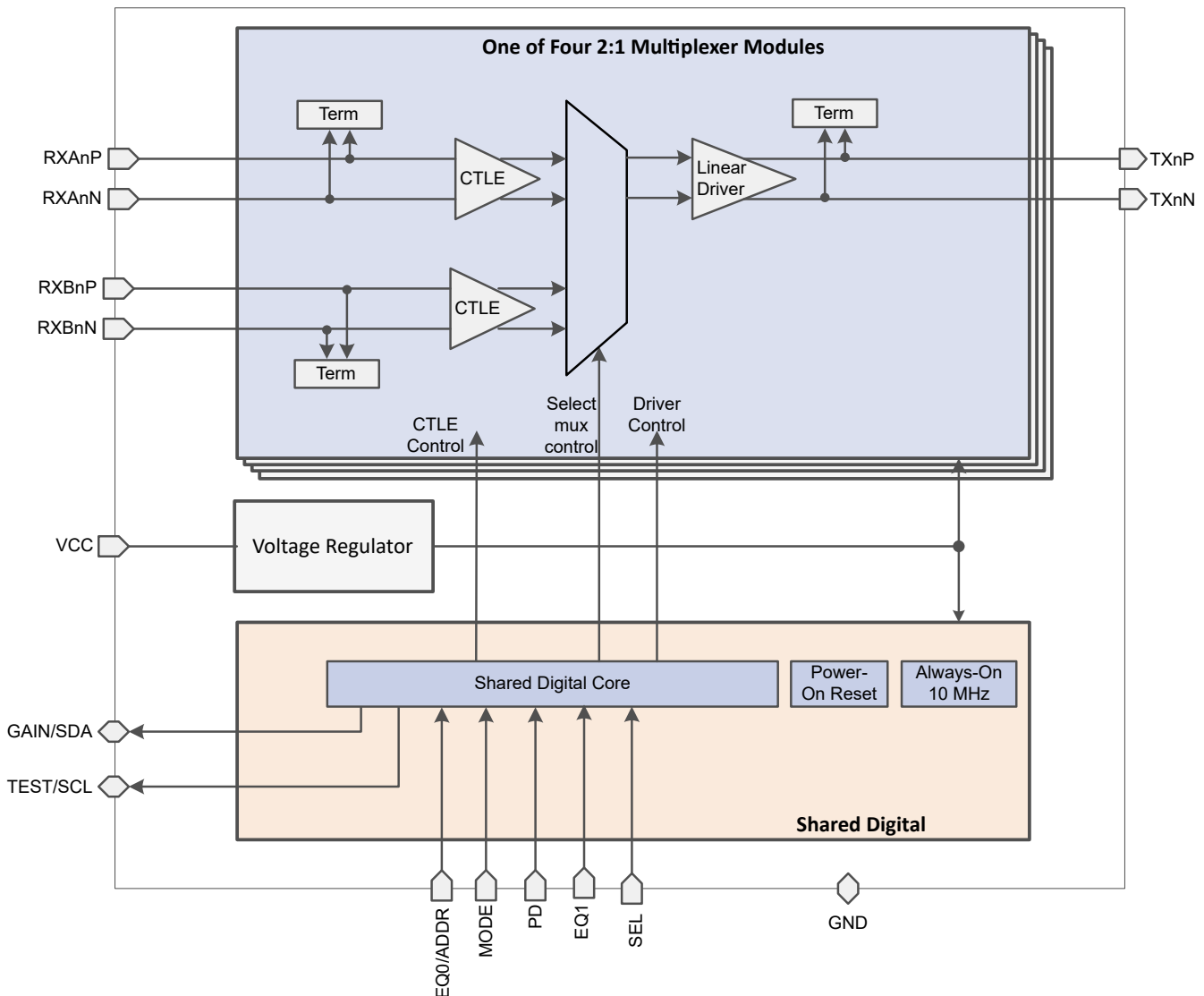
6.1 Overview

The TDP20MB421 is a 4-channel linear redriver with an integrated 2:1 MUX. The low-power, high-performance linear repeater or redriver supports DisplayPort data rates up to UHBR20. The device is a protocol agnostic linear redriver that can operate for other AC-coupled interface up to 20Gbps.

The signal channels of the TDP20MB421 operate independently. Each channel includes a continuous time linear equalizer (CTLE) and a linear output driver, which together compensate for a lossy transmission channel between the source transmitter and the final receiver. The linearity of the data path is designed to preserve transmit equalization while keeping the equalization of the DisplayPort receiver effective.

The TDP20MB421 is configurable in two ways. In Pin Mode, the device control configuration is done solely by strap pins. Pin mode is designed for many system implementation needs. SMBus/I2C Secondary Mode provides greater flexibility. SMBus/I2C Secondary Mode requires an external SMBus/I2C primary device to configure the TDP20MB421 though writing to its secondary address.

6.2 Functional Block Diagram



6.3 Feature Description

6.3.1 5-Level Control Inputs

The TDP20MB421 has four 5-level inputs pins (EQ1, EQ0, GAIN, and MODE) that control the configuration of the device. These 5-level inputs use a resistor divider to set the five valid levels and provide a wider range of control settings. External resistors must have a tolerance of at least 10%. The EQ0, EQ1, and GAIN pins are sampled at power up only. The MODE pin can be exercised at device power up or in normal operation mode.

Table 6-1. 5-Level Control Pin Settings

LEVEL	SETTING
L0	1kΩ to GND
L1	8.25kΩ to GND
L2	24.9kΩ to GND
L3	75kΩ to GND
L4	F (Float)

6.3.2 Linear Equalization

The TDP20MB421 receivers feature a continuous time linear equalizer (CTLE) that applies high-frequency boost and low-frequency attenuation to equalize the frequency-dependent insertion loss effects of a passive channel. The receivers implement a 2-stage linear equalizer for a wide range of equalization capability. The equalizer stages also provide flexibility to make subtle modifications to the mid-frequency boost for the best EQ-gain profile match with a wide range of channel media characteristics. The control feature of the EQ profile is only available in SMBus/I²C Mode. In Pin Mode, the settings are optimized for FR4 traces.

Table 6-2 shows available equalization boost through EQ control pins or SMBus/I²C registers. In Pin Control mode, EQ1 and EQ0 pins set the equalization boost for all channels. In I²C Mode, individual channels can be independently programmed for an EQ boost.

Table 6-2. Equalization Control Settings

EQ INDEX	EQUALIZATION SETTING						TYPICAL EQ BOOST (dB) at 10 GHz
	Pin mode		SMBus/I ² C Mode				
	EQ1	EQ0	eq_stage1_3:0	eq_stage2_2:0	eq_profile_3:0	eq_stage1_bypass	
0	L0	L0	0	0	0	1	4.0
1	L0	L1	1	0	0	1	5.0
2	L0	L2	3	0	0	1	7.0
5	L1	L0	0	0	1	0	8.0
6	L1	L1	1	0	1	0	9.0
7	L1	L2	2	0	1	0	9.5
8	L1	L3	3	0	3	0	10.0
9	L1	L4	4	0	3	0	11.0
10	L2	L0	5	1	7	0	12.0
11	L2	L1	6	1	7	0	12.5
12	L2	L2	8	1	7	0	13.5
13	L2	L3	10	1	7	0	14.5
14	L2	L4	10	2	15	0	15.0
15	L3	L0	11	3	15	0	15.5
16	L3	L1	12	4	15	0	16.5

Table 6-2. Equalization Control Settings (continued)

EQUALIZATION SETTING							TYPICAL EQ BOOST (dB)
EQ INDEX	Pin mode		SMBus/I ² C Mode				at 10 GHz
	EQ1	EQ0	eq_stage1_3:0	eq_stage2_2:0	eq_profile_3:0	eq_stage1_bypass	
17	L3	L2	13	5	15	0	17.0
18	L3	L3	14	6	15	0	18.0
19	L3	L4	15	7	15	0	19.0

6.3.3 Flat Gain

The GAIN pin can be used to set the overall datapath for the flat gain (broadband gain including high frequency) of the TDP20MB421 when the device is in Pin Mode. The pin GAIN sets the Flat-Gain for all channels. Each channel is independently set in I²C Mode. Table 6-3 shows the configuration settings for flat gain control. The default recommendation for most systems is GAIN = L4 (float) because it provides a flat gain of 0dB.

Set the flat gain and equalization of the TDP20MB421 so that the output signal swing at DC and high frequency does not exceed the DC and AC linearity ranges of the devices.

Table 6-3. Flat Gain Configuration Settings

Pin Mode GAIN	I ² C Mode flat_gain_2:0	Flat Gain
L0	0	-5.6dB
L1	1	-3.8dB
L2	3	-1.2dB
L3	7	+2.6dB
L4 (float)	5	+0.6dB (default recommendation)

6.4 Device Functional Modes

6.4.1 Active Mode

The TDP20MB421 is in normal operation. In this mode, the system drives the PD pin low and the TDP20MB421 redrives and equalizes RX signals to provide better signal integrity.

6.4.2 Standby Mode

The TDP20MB421 is in standby mode invoked by PD pin = H. In this mode, the device conserves power in standby mode

6.5 Programming

6.5.1 Pin Mode

The pin-strap pins fully configure the TDP20MB421. In this mode, the device uses 2-level and 5-level pins for device control and optimum settings for signal integrity.

6.5.2 SMBUS/I²C Register Control Interface

If MODE = L2 (SMBus / I²C secondary control mode), the TDP20MB421 is configured for best signal integrity through a standard I²C or SMBus interface operates up to 400kHz. Pin strap settings determines the secondary address of the TDP20MB421 on the ADDR and MODE pins. Table 6-4 provides the eight possible secondary addresses (7-bit) for each channel banks of the device. In SMBus and I²C modes, the SCL and SDA pins connect to a 3.3V supply through a pullup resistor. The value of the resistor depends on the total bus capacitance. 4.7kΩ is a good first approximation for a bus capacitance of 10pF.

Table 6-4. SMBUS/I2C Secondary Address Settings

MODE	ADDR	7-bit Secondary Address Channels 2-3	7-bit Secondary Address Channels 0-1
L1	L0	0x18	0x19
L1	L1	0x1A	0x1B
L1	L2	0x1C	0x1D
L1	L3	0x1E	0x1F
X	L4	Reserved	Reserved
L2	L0	0x20	0x21
L2	L1	0x22	0x23
L2	L2	0x24	0x25
L2	L3	0x26	0x27

The TDP20MB421 has two types of registers:

- **Shared Registers:** These registers are accessible at any time and are used for device-level configuration, status read back, control, and to read the device ID information.
- **Channel Registers:** These registers control and configure specific features for each channel. All channels have the same register set and can be configured independently or as a group through broadcast writes to Bank 0 or 1.

The TDP20MB421 features two banks of channels, Bank 0 (Channels 2-3) and Bank 1 (Channels 0-1), each feature a separate register set and require a unique SMBus secondary address.

Channel Registers Base Address	Channel Bank 0 Access	Channel Bank 1 Access
0x00	Channel 3 registers	Channel 1 registers
0x20	Channel 3 registers	Channel 1 registers
0x40	Channel 2 registers	Channel 0 registers
0x60	Channel 2 registers	Channel 0 registers
0x80	Broadcast write channel Bank 0 registers, read channel 3 registers	Broadcast write channel Bank 1 registers, read channel 1 registers
0xE0	Bank 0 Share registers	Bank 1 Share registers

6.5.2.1 Shared Registers

Table 6-5. General Registers (Offset = 0xE2)

Bit	Field	Type	Reset	Description
7	RESERVED	R	0x0	Reserved
6	rst_i2c_regs	R/W/SC	0x0	Device reset control: Reset all I2C registers to default values (self-clearing).
5	rst_i2c_mas	R/W/SC	0x0	Reset I ² C Primary (self-clearing).
4-0	RESERVED	R	0x0000	Reserved

Table 6-6. DEVICE_ID0 Register (Offset = 0xF0)

Bit	Field	Type	Reset	Description
7-4	RESERVED	R	0x0001	Reserved
3	device_id0_3	R	0x1	Device ID0 [3:1]: 101
2	device_id0_2	R	0x0	see MSB
1	device_id0_1	R	0x1	see MSB
0	RESERVED	R	X	Reserved

Table 6-7. DEVICE_ID1 Register (Offset = 0xF1)

Bit	Field	Type	Reset	Description
7	device_id[7]	R	0x0	Device ID 0010 1000: TDP20MB421
6	device_id[6]	R	0x0	see MSB
5	device_id[5]	R	0x1	see MSB
4	device_id[4]	R	0x0	see MSB
3	device_id[3]	R	0x1	see MSB
2	device_id[2]	R	0x0	see MSB
1	device_id[1]	R	0x0	see MSB
0	device_id[0]	R	0x1	see MSB

6.5.2.2 Channel Registers

Table 6-8. EQ Gain Control Register (Channel Register Base + Offset = 0x01)

Bit	Field	Type	Reset	Description
7	eq_stage1_bypass	R/W	0x0	Enable EQ stage 1 bypass: 0: Bypass disabled 1: Bypass enabled
6	eq_stage1_3	R/W	0x0	EQBoost stage 1 control See Table 6-2 for details
5	eq_stage1_2	R/W	0x0	
4	eq_stage1_1	R/W	0x0	
3	eq_stage1_0	R/W	0x0	
2	eq_stage2_2	R/W	0x0	EQ Boost stage 2 control See Table 6-2 for details
1	eq_stage2_1	R/W	0x0	
0	eq_stage2_0	R/W	0x0	

Table 6-9. EQ Gain / Flat Gain Control Register (Channel Register Base + Offset = 0x03)

Bit	Field	Type	Reset	Description
7	RESERVED	R	0x0	Reserved
6	eq_profile_3	R/W	0x0	EQ mid-frequency boost profile See Table 6-2 for details
5	eq_profile_2	R/W	0x0	
4	eq_profile_1	R/W	0x0	
3	eq_profile_0	R/W	0x0	
2	flat_gain_2	R/W	0x1	Flat gain select: See Table 6-3 for details
1	flat_gain_1	R/W	0x0	
0	flat_gain_0	R/W	0x1	

Table 6-10. PD Override Register (Channel Register Base + Offset = 0x05)

Bit	Field	Type	Reset	Description
7	device_en_override	R/W	0x0	Enable power down overrides through SMBus/I ² C 0: Manual override disabled 1: Manual override enabled
6-0	device_en	R/W	0x111111	Manual power down of redriver various blocks – gated by device_en_override = 1 111111: All blocks are enabled 000000: All blocks are disabled

7 Application and Implementation

Note

Information in the following applications sections is not part of the TI component specification, and TI does not warrant its accuracy or completeness. TI's customers are responsible for determining suitability of components for their purposes. Customers must validate and test their design implementation to confirm system functionality.

7.1 Application Information

The TDP20MB421 is a high-speed linear repeater with an integrated 2:1 MUX. The device extends the reach of differential channels impaired by loss from transmission media like PCBs and cables. The TDP20MB421 can be deployed in a variety of different systems. The following sections outline typical applications and their associated design considerations.

7.2 Typical Applications

The TDP20MB421 is a linear redriver that can be used as DisplayPort mainlink signal conditioner. The device can be used in a wide range of AC coupled interfaces.

7.2.1 DP 2.1 Mainlink Signal Conditioning

There are many applications for the TDP20MB421, including use in a PC motherboard, docking station, or monitor, to boost the DisplayPort mainlink signals, increasing the reach of the source and sink channel. The following sections outline the detailed procedures and design requirements for a typical DP 2.1 application. However, the design recommendations can be used in other use cases.

7.2.1.1 Design Requirements

As with any high-speed design, there are many factors influencing the overall performance. The following list indicates the critical areas to consider during the design process:

- Use 85Ω impedance traces. Perform length matching on the P and N traces on the single-ended segments of the differential pair.
- Use a uniform trace width and spacing for differential pairs.
- Place AC-coupling capacitors near to the receiver end of each channel segment to minimize reflections.
- For Gen 3.0, 4.0, and 5.0, AC-coupling capacitors of 220nF are recommended with a maximum body size of 0402 and a cutout void on the GND plane below the landing pad of the capacitor to reduce parasitic capacitance to GND.
- Back-drill connector vias and signal vias to minimize stub length.
- Use reference plane vias to ensure a low inductance path for the return current.

7.2.1.2 Detailed Design Procedure

The TDP20MB421 provides signal conditioning to four DP mainlink channels. The device is a linear redriver which is agnostic to DP link training. The DP link training negotiation between a display source and sink stays effective through the device. The redriver becomes part of the electrical channel along with passive traces, cables, and other channel elements, resulting in the optimum source and sink parameters for the best electrical link.

DisplayPort side band signals AUXp,n and HPD are bypassed. The link still has successful link training through TDP20MB421. An inverted HPD signal can control the device standby operation using the PD pin; however, provision for appropriate filtering out of HPD interrupt signals.

In some applications where a microcontroller or other link monitoring device has DP link state information, the microcontroller can exercise I²C registers of TDP20MB421 for additional power management.

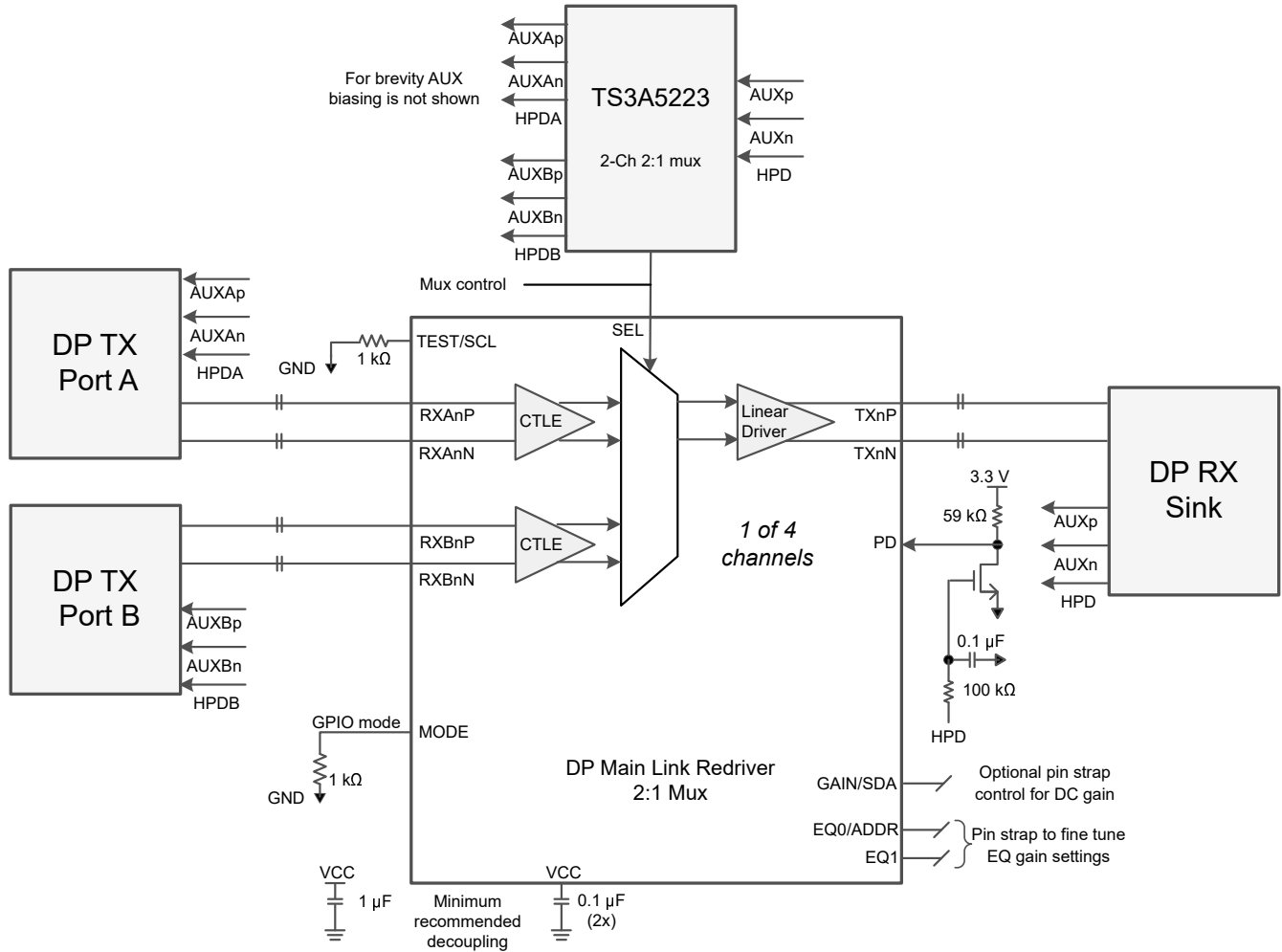


Figure 7-1. Simplified Schematic for DisplayPort Multiplexer Application

7.2.1.3 Application Curves

The TDP20MB421 is a linear redriver that can be used to extend channel reach of a DP link. The redriver can help to pass compliance by removing ISI deterministic jitter at data rates up to 20Gbps (UHBR20). Figure 7-2 through Figure 7-5 shows a typical DP 2.1 Tx compliance channel setup along with compliance Eye Diagrams at TP3_EQ with or without redriver. The comparison of eye diagrams show that TDP20MB421 can provide signal conditioning by extending horizontal and vertical eye openings that makes a failing eye to pass.

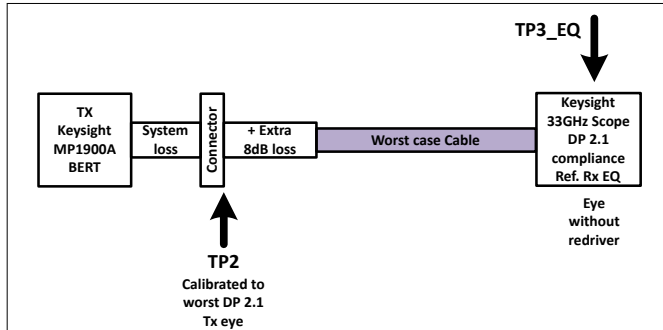


Figure 7-2. A Typical 20Gbps (UHBR20) DP 2.1 Tx Compliance Channel Setup with no Redriver

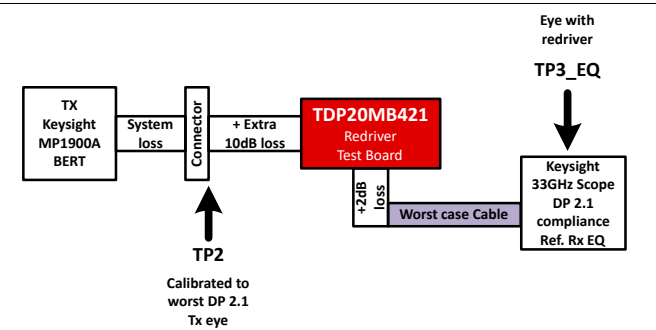


Figure 7-3. A Typical 20Gbps (UHBR20) DP 2.1 Tx Compliance Channel Setup with Redriver

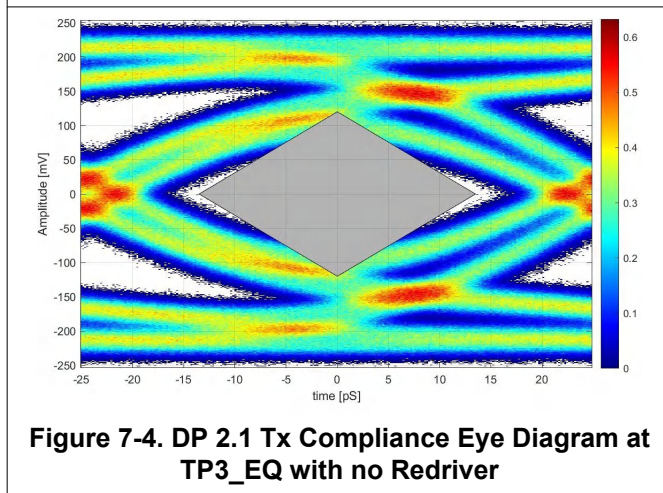


Figure 7-4. DP 2.1 Tx Compliance Eye Diagram at TP3_EQ with no Redriver

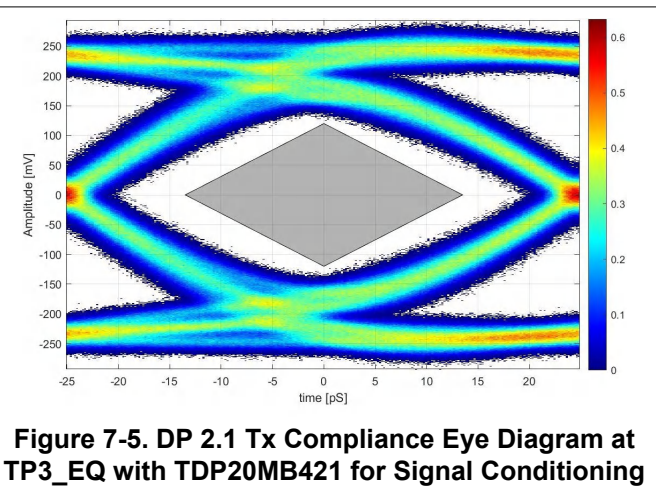


Figure 7-5. DP 2.1 Tx Compliance Eye Diagram at TP3_EQ with TDP20MB421 for Signal Conditioning

7.3 Power Supply Recommendations

Follow these general guidelines when designing the power supply:

1. Design the power supply to provide the operating conditions outlined in the recommended operating conditions section in terms of DC voltage, AC noise, and start-up ramp time.
2. The TDP20MB421 does not require any special power supply filtering, such as ferrite beads, provided that the recommended operating conditions are met. Only standard supply decoupling is required. Typical supply decoupling consists of a 0.1µF capacitor per VCC pin, one 1µF bulk capacitor per device, and one 10µF bulk capacitor per power bus that delivers power to one or more devices. Connect the local decoupling (0.1µF) capacitors as close to the VCC pins as possible and with minimal path to the device ground pad.

7.4 Layout

7.4.1 Layout Guidelines

Follow these guidelines when designing the layout:

1. Place decoupling capacitors as close to the VCC pins as possible. If possible, place the decoupling capacitors directly underneath the device.

2. Tightly couple, skew match, and impedance control the high-speed differential signals TXnP/TXnN and RXnP/RXnN.
3. Avoid vias when possible on the high-speed differential signals. Minimize the via stub when using vias, either by transitioning through most or all layers or by back drilling.
4. GND relief is used beneath the high-speed differential signal pads to improve signal integrity by counteracting the pad capacitance. Using GND relief is not required.
5. Place GND vias directly beneath the device connecting the GND plane attached to the device to the GND planes on other layers. GND vias have the added benefit of improving thermal conductivity from the device to the board.

7.4.2 Layout Example

Figure 7-6 shows TDP20MB421 layout example.

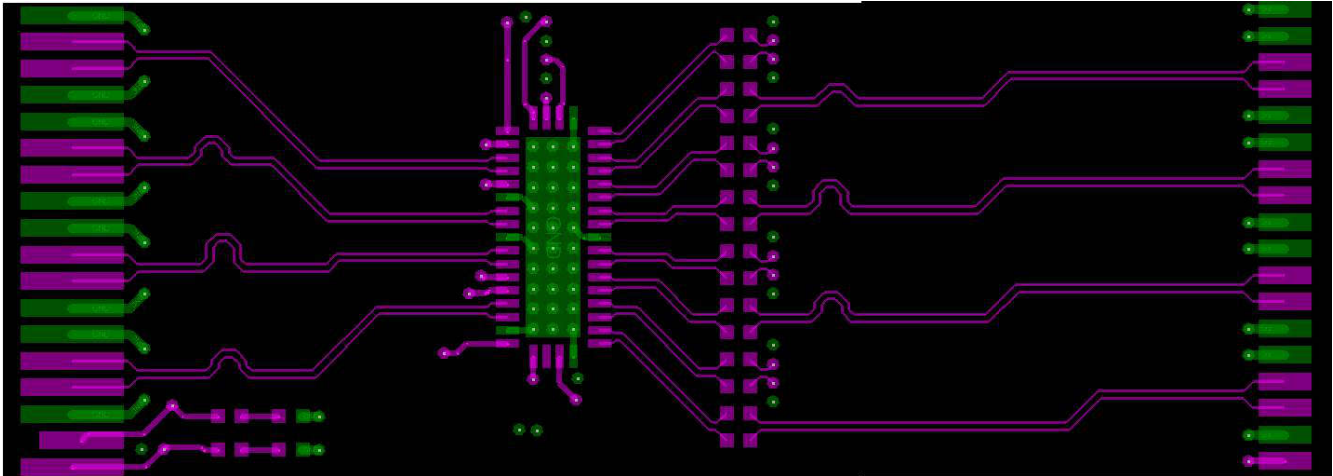


Figure 7-6. TDP20MB421 Layout Example

8 Device and Documentation Support

8.1 Receiving Notification of Documentation Updates

To receive notification of documentation updates, navigate to the device product folder on [ti.com](https://www.ti.com). Click on *Notifications* to register and receive a weekly digest of any product information that has changed. For change details, review the revision history included in any revised document.

8.2 Support Resources

[TI E2E™ support forums](#) are an engineer's go-to source for fast, verified answers and design help — straight from the experts. Search existing answers or ask your own question to get the quick design help you need.

Linked content is provided "AS IS" by the respective contributors. They do not constitute TI specifications and do not necessarily reflect TI's views; see TI's [Terms of Use](#).

8.3 Trademarks

TI E2E™ is a trademark of Texas Instruments.
All trademarks are the property of their respective owners.

8.4 Electrostatic Discharge Caution



This integrated circuit can be damaged by ESD. Texas Instruments recommends that all integrated circuits be handled with appropriate precautions. Failure to observe proper handling and installation procedures can cause damage.

ESD damage can range from subtle performance degradation to complete device failure. Precision integrated circuits may be more susceptible to damage because very small parametric changes could cause the device not to meet its published specifications.

8.5 Glossary

[TI Glossary](#) This glossary lists and explains terms, acronyms, and definitions.

9 Revision History

NOTE: Page numbers for previous revisions may differ from page numbers in the current version.

DATE	REVISION	NOTES
July 2024	*	Initial Release

10 Mechanical, Packaging, and Orderable Information

The following pages include mechanical, packaging, and orderable information. This information is the most current data available for the designated devices. This data is subject to change without notice and revision of this document. For browser-based versions of this data sheet, refer to the left-hand navigation.

PACKAGING INFORMATION

Orderable part number	Status (1)	Material type (2)	Package Pins	Package qty Carrier	RoHS (3)	Lead finish/ Ball material (4)	MSL rating/ Peak reflow (5)	Op temp (°C)	Part marking (6)
TDP20MB421IRUAR	Active	Production	WQFN (RUA) 42	3000 LARGE T&R	Yes	NIPDAU	Level-2-260C-1 YEAR	-40 to 85	5PR421
TDP20MB421IRUAR.B	Active	Production	WQFN (RUA) 42	3000 LARGE T&R	Yes	NIPDAU	Level-2-260C-1 YEAR	-40 to 85	5PR421
TDP20MB421IRUAT	Active	Production	WQFN (RUA) 42	250 SMALL T&R	Yes	NIPDAU	Level-2-260C-1 YEAR	-40 to 85	5PR421
TDP20MB421IRUAT.B	Active	Production	WQFN (RUA) 42	250 SMALL T&R	Yes	NIPDAU	Level-2-260C-1 YEAR	-40 to 85	5PR421
TDP20MB421RUAR	Active	Production	WQFN (RUA) 42	3000 LARGE T&R	Yes	NIPDAU	Level-2-260C-1 YEAR	0 to 70	5PR421
TDP20MB421RUAR.B	Active	Production	WQFN (RUA) 42	3000 LARGE T&R	Yes	NIPDAU	Level-2-260C-1 YEAR	0 to 70	5PR421
TDP20MB421RUAT	Active	Production	WQFN (RUA) 42	250 SMALL T&R	Yes	NIPDAU	Level-2-260C-1 YEAR	0 to 70	5PR421
TDP20MB421RUAT.B	Active	Production	WQFN (RUA) 42	250 SMALL T&R	Yes	NIPDAU	Level-2-260C-1 YEAR	0 to 70	5PR421

(1) **Status:** For more details on status, see our [product life cycle](#).

(2) **Material type:** When designated, preproduction parts are prototypes/experimental devices, and are not yet approved or released for full production. Testing and final process, including without limitation quality assurance, reliability performance testing, and/or process qualification, may not yet be complete, and this item is subject to further changes or possible discontinuation. If available for ordering, purchases will be subject to an additional waiver at checkout, and are intended for early internal evaluation purposes only. These items are sold without warranties of any kind.

(3) **RoHS values:** Yes, No, RoHS Exempt. See the [TI RoHS Statement](#) for additional information and value definition.

(4) **Lead finish/Ball material:** Parts may have multiple material finish options. Finish options are separated by a vertical ruled line. Lead finish/Ball material values may wrap to two lines if the finish value exceeds the maximum column width.

(5) **MSL rating/Peak reflow:** The moisture sensitivity level ratings and peak solder (reflow) temperatures. In the event that a part has multiple moisture sensitivity ratings, only the lowest level per JEDEC standards is shown. Refer to the shipping label for the actual reflow temperature that will be used to mount the part to the printed circuit board.

(6) **Part marking:** There may be an additional marking, which relates to the logo, the lot trace code information, or the environmental category of the part.

Multiple part markings will be inside parentheses. Only one part marking contained in parentheses and separated by a "-" will appear on a part. If a line is indented then it is a continuation of the previous line and the two combined represent the entire part marking for that device.

Important Information and Disclaimer:The information provided on this page represents TI's knowledge and belief as of the date that it is provided. TI bases its knowledge and belief on information provided by third parties, and makes no representation or warranty as to the accuracy of such information. Efforts are underway to better integrate information from third parties. TI has taken and continues to take reasonable steps to provide representative and accurate information but may not have conducted destructive testing or chemical analysis on incoming materials and chemicals. TI and TI suppliers consider certain information to be proprietary, and thus CAS numbers and other limited information may not be available for release.

In no event shall TI's liability arising out of such information exceed the total purchase price of the TI part(s) at issue in this document sold by TI to Customer on an annual basis.

TAPE AND REEL INFORMATION

QUADRANT ASSIGNMENTS FOR PIN 1 ORIENTATION IN TAPE


*All dimensions are nominal

Device	Package Type	Package Drawing	Pins	SPQ	Reel Diameter (mm)	Reel Width W1 (mm)	A0 (mm)	B0 (mm)	K0 (mm)	P1 (mm)	W (mm)	Pin1 Quadrant
TDP20MB421IRUAR	WQFN	RUA	42	3000	330.0	16.4	3.8	9.3	1.0	8.0	16.0	Q1
TDP20MB421IRUAT	WQFN	RUA	42	250	180.0	16.4	3.8	9.3	1.0	8.0	16.0	Q1
TDP20MB421RUAR	WQFN	RUA	42	3000	330.0	16.4	3.8	9.3	1.0	8.0	16.0	Q1
TDP20MB421RUAT	WQFN	RUA	42	250	180.0	16.4	3.8	9.3	1.0	8.0	16.0	Q1

TAPE AND REEL BOX DIMENSIONS


*All dimensions are nominal

Device	Package Type	Package Drawing	Pins	SPQ	Length (mm)	Width (mm)	Height (mm)
TDP20MB421RUAR	WQFN	RUA	42	3000	367.0	367.0	35.0
TDP20MB421RUAT	WQFN	RUA	42	250	210.0	185.0	35.0
TDP20MB421RUAR	WQFN	RUA	42	3000	367.0	367.0	35.0
TDP20MB421RUAT	WQFN	RUA	42	250	210.0	185.0	35.0

GENERIC PACKAGE VIEW

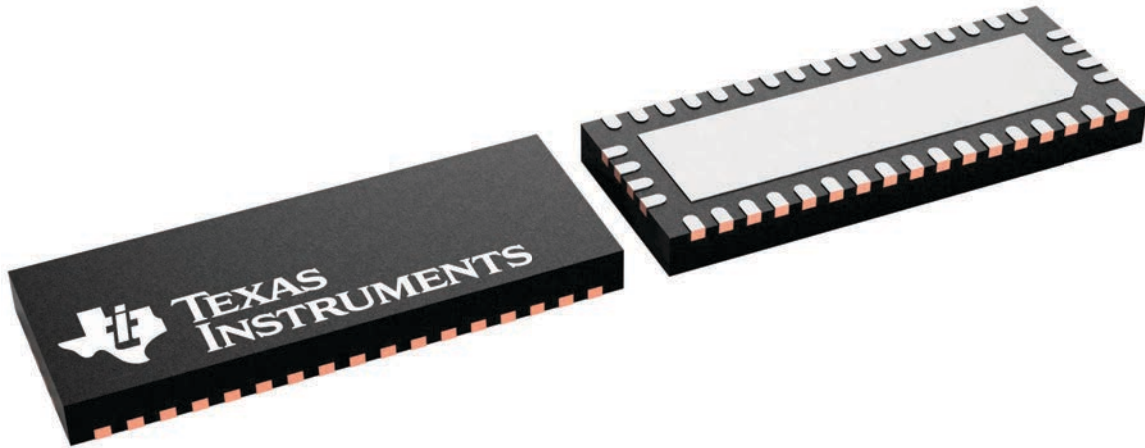
RUA 42

WQFN - 0.8 mm max height

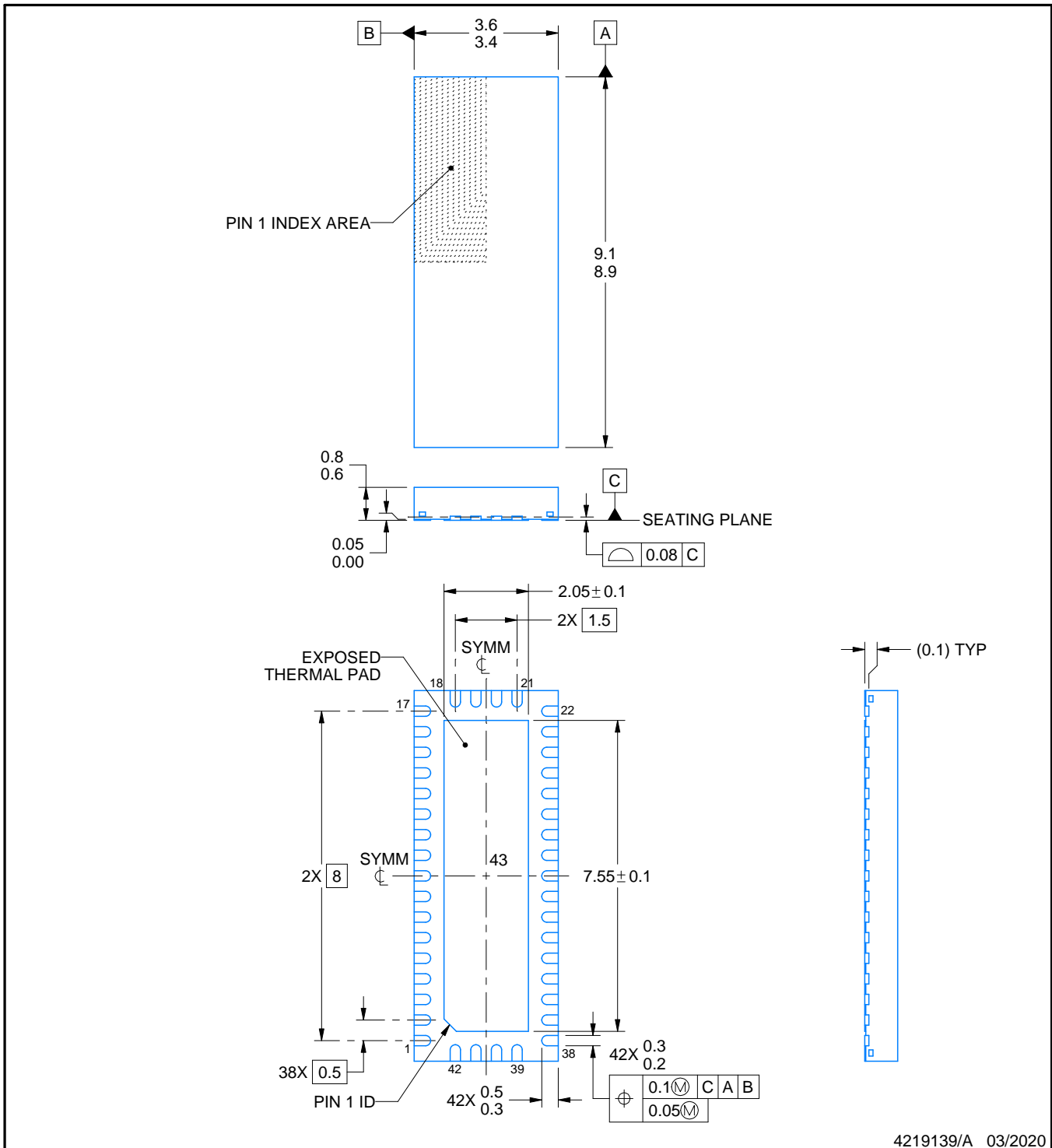
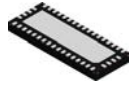
9 x 3.5, 0.5 mm pitch

PLASTIC QUAD FLATPACK - NO LEAD

This image is a representation of the package family, actual package may vary.
Refer to the product data sheet for package details.



4226504/A



4219139/A 03/2020

NOTES:

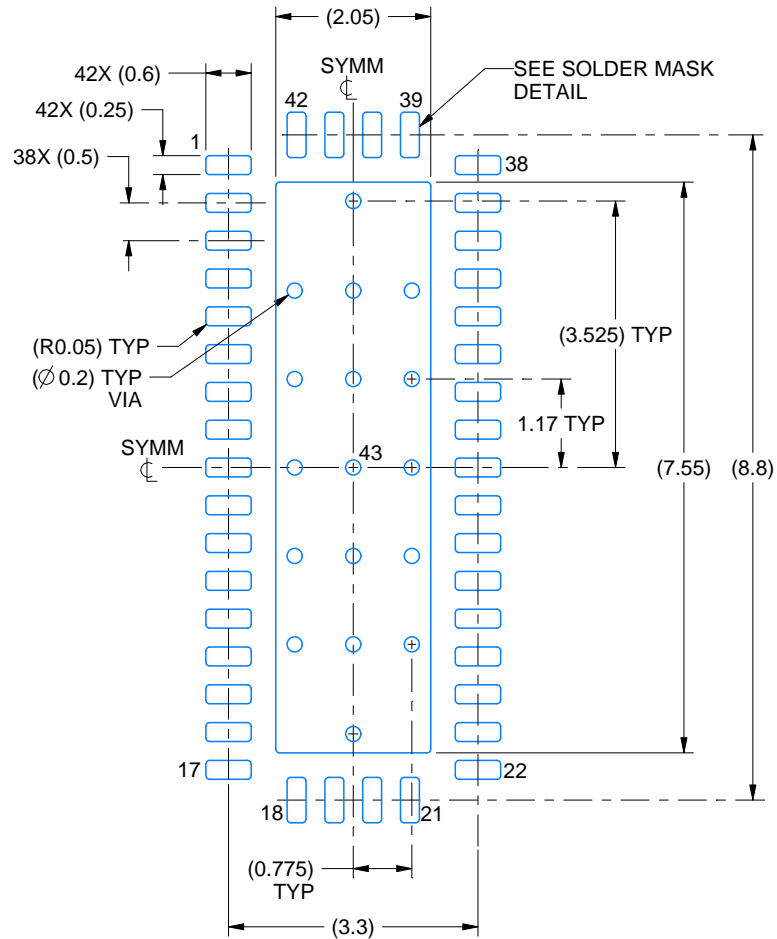
1. All linear dimensions are in millimeters. Any dimensions in parenthesis are for reference only. Dimensioning and tolerancing per ASME Y14.5M.
2. This drawing is subject to change without notice.
3. The package thermal pad must be soldered to the printed circuit board for thermal and mechanical performance.

EXAMPLE BOARD LAYOUT

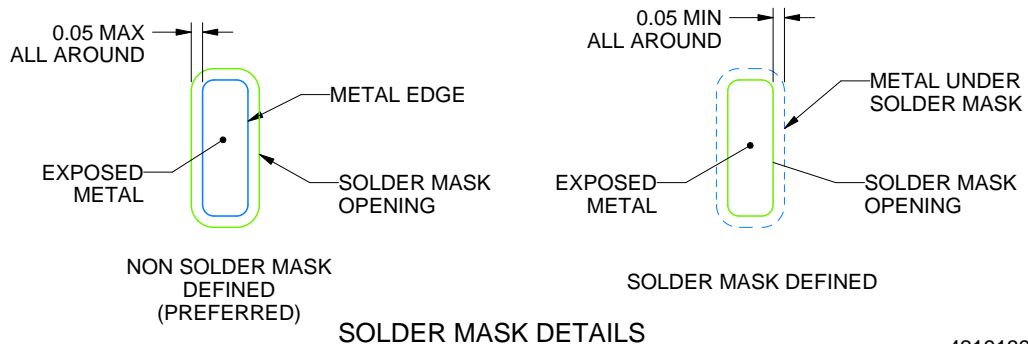
RUA0042A

WQFN - 0.8 mm max height

PLASTIC QUAD FLATPACK - NO LEAD



LAND PATTERN EXAMPLE
EXPOSED METAL SHOWN
SCALE: 10X



4219139/A 03/2020

NOTES: (continued)

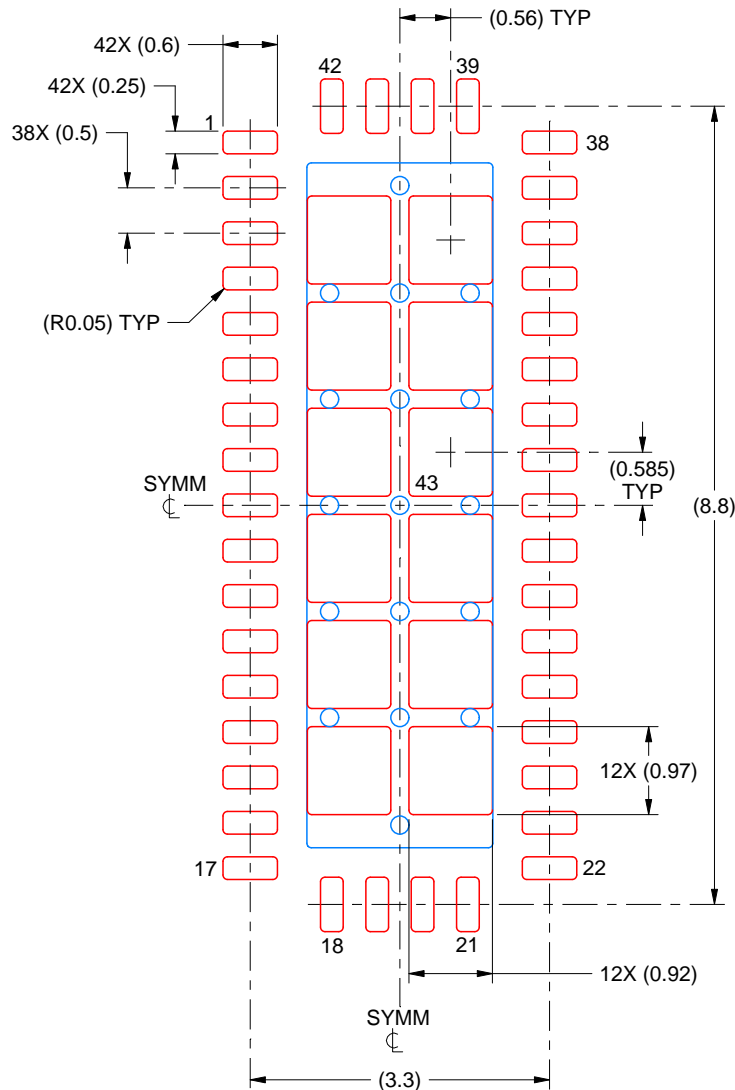
- This package is designed to be soldered to a thermal pad on the board. For more information, see Texas Instruments literature number SLUA271 (www.ti.com/lit/sluea271).
- Vias are optional depending on application, refer to device data sheet. If any vias are implemented, refer to their locations shown on this view. It is recommended that vias under paste be filled, plugged or tented.

EXAMPLE STENCIL DESIGN

RUA0042A

WQFN - 0.8 mm max height

PLASTIC QUAD FLATPACK - NO LEAD



SOLDER PASTE EXAMPLE
BASED ON 0.125 MM THICK STENCIL
SCALE: 12X

EXPOSED PAD 43
69% PRINTED SOLDER COVERAGE BY AREA UNDER PACKAGE

4219139/A 03/2020

NOTES: (continued)

6. Laser cutting apertures with trapezoidal walls and rounded corners may offer better paste release. IPC-7525 may have alternate design recommendations.

IMPORTANT NOTICE AND DISCLAIMER

TI PROVIDES TECHNICAL AND RELIABILITY DATA (INCLUDING DATA SHEETS), DESIGN RESOURCES (INCLUDING REFERENCE DESIGNS), APPLICATION OR OTHER DESIGN ADVICE, WEB TOOLS, SAFETY INFORMATION, AND OTHER RESOURCES "AS IS" AND WITH ALL FAULTS, AND DISCLAIMS ALL WARRANTIES, EXPRESS AND IMPLIED, INCLUDING WITHOUT LIMITATION ANY IMPLIED WARRANTIES OF MERCHANTABILITY, FITNESS FOR A PARTICULAR PURPOSE OR NON-INFRINGEMENT OF THIRD PARTY INTELLECTUAL PROPERTY RIGHTS.

These resources are intended for skilled developers designing with TI products. You are solely responsible for (1) selecting the appropriate TI products for your application, (2) designing, validating and testing your application, and (3) ensuring your application meets applicable standards, and any other safety, security, regulatory or other requirements.

These resources are subject to change without notice. TI grants you permission to use these resources only for development of an application that uses the TI products described in the resource. Other reproduction and display of these resources is prohibited. No license is granted to any other TI intellectual property right or to any third party intellectual property right. TI disclaims responsibility for, and you will fully indemnify TI and its representatives against, any claims, damages, costs, losses, and liabilities arising out of your use of these resources.

TI's products are provided subject to [TI's Terms of Sale](#) or other applicable terms available either on [ti.com](https://www.ti.com) or provided in conjunction with such TI products. TI's provision of these resources does not expand or otherwise alter TI's applicable warranties or warranty disclaimers for TI products.

TI objects to and rejects any additional or different terms you may have proposed.

Mailing Address: Texas Instruments, Post Office Box 655303, Dallas, Texas 75265

Copyright © 2025, Texas Instruments Incorporated