

## Gigabit 4x4 CROSSPOINT SWITCH

### FEATURES

- Up to 4.25 Gbps Operation
- Non-blocking Architecture Allows Each Output to be Connected to Any Input
- 30 ps of Deterministic Jitter
- Selectable Transmit Pre-Emphasis Per Lane
- Selectable Receive Equalization
- Available Packaging 48 Pin QFN
- Propagation Delay Times: 500 ps Typical
- Inputs Electrically Compatible With CML Signal Levels
- Operates From a Single 3.3-V Supply
- Ability to 3-STATE outputs
- Low Power: 560 mW
- Integrated Termination Resistors

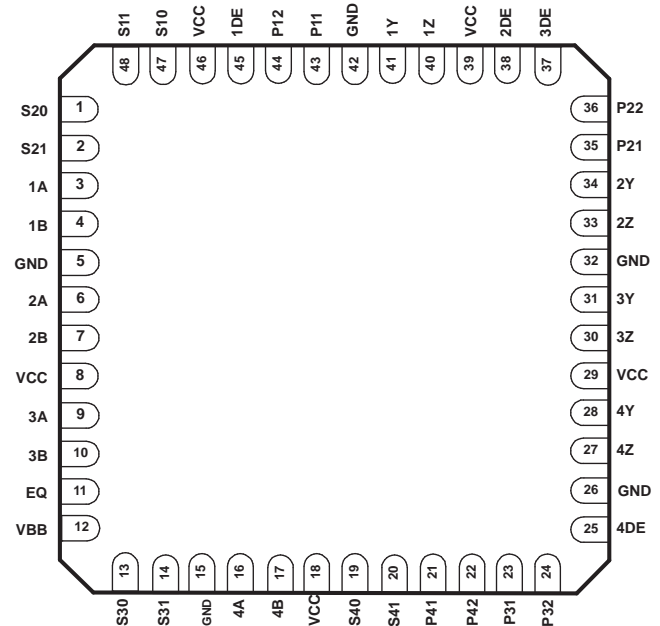
### APPLICATIONS

- Clock Buffering/Clock MUXing
- Wireless Base Stations
- High-Speed Network Routing
- Telecom/Datacom
- XAUI 802.3ae Protocol Backplane Redundancy

### DESCRIPTION

The SN65LVCP404 is a 4x4 non-blocking crosspoint switch in a flow-through pin-out allowing for ease in PCB layout. VML signaling is used to achieve a high-speed data throughput while using low power. Each of the output drivers includes a 4:1 multiplexer to allow any input to be routed to any output. Internal signal paths are fully differential to achieve the high signaling speeds while maintaining low signal skews. The SN65LVCP404 incorporates 100-Ω termination resistors for those applications where board space is a premium. Built-in transmit pre-emphasis and receive equalization for superior signal integrity performance.

The SN65LVCP404 is characterized for operation from -40°C to 85°C.

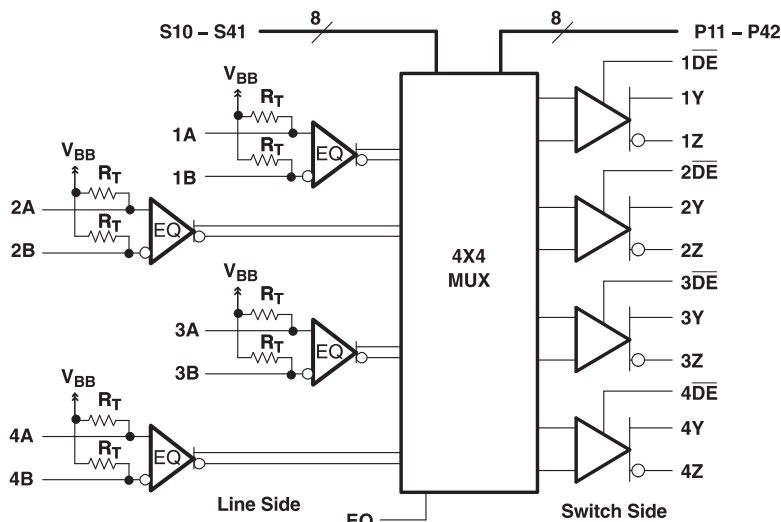


Please be aware that an important notice concerning availability, standard warranty, and use in critical applications of Texas Instruments semiconductor products and disclaimers thereto appears at the end of this data sheet.



These devices have limited built-in ESD protection. The leads should be shorted together or the device placed in conductive foam during storage or handling to prevent electrostatic damage to the MOS gates.

**LOGIC DIAGRAM**



**Note:**

**V<sub>BB</sub>:** Receiver input internal biasing voltage (allows ac coupling)

**EQ:** Input Equalizer (compensates for frequency dependent transmission line loss of backplanes)

**R<sub>T</sub>:** Internal 50-Ohm receiver termination (100-Ohm differential)

**Preemphasis:** Output precompensation for transmission line losses

**TERMINAL FUNCTIONS**

TERMINAL		TYPE	DESCRIPTION
NAME	NO.		
<b>High Speed I/O</b>			
xA xB	3, 6, 9, 16 4, 7, 10, 17	Differential Inputs (with 50-Ω termination to V <sub>bb</sub> ) xA=P; xB=N	Line Side Differential Inputs CML compatible
xY xZ	41, 34, 31, 28 40, 33, 30, 27	Differential Output xY=P; xZ=N	Switch Side Differential Outputs. VML
<b>Control Signals</b>			
x $\overline{DE}$	45, 38, 37, 25	Input	Data Enable; Active Low; LVTTTL; When not enabled the output is in 3-STATE mode for power savings
S10 - S41	1, 2, 13, 14, 19, 20, 47, 48	Input; S1x = Channel 1 bit one	Switching Selection; LVTTTL
P11-P42	43, 44, 35, 36, 23, 24, 21, 22	Input; P1x- Channel 1 bit one	Output Preemphasis Control; LVTTTL
EQ	11	Input; Selection for receive equalization setting	EQ = 1 (default) is for the 5 dB setting, EQ = 0 is for the 12 dB setting
<b>Power Supply</b>			
VCC	8, 18, 29, 39, 46	Power	Power Supply 3.3v ±5%
GND	5, 15, 26, 32, 42		
Thermal Pad			The ground center pad of the package must be connected to GND plane.
V <sub>BB</sub>	12	Input	Receiver input biasing voltage. For ac coupling, V <sub>BB</sub> should be left floating for optimal bias value. For dc coupling, V <sub>BB</sub> can be driven to change the common mode. V <sub>BB</sub> should not be tied to ground.

EQUIVALENT INPUT AND OUTPUT SCHEMATIC DIAGRAMS

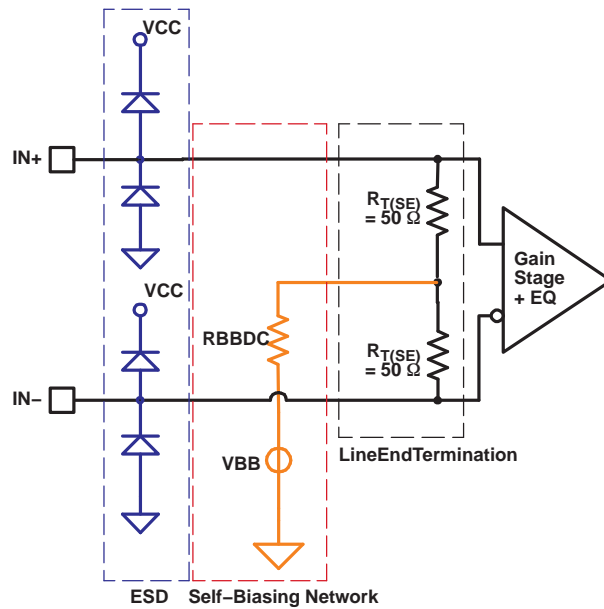


Figure 1. Equivalent Input Circuit Design

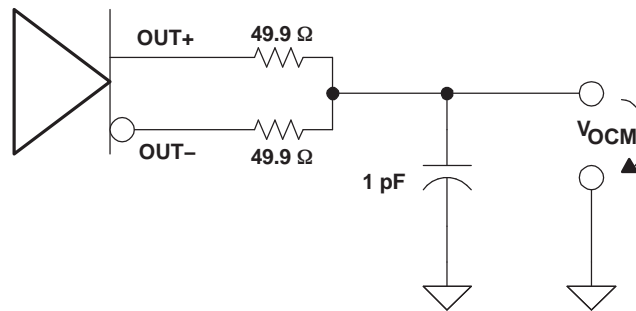


Figure 2. Common-Mode Output Voltage Test Circuit

Table 1. CROSSPOINT LOGIC TABLES

OUTPUT CHANNEL 1			OUTPUT CHANNEL 2			OUTPUT CHANNEL 3			OUTPUT CHANNEL 4		
CONTROL PINS		INPUT SELECTED	CONTROL PINS		INPUT SELECTED	CONTROL PINS		INPUT SELECTED	CONTROL PINS		INPUT SELECTED
S10	S11	1Y/1Z	S20	S21	2Y/2Z	S30	S31	3Y/3Z	S40	S41	4Y/4Z
0	0	1A/1B	0	0	1A/1B	0	0	1A/1B	0	0	1A/1B
0	1	2A/2B	0	1	2A/2B	0	1	2A/2B	0	1	2A/2B
1	0	3A/3B	1	0	3A/3B	1	0	3A/3B	1	0	3A/3B
1	1	4A/4B	1	1	4A/4B	1	1	4A/4B	1	1	4A/4B

AVAILABLE OPTIONS

T <sub>A</sub>	DESCRIPTION	PACKAGED DEVICE <sup>(1)</sup>
		RGZ (48 pin)
-40°C to 85°C	Serial multiplexer	SN65LVCP404

(1) The package is available taped and reeled. Add an R suffix to device types (e.g., SN65LVCP404RGZR).

## PACKAGE THERMAL CHARACTERISTICS

PACKAGE THERMAL CHARACTERISTICS <sup>(1)</sup>		NOM	UNIT
$\theta_{JA}$ (junction-to-ambient)	4-layer JEDEC Board (JESD51-7) using eight GND-vias $\theta=0.2$ on the center pad as shown in the section: <i>Recommended PCB footprint</i> with boundary and environment conditions of JEDEC Board (JESD51-2)	33	°C/W
$\theta_{JB}$ (junction-to-board)		20	°C/W
$\theta_{JC}$ (junction-to-case)		23.6	°C/W
PSI-jt (junction-to-top pseudo)		0.6	°C/W
PSI-jb (junction-to-board pseudo)		19.4	°C/W
$\theta_{JP}$ (junction-to-pad)		5.4	°C/W

(1) See application note [SPRA953](http://www-s.ti.com/sc/psheets/spra953/spra953.pdf) for a detailed explanation of thermal parameters (<http://www-s.ti.com/sc/psheets/spra953/spra953.pdf>).

## ABSOLUTE MAXIMUM RATINGS

over operating free-air temperature range (unless otherwise noted)<sup>(1)</sup>

		UNIT
$V_{CC}$	Supply voltage range <sup>(2)</sup>	–0.5 V to 6 V
Voltage range	Control inputs, all outputs	–0.5 V to ( $V_{CC} + 0.5$ V)
	Receiver inputs	–0.5 V to 4 V
ESD	Human Body Model <sup>(3)</sup>	All pins 3 kV
	Charged-Device Model <sup>(4)</sup>	All pins 500 V
$T_J$	Maximum junction temperature	See Package Thermal Characteristics Table
	Moisture sensitivity level	2
	Reflow temperature package soldering, 4 seconds	260°C

- (1) Stresses beyond those listed under absolute maximum ratings may cause permanent damage to the device. These are stress ratings only and functional operation of the device at these or any other conditions beyond those indicated under recommended operating conditions is not implied. Exposure to absolute-maximum-rated conditions for extended periods may affect device reliability.
- (2) All voltage values, except differential I/O bus voltages, are with respect to network ground terminal.
- (3) Tested in accordance with JEDEC Standard 22, Test Method A114-A.
- (4) Tested in accordance with JEDEC Standard 22, Test Method C101.

## RECOMMENDED OPERATING CONDITIONS

		MIN	NOM	MAX	UNIT	
dR	Operating data rate			4.25	Gbps	
V <sub>CC</sub>	Supply voltage	3.135	3.3	3.465	V	
V <sub>CC(N)</sub>	Supply voltage noise amplitude	10 Hz to 2.125 GHz		20	mV	
T <sub>J</sub>	Junction temperature			125	°C	
T <sub>A</sub>	Operating free-air temperature <sup>(1)</sup>	-40		85	°C	
<b>DIFFERENTIAL INPUTS</b>						
V <sub>ID</sub>	Receiver peak-to-peak differential input voltage <sup>(2)</sup>	dR <sub>(in)</sub> ≤ 4.25 Gbps		100	1750	mV <sub>PP</sub>
		1.25 Gbps < dR <sub>(in)</sub> ≤ 4.25 Gbps		100	1560	mV <sub>PP</sub>
		dR <sub>(in)</sub> > 4.25 Gbps		100	1000	mV <sub>PP</sub>
V <sub>ICM</sub>	Receiver common-mode input voltage	Note: for best jitter performance ac coupling is recommended.		1.5	1.6 V <sub>CC</sub> - $\frac{ V_{ID} }{2}$	V
<b>CONTROL INPUTS</b>						
V <sub>IH</sub>	High-level input voltage	2		V <sub>CC</sub> + 0.3	V	
V <sub>IL</sub>	Low-level input voltage	-0.3		0.8	V	
<b>DIFFERENTIAL OUTPUTS</b>						
R <sub>L</sub>	Differential load resistance	80	100	120	Ω	

(1) Maximum free-air temperature operation is allowed as long as the device maximum junction temperature is not exceeded.

(2) Differential input voltage V<sub>ID</sub> is defined as |IN+ – IN–|.

## ELECTRICAL CHARACTERISTICS

over operating free-air temperature range (unless otherwise noted)

PARAMETER	TEST CONDITIONS	MIN	TYP <sup>(1)</sup>	MAX	UNIT
<b>DIFFERENTIAL INPUTS</b>					
V <sub>IT+</sub>	Positive going differential input high threshold			50	mV
V <sub>IT–</sub>	Negative going differential input low threshold	-50			mV
A <sub>(EQ)</sub>	Equalizer gain	at 1.875 GHz (EQ=0)		12	dB
R <sub>T(D)</sub>	Termination resistance, differential	80	100	120	Ω
V <sub>BB</sub>	Open-circuit Input voltage (input self-bias voltage)	AC-coupled inputs		1.6	V
R <sub>(BBDC)</sub>	Biassing network dc impedance		30		kΩ
R <sub>(BBAC)</sub>	Biassing network ac impedance	375 MHz	42		Ω
		2.125 GHz	8.4		
<b>DIFFERENTIAL OUTPUTS</b>					
V <sub>ODH</sub>	High-level output voltage	R <sub>L</sub> = 100 Ω ±1%, P <sub>X_2</sub> = P <sub>X_1</sub> = 0; 4 Gbps alternating 1010-pattern; <a href="#">Figure 3</a>		650	mV <sub>PP</sub>
V <sub>ODL</sub>	Low-level output voltage			-650	mV <sub>PP</sub>
V <sub>ODB(PP)</sub>	Output differential voltage without preemphasis <sup>(2)</sup>			1000	1300
V <sub>OCM</sub>	Output common mode voltage		1.65		V
ΔV <sub>OC(SS)</sub>	Change in steady-state common-mode output voltage between logic states	See <a href="#">Figure 2</a>		1	mV

(1) All typical values are at T<sub>A</sub> = 25°C and V<sub>CC</sub> = 3.3 V supply unless otherwise noted. They are for reference purposes and are not production tested.

(2) Differential output voltage V<sub>(ODB)</sub> is defined as |OUT+ – OUT–|.

**ELECTRICAL CHARACTERISTICS (continued)**

over operating free-air temperature range (unless otherwise noted)

PARAMETER		TEST CONDITIONS	MIN	TYP <sup>(1)</sup>	MAX	UNIT
$V_{(PE)}$	Output preemphasis voltage ratio, $\frac{V_{ODB(PP)}}{V_{ODPE(PP)}}$	$R_L = 100 \Omega \pm 1\%$ ; $x = L$ or $S$ ; See <a href="#">Figure 3</a>				dB
		$Px\_2:Px\_1 = 00$		0		
		$Px\_2:Px\_1 = 01$		3		
		$Px\_2:Px\_1 = 10$		6		
		$Px\_2:Px\_1 = 11$		9		
$t_{(PRE)}$	Preemphasis duration measurement	Output preemphasis is set to 9 dB during test $Px\_x = 1$ ; Measured with a 100-MHz clock signal; $R_L = 100 \Omega \pm 1\%$ , See <a href="#">Figure 4</a>		175		ps
$r_o$	Output resistance	Differential on-chip termination between OUT+ and OUT–		100		$\Omega$
<b>CONTROL INPUTS</b>						
$I_{IH}$	High-level Input current	$V_{IN} = V_{CC}$			5	$\mu A$
$I_{IL}$	Low-level Input current	$V_{IN} = GND$	-125	-90		$\mu A$
$R_{(PU)}$	Pullup resistance			35		k $\Omega$
<b>POWER CONSUMPTION</b>						
$P_D$	Device power dissipation	All outputs terminated 100 $\Omega$		560	750	mW
$P_Z$	Device power dissipation in 3-State	All outputs in 3-state			600	mW
$I_{CC}$	Device current consumption	All outputs terminated 100 $\Omega$			220	mA
		PRBS $2^{7-1}$ pattern at 4.25 Gbps				

**SWITCHING CHARACTERISTICS**

over operating free-air temperature range (unless otherwise noted)

PARAMETER		TEST CONDITIONS	MIN	TYP <sup>(1)</sup>	MAX	UNIT
<b>MULTIPLEXER</b>						
$t_{(SM)}$	Multiplexer switch time	Multiplexer to valid output		3	6	ns
<b>DIFFERENTIAL OUTPUTS</b>						
$t_{PLH}$	Low-to-high propagation delay	Propagation delay input to output See <a href="#">Figure 6</a>		0.5	0.7	ns
$t_{PHL}$	High-to-low propagation delay			0.5	0.7	ns
$t_r$	Rise time	20% to 80% of $V_{O(DB)}$ ; Test Pattern: 100-MHz clock signal; See <a href="#">Figure 5</a> and <a href="#">Figure 8</a>		80		ps
$t_f$	Fall time			80		ps
$t_{sk(p)}$	Pulse skew, $ t_{PHL} - t_{PLH} ^{(2)}$				20	ps
$t_{sk(o)}$	Output skew <sup>(3)</sup>	All outputs terminated with 100 $\Omega$		25	100	ps
$t_{sk(pp)}$	Part-to-part skew <sup>(4)</sup>				300	ps
$t_{zd}$	3-State switch time to Disable	Assumes 50 $\Omega$ to $V_{cm}$ and 150 pF load on each output			20	ns
$t_{ze}$	3-State switch time to Enable	Assumes 50 $\Omega$ to $V_{cm}$ and 150 pF load on each output			10	ns
RJ	Device random jitter, rms	See <a href="#">Figure 8</a> for test circuit. BERT setting $10^{-15}$ Alternating 10-pattern.		0.8	2	ps-rms

(1) All typical values are at 25°C and with 3.3 V supply unless otherwise noted.

(2)  $t_{sk(p)}$  is the magnitude of the time difference between the  $t_{PLH}$  and  $t_{PHL}$  of any output of a single device.(3)  $t_{sk(o)}$  is the magnitude of the time difference between the  $t_{PLH}$  and  $t_{PHL}$  of any two outputs of a single device.(4)  $t_{sk(pp)}$  is the magnitude of the difference in propagation delay times between any specified terminals of two devices when both devices operate with the same supply voltages, at the same temperature, and have identical packages and test circuits.

**SWITCHING CHARACTERISTICS (continued)**

over operating free-air temperature range (unless otherwise noted)

PARAMETER		TEST CONDITIONS			MIN	TYP <sup>(1)</sup>	MAX	UNIT
DJ	Intrinsic deterministic device jitter <sup>(5)(6)</sup> , peak-to-peak	0 dB preemphasis (PRE <sub>x</sub> = 0); See <a href="#">Figure 8</a> for the test circuit.	PRBS 2 <sup>7-1</sup> pattern	4.25 Gbps			30	ps
	Absolute deterministic output jitter <sup>(7)</sup> , peak-to-peak	0 dB preemphasis (PRE <sub>x</sub> = 0); See <a href="#">Figure 8</a> for the test circuit.	PRBS 2 <sup>7-1</sup> pattern	1.25Gbps; EQ=1 Over 25-inch FR4 trace 4.25 Gbps; EQ=0 Over FR4 trace 2-inch to 43 inches long		7		ps
						20		

- (5) Intrinsic deterministic device jitter is a measurement of the deterministic jitter contribution from the device. It is derived by the equation  $(DJ_{(OUT)} - DJ_{(IN)})$ , where  $DJ_{(OUT)}$  is the total peak-to-peak deterministic jitter measured at the output of the device in PSPP.  $DJ_{(IN)}$  is the peak-to-peak deterministic jitter of the pattern generator driving the device.
- (6) The SN65LVCP404 built-in passive input equalizer compensates for ISI. For a 25-inch FR4 transmission line with 8-mil trace width, the LVCP404 typically reduces jitter by 60 ps from the device input to the device output.
- (7) Absolute deterministic output jitter reflects the deterministic jitter measured at the SN65LVCP404 output. The value is a real measured value with a Bit error tester as described in [Figure 8](#). The absolute DJ reflects the sum of all deterministic jitter components accumulated over the link:  $DJ_{(absolute)} = DJ_{(Signal\ generator)} + DJ_{(transmission\ line)} + DJ_{(intrinsic(LVCP404))}$ .

**Table 2. Preemphasis Controls PL\_2, PL\_1, PS\_2, and PS\_1**

Px_2 <sup>(1)</sup>	Px_1 <sup>(1)</sup>	OUTPUT PREEMPHASIS LEVEL IN dB	OUTPUT LEVEL IN mVpp		TYPICAL FR4 TRACE LENGTH
			DE-EMPHASIZED	PRE-EMPHASIZED	
0	0	0 dB	1200	1200	10 inches of FR4 trace
0	1	3 dB	850	1200	20 inches of FR4 trace
1	0	6 dB	600	1200	30 inches of FR4 trace
1	1	9 dB	425	1200	40 inches of FR4 trace

(1) x = L or S

**Table 3. Receive Equalization Settings**

EQ	EQUALIZATION	TYPICAL TRACE
1	5 dB	25 inches of FR4
0	12 dB	43 inches of FR4

PARAMETER MEASUREMENT INFORMATION

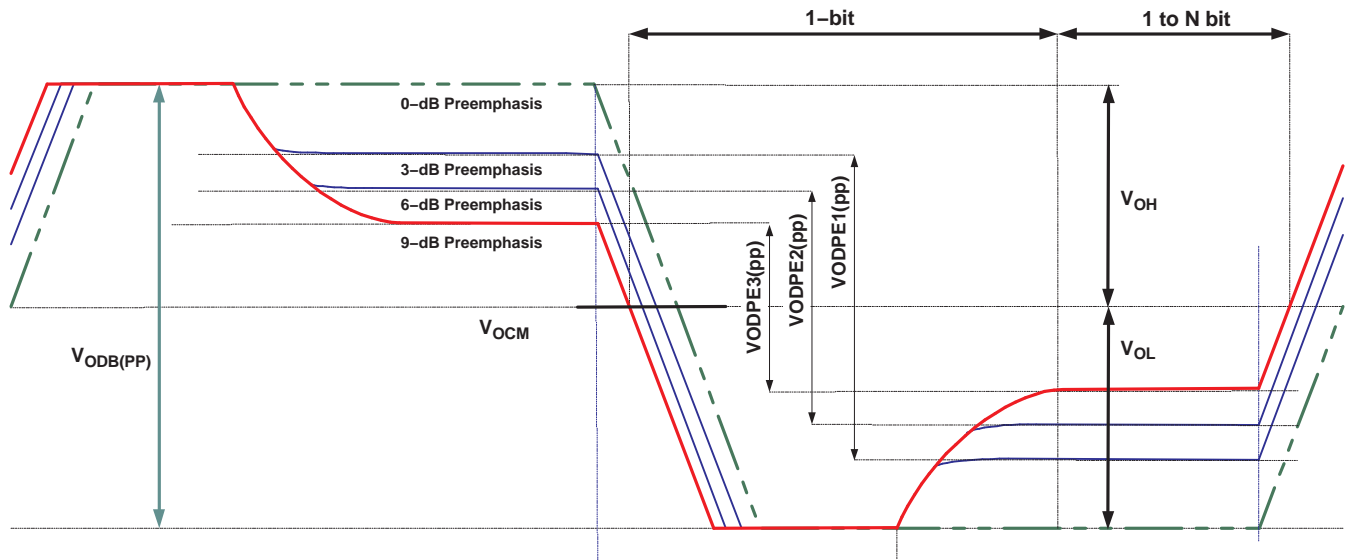


Figure 3. Preemphasis and Output Voltage Waveforms and Definitions

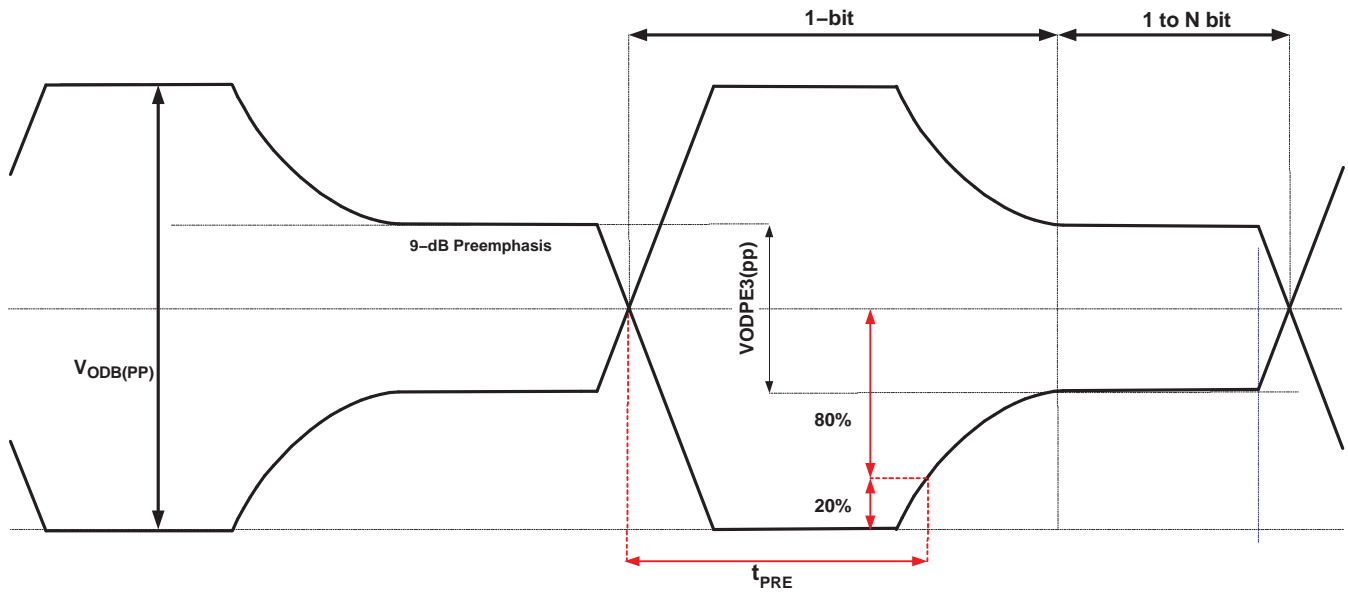


Figure 4.  $t_{PRE}$  Preemphasis Duration Measurement

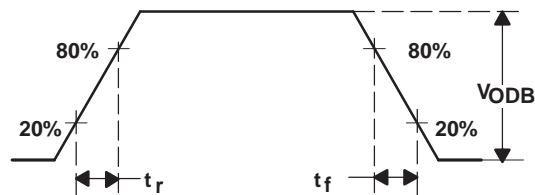


Figure 5. Driver Output Transition Time

PARAMETER MEASUREMENT INFORMATION (continued)

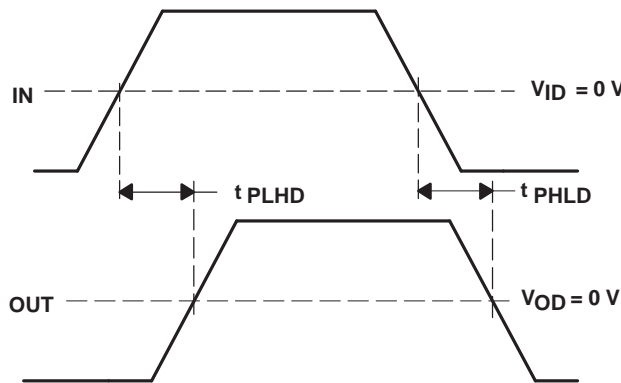
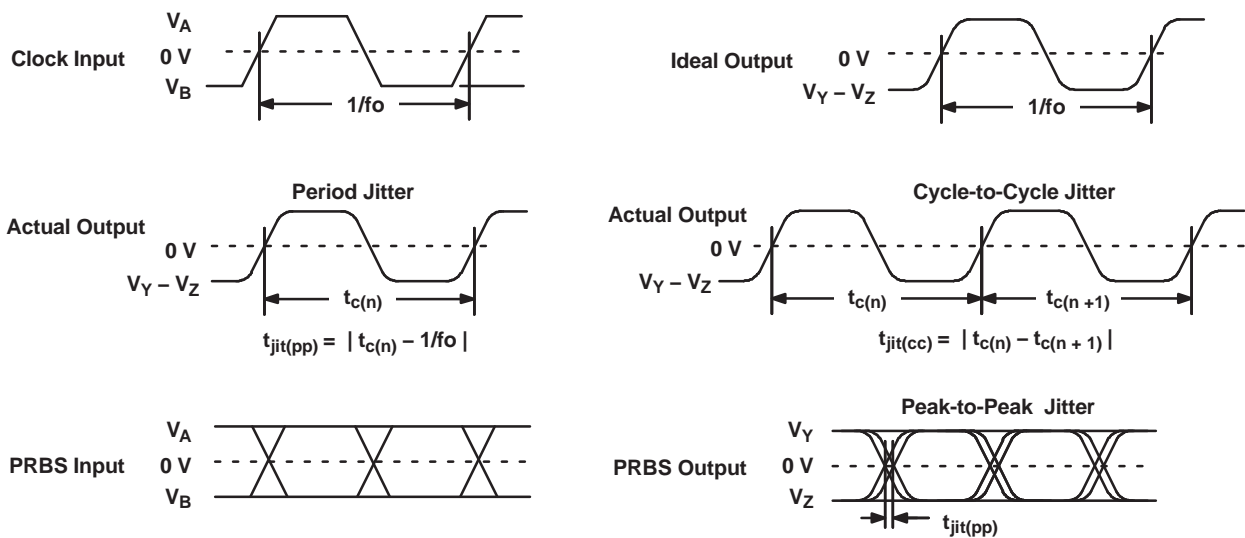


Figure 6. Propagation Delay Input to Output



- A. All input pulses are supplied by an Agilent 81250 Stimulus System.
- B. The measurement is made with the AgilentParBert measurement software.

Figure 7. Driver Jitter Measurement Waveforms

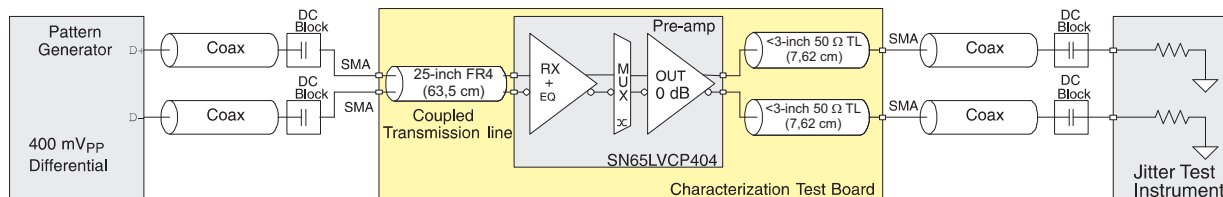
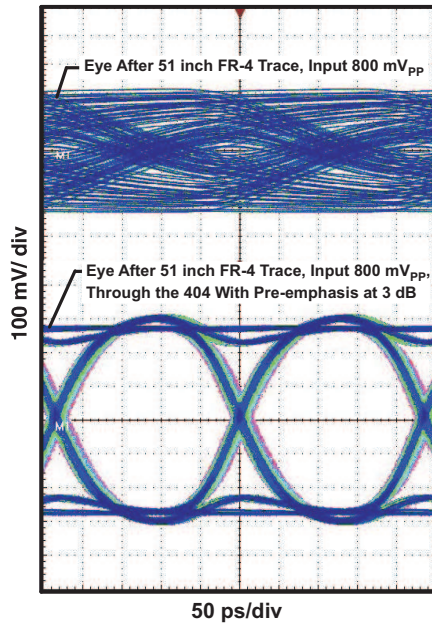


Figure 8. AC Test Circuit — Jitter and Output Rise Time Test Circuit

The SN65LVCP404 input equalizer provides 5-dB frequency gain to compensate for frequency loss of a shorter backplane transmission line. For characterization purposes, a 25-inch (63,5 cm) FR-4 coupled transmission line is used in place of the backplane trace. The 25-inch trace provides roughly 5 dB of attenuation between 375 MHz and 2.125 GHz, representing closely the characteristics of a short backplane trace. The loss tangent of the FR4 in the test board is 0.018 with an effective  $\epsilon(r)$  of 4.1.

TYPICAL DEVICE BEHAVIOR



NOTE: 51 Inches (129.54 cm) Input Trace, dR = 4.25 Gbps;  $2^{7-1}$  PRBS  
 Figure 9. Data Input and Output Pattern

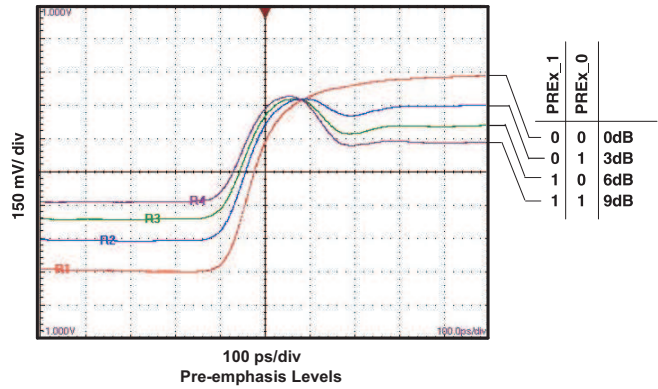


Figure 10. Preemphasis Signal Shape

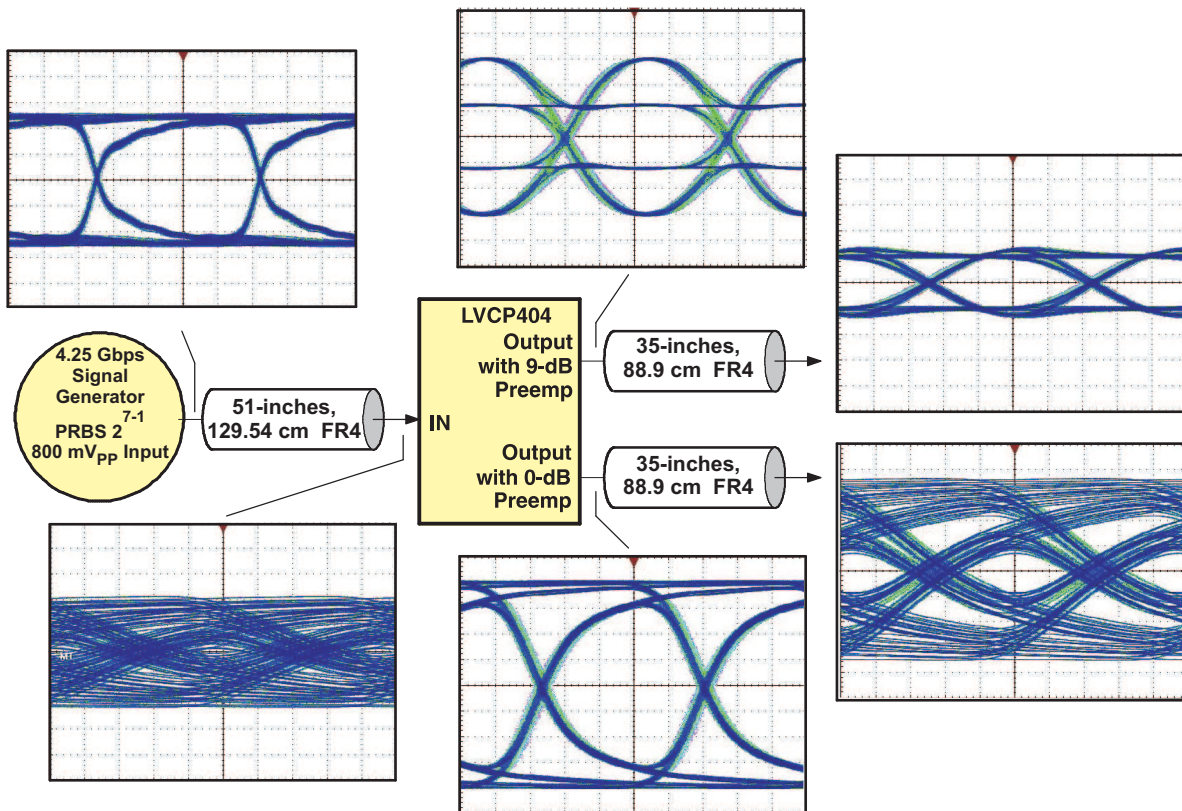


Figure 11. Data Output Pattern

TYPICAL CHARACTERISTICS

DETERMINISTIC OUTPUT JITTER vs DATA RATE

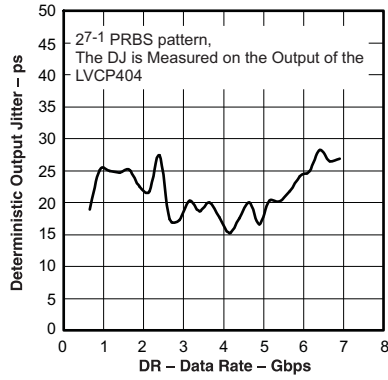


Figure 12.

DETERMINISTIC OUTPUT JITTER vs DIFFERENTIAL INPUT AMPLITUDE

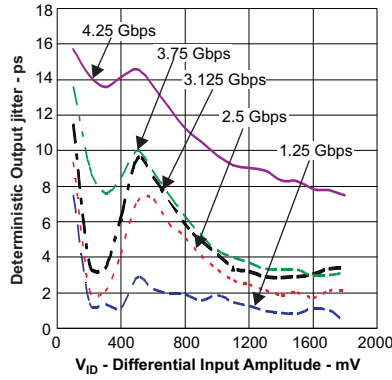


Figure 13.

DIFFERENTIAL OUTPUT VOLTAGE vs DATA RATE

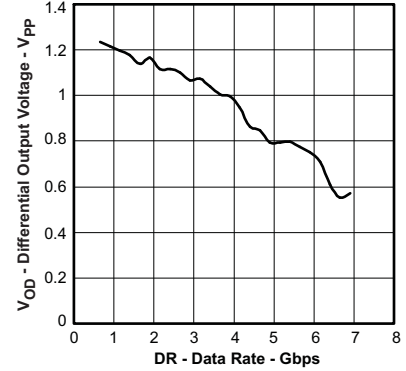


Figure 14.

SUPPLY NOISE vs DETERMINISTIC JITTER vs DATA RATE

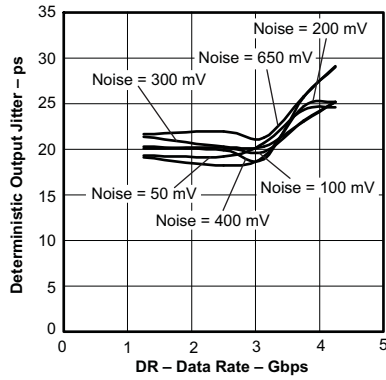


Figure 15.

DETERMINISTIC OUTPUT JITTER vs COMMON-MODE INPUT VOLTAGE

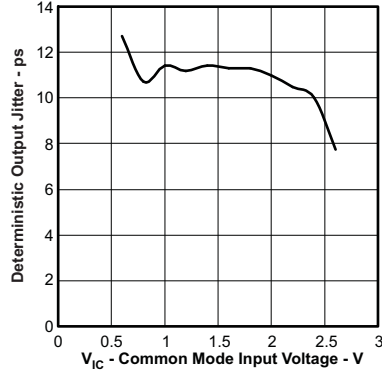


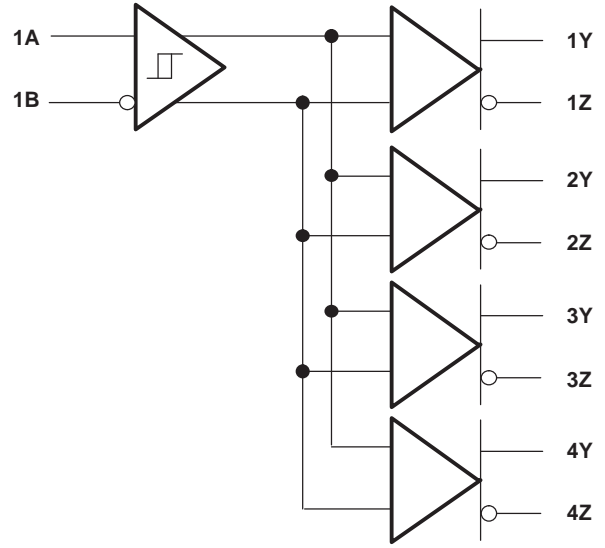
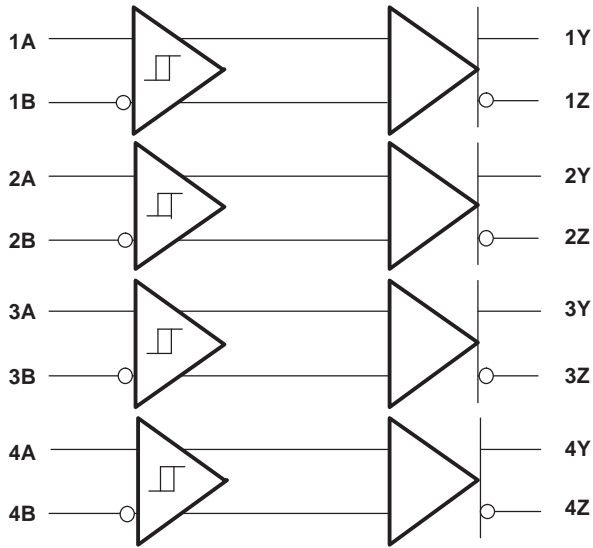
Figure 16.

APPLICATION INFORMATION

CONFIGURATION EXAMPLES

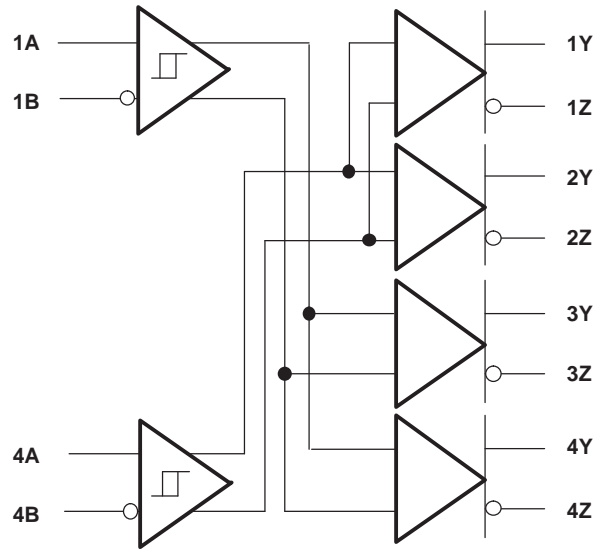
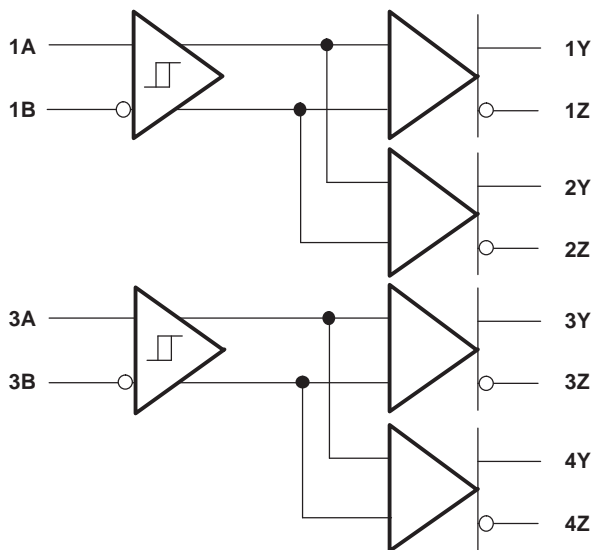
S10	S11	S20	S21
0	0	0	1
S30	S31	S40	S41
1	0	1	1

S10	S11	S20	S21
0	0	0	0
S30	S31	S40	S41
0	0	0	0



S10	S11	S20	S21
0	0	0	0
S30	S31	S40	S41
1	0	1	0

S10	S11	S20	S21
1	1	1	1
S30	S31	S40	S41
0	0	0	0



## BANDWIDTH REQUIREMENTS

Error free transmission of data over a transmission line has specific bandwidth demands. It is helpful to analyze the frequency spectrum of the transmit data first. For an 8B10B coded data stream at 3.75 Gbps of random data, the highest bit transition density occurs with a 1010 pattern (1.875 GHz). The least transition density in 8B10B allows for five consecutive ones or zeros. Hence, the lowest frequency of interest is  $1.875 \text{ GHz}/5 = 375 \text{ MHz}$ . Real data signals consist of higher frequency components than sine waves due to the fast rise time. The faster the rise time, the more bandwidth becomes required. For 80-ps rise time, the highest important frequency component is at least  $0.6/(\pi \times 80 \text{ ps}) = 2.4 \text{ GHz}$ . Figure 17 shows the Fourier transformation of the 375-MHz and 1.875-GHz trapezoidal signal.

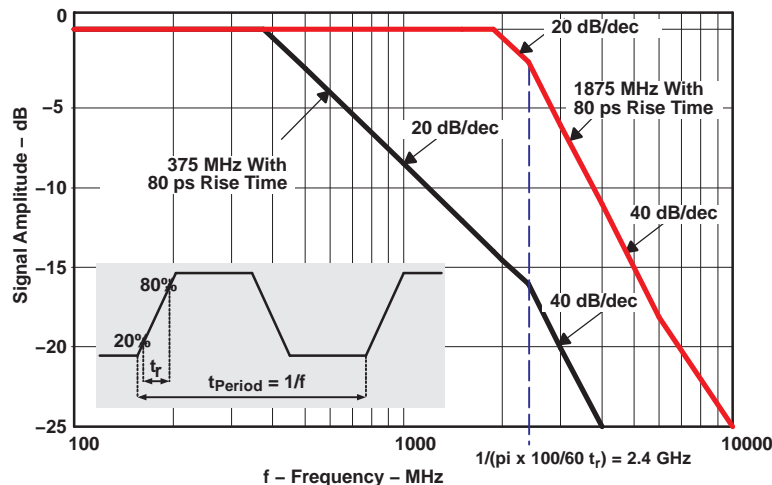


Figure 17. Approximate Frequency Spectrum of the Transmit Output Signal With 80 ps Rise Time

The spectrum analysis of the data signal suggests building a backplane with little frequency attenuation up to 2 GHz. Practically, this is achievable only with expensive, specialized PCB material. To support material like FR4, a compensation technique is necessary to compensate for backplane imperfections.

## EXPLANATION OF EQUALIZATION

Backplane designs differ widely in size, layer stack-up, and connector placement. In addition, the performance is impacted by trace architecture (trace width, coupling method) and isolation from adjacent signals. Common to most commercial backplanes is the use of FR4 as board material and its related high-frequency signal attenuation. Within a backplane, the shortest to longest trace lengths differ substantially – often ranging from 8 inches up to 40 inches. Increased loss is associated with longer signal traces. In addition, the backplane connector often contributes a good amount of signal attenuation. As a result, the frequency signal attenuation for a 300-MHz signal might range from 1 dB to 4 dB while the corresponding attenuation for a 2-GHz signal might span 6 dB to 24 dB. This frequency dependent loss causes distortion jitter on the transmitted signal. Each LVCP404 receiver input incorporates an equalizer and compensates for such frequency loss. The SN65LVCP404 equalizer provides 5 dB of frequency gain between 375 MHz and 1.875 GHz, compensating roughly for 20 inches of FR4 material with 8-mil trace width. Distortion jitter improvement is substantial, often providing more than 30-ps jitter reduction. The 5-dB compensation is sufficient for most short backplane traces. For longer trace lengths, it is recommended to enable transmit preemphasis in addition.

## SETTING THE PREAMPHASIS LEVEL

The receive equalization compensates for ISI. This reduces jitter and opens the data eye. In order to find the best preemphasis setting for each link, calibration of every link is recommended. Assuming each link consists of a transmitter (with adjustable pre-emphasis such as LVCP404) and the LVCP404 receiver, the following steps are necessary:

1. Set the transmitter and receiver to 0-dB preemphasis; record the data eye on the LVCP404 receiver output.
2. Increase the transmitter preemphasis until the data eye on the LVCP404 receiver output looks the cleanest.

**PACKAGING INFORMATION**

Orderable part number	Status (1)	Material type (2)	Package   Pins	Package qty   Carrier	RoHS (3)	Lead finish/ Ball material (4)	MSL rating/ Peak reflow (5)	Op temp (°C)	Part marking (6)
<a href="#">SN65LVCP404RGZR</a>	Active	Production	VQFN (RGZ)   48	2500   LARGE T&R	Yes	NIPDAU	Level-3-260C-168 HR	-40 to 85	LVCP404
SN65LVCP404RGZR.B	Active	Production	VQFN (RGZ)   48	2500   LARGE T&R	Yes	NIPDAU	Level-3-260C-168 HR	-40 to 85	LVCP404
<a href="#">SN65LVCP404RGZT</a>	Active	Production	VQFN (RGZ)   48	250   SMALL T&R	Yes	NIPDAU	Level-3-260C-168 HR	-40 to 85	LVCP404
SN65LVCP404RGZT.B	Active	Production	VQFN (RGZ)   48	250   SMALL T&R	Yes	NIPDAU	Level-3-260C-168 HR	-40 to 85	LVCP404
SN65LVCP404RGZTG4	Active	Production	VQFN (RGZ)   48	250   SMALL T&R	Yes	NIPDAU	Level-3-260C-168 HR	-40 to 85	LVCP404
SN65LVCP404RGZTG4.B	Active	Production	VQFN (RGZ)   48	250   SMALL T&R	Yes	NIPDAU	Level-3-260C-168 HR	-40 to 85	LVCP404

(1) **Status:** For more details on status, see our [product life cycle](#).

(2) **Material type:** When designated, preproduction parts are prototypes/experimental devices, and are not yet approved or released for full production. Testing and final process, including without limitation quality assurance, reliability performance testing, and/or process qualification, may not yet be complete, and this item is subject to further changes or possible discontinuation. If available for ordering, purchases will be subject to an additional waiver at checkout, and are intended for early internal evaluation purposes only. These items are sold without warranties of any kind.

(3) **RoHS values:** Yes, No, RoHS Exempt. See the [TI RoHS Statement](#) for additional information and value definition.

(4) **Lead finish/Ball material:** Parts may have multiple material finish options. Finish options are separated by a vertical ruled line. Lead finish/Ball material values may wrap to two lines if the finish value exceeds the maximum column width.

(5) **MSL rating/Peak reflow:** The moisture sensitivity level ratings and peak solder (reflow) temperatures. In the event that a part has multiple moisture sensitivity ratings, only the lowest level per JEDEC standards is shown. Refer to the shipping label for the actual reflow temperature that will be used to mount the part to the printed circuit board.

(6) **Part marking:** There may be an additional marking, which relates to the logo, the lot trace code information, or the environmental category of the part.

Multiple part markings will be inside parentheses. Only one part marking contained in parentheses and separated by a "~" will appear on a part. If a line is indented then it is a continuation of the previous line and the two combined represent the entire part marking for that device.

**Important Information and Disclaimer:**The information provided on this page represents TI's knowledge and belief as of the date that it is provided. TI bases its knowledge and belief on information provided by third parties, and makes no representation or warranty as to the accuracy of such information. Efforts are underway to better integrate information from third parties. TI has taken and continues to take reasonable steps to provide representative and accurate information but may not have conducted destructive testing or chemical analysis on incoming materials and chemicals. TI and TI suppliers consider certain information to be proprietary, and thus CAS numbers and other limited information may not be available for release.

In no event shall TI's liability arising out of such information exceed the total purchase price of the TI part(s) at issue in this document sold by TI to Customer on an annual basis.



**TAPE AND REEL INFORMATION**

**QUADRANT ASSIGNMENTS FOR PIN 1 ORIENTATION IN TAPE**


\*All dimensions are nominal

Device	Package Type	Package Drawing	Pins	SPQ	Reel Diameter (mm)	Reel Width W1 (mm)	A0 (mm)	B0 (mm)	K0 (mm)	P1 (mm)	W (mm)	Pin1 Quadrant
SN65LVCP404RGZR	VQFN	RGZ	48	2500	330.0	16.4	7.3	7.3	1.5	12.0	16.0	Q2
SN65LVCP404RGZT	VQFN	RGZ	48	250	180.0	16.4	7.3	7.3	1.5	12.0	16.0	Q2
SN65LVCP404RGZTG4	VQFN	RGZ	48	250	180.0	16.4	7.3	7.3	1.5	12.0	16.0	Q2

**TAPE AND REEL BOX DIMENSIONS**


\*All dimensions are nominal

Device	Package Type	Package Drawing	Pins	SPQ	Length (mm)	Width (mm)	Height (mm)
SN65LVCP404RGZR	VQFN	RGZ	48	2500	356.0	356.0	35.0
SN65LVCP404RGZT	VQFN	RGZ	48	250	213.0	191.0	35.0
SN65LVCP404RGZTG4	VQFN	RGZ	48	250	213.0	191.0	35.0

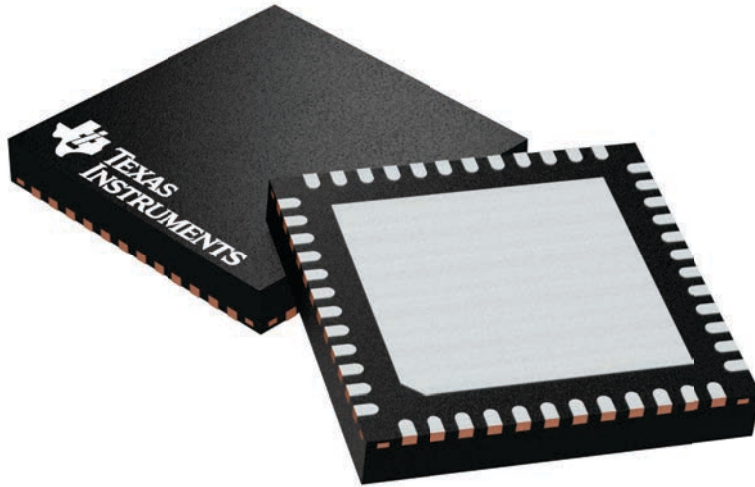
## GENERIC PACKAGE VIEW

**RGZ 48**

**VQFN - 1 mm max height**

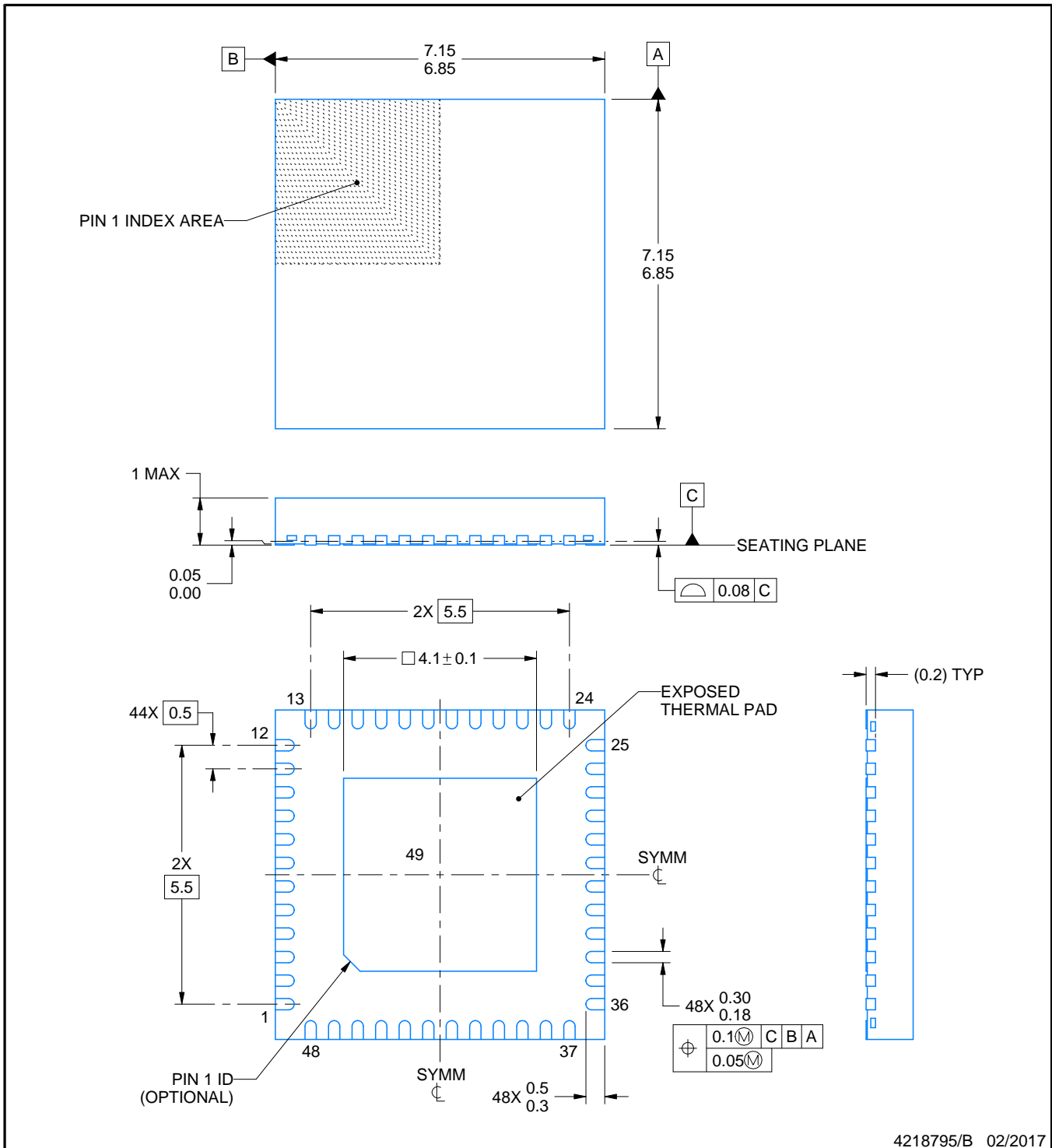
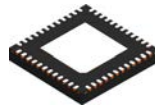
7 x 7, 0.5 mm pitch

PLASTIC QUADFLAT PACK- NO LEAD



Images above are just a representation of the package family, actual package may vary.  
Refer to the product data sheet for package details.

4224671/A



4218795/B 02/2017

NOTES:

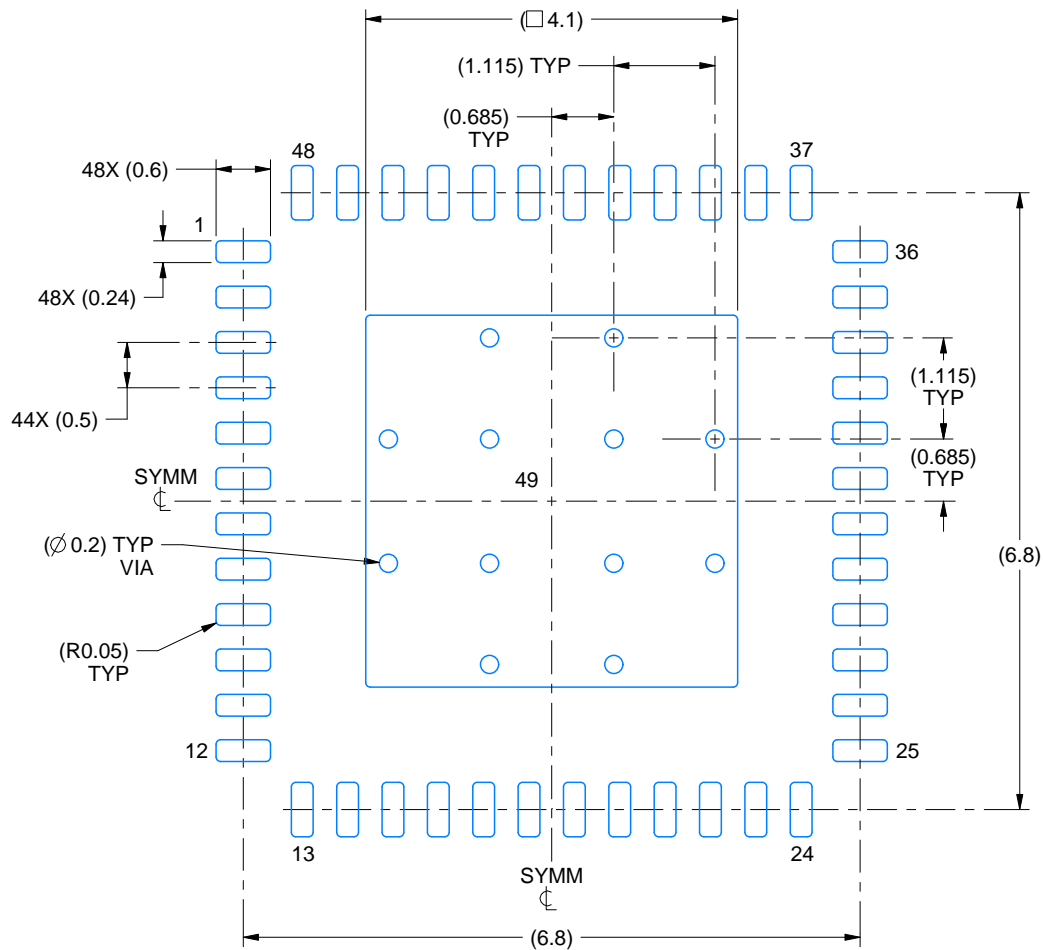
1. All linear dimensions are in millimeters. Any dimensions in parenthesis are for reference only. Dimensioning and tolerancing per ASME Y14.5M.
2. This drawing is subject to change without notice.
3. The package thermal pad must be soldered to the printed circuit board for thermal and mechanical performance.

# EXAMPLE BOARD LAYOUT

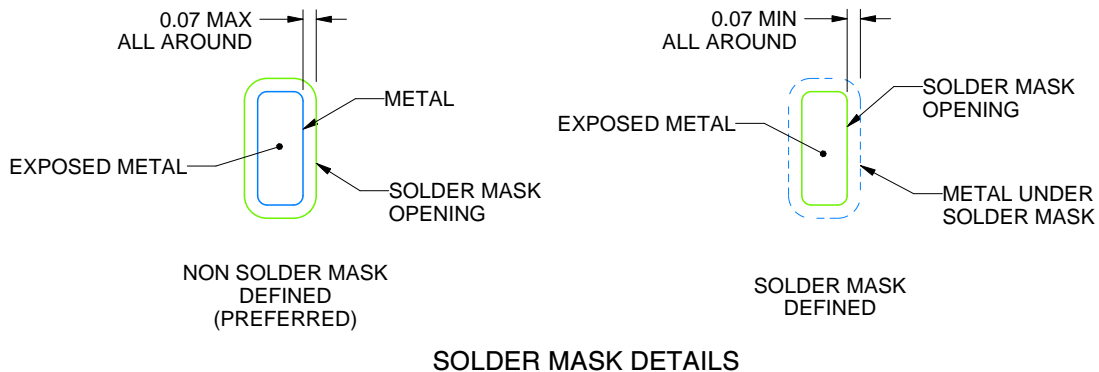
**RGZ0048B**

**VQFN - 1 mm max height**

PLASTIC QUAD FLATPACK - NO LEAD



**LAND PATTERN EXAMPLE**  
EXPOSED METAL SHOWN  
SCALE:12X



**SOLDER MASK DETAILS**

4218795/B 02/2017

NOTES: (continued)

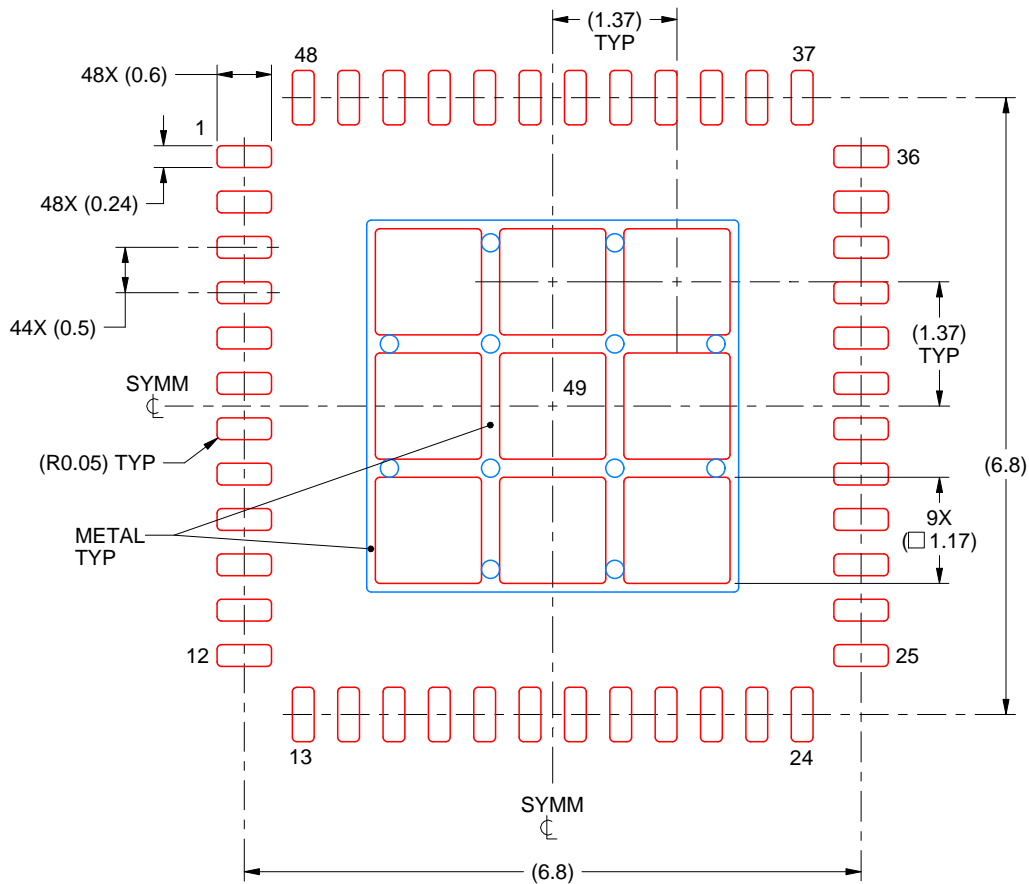
4. This package is designed to be soldered to a thermal pad on the board. For more information, see Texas Instruments literature number SLUA271 ([www.ti.com/lit/slua271](http://www.ti.com/lit/slua271)).
5. Vias are optional depending on application, refer to device data sheet. If any vias are implemented, refer to their locations shown on this view. It is recommended that vias under paste be filled, plugged or tented.

# EXAMPLE STENCIL DESIGN

RGZ0048B

VQFN - 1 mm max height

PLASTIC QUAD FLATPACK - NO LEAD



**SOLDER PASTE EXAMPLE**  
 BASED ON 0.125 mm THICK STENCIL

EXPOSED PAD 49  
 73% PRINTED SOLDER COVERAGE BY AREA UNDER PACKAGE  
 SCALE:12X

4218795/B 02/2017

NOTES: (continued)

- 6. Laser cutting apertures with trapezoidal walls and rounded corners may offer better paste release. IPC-7525 may have alternate design recommendations.

## IMPORTANT NOTICE AND DISCLAIMER

TI PROVIDES TECHNICAL AND RELIABILITY DATA (INCLUDING DATA SHEETS), DESIGN RESOURCES (INCLUDING REFERENCE DESIGNS), APPLICATION OR OTHER DESIGN ADVICE, WEB TOOLS, SAFETY INFORMATION, AND OTHER RESOURCES "AS IS" AND WITH ALL FAULTS, AND DISCLAIMS ALL WARRANTIES, EXPRESS AND IMPLIED, INCLUDING WITHOUT LIMITATION ANY IMPLIED WARRANTIES OF MERCHANTABILITY, FITNESS FOR A PARTICULAR PURPOSE OR NON-INFRINGEMENT OF THIRD PARTY INTELLECTUAL PROPERTY RIGHTS.

These resources are intended for skilled developers designing with TI products. You are solely responsible for (1) selecting the appropriate TI products for your application, (2) designing, validating and testing your application, and (3) ensuring your application meets applicable standards, and any other safety, security, regulatory or other requirements.

These resources are subject to change without notice. TI grants you permission to use these resources only for development of an application that uses the TI products described in the resource. Other reproduction and display of these resources is prohibited. No license is granted to any other TI intellectual property right or to any third party intellectual property right. TI disclaims responsibility for, and you will fully indemnify TI and its representatives against, any claims, damages, costs, losses, and liabilities arising out of your use of these resources.

TI's products are provided subject to [TI's Terms of Sale](#) or other applicable terms available either on [ti.com](https://www.ti.com) or provided in conjunction with such TI products. TI's provision of these resources does not expand or otherwise alter TI's applicable warranties or warranty disclaimers for TI products.

TI objects to and rejects any additional or different terms you may have proposed.

Mailing Address: Texas Instruments, Post Office Box 655303, Dallas, Texas 75265

Copyright © 2025, Texas Instruments Incorporated