

# SN54LS138, SN54S138, SN74LS138, SN74S138A 3-LINE TO 8-LINE DECODERS/DEMULTIPLEXERS

SDLS014

DECEMBER 1972—REVISED MARCH 1988

- Designed Specifically for High-Speed: Memory Decoders  
Data Transmission Systems
- 3 Enable Inputs to Simplify Cascading and/or Data Reception
- Schottky-Clamped for High Performance

## description

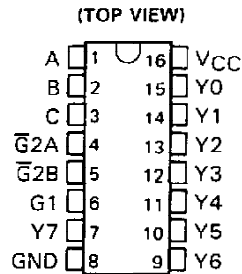
These Schottky-clamped TTL MSI circuits are designed to be used in high-performance memory decoding or data-routing applications requiring very short propagation delay times. In high-performance memory systems, these decoders can be used to minimize the effects of system decoding. When employed with high-speed memories utilizing a fast enable circuit, the delay times of these decoders and the enable time of the memory are usually less than the typical access time of the memory. This means that the effective system delay introduced by the Schottky-clamped system decoder is negligible.

The 'LS138, SN54S138, and SN74S138A decode one of eight lines dependent on the conditions at the three binary select inputs and the three enable inputs. Two active-low and one active-high enable inputs reduce the need for external gates or inverters when expanding. A 24-line decoder can be implemented without external inverters and a 32-line decoder requires only one inverter. An enable input can be used as a data input for demultiplexing applications.

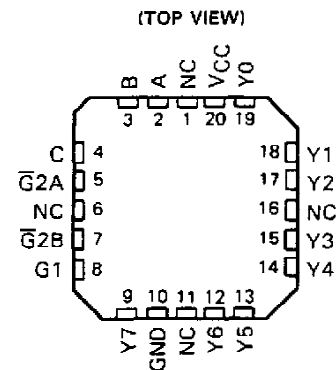
All of these decoder/demultiplexers feature fully buffered inputs, each of which represents only one normalized load to its driving circuit. All inputs are clamped with high-performance Schottky diodes to suppress line-ringing and to simplify system design.

The SN54LS138 and SN54S138 are characterized for operation over the full military temperature range of  $-55^{\circ}\text{C}$  to  $125^{\circ}\text{C}$ . The SN74LS138 and SN74S138A are characterized for operation from  $0^{\circ}\text{C}$  to  $70^{\circ}\text{C}$ .

SN54LS138, SN54S138 . . . J OR W PACKAGE  
SN74LS138, SN74S138A . . . D OR N PACKAGE

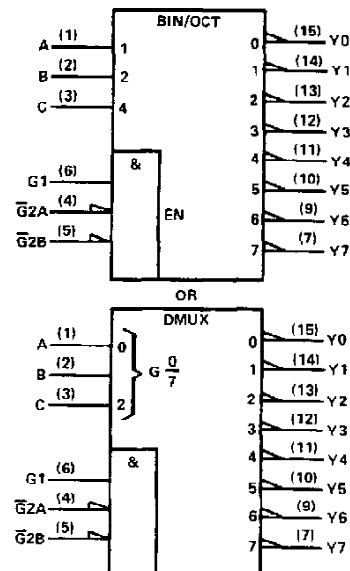


SN54LS138, SN54S138 . . . FK PACKAGE



NC—No internal connection

## logic symbols†



†These symbols are in accordance with ANSI/IEEE Std 91-1984 and IEC Publication 617-12.

Pin numbers shown are for D, J, N, and W packages.

PRODUCTION DATA documents contain information current as of publication date. Products conform to specifications per the terms of Texas Instruments standard warranty. Production processing does not necessarily include testing of all parameters.

TEXAS  
INSTRUMENTS

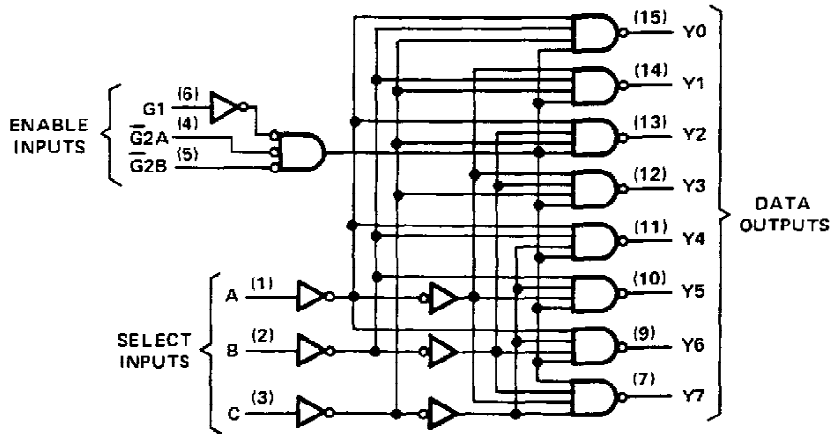
POST OFFICE BOX 655012 • DALLAS, TEXAS 75265

Copyright © 1972, Texas Instruments Incorporated

# SN54LS138, SN54S138, SN74LS138, SN74S138A 3-LINE-TO 8-LINE DECODERS/DEMULTIPLEXERS

logic diagram and function table

'LS138, SN54S138, SN74S138A



Pin numbers shown are for D, J, N, and W packages.

'LS138, SN54138, SN74S138A  
FUNCTION TABLE

| INPUTS |     |        |   |   | OUTPUTS |    |    |    |    |    |    |    |
|--------|-----|--------|---|---|---------|----|----|----|----|----|----|----|
| ENABLE |     | SELECT |   |   | Y0      | Y1 | Y2 | Y3 | Y4 | Y5 | Y6 | Y7 |
| G1     | G2* | C      | B | A |         |    |    |    |    |    |    |    |
| X      | H   | X      | X | X | H       | H  | H  | H  | H  | H  | H  | H  |
| L      | X   | X      | X | X | H       | H  | H  | H  | H  | H  | H  | H  |
| H      | L   | L      | L | L | L       | H  | H  | H  | H  | H  | H  | H  |
| H      | L   | L      | L | H | H       | L  | H  | H  | H  | H  | H  | H  |
| H      | L   | L      | H | L | H       | H  | L  | H  | H  | H  | H  | H  |
| H      | L   | L      | H | H | H       | H  | H  | L  | H  | H  | H  | H  |
| H      | L   | H      | L | L | H       | H  | H  | H  | L  | H  | H  | H  |
| H      | L   | H      | L | H | H       | H  | H  | H  | H  | L  | H  | H  |
| H      | L   | H      | H | L | H       | H  | H  | H  | H  | H  | L  | H  |
| H      | L   | H      | H | H | H       | H  | H  | H  | H  | H  | H  | L  |

\* $\bar{G}2 = \bar{G}2A + \bar{G}2B$

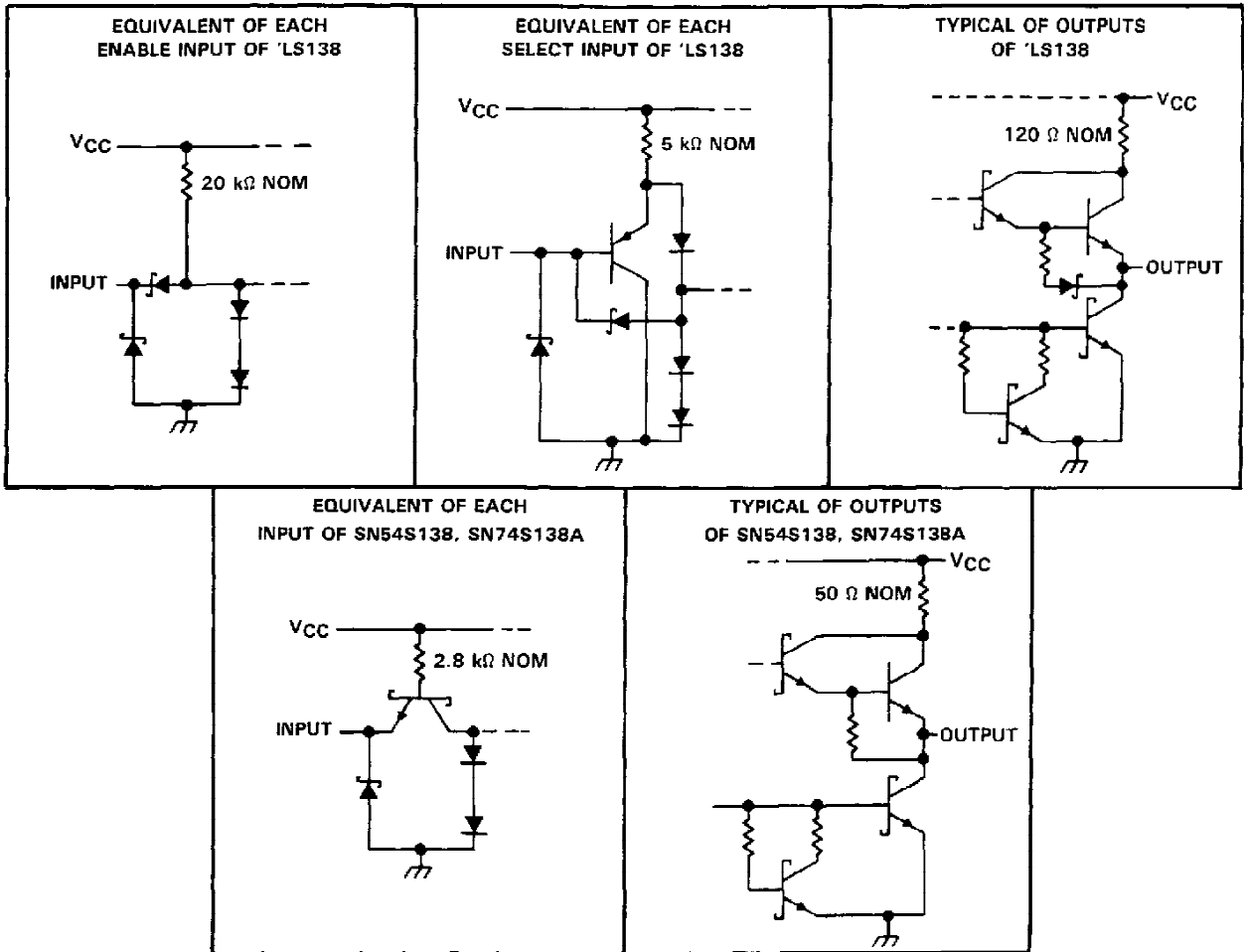
H = high level, L = low level, X = irrelevant

TEXAS  
INSTRUMENTS

POST OFFICE BOX 655012 • DALLAS, TEXAS 75265

# SN54LS138, SN54S138, SN74LS138, SN74S138A 3-LINE TO 8-LINE DECODERS/DEMULTIPLEXERS

## schematics of inputs and outputs



**absolute maximum ratings over operating free-air temperature range (unless otherwise noted)**

|   |                |
|---|----------------|
| Supply voltage, $V_{CC}$ (see Note 1) .....                     | 7 V            |
| Input voltage .....   | 7 V            |
| Operating free-air temperature range: SN54LS138, SN54S138 ..... | -55°C to 125°C |
| SN74LS138, SN74S138A .....                                      | 0°C to 70°C    |
| Storage temperature range .....                                 | -65°C to 150°C |

NOTE 1: Voltage values are with respect to network ground terminal.

# SN54LS138, SN74LS138

## 3-LINE TO 8-LINE DECODERS/DEMULTIPLEXERS

### recommended operating conditions

|                 |                                | SN54LS138 |     |      | SN74LS138 |     |      | UNIT |
|-----------------|--------------------------------|-----------|-----|------|-----------|-----|------|------|
|                 |                                | MIN       | NOM | MAX  | MIN       | NOM | MAX  |      |
| V <sub>CC</sub> | Supply voltage                 | 4.5       | 5   | 5.5  | 4.75      | 5   | 5.25 | V    |
| V <sub>IH</sub> | High-level input voltage       | 2         |     |      | 2         |     |      | V    |
| V <sub>IL</sub> | Low-level input voltage        |           |     | 0.7  |           |     | 0.8  | V    |
| I <sub>OH</sub> | High-level output current      |           |     | -0.4 |           |     | -0.4 | mA   |
| I <sub>OL</sub> | Low-level output current       |           |     | 4    |           |     | 8    | mA   |
| T <sub>A</sub>  | Operating free-air temperature | -55       |     | 125  | 0         |     | 70   | °C   |

### electrical characteristics over recommended operating free-air temperature range (unless otherwise noted)

| PARAMETER                    | TEST CONDITIONS <sup>†</sup>   | SN54LS138              |                  |      | SN74LS138 |                  |      | UNIT |
|------------------------------|--|------------------------|------------------|------|-----------|------------------|------|------|
|                              |  | MIN                    | TYP <sup>‡</sup> | MAX  | MIN       | TYP <sup>‡</sup> | MAX  |      |
| V <sub>IK</sub>              | V <sub>CC</sub> = MIN, I <sub>I</sub> = -18 mA   |                        |                  | -1.5 |           |                  | -1.5 | V    |
| V <sub>OH</sub>              | V <sub>CC</sub> = MIN, V <sub>IH</sub> = 2 V, V <sub>IL</sub> = MAX, I <sub>OH</sub> = -0.4 mA | 2.5                    | 3.4              |      | 2.7       | 3.4              |      | V    |
| V <sub>OL</sub>              | V <sub>CC</sub> = MIN, V <sub>IH</sub> = 2 V, V <sub>IL</sub> = MAX                            | I <sub>OL</sub> = 4 mA |                  | 0.25 | 0.4       | 0.25             | 0.4  | V    |
|                              |  | I <sub>OL</sub> = 8 mA |                  |      |           | 0.35             | 0.5  |      |
| I <sub>I</sub>               | V <sub>CC</sub> = MAX, V <sub>I</sub> = 7 V  |                        |                  | 0.1  |           |                  | 0.1  | mA   |
| I <sub>IH</sub>              | V <sub>CC</sub> = MAX, V <sub>I</sub> = 2.7 V  |                        |                  | 20   |           |                  | 20   | μA   |
| I <sub>IL</sub>              | V <sub>CC</sub> = MAX, V <sub>I</sub> = 0.4 V  | Enable                 |                  | -0.4 |           | -0.4             |      | mA   |
|                              |  | A, B, C                |                  | -0.2 |           | -0.2             |      |      |
| I <sub>OS</sub> <sup>§</sup> | V <sub>CC</sub> = MAX  | -20                    |                  | 100  | -20       |                  | 100  | mA   |
| I <sub>CC</sub>              | V <sub>CC</sub> = MAX, Outputs enabled and open  |                        | 6.3              | 10   |           | 6.3              | 10   | mA   |

<sup>†</sup> For conditions shown as MIN or MAX, use the appropriate value specified under recommended operating conditions.

<sup>‡</sup> All typical values are at V<sub>CC</sub> = 5 V, T<sub>A</sub> = 25°C.

<sup>§</sup> Not more than one output should be shorted at a time, and duration of the short-circuit test should not exceed one second.

### switching characteristics, V<sub>CC</sub> = 5 V, T<sub>A</sub> = 25°C

| PARAMETER <sup>†</sup> | FROM (INPUT)  | TO (OUTPUT) | LEVELS OF DELAY | TEST CONDITIONS   | SN54LS138<br>SN74LS138 |     |     | UNIT |
|------------------------|---------------|-------------|-----------------|---|------------------------|-----|-----|------|
|                        |               |             |                 |   | MIN                    | TYP | MAX |      |
| t <sub>PLH</sub>       | Binary Select | Any         | 2               | R <sub>L</sub> = 2 kΩ, C <sub>L</sub> = 15 pF, See Note 2 |                        | 11  | 20  | ns   |
| t <sub>PHL</sub>       |               |             |                 |   |                        | 18  | 41  | ns   |
| t <sub>PLH</sub>       |               |             | 3               |   |                        | 21  | 27  | ns   |
| t <sub>PHL</sub>       |               |             |                 |   |                        | 20  | 39  | ns   |
| t <sub>PLH</sub>       | Enable        | Any         | 2               |   |                        | 12  | 18  | ns   |
| t <sub>PHL</sub>       |               |             |                 |   |                        | 20  | 32  | ns   |
| t <sub>PLH</sub>       |               |             | 3               |   |                        | 14  | 26  | ns   |
| t <sub>PHL</sub>       |               |             |                 |   |                        | 13  | 38  | ns   |

<sup>†</sup>t<sub>PLH</sub> = propagation delay time, low-to-high-level output

t<sub>PHL</sub> = propagation delay time, high-to-low-level output

NOTE 2: Load circuits and voltage waveforms are shown in Section 1.

TEXAS  
INSTRUMENTS

POST OFFICE BOX 655012 • DALLAS, TEXAS 75265

## SN54S138, SN74S138A 3-LINE TO 8-LINE DECODERS/DEMULTIPLEXERS

### absolute maximum ratings over operating free-air temperature range (unless otherwise noted)

|  |                |
|--|----------------|
| Supply voltage, $V_{CC}$ (see Note 1) .....          | 7 V            |
| Input voltage .....                                  | 5.5 V          |
| Operating free-air temperature range: SN54S138 ..... | -55°C to 125°C |
| SN74S138A .....                                      | 0°C to 70°C    |
| Storage temperature range .....                      | -65°C to 150°C |

NOTE 1: Voltage values are with respect to network ground terminal.

### recommended operating conditions

|          |                                | SN54S138 |     |     | SN74S138A |     |      | UNIT |    |    |
|----------|--------------------------------|----------|-----|-----|-----------|-----|------|------|----|----|
|          |                                | MIN      | NOM | MAX | MIN       | NOM | MAX  |      |    |    |
| $V_{CC}$ | Supply voltage                 | 4.5      | 5   | 5.5 | 4.75      | 5   | 5.25 | V    |    |    |
| $V_{IH}$ | High-level input voltage       | 2        |     |     | 2         |     |      | V    |    |    |
| $V_{IL}$ | Low-level input voltage        | 0.8      |     |     | 0.8       |     |      | V    |    |    |
| $I_{OH}$ | High-level output current      | -1       |     |     | -1        |     |      | mA   |    |    |
| $I_{OL}$ | Low-level output current       | 20       |     |     | 20        |     |      | mA   |    |    |
| $T_A$    | Operating free-air temperature | -55      |     |     | 125       |     |      | 0    | 70 | °C |

### electrical characteristics over recommended operating free-air temperature range (unless otherwise noted)

| PARAMETER     | TEST CONDITIONS <sup>†</sup>  | SN54S138<br>SN74S138A |                  |     | UNIT |    |
|---------------|---|-----------------------|------------------|-----|------|----|
|               |   | MIN                   | TYP <sup>‡</sup> | MAX |      |    |
| $V_{IK}$      | $V_{CC} = \text{MIN.}$ , $I_I = -18 \text{ mA}$   | -1.2                  |                  |     | V    |    |
| $V_{OH}$      | $V_{CC} = \text{MIN.}$ , $V_{IH} = 2 \text{ V.}$ , $V_{IL} = 0.8 \text{ V.}$ , $I_{OH} = -1 \text{ mA}$ | SN54S'                | 2.5              | 3.4 | V    |    |
|               |   | SN74S'                | 2.7              | 3.4 |      |    |
| $V_{OL}$      | $V_{CC} = \text{MIN.}$ , $V_{IH} = 2 \text{ V.}$ , $V_{IL} = 0.8 \text{ V.}$ , $I_{OL} = 20 \text{ mA}$ | 0.5                   |                  |     | V    |    |
| $I_I$         | $V_{CC} = \text{MAX.}$ , $V_I = 5.5 \text{ V}$  | 1                     |                  |     | mA   |    |
| $I_{IH}$      | $V_{CC} = \text{MAX.}$ , $V_I = 2.7 \text{ V}$  | 50                    |                  |     | μA   |    |
| $I_{IL}$      | $V_{CC} = \text{MAX.}$ , $V_I = 0.5 \text{ V}$  | -2                    |                  |     | mA   |    |
| $I_{OS}^{\S}$ | $V_{CC} = \text{MAX}$   | -40                   | -100             |     | mA   |    |
| $I_{CC}$      | $V_{CC} = \text{MAX.}$ , Outputs enabled and open   | 49                    |                  |     | 74   | mA |

<sup>†</sup> For conditions shown as MIN or MAX, use the appropriate value specified under recommended operating conditions.

<sup>‡</sup> All typical values are at  $V_{CC} = 5 \text{ V}$ ,  $T_A = 25^\circ\text{C}$ .

<sup>§</sup> Not more than one output should be shorted at a time, and duration of the short circuit test should not exceed one second.



**SN54S138, SN74S138A**  
**3-LINE TO 8-LINE DECODERS/DEMULTIPLEXERS**

switching characteristics,  $V_{CC} = 5\text{ V}$ ,  $T_A = 25^\circ\text{C}$

| PARAMETER†       | FROM<br>(INPUT)  | TO<br>(OUTPUT) | LEVELS<br>OF DELAY | TEST CONDITIONS  | SN54S138<br>SN74S138A |      |     | UNIT |
|------------------|------------------|----------------|--------------------|--|-----------------------|------|-----|------|
|                  |                  |                |                    |  | MIN                   | TYP  | MAX |      |
| t <sub>PLH</sub> | Binary<br>Select | Any            | 2                  | R <sub>L</sub> = 280 Ω,    C <sub>L</sub> = 15 pF.<br>See Note 2 | 4.5                   | 7    | ns  |      |
| t <sub>PHL</sub> |                  |                |                    |  | 7                     | 10.5 | ns  |      |
| t <sub>PLH</sub> |                  |                | 3                  |  | 7.5                   | 12   | ns  |      |
| t <sub>PHL</sub> |                  |                |                    |  | 8                     | 12   | ns  |      |
| t <sub>PLH</sub> | Enable           | Any            | 2                  |  | 5                     | 9    | ns  |      |
| t <sub>PHL</sub> |                  |                |                    |  | 7                     | 11   | ns  |      |
| t <sub>PLH</sub> |                  |                | 3                  |  | 7                     | 11   | ns  |      |
| t <sub>PHL</sub> |                  |                |                    |  | 7                     | 11   | ns  |      |

†t<sub>PLH</sub> = propagation delay time, low-to-high-level output

t<sub>PHL</sub> = propagation delay time, high-to-low-level output

NOTE 2: Load circuits and voltage waveforms are shown in Section 1.



**PACKAGING INFORMATION**

| Orderable part number            | Status<br>(1) | Material type<br>(2) | Package   Pins | Package qty   Carrier | RoHS<br>(3) | Lead finish/<br>Ball material<br>(4) | MSL rating/<br>Peak reflow<br>(5) | Op temp (°C) | Part marking<br>(6)           |
|----------------------------------|---------------|----------------------|----------------|-----------------------|-------------|--------------------------------------|-----------------------------------|--------------|-------------------------------|
| <a href="#">76005012A</a>        | Active        | Production           | LCCC (FK)   20 | 55   TUBE             | No          | SNPB                                 | N/A for Pkg Type                  | -55 to 125   | 76005012A<br>SNJ54LS<br>138FK |
| <a href="#">7600501EA</a>        | Active        | Production           | CDIP (J)   16  | 25   TUBE             | No          | SNPB                                 | N/A for Pkg Type                  | -55 to 125   | 7600501EA<br>SNJ54LS138J      |
| <a href="#">7600501EA</a>        | Active        | Production           | CDIP (J)   16  | 25   TUBE             | No          | SNPB                                 | N/A for Pkg Type                  | -55 to 125   | 7600501EA<br>SNJ54LS138J      |
| <a href="#">7600501FA</a>        | Active        | Production           | CFP (W)   16   | 25   TUBE             | No          | SNPB                                 | N/A for Pkg Type                  | -55 to 125   | 7600501FA<br>SNJ54LS138W      |
| <a href="#">7600501FA</a>        | Active        | Production           | CFP (W)   16   | 25   TUBE             | No          | SNPB                                 | N/A for Pkg Type                  | -55 to 125   | 7600501FA<br>SNJ54LS138W      |
| <a href="#">7604101EA</a>        | Active        | Production           | CDIP (J)   16  | 25   TUBE             | No          | SNPB                                 | N/A for Pkg Type                  | -55 to 125   | 7604101EA<br>SNJ54S138J       |
| <a href="#">7604101EA</a>        | Active        | Production           | CDIP (J)   16  | 25   TUBE             | No          | SNPB                                 | N/A for Pkg Type                  | -55 to 125   | 7604101EA<br>SNJ54S138J       |
| <a href="#">7604101FA</a>        | Active        | Production           | CFP (W)   16   | 25   TUBE             | No          | SNPB                                 | N/A for Pkg Type                  | -55 to 125   | 7604101FA<br>SNJ54S138W       |
| <a href="#">7604101FA</a>        | Active        | Production           | CFP (W)   16   | 25   TUBE             | No          | SNPB                                 | N/A for Pkg Type                  | -55 to 125   | 7604101FA<br>SNJ54S138W       |
| <a href="#">JM38510/07701BEA</a> | Active        | Production           | CDIP (J)   16  | 25   TUBE             | No          | SNPB                                 | N/A for Pkg Type                  | -55 to 125   | JM38510/<br>07701BEA          |
| <a href="#">JM38510/07701BEA</a> | Active        | Production           | CDIP (J)   16  | 25   TUBE             | No          | SNPB                                 | N/A for Pkg Type                  | -55 to 125   | JM38510/<br>07701BEA          |
| JM38510/07701BEA.A               | Active        | Production           | CDIP (J)   16  | 25   TUBE             | No          | SNPB                                 | N/A for Pkg Type                  | -55 to 125   | JM38510/<br>07701BEA          |
| JM38510/07701BEA.A               | Active        | Production           | CDIP (J)   16  | 25   TUBE             | No          | SNPB                                 | N/A for Pkg Type                  | -55 to 125   | JM38510/<br>07701BEA          |
| <a href="#">JM38510/07701BFA</a> | Active        | Production           | CFP (W)   16   | 25   TUBE             | No          | SNPB                                 | N/A for Pkg Type                  | -55 to 125   | JM38510/<br>07701BFA          |
| <a href="#">JM38510/07701BFA</a> | Active        | Production           | CFP (W)   16   | 25   TUBE             | No          | SNPB                                 | N/A for Pkg Type                  | -55 to 125   | JM38510/<br>07701BFA          |
| JM38510/07701BFA.A               | Active        | Production           | CFP (W)   16   | 25   TUBE             | No          | SNPB                                 | N/A for Pkg Type                  | -55 to 125   | JM38510/<br>07701BFA          |

| Orderable part number            | Status<br>(1) | Material type<br>(2) | Package   Pins | Package qty   Carrier | RoHS<br>(3) | Lead finish/<br>Ball material<br>(4) | MSL rating/<br>Peak reflow<br>(5) | Op temp (°C) | Part marking<br>(6)  |
|----------------------------------|---------------|----------------------|----------------|-----------------------|-------------|--------------------------------------|-----------------------------------|--------------|----------------------|
| JM38510/07701BFA.A               | Active        | Production           | CFP (W)   16   | 25   TUBE             | No          | SNPB                                 | N/A for Pkg Type                  | -55 to 125   | JM38510/<br>07701BFA |
| <a href="#">JM38510/30701B2A</a> | Active        | Production           | LCCC (FK)   20 | 55   TUBE             | No          | SNPB                                 | N/A for Pkg Type                  | -55 to 125   | JM38510/<br>30701B2A |
| <a href="#">JM38510/30701B2A</a> | Active        | Production           | LCCC (FK)   20 | 55   TUBE             | No          | SNPB                                 | N/A for Pkg Type                  | -55 to 125   | JM38510/<br>30701B2A |
| JM38510/30701B2A.A               | Active        | Production           | LCCC (FK)   20 | 55   TUBE             | No          | SNPB                                 | N/A for Pkg Type                  | -55 to 125   | JM38510/<br>30701B2A |
| JM38510/30701B2A.A               | Active        | Production           | LCCC (FK)   20 | 55   TUBE             | No          | SNPB                                 | N/A for Pkg Type                  | -55 to 125   | JM38510/<br>30701B2A |
| <a href="#">JM38510/30701BEA</a> | Active        | Production           | CDIP (J)   16  | 25   TUBE             | No          | SNPB                                 | N/A for Pkg Type                  | -55 to 125   | JM38510/<br>30701BEA |
| <a href="#">JM38510/30701BEA</a> | Active        | Production           | CDIP (J)   16  | 25   TUBE             | No          | SNPB                                 | N/A for Pkg Type                  | -55 to 125   | JM38510/<br>30701BEA |
| JM38510/30701BEA.A               | Active        | Production           | CDIP (J)   16  | 25   TUBE             | No          | SNPB                                 | N/A for Pkg Type                  | -55 to 125   | JM38510/<br>30701BEA |
| JM38510/30701BEA.A               | Active        | Production           | CDIP (J)   16  | 25   TUBE             | No          | SNPB                                 | N/A for Pkg Type                  | -55 to 125   | JM38510/<br>30701BEA |
| <a href="#">JM38510/30701BFA</a> | Active        | Production           | CFP (W)   16   | 25   TUBE             | No          | SNPB                                 | N/A for Pkg Type                  | -55 to 125   | JM38510/<br>30701BFA |
| <a href="#">JM38510/30701BFA</a> | Active        | Production           | CFP (W)   16   | 25   TUBE             | No          | SNPB                                 | N/A for Pkg Type                  | -55 to 125   | JM38510/<br>30701BFA |
| JM38510/30701BFA.A               | Active        | Production           | CFP (W)   16   | 25   TUBE             | No          | SNPB                                 | N/A for Pkg Type                  | -55 to 125   | JM38510/<br>30701BFA |
| JM38510/30701BFA.A               | Active        | Production           | CFP (W)   16   | 25   TUBE             | No          | SNPB                                 | N/A for Pkg Type                  | -55 to 125   | JM38510/<br>30701BFA |
| JM38510/30701SEA                 | Active        | Production           | CDIP (J)   16  | 25   TUBE             | No          | SNPB                                 | N/A for Pkg Type                  | -55 to 125   | JM38510/<br>30701SEA |
| JM38510/30701SEA                 | Active        | Production           | CDIP (J)   16  | 25   TUBE             | No          | SNPB                                 | N/A for Pkg Type                  | -55 to 125   | JM38510/<br>30701SEA |
| JM38510/30701SEA.A               | Active        | Production           | CDIP (J)   16  | 25   TUBE             | No          | SNPB                                 | N/A for Pkg Type                  | -55 to 125   | JM38510/<br>30701SEA |
| JM38510/30701SEA.A               | Active        | Production           | CDIP (J)   16  | 25   TUBE             | No          | SNPB                                 | N/A for Pkg Type                  | -55 to 125   | JM38510/<br>30701SEA |

| Orderable part number            | Status<br>(1) | Material type<br>(2) | Package   Pins | Package qty   Carrier | RoHS<br>(3) | Lead finish/<br>Ball material<br>(4) | MSL rating/<br>Peak reflow<br>(5) | Op temp (°C) | Part marking<br>(6)  |
|----------------------------------|---------------|----------------------|----------------|-----------------------|-------------|--------------------------------------|-----------------------------------|--------------|----------------------|
| <a href="#">JM38510/30701SFA</a> | Active        | Production           | CFP (W)   16   | 25   TUBE             | No          | SNPB                                 | N/A for Pkg Type                  | -55 to 125   | JM38510/<br>30701SFA |
| <a href="#">JM38510/30701SFA</a> | Active        | Production           | CFP (W)   16   | 25   TUBE             | No          | SNPB                                 | N/A for Pkg Type                  | -55 to 125   | JM38510/<br>30701SFA |
| JM38510/30701SFA.A               | Active        | Production           | CFP (W)   16   | 25   TUBE             | No          | SNPB                                 | N/A for Pkg Type                  | -55 to 125   | JM38510/<br>30701SFA |
| JM38510/30701SFA.A               | Active        | Production           | CFP (W)   16   | 25   TUBE             | No          | SNPB                                 | N/A for Pkg Type                  | -55 to 125   | JM38510/<br>30701SFA |
| <a href="#">M38510/07701BEA</a>  | Active        | Production           | CDIP (J)   16  | 25   TUBE             | No          | SNPB                                 | N/A for Pkg Type                  | -55 to 125   | JM38510/<br>07701BEA |
| <a href="#">M38510/07701BEA</a>  | Active        | Production           | CDIP (J)   16  | 25   TUBE             | No          | SNPB                                 | N/A for Pkg Type                  | -55 to 125   | JM38510/<br>07701BEA |
| <a href="#">M38510/07701BFA</a>  | Active        | Production           | CFP (W)   16   | 25   TUBE             | No          | SNPB                                 | N/A for Pkg Type                  | -55 to 125   | JM38510/<br>07701BFA |
| <a href="#">M38510/07701BFA</a>  | Active        | Production           | CFP (W)   16   | 25   TUBE             | No          | SNPB                                 | N/A for Pkg Type                  | -55 to 125   | JM38510/<br>07701BFA |
| <a href="#">M38510/30701B2A</a>  | Active        | Production           | LCCC (FK)   20 | 55   TUBE             | No          | SNPB                                 | N/A for Pkg Type                  | -55 to 125   | JM38510/<br>30701B2A |
| <a href="#">M38510/30701B2A</a>  | Active        | Production           | LCCC (FK)   20 | 55   TUBE             | No          | SNPB                                 | N/A for Pkg Type                  | -55 to 125   | JM38510/<br>30701B2A |
| <a href="#">M38510/30701BEA</a>  | Active        | Production           | CDIP (J)   16  | 25   TUBE             | No          | SNPB                                 | N/A for Pkg Type                  | -55 to 125   | JM38510/<br>30701BEA |
| <a href="#">M38510/30701BEA</a>  | Active        | Production           | CDIP (J)   16  | 25   TUBE             | No          | SNPB                                 | N/A for Pkg Type                  | -55 to 125   | JM38510/<br>30701BEA |
| <a href="#">M38510/30701BFA</a>  | Active        | Production           | CFP (W)   16   | 25   TUBE             | No          | SNPB                                 | N/A for Pkg Type                  | -55 to 125   | JM38510/<br>30701BFA |
| <a href="#">M38510/30701BFA</a>  | Active        | Production           | CFP (W)   16   | 25   TUBE             | No          | SNPB                                 | N/A for Pkg Type                  | -55 to 125   | JM38510/<br>30701BFA |
| <a href="#">M38510/30701SEA</a>  | Active        | Production           | CDIP (J)   16  | 25   TUBE             | No          | SNPB                                 | N/A for Pkg Type                  | -55 to 125   | JM38510/<br>30701SEA |
| <a href="#">M38510/30701SEA</a>  | Active        | Production           | CDIP (J)   16  | 25   TUBE             | No          | SNPB                                 | N/A for Pkg Type                  | -55 to 125   | JM38510/<br>30701SEA |
| <a href="#">M38510/30701SFA</a>  | Active        | Production           | CFP (W)   16   | 25   TUBE             | No          | SNPB                                 | N/A for Pkg Type                  | -55 to 125   | JM38510/<br>30701SFA |

| Orderable part number | Status<br>(1) | Material type<br>(2) | Package   Pins | Package qty   Carrier | RoHS<br>(3) | Lead finish/<br>Ball material<br>(4) | MSL rating/<br>Peak reflow<br>(5) | Op temp (°C) | Part marking<br>(6)  |
|-----------------------|---------------|----------------------|----------------|-----------------------|-------------|--------------------------------------|-----------------------------------|--------------|----------------------|
| M38510/30701SFA       | Active        | Production           | CFP (W)   16   | 25   TUBE             | No          | SNPB                                 | N/A for Pkg Type                  | -55 to 125   | JM38510/<br>30701SFA |
| SN54LS138J            | Active        | Production           | CDIP (J)   16  | 25   TUBE             | No          | SNPB                                 | N/A for Pkg Type                  | -55 to 125   | SN54LS138J           |
| SN54LS138J            | Active        | Production           | CDIP (J)   16  | 25   TUBE             | No          | SNPB                                 | N/A for Pkg Type                  | -55 to 125   | SN54LS138J           |
| SN54LS138J.A          | Active        | Production           | CDIP (J)   16  | 25   TUBE             | No          | SNPB                                 | N/A for Pkg Type                  | -55 to 125   | SN54LS138J           |
| SN54LS138J.A          | Active        | Production           | CDIP (J)   16  | 25   TUBE             | No          | SNPB                                 | N/A for Pkg Type                  | -55 to 125   | SN54LS138J           |
| SN54S138J             | Active        | Production           | CDIP (J)   16  | 25   TUBE             | No          | SNPB                                 | N/A for Pkg Type                  | -55 to 125   | SN54S138J            |
| SN54S138J             | Active        | Production           | CDIP (J)   16  | 25   TUBE             | No          | SNPB                                 | N/A for Pkg Type                  | -55 to 125   | SN54S138J            |
| SN54S138J.A           | Active        | Production           | CDIP (J)   16  | 25   TUBE             | No          | SNPB                                 | N/A for Pkg Type                  | -55 to 125   | SN54S138J            |
| SN54S138J.A           | Active        | Production           | CDIP (J)   16  | 25   TUBE             | No          | SNPB                                 | N/A for Pkg Type                  | -55 to 125   | SN54S138J            |
| SN74LS138D            | Active        | Production           | SOIC (D)   16  | 40   TUBE             | Yes         | NIPDAU                               | Level-1-260C-UNLIM                | 0 to 70      | LS138                |
| SN74LS138D            | Active        | Production           | SOIC (D)   16  | 40   TUBE             | Yes         | NIPDAU                               | Level-1-260C-UNLIM                | 0 to 70      | LS138                |
| SN74LS138D.A          | Active        | Production           | SOIC (D)   16  | 40   TUBE             | Yes         | NIPDAU                               | Level-1-260C-UNLIM                | 0 to 70      | LS138                |
| SN74LS138D.A          | Active        | Production           | SOIC (D)   16  | 40   TUBE             | Yes         | NIPDAU                               | Level-1-260C-UNLIM                | 0 to 70      | LS138                |
| SN74LS138DG4          | Active        | Production           | SOIC (D)   16  | 40   TUBE             | Yes         | NIPDAU                               | Level-1-260C-UNLIM                | 0 to 70      | LS138                |
| SN74LS138DG4          | Active        | Production           | SOIC (D)   16  | 40   TUBE             | Yes         | NIPDAU                               | Level-1-260C-UNLIM                | 0 to 70      | LS138                |
| SN74LS138DR           | Active        | Production           | SOIC (D)   16  | 2500   LARGE T&R      | Yes         | NIPDAU                               | Level-1-260C-UNLIM                | 0 to 70      | LS138                |
| SN74LS138DR           | Active        | Production           | SOIC (D)   16  | 2500   LARGE T&R      | Yes         | NIPDAU                               | Level-1-260C-UNLIM                | 0 to 70      | LS138                |
| SN74LS138DR.A         | Active        | Production           | SOIC (D)   16  | 2500   LARGE T&R      | Yes         | NIPDAU                               | Level-1-260C-UNLIM                | 0 to 70      | LS138                |
| SN74LS138DR.A         | Active        | Production           | SOIC (D)   16  | 2500   LARGE T&R      | Yes         | NIPDAU                               | Level-1-260C-UNLIM                | 0 to 70      | LS138                |
| SN74LS138N            | Active        | Production           | PDIP (N)   16  | 25   TUBE             | Yes         | NIPDAU                               | N/A for Pkg Type                  | 0 to 70      | SN74LS138N           |
| SN74LS138N            | Active        | Production           | PDIP (N)   16  | 25   TUBE             | Yes         | NIPDAU                               | N/A for Pkg Type                  | 0 to 70      | SN74LS138N           |
| SN74LS138N.A          | Active        | Production           | PDIP (N)   16  | 25   TUBE             | Yes         | NIPDAU                               | N/A for Pkg Type                  | 0 to 70      | SN74LS138N           |
| SN74LS138N.A          | Active        | Production           | PDIP (N)   16  | 25   TUBE             | Yes         | NIPDAU                               | N/A for Pkg Type                  | 0 to 70      | SN74LS138N           |
| SN74LS138NE4          | Active        | Production           | PDIP (N)   16  | 25   TUBE             | Yes         | NIPDAU                               | N/A for Pkg Type                  | 0 to 70      | SN74LS138N           |
| SN74LS138NE4          | Active        | Production           | PDIP (N)   16  | 25   TUBE             | Yes         | NIPDAU                               | N/A for Pkg Type                  | 0 to 70      | SN74LS138N           |
| SN74LS138NSR          | Active        | Production           | SOP (NS)   16  | 2000   LARGE T&R      | Yes         | NIPDAU                               | Level-1-260C-UNLIM                | 0 to 70      | 74LS138              |
| SN74LS138NSR          | Active        | Production           | SOP (NS)   16  | 2000   LARGE T&R      | Yes         | NIPDAU                               | Level-1-260C-UNLIM                | 0 to 70      | 74LS138              |
| SN74LS138NSR.A        | Active        | Production           | SOP (NS)   16  | 2000   LARGE T&R      | Yes         | NIPDAU                               | Level-1-260C-UNLIM                | 0 to 70      | 74LS138              |
| SN74LS138NSR.A        | Active        | Production           | SOP (NS)   16  | 2000   LARGE T&R      | Yes         | NIPDAU                               | Level-1-260C-UNLIM                | 0 to 70      | 74LS138              |
| SN74S138AD            | Active        | Production           | SOIC (D)   16  | 40   TUBE             | Yes         | NIPDAU                               | Level-1-260C-UNLIM                | 0 to 70      | S138A                |

| Orderable part number        | Status<br>(1) | Material type<br>(2) | Package   Pins | Package qty   Carrier | RoHS<br>(3) | Lead finish/<br>Ball material<br>(4) | MSL rating/<br>Peak reflow<br>(5) | Op temp (°C) | Part marking<br>(6)           |
|------------------------------|---------------|----------------------|----------------|-----------------------|-------------|--------------------------------------|-----------------------------------|--------------|-------------------------------|
| SN74S138AD.A                 | Active        | Production           | SOIC (D)   16  | 40   TUBE             | Yes         | NIPDAU                               | Level-1-260C-UNLIM                | 0 to 70      | S138A                         |
| <a href="#">SN74S138AN</a>   | Active        | Production           | PDIP (N)   16  | 25   TUBE             | Yes         | NIPDAU                               | N/A for Pkg Type                  | 0 to 70      | SN74S138AN                    |
| SN74S138AN.A                 | Active        | Production           | PDIP (N)   16  | 25   TUBE             | Yes         | NIPDAU                               | N/A for Pkg Type                  | 0 to 70      | SN74S138AN                    |
| SN74S138ANE4                 | Active        | Production           | PDIP (N)   16  | 25   TUBE             | Yes         | NIPDAU                               | N/A for Pkg Type                  | 0 to 70      | SN74S138AN                    |
| <a href="#">SNJ54LS138FK</a> | Active        | Production           | LCCC (FK)   20 | 55   TUBE             | No          | SNPB                                 | N/A for Pkg Type                  | -55 to 125   | 76005012A<br>SNJ54LS<br>138FK |
| <a href="#">SNJ54LS138FK</a> | Active        | Production           | LCCC (FK)   20 | 55   TUBE             | No          | SNPB                                 | N/A for Pkg Type                  | -55 to 125   | 76005012A<br>SNJ54LS<br>138FK |
| SNJ54LS138FK.A               | Active        | Production           | LCCC (FK)   20 | 55   TUBE             | No          | SNPB                                 | N/A for Pkg Type                  | -55 to 125   | 76005012A<br>SNJ54LS<br>138FK |
| SNJ54LS138FK.A               | Active        | Production           | LCCC (FK)   20 | 55   TUBE             | No          | SNPB                                 | N/A for Pkg Type                  | -55 to 125   | 76005012A<br>SNJ54LS<br>138FK |
| <a href="#">SNJ54LS138J</a>  | Active        | Production           | CDIP (J)   16  | 25   TUBE             | No          | SNPB                                 | N/A for Pkg Type                  | -55 to 125   | 7600501EA<br>SNJ54LS138J      |
| <a href="#">SNJ54LS138J</a>  | Active        | Production           | CDIP (J)   16  | 25   TUBE             | No          | SNPB                                 | N/A for Pkg Type                  | -55 to 125   | 7600501EA<br>SNJ54LS138J      |
| SNJ54LS138J.A                | Active        | Production           | CDIP (J)   16  | 25   TUBE             | No          | SNPB                                 | N/A for Pkg Type                  | -55 to 125   | 7600501EA<br>SNJ54LS138J      |
| SNJ54LS138J.A                | Active        | Production           | CDIP (J)   16  | 25   TUBE             | No          | SNPB                                 | N/A for Pkg Type                  | -55 to 125   | 7600501EA<br>SNJ54LS138J      |
| <a href="#">SNJ54LS138W</a>  | Active        | Production           | CFP (W)   16   | 25   TUBE             | No          | SNPB                                 | N/A for Pkg Type                  | -55 to 125   | 7600501FA<br>SNJ54LS138W      |
| <a href="#">SNJ54LS138W</a>  | Active        | Production           | CFP (W)   16   | 25   TUBE             | No          | SNPB                                 | N/A for Pkg Type                  | -55 to 125   | 7600501FA<br>SNJ54LS138W      |
| SNJ54LS138W.A                | Active        | Production           | CFP (W)   16   | 25   TUBE             | No          | SNPB                                 | N/A for Pkg Type                  | -55 to 125   | 7600501FA<br>SNJ54LS138W      |
| SNJ54LS138W.A                | Active        | Production           | CFP (W)   16   | 25   TUBE             | No          | SNPB                                 | N/A for Pkg Type                  | -55 to 125   | 7600501FA<br>SNJ54LS138W      |
| <a href="#">SNJ54S138J</a>   | Active        | Production           | CDIP (J)   16  | 25   TUBE             | No          | SNPB                                 | N/A for Pkg Type                  | -55 to 125   | 7604101EA<br>SNJ54S138J       |

| Orderable part number      | Status<br>(1) | Material type<br>(2) | Package   Pins | Package qty   Carrier | RoHS<br>(3) | Lead finish/<br>Ball material<br>(4) | MSL rating/<br>Peak reflow<br>(5) | Op temp (°C) | Part marking<br>(6)     |
|----------------------------|---------------|----------------------|----------------|-----------------------|-------------|--------------------------------------|-----------------------------------|--------------|-------------------------|
| <a href="#">SNJ54S138J</a> | Active        | Production           | CDIP (J)   16  | 25   TUBE             | No          | SNPB                                 | N/A for Pkg Type                  | -55 to 125   | 7604101EA<br>SNJ54S138J |
| SNJ54S138J.A               | Active        | Production           | CDIP (J)   16  | 25   TUBE             | No          | SNPB                                 | N/A for Pkg Type                  | -55 to 125   | 7604101EA<br>SNJ54S138J |
| SNJ54S138J.A               | Active        | Production           | CDIP (J)   16  | 25   TUBE             | No          | SNPB                                 | N/A for Pkg Type                  | -55 to 125   | 7604101EA<br>SNJ54S138J |
| <a href="#">SNJ54S138W</a> | Active        | Production           | CFP (W)   16   | 25   TUBE             | No          | SNPB                                 | N/A for Pkg Type                  | -55 to 125   | 7604101FA<br>SNJ54S138W |
| <a href="#">SNJ54S138W</a> | Active        | Production           | CFP (W)   16   | 25   TUBE             | No          | SNPB                                 | N/A for Pkg Type                  | -55 to 125   | 7604101FA<br>SNJ54S138W |
| SNJ54S138W.A               | Active        | Production           | CFP (W)   16   | 25   TUBE             | No          | SNPB                                 | N/A for Pkg Type                  | -55 to 125   | 7604101FA<br>SNJ54S138W |
| SNJ54S138W.A               | Active        | Production           | CFP (W)   16   | 25   TUBE             | No          | SNPB                                 | N/A for Pkg Type                  | -55 to 125   | 7604101FA<br>SNJ54S138W |

(1) **Status:** For more details on status, see our [product life cycle](#).

(2) **Material type:** When designated, preproduction parts are prototypes/experimental devices, and are not yet approved or released for full production. Testing and final process, including without limitation quality assurance, reliability performance testing, and/or process qualification, may not yet be complete, and this item is subject to further changes or possible discontinuation. If available for ordering, purchases will be subject to an additional waiver at checkout, and are intended for early internal evaluation purposes only. These items are sold without warranties of any kind.

(3) **RoHS values:** Yes, No, RoHS Exempt. See the [TI RoHS Statement](#) for additional information and value definition.

(4) **Lead finish/Ball material:** Parts may have multiple material finish options. Finish options are separated by a vertical ruled line. Lead finish/Ball material values may wrap to two lines if the finish value exceeds the maximum column width.

(5) **MSL rating/Peak reflow:** The moisture sensitivity level ratings and peak solder (reflow) temperatures. In the event that a part has multiple moisture sensitivity ratings, only the lowest level per JEDEC standards is shown. Refer to the shipping label for the actual reflow temperature that will be used to mount the part to the printed circuit board.

(6) **Part marking:** There may be an additional marking, which relates to the logo, the lot trace code information, or the environmental category of the part.

Multiple part markings will be inside parentheses. Only one part marking contained in parentheses and separated by a "~" will appear on a part. If a line is indented then it is a continuation of the previous line and the two combined represent the entire part marking for that device.

**Important Information and Disclaimer:** The information provided on this page represents TI's knowledge and belief as of the date that it is provided. TI bases its knowledge and belief on information provided by third parties, and makes no representation or warranty as to the accuracy of such information. Efforts are underway to better integrate information from third parties. TI has taken and continues to take reasonable steps to provide representative and accurate information but may not have conducted destructive testing or chemical analysis on incoming materials and chemicals. TI and TI suppliers consider certain information to be proprietary, and thus CAS numbers and other limited information may not be available for release.

In no event shall TI's liability arising out of such information exceed the total purchase price of the TI part(s) at issue in this document sold by TI to Customer on an annual basis.

**OTHER QUALIFIED VERSIONS OF SN54LS138, SN54LS138-SP, SN74LS138 :**

- Catalog : [SN74LS138](#), [SN54LS138](#)
- Military : [SN54LS138](#)
- Space : [SN54LS138-SP](#)

NOTE: Qualified Version Definitions:

- Catalog - TI's standard catalog product
- Military - QML certified for Military and Defense Applications
- Space - Radiation tolerant, ceramic packaging and qualified for use in Space-based application

**TAPE AND REEL INFORMATION**

**QUADRANT ASSIGNMENTS FOR PIN 1 ORIENTATION IN TAPE**


\*All dimensions are nominal

| Device       | Package Type | Package Drawing | Pins | SPQ  | Reel Diameter (mm) | Reel Width W1 (mm) | A0 (mm) | B0 (mm) | K0 (mm) | P1 (mm) | W (mm) | Pin1 Quadrant |
|--------------|--------------|-----------------|------|------|--------------------|--------------------|---------|---------|---------|---------|--------|---------------|
| SN74LS138DR  | SOIC         | D               | 16   | 2500 | 330.0              | 16.4               | 6.5     | 10.3    | 2.1     | 8.0     | 16.0   | Q1            |
| SN74LS138NSR | SOP          | NS              | 16   | 2000 | 330.0              | 16.4               | 8.2     | 10.5    | 2.5     | 12.0    | 16.0   | Q1            |

**TAPE AND REEL BOX DIMENSIONS**


\*All dimensions are nominal

| Device       | Package Type | Package Drawing | Pins | SPQ  | Length (mm) | Width (mm) | Height (mm) |
|--------------|--------------|-----------------|------|------|-------------|------------|-------------|
| SN74LS138DR  | SOIC         | D               | 16   | 2500 | 353.0       | 353.0      | 32.0        |
| SN74LS138NSR | SOP          | NS              | 16   | 2000 | 356.0       | 356.0      | 35.0        |

**TUBE**


\*All dimensions are nominal

| Device             | Package Name | Package Type | Pins | SPQ | L (mm) | W (mm) | T (µm) | B (mm) |
|--------------------|--------------|--------------|------|-----|--------|--------|--------|--------|
| 76005012A          | FK           | LCCC         | 20   | 55  | 506.98 | 12.06  | 2030   | NA     |
| 7600501FA          | W            | CFP          | 16   | 25  | 506.98 | 26.16  | 6220   | NA     |
| JM38510/07701BFA   | W            | CFP          | 16   | 25  | 506.98 | 26.16  | 6220   | NA     |
| JM38510/07701BFA.A | W            | CFP          | 16   | 25  | 506.98 | 26.16  | 6220   | NA     |
| JM38510/30701B2A   | FK           | LCCC         | 20   | 55  | 506.98 | 12.06  | 2030   | NA     |
| JM38510/30701B2A.A | FK           | LCCC         | 20   | 55  | 506.98 | 12.06  | 2030   | NA     |
| JM38510/30701BFA   | W            | CFP          | 16   | 25  | 506.98 | 26.16  | 6220   | NA     |
| JM38510/30701BFA.A | W            | CFP          | 16   | 25  | 506.98 | 26.16  | 6220   | NA     |
| JM38510/30701SFA   | W            | CFP          | 16   | 25  | 506.98 | 26.16  | 6220   | NA     |
| JM38510/30701SFA.A | W            | CFP          | 16   | 25  | 506.98 | 26.16  | 6220   | NA     |
| M38510/07701BFA    | W            | CFP          | 16   | 25  | 506.98 | 26.16  | 6220   | NA     |
| M38510/30701B2A    | FK           | LCCC         | 20   | 55  | 506.98 | 12.06  | 2030   | NA     |
| M38510/30701BFA    | W            | CFP          | 16   | 25  | 506.98 | 26.16  | 6220   | NA     |
| M38510/30701SFA    | W            | CFP          | 16   | 25  | 506.98 | 26.16  | 6220   | NA     |
| SN74LS138D         | D            | SOIC         | 16   | 40  | 507    | 8      | 3940   | 4.32   |
| SN74LS138D.A       | D            | SOIC         | 16   | 40  | 507    | 8      | 3940   | 4.32   |
| SN74LS138DG4       | D            | SOIC         | 16   | 40  | 507    | 8      | 3940   | 4.32   |
| SN74LS138N         | N            | PDIP         | 16   | 25  | 506    | 13.97  | 11230  | 4.32   |
| SN74LS138N         | N            | PDIP         | 16   | 25  | 506    | 13.97  | 11230  | 4.32   |
| SN74LS138N.A       | N            | PDIP         | 16   | 25  | 506    | 13.97  | 11230  | 4.32   |
| SN74LS138N.A       | N            | PDIP         | 16   | 25  | 506    | 13.97  | 11230  | 4.32   |
| SN74LS138NE4       | N            | PDIP         | 16   | 25  | 506    | 13.97  | 11230  | 4.32   |
| SN74LS138NE4       | N            | PDIP         | 16   | 25  | 506    | 13.97  | 11230  | 4.32   |
| SN74S138AD         | D            | SOIC         | 16   | 40  | 507    | 8      | 3940   | 4.32   |
| SN74S138AD.A       | D            | SOIC         | 16   | 40  | 507    | 8      | 3940   | 4.32   |
| SN74S138AN         | N            | PDIP         | 16   | 25  | 506    | 13.97  | 11230  | 4.32   |
| SN74S138AN         | N            | PDIP         | 16   | 25  | 506    | 13.97  | 11230  | 4.32   |
| SN74S138AN.A       | N            | PDIP         | 16   | 25  | 506    | 13.97  | 11230  | 4.32   |
| SN74S138AN.A       | N            | PDIP         | 16   | 25  | 506    | 13.97  | 11230  | 4.32   |

---

| Device         | Package Name | Package Type | Pins | SPQ | L (mm) | W (mm) | T (µm) | B (mm) |
|----------------|--------------|--------------|------|-----|--------|--------|--------|--------|
| SN74S138ANE4   | N            | PDIP         | 16   | 25  | 506    | 13.97  | 11230  | 4.32   |
| SN74S138ANE4   | N            | PDIP         | 16   | 25  | 506    | 13.97  | 11230  | 4.32   |
| SNJ54LS138FK   | FK           | LCCC         | 20   | 55  | 506.98 | 12.06  | 2030   | NA     |
| SNJ54LS138FK.A | FK           | LCCC         | 20   | 55  | 506.98 | 12.06  | 2030   | NA     |
| SNJ54LS138W    | W            | CFP          | 16   | 25  | 506.98 | 26.16  | 6220   | NA     |
| SNJ54LS138W.A  | W            | CFP          | 16   | 25  | 506.98 | 26.16  | 6220   | NA     |

D (R-PDSO-G16)

PLASTIC SMALL OUTLINE



- NOTES:
- A. All linear dimensions are in inches (millimeters).
  - B. This drawing is subject to change without notice.
  - C. Body length does not include mold flash, protrusions, or gate burrs. Mold flash, protrusions, or gate burrs shall not exceed 0.006 (0,15) each side.
  - D. Body width does not include interlead flash. Interlead flash shall not exceed 0.017 (0,43) each side.
  - E. Reference JEDEC MS-012 variation AC.

# MECHANICAL DATA

NS (R-PDSO-G\*\*)

PLASTIC SMALL-OUTLINE PACKAGE

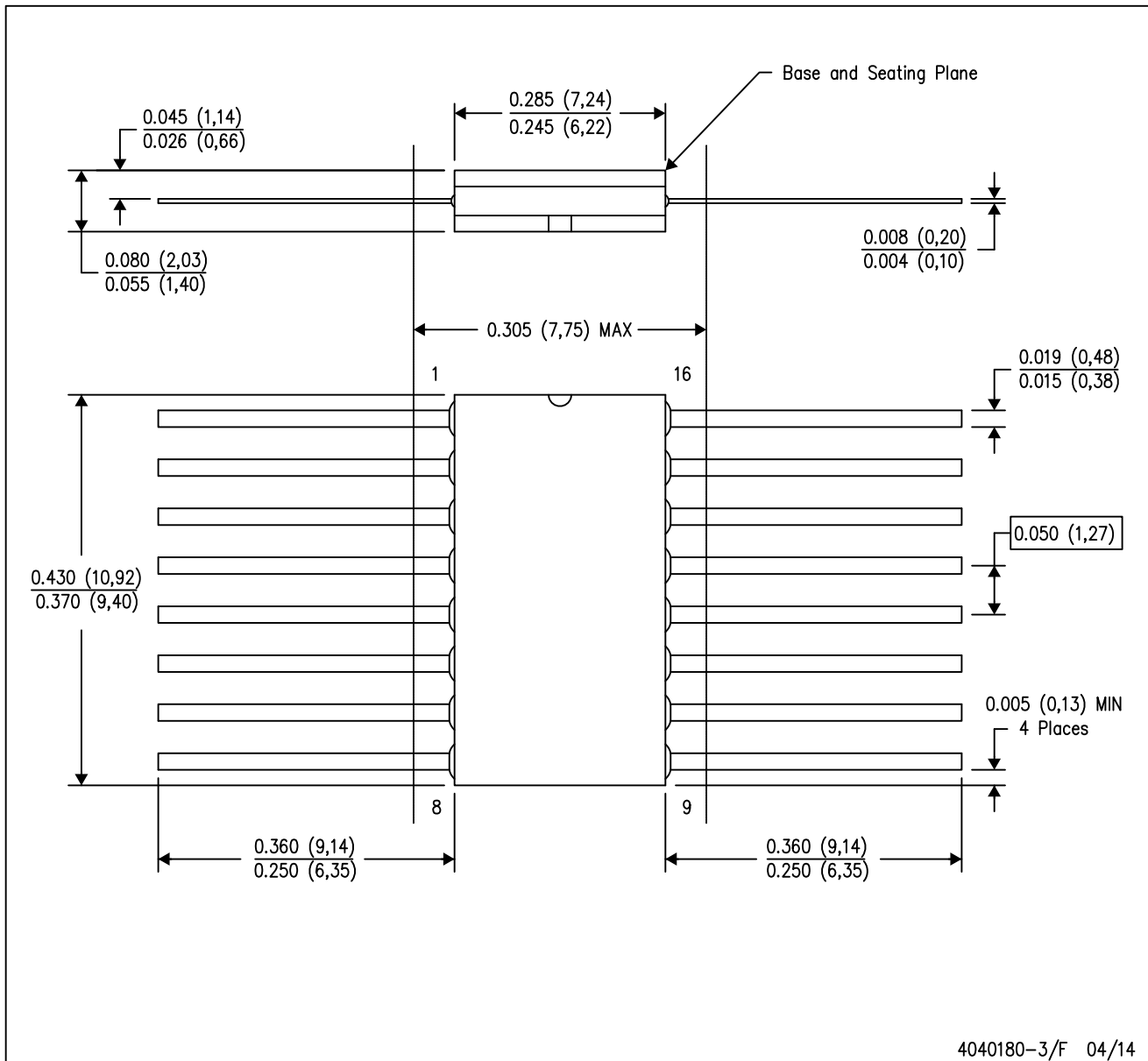
14-PINS SHOWN



- NOTES:
- A. All linear dimensions are in millimeters.
  - B. This drawing is subject to change without notice.
  - C. Body dimensions do not include mold flash or protrusion, not to exceed 0,15.

W (R-GDFP-F16)

CERAMIC DUAL FLATPACK



- NOTES:
- A. All linear dimensions are in inches (millimeters).
  - B. This drawing is subject to change without notice.
  - C. This package can be hermetically sealed with a ceramic lid using glass frit.
  - D. Index point is provided on cap for terminal identification only.
  - E. Falls within MIL STD 1835 GDFP2-F16

## GENERIC PACKAGE VIEW

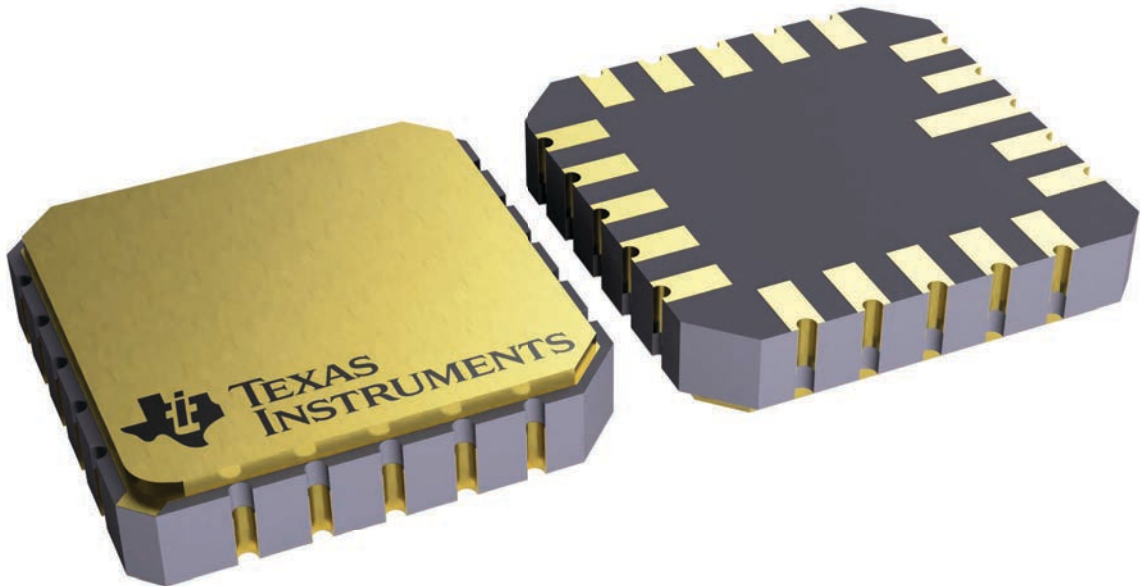
**FK 20**

**LCCC - 2.03 mm max height**

8.89 x 8.89, 1.27 mm pitch

LEADLESS CERAMIC CHIP CARRIER

This image is a representation of the package family, actual package may vary.  
Refer to the product data sheet for package details.



4229370VA\

J (R-GDIP-T\*\*)

14 LEADS SHOWN

CERAMIC DUAL IN-LINE PACKAGE



| DIM \ PINS ** | 14                     | 16                     | 18                     | 20                     |
|---------------|------------------------|------------------------|------------------------|------------------------|
| A             | 0.300<br>(7,62)<br>BSC | 0.300<br>(7,62)<br>BSC | 0.300<br>(7,62)<br>BSC | 0.300<br>(7,62)<br>BSC |
| B MAX         | 0.785<br>(19,94)       | .840<br>(21,34)        | 0.960<br>(24,38)       | 1.060<br>(26,92)       |
| B MIN         | —                      | —                      | —                      | —                      |
| C MAX         | 0.300<br>(7,62)        | 0.300<br>(7,62)        | 0.310<br>(7,87)        | 0.300<br>(7,62)        |
| C MIN         | 0.245<br>(6,22)        | 0.245<br>(6,22)        | 0.220<br>(5,59)        | 0.245<br>(6,22)        |



4040083/F 03/03

- NOTES:
- All linear dimensions are in inches (millimeters).
  - This drawing is subject to change without notice.
  - This package is hermetically sealed with a ceramic lid using glass frit.
  - Index point is provided on cap for terminal identification only on press ceramic glass frit seal only.
  - Falls within MIL STD 1835 GDIP1-T14, GDIP1-T16, GDIP1-T18 and GDIP1-T20.

N (R-PDIP-T\*\*)

PLASTIC DUAL-IN-LINE PACKAGE

16 PINS SHOWN



- NOTES:
- A. All linear dimensions are in inches (millimeters).
  - B. This drawing is subject to change without notice.
  - C Falls within JEDEC MS-001, except 18 and 20 pin minimum body length (Dim A).
  - D The 20 pin end lead shoulder width is a vendor option, either half or full width.

4040049/E 12/2002

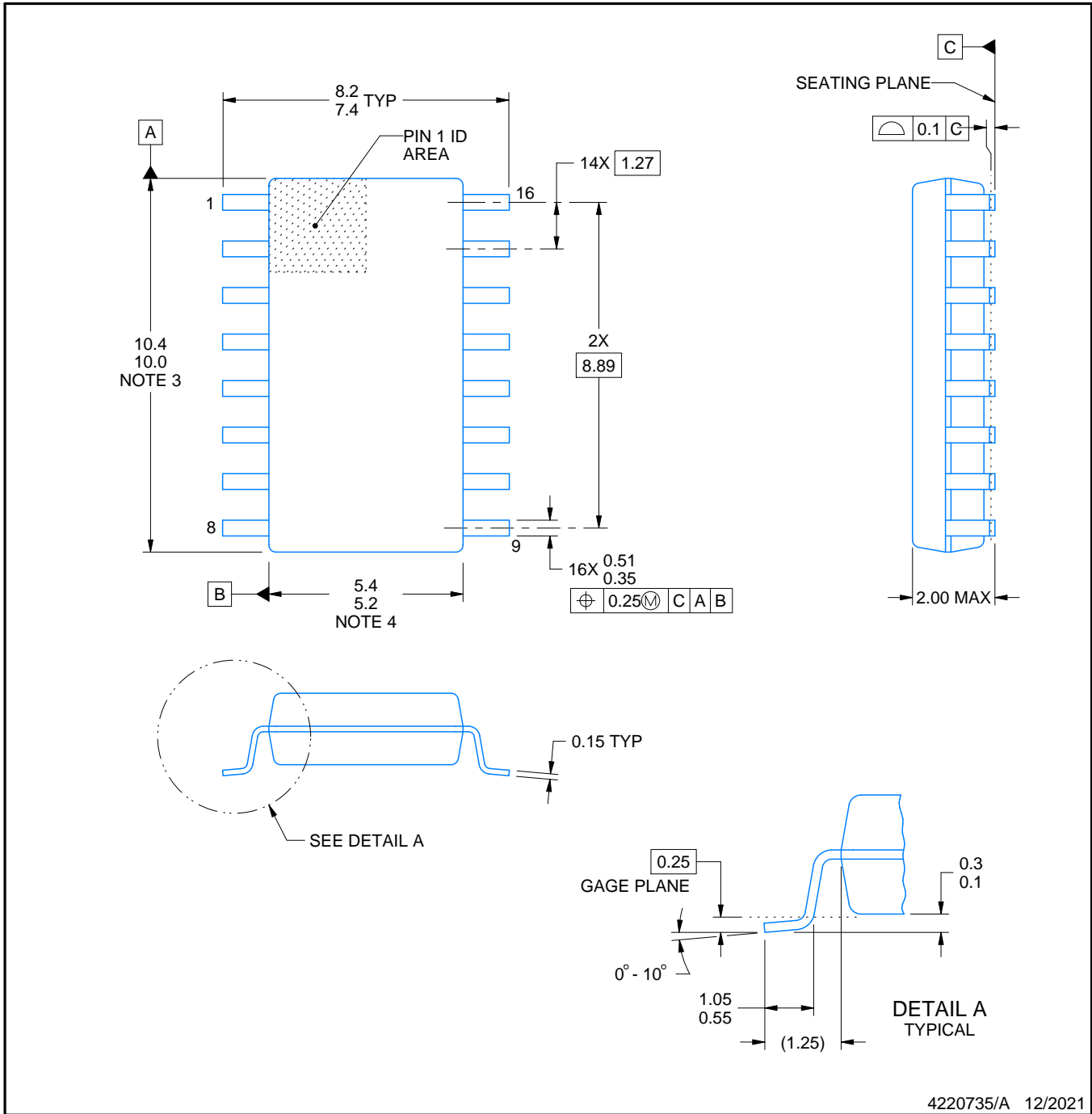


# PACKAGE OUTLINE

## NS0016A

### SOP - 2.00 mm max height

SOP



4220735/A 12/2021

#### NOTES:

1. All linear dimensions are in millimeters. Dimensions in parenthesis are for reference only. Dimensioning and tolerancing per ASME Y14.5M.
2. This drawing is subject to change without notice.
3. This dimension does not include mold flash, protrusions, or gate burrs. Mold flash, protrusions, or gate burrs shall not exceed 0.15 mm, per side.
4. This dimension does not include interlead flash. Interlead flash shall not exceed 0.25 mm, per side.

# EXAMPLE BOARD LAYOUT

NS0016A

SOP - 2.00 mm max height

SOP



4220735/A 12/2021

NOTES: (continued)

5. Publication IPC-7351 may have alternate designs.

6. Solder mask tolerances between and around signal pads can vary based on board fabrication site.

# EXAMPLE STENCIL DESIGN

NS0016A

SOP - 2.00 mm max height

SOP



SOLDER PASTE EXAMPLE  
BASED ON 0.125 mm THICK STENCIL  
SCALE:7X

4220735/A 12/2021

NOTES: (continued)

7. Laser cutting apertures with trapezoidal walls and rounded corners may offer better paste release. IPC-7525 may have alternate design recommendations.
8. Board assembly site may have different recommendations for stencil design.

## IMPORTANT NOTICE AND DISCLAIMER

TI PROVIDES TECHNICAL AND RELIABILITY DATA (INCLUDING DATA SHEETS), DESIGN RESOURCES (INCLUDING REFERENCE DESIGNS), APPLICATION OR OTHER DESIGN ADVICE, WEB TOOLS, SAFETY INFORMATION, AND OTHER RESOURCES "AS IS" AND WITH ALL FAULTS, AND DISCLAIMS ALL WARRANTIES, EXPRESS AND IMPLIED, INCLUDING WITHOUT LIMITATION ANY IMPLIED WARRANTIES OF MERCHANTABILITY, FITNESS FOR A PARTICULAR PURPOSE OR NON-INFRINGEMENT OF THIRD PARTY INTELLECTUAL PROPERTY RIGHTS.

These resources are intended for skilled developers designing with TI products. You are solely responsible for (1) selecting the appropriate TI products for your application, (2) designing, validating and testing your application, and (3) ensuring your application meets applicable standards, and any other safety, security, regulatory or other requirements.

These resources are subject to change without notice. TI grants you permission to use these resources only for development of an application that uses the TI products described in the resource. Other reproduction and display of these resources is prohibited. No license is granted to any other TI intellectual property right or to any third party intellectual property right. TI disclaims responsibility for, and you will fully indemnify TI and its representatives against, any claims, damages, costs, losses, and liabilities arising out of your use of these resources.

TI's products are provided subject to [TI's Terms of Sale](#) or other applicable terms available either on [ti.com](https://www.ti.com) or provided in conjunction with such TI products. TI's provision of these resources does not expand or otherwise alter TI's applicable warranties or warranty disclaimers for TI products.

TI objects to and rejects any additional or different terms you may have proposed.

Mailing Address: Texas Instruments, Post Office Box 655303, Dallas, Texas 75265

Copyright © 2025, Texas Instruments Incorporated