

AWR2944P/AWR2E44P/AWR2944-ECO/AWR2E44-ECO/AWR2944LC/AWR2E44LC

Single-Chip 76 to 81GHz FMCW Automotive Radar Sensor

1 Features

- FMCW transceiver
 - Integrated PLL, transmitter, receiver, baseband and ADC
 - 76GHz to 81GHz coverage with 5GHz available BW with 4 receive and 4 transmit channels
 - AWR2944P/AWR2944-ECO/AWR2944LC: PCB interface to antennas
 - AWR2E44P/AWR2E44-ECO/AWR2E44LC: **Launch-on-Package (LOP) interface** to antennas
 - Per transmit phase shifter
 - Ultra-accurate chirp engine via fractional-N PLL
 - TX power
 - AWR2944P: 14dBm
 - AWR2944-ECO/AWR2944LC: 13.5dBm
 - AWR2E44P: 13.5dBm
 - AWR2E44-ECO/AWR2E44LC: 12.5dBm
 - RX noise figure
 - AWR2944P: 10.5dB
 - AWR2944-ECO/AWR2944LC: 12dB
 - AWR2E44P: 11dB
 - AWR2E44-ECO/AWR2E44LC: 12.5dB
 - Phase noise at 1MHz
 - VCO1: -96dBc/Hz (76 to 77GHz)
 - VCO2: -95dBc/Hz (76 to 81GHz)
- Processing elements
 - Arm® Cortex-R5F® core (supports lock step operation) @400MHz
 - TI digital signal processor C66x @450MHz
Not applicable to 2944LC and AWR2E44LC
 - TI radar hardware accelerator (HWA2.1) for operations like FFT, log magnitude, and memory compression
 - Multiple EDMA instances for data movement
 - Programmable embedded hardware security module (HSM) using Arm®Cortex-M4
 - Second Arm® Cortex M4 core in the DSS (DSP Subsystem), controlling and configuring the HWA2.1
- Functional safety compliant targeted
 - Developed for functional safety applications
 - Documentation will be available to aid ISO 26262 functional safety system design
 - Hardware integrity up to ASIL B targeted
- Other interfaces available to user application (on select part numbers)
 - Up to 9 ADC channels based on device variant
 - 2 SPIs | 4 UARTs | I²C | GPIOs | 3 EPWMs
 - 4-lane Aurora LVDS interface for raw ADC data and debug instrumentation
 - 2-lane CSI2 Rx for playback of captured data
- On-Chip RAM (split between DSP, MCU, and shared L3)
 - 3MB to 4.5MB of 'On Chip' RAM (AWR2944P/AWR2E44P: 4.5MB, AWR2944-ECO/AWR2E44-ECO: 4MB, AWR2944LC//AWR2E44LC: 3MB)
- Host interface
 - 2x CAN-FD
 - 10/100/1000Mbps Ethernet
 - 10/100Mbps for the AWR2944-ECO/AWR2E44-ECO
 - Not applicable to AWR2944LC/AWR2E44LC
- Supports a serial flash memory interface (loading user application from QSPI flash memory)
- Device security (*on select part numbers*)
 - Secure authenticated and encrypted boot support
 - Customer programmable root keys, symmetric keys (256 bit), asymmetric keys (up to RSA-4K or ECC-512) with key revocation capability
 - Cryptographic hardware accelerators: PKA with ECC, AES (up to 256 bit), SHA (up to 512 bit), TRNG/DRBG, and SM2, SM3, SM4 (Chinese crypto algorithms)
- Built-in firmware (ROM) and Self-calibrating system across process and temperature
- AEC-Q100 qualified
- Advanced features
 - Embedded self-monitoring with no external processor involvement
 - Embedded interference detection capability
- Power management
 - On-die LDO network for enhanced PSRR
 - LVCMOS IO supports dual voltage 3.3V and 1.8V
- Clock source
 - 50/40MHz crystal with internal oscillator
 - Supports externally driven oscillator or clock (square or sine wave) at 50/40MHz
 - 25MHz external clock to eliminate external crystal oscillator for Ethernet PHY when using the 50MHz clock.
- Optimal Power Management Solution
 - Recommended [LP87745-Q1 Power Management ICs \(PMIC\)](#)



- Companion PMIC specially designed to meet device power supply requirements
- Flexible mapping and factory programmed configurations to support different use cases
- Cost-reduced hardware design using 0.65mm pitch FCCSP package
 - AWR2944P/AWR2944-ECO/AWR2944LC: 12mm × 12mm
 - AWR2E44P/AWR2E44-ECO/AWR2E44LC: 13.5mm × 12mm
- Supports automotive junction temperature operating range of –40°C to 140°C

2 Applications

- [Corner Radar](#)
- [Front and Rear Radar](#)
- [Lane change assist](#)
- [Blind spot detection](#)
- [Automatic emergency braking](#)
- [Adaptive cruise control](#)
- [Cross traffic alert](#)

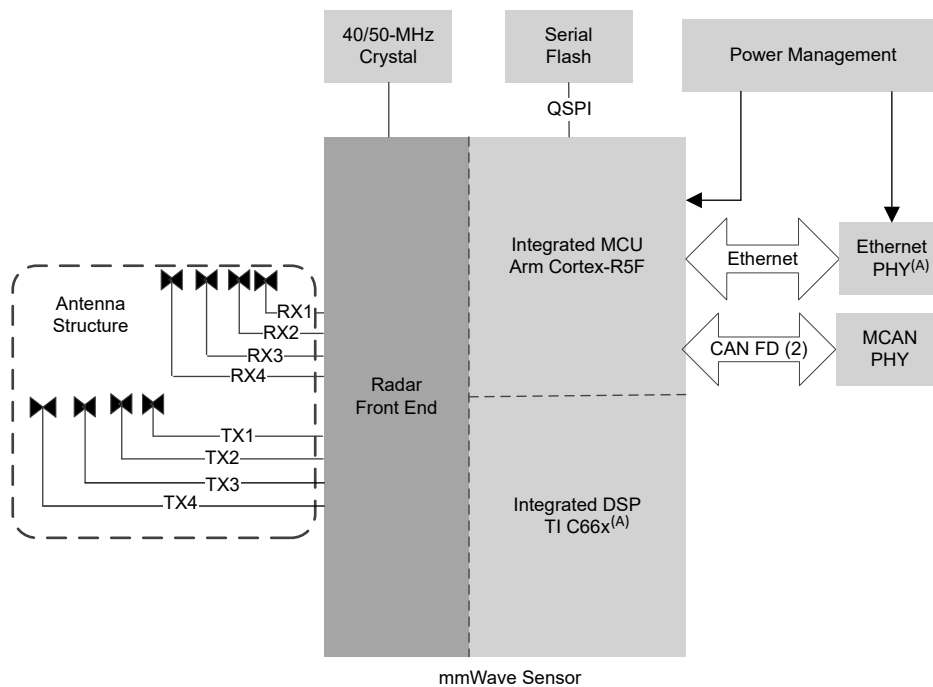


Figure 2-1. Autonomous Radar Sensor For Automotive Applications

Note

A. DSP and Ethernet is available on selected part numbers. For more details, refer to [Section 4](#)

3 Description

The AWR2944P/AWR2E44P is a "Performance" expansion to the [AWR2944](#) portfolio with enhanced RF and compute performance to meet NCAP + Automated Driving requirements. The AWR2944-ECO/AWR2E44-ECO and AWR2944LC/AWR2E44LC are mainstream and feature optimized variants respectively in the family to enable customers with a scalable portfolio between P, ECO, and LC devices in the family. The AWR2944P/AWR2E44P/AWR2944-ECO/AWR2E44-ECO/AWR2944LC/AWR2E44LC is also a single-chip mmWave sensor composed of a FMCW transceiver, capable of operation in the 76- to 81-GHz band, radar data processing elements, and peripherals for in-vehicle networking. The radar sensor is built with TI's low-power 45-nm

RFCMOS process with designs to enhance RF and compute performance enabling unprecedented levels of integration in a small form factor and minimal BOM. The **AWR2944P/AWR2E44P/AWR2944-ECO/AWR2E44-ECO/AWR2944LC/AWR2E44LC** device is designed for low-power, self-monitored, ultra-accurate radar systems in the automotive space.

The AWR2E44P/AWR2E44-ECO/AWR2E44LC variant provides customers with an remarkable Launch on Package (LOP) antenna feature which facilitates the attachment of antennas directly on to the package. LOP technology enables loss-less transmission of signals from the AWR2E44P/AWR2E44-ECO/AWR2E44LC chip to the antenna via holes in the PCB & launches on the bottom of the chip. The chip and antenna are directly soldered to the PCB enabling low cost PCB material to be used instead of expensive high-frequency material.

TI's low-power 45nm RFCMOS process enables a monolithic implementation of a 4 TX, 4 RX system with integrated PLL, VCO, mixer, and baseband ADC. Integrated in the DSP subsystem (DSS), is TI's high-performance C66x DSP for radar signal processing. The device includes a Radio Processor Subsystem (RSS), which is responsible for radar front-end configuration, control, and calibration. Within the Main Subsystem (MSS), the device implements a user-programmable Arm Cortex-R5F processor allowing for custom control and automotive interface applications. The hardware accelerator block (HWA 2.1) supplements the DSS and MSS by offloading common radar processing such as FFT, constant false alarm rate (CFAR), scaling, and compression. This saves MIPS on the DSS and MSS, opening up resources for custom applications and higher-level algorithms.

A Hardware Security Module (HSM) is also provisioned in the device (available for only secure part variants). The HSM consists of a programmable Arm Cortex-M4 core and the necessary infrastructure to provide a secure zone of operation within the device.

The AWR2944P/AWR2E44P/AWR2944-ECO/AWR2E44-ECO/AWR2944LC/AWR2E44LC also incorporates a Cortex-M4 processor to configure and control the Hardware Accelerator module (HWA 2.1).

Simple programming model changes can enable a wide variety of sensor implementation (Short, Mid, Long) with the possibility of dynamic reconfiguration for implementing a multimode sensor.

Additionally, the **AWR2944P/AWR2E44P/AWR2944-ECO/AWR2E44-ECO/AWR2944LC/AWR2E44LC** is provided as a complete platform device including TI hardware and software reference designs, software drivers, sample configurations, API guides, and user documentation.

Device Information

PART NUMBER	PACKAGE ⁽¹⁾	PACKAGE SIZE (NOM) ⁽²⁾	Variant
AWR2944PBGALTRQ1	ALT (FCCSP, 266)	12mm x 12mm	AWR2944P
AWR2944PBSALTRQ1	ALT (FCCSP, 266)	12mm x 12mm	AWR2944P HS
AWR2944EBGALTRQ1	ALT (FCCSP, 266)	12mm x 12mm	AWR2944-ECO
AWR2944EBSALTRQ1	ALT (FCCSP, 266)	12mm x 12mm	AWR2944-ECO HS
AWR2E44PBGAMXRQ1	AMX (FCCSP, 278)	13.5mm x 12mm	AWR2E44P
AWR2E44PBSAMXRQ1	AMX (FCCSP, 278)	13.5mm x 12mm	AWR2E44P HS
AWR2E44EBGAMXRQ1	AMX (FCCSP, 278)	13.5mm x 12mm	AWR2E44-ECO
AWR2E44EBSAMXRQ1	AMX (FCCSP, 278)	13.5mm x 12mm	AWR2E44-ECO HS
AWR2944LBGALTRQ1	ALT (FCCSP, 266)	12mm x 12mm	AWR2944LC
AWR2944LBSALTRQ1	ALT (FCCSP, 266)	12mm x 12mm	AWR2944LC HS
AWR2E44LBGAMXRQ1	AMX (FCCSP, 278)	13.5mm x 12mm	AWR2E44LC
AWR2E44LBSAMXRQ1	AMX (FCCSP, 278)	13.5mm x 12mm	AWR2E44LC HS

(1) For more information, see [Section 13](#).

(2) The package size (length × width) is a nominal value and includes pins, where applicable.

3.1 Functional Block Diagram

Figure 3-1 represents the functional block diagram for the device.

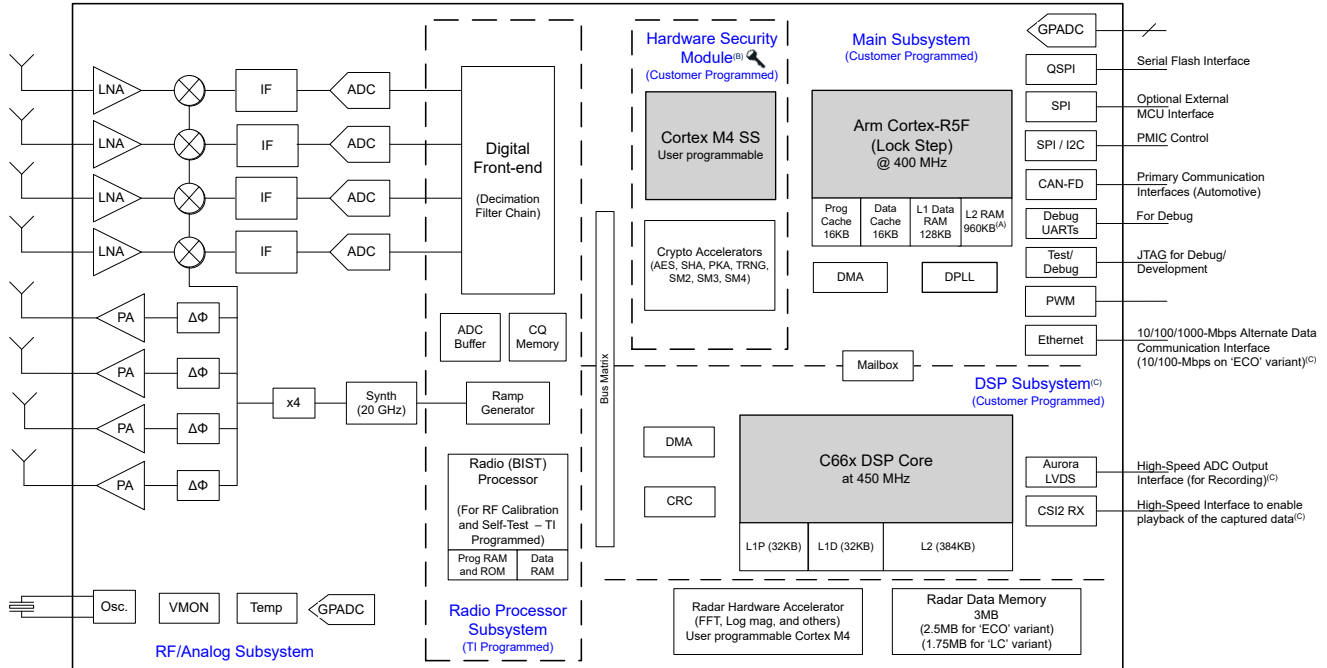


Figure 3-1. Functional Block Diagram

- A. Configurable memory can be switched from Radar Data memory to the Main Cortex-R5F program and Data RAMs per application usecase needs.
- B. This feature is only available in select part variants as indicated by the Device Type identifier in the [Section 3](#), Device Information table.
- C. This feature is not available for AWR2944LC and AWR2E44LC variants.

Table of Contents

1 Features	1	7.11 Input Clocks and Oscillators.....	46
2 Applications	2	7.12 Peripheral Information.....	47
3 Description	2	7.13 Emulation and Debug.....	69
3.1 Functional Block Diagram.....	4	8 Detailed Description	72
4 Device Comparison	6	8.1 Overview.....	72
5 Related Products	8	8.2 Functional Block Diagram.....	72
6 Pin Configurations and Functions	9	8.3 Subsystems.....	73
6.1 Pin Diagram - AWR2944P/AWR2944-ECO/ AWR2944LC.....	9	8.4 Other Subsystems.....	77
6.2 Pin Diagram - AWR2E44P/AWR2E44-ECO/ AWR2E44LC.....	10	9 Monitoring and Diagnostics	79
6.3 Pin Attributes.....	11	9.1 Monitoring and Diagnostic Mechanisms.....	79
6.4 Signal Descriptions - Digital.....	24	10 Applications, Implementation, and Layout	82
6.5 Signal Descriptions- Analog.....	33	10.1 Application Information.....	82
7 Specifications	37	10.2 Short, Medium, and Long Range Radar.....	82
7.1 Absolute Maximum Ratings.....	37	10.3 Reference Schematic.....	82
7.2 ESD Ratings.....	37	11 Device and Documentation Support	83
7.3 Power-On Hours (POH)	38	11.1 Device Nomenclature.....	84
7.4 Recommended Operating Conditions.....	38	11.2 Tools and Software.....	85
7.5 VPP Specifications for One-Time Programmable (OTP) eFuses.....	39	11.3 Documentation support.....	85
7.6 Power Supply Specifications.....	40	11.4 Support Resources.....	85
7.7 Power Consumption Summary.....	41	11.5 Trademarks.....	85
7.8 RF Specifications.....	42	11.6 Electrostatic Discharge Caution.....	86
7.9 Thermal Resistance Characteristics	44	11.7 Glossary.....	86
7.10 Power Supply Sequencing and Reset Timing.....	45	12 Revision History	86
		13 Mechanical, Packaging, and Orderable Information	87

4 Device Comparison

Table 4-1. Device Features Comparison

FUNCTION	AWR2944P	AWR2E44P	AWR2944-ECO	AWR2E44-ECO	AWR2944LC	AWR2E44LC	AWR2544	AWR2944
Launch on Package (LOP) Antenna	—	Yes	—	Yes	—	Yes	Yes	—
Number of receivers	4	4	4	4	4	4	4	4
Number of transmitters	4	4	4	4	4	4	4	4
On-chip memory	4.5MB	4.5MB	4MB	4MB	3MB	3MB	2MB	4MB
Max I/F (Intermediate Frequency) (MHz)	20	20	20	20	20	20	20	15
Max real/complex 2x sampling rate (Msps)	45 ⁽¹⁾	45 ⁽¹⁾	45 ⁽¹⁾	45 ⁽¹⁾	45 ⁽¹⁾	45 ⁽¹⁾	45 ⁽¹⁾	37.5 ⁽¹⁾
Safety and Security⁽²⁾								
Device Security ⁽³⁾	Yes	Yes	Yes	Yes	Yes	Yes	Yes	Yes
AEC-Q100 Qualified	Yes	Yes	Yes	Yes	Yes	Yes	Yes	Yes
Processor								
MCU (RxF)	Yes	Yes	Yes	Yes	Yes	Yes	Yes	Yes
DSP (C6xx)	Yes ⁽⁴⁾	Yes ⁽⁴⁾	Yes ⁽⁴⁾	Yes ⁽⁴⁾	—	—	—	Yes ⁽⁴⁾
Hardware accelerator ⁽⁶⁾	HWA2.1 ⁽⁵⁾	HWA2.1 ⁽⁵⁾	HWA2.1 ⁽⁵⁾	HWA2.1 ⁽⁵⁾	HWA2.1 ⁽⁵⁾	HWA2.1 ⁽⁵⁾	HWA1.5	HWA2.1
DSS_M4 for HWA control	Yes	Yes	Yes	Yes	Yes	Yes	—	—
Hardware Security Module (HSM) ^{(7) (8)}	Yes	Yes	Yes	Yes	Yes	Yes	Yes	Yes
Security Accelerators ⁽⁷⁾	Yes	Yes	Yes	Yes	Yes	Yes	Yes	Yes
Peripherals								
Serial Peripheral Interface (SPI) ports	2	2	2	2	2	2	1	2
Quad Serial Peripheral Interface (QSPI)	Yes	Yes	Yes	Yes	Yes	Yes	Yes	Yes
LVDS/Debug	Yes	Yes	Yes	Yes	Yes	Yes	Yes	Yes
Aurora LVDS	Yes	Yes	Yes	Yes	—	—	—	Yes
Ethernet Interface	Yes	Yes	Yes	Yes	—	—	Yes	Yes
Reference Clock for Ethernet	Yes	Yes	Yes	Yes	—	—	Yes	—
Inter-Integrated Circuit (I ² C) interface	1	1	1	1	1	1	1	1
CAN FD	2	2	2	2	2	2	—	2
Trace	Yes	Yes	Yes	Yes	Yes	Yes	Yes	Yes
ePWM	Yes	Yes	Yes	Yes	Yes	Yes	Yes	Yes
DMM Interface	Yes	Yes	Yes	Yes	Yes	Yes	—	Yes
GPADC	Yes ⁽⁹⁾	Yes ⁽⁹⁾	Yes ⁽⁹⁾	Yes ⁽⁹⁾	Yes ⁽⁹⁾	Yes ⁽⁹⁾	Yes ⁽⁹⁾	Yes ⁽⁹⁾
CSI2 TX	—	—	—	—	—	—	Yes	—

Table 4-1. Device Features Comparison (continued)

FUNCTION		AWR2944P	AWR2E44P	AWR2944-ECO	AWR2E44-ECO	AWR2944LC	AWR2E44LC	AWR2544	AWR2944
CSI2 RX		Yes	Yes	Yes	Yes	—	—	—	Yes
JTAG		Yes	Yes	Yes	Yes	Yes	Yes	Yes	Yes
Per chirp configurable Tx phase shifter		Yes	Yes	Yes	Yes	Yes	Yes	Yes	Yes
Product statuses ⁽¹⁰⁾	PRODUCT PREVIEW (PP), ADVANCE INFORMATION (AI), or PRODUCTION DATA (PD)	PD	PD	PD	PD	PD	PD	PD	PD

- (1) Supports a real only receiver
- (2) Developed for Functional Safety applications, the AWR2944P/AWR2E44P/AWR2944-ECO/AWR2E44-ECO/AWR2944LC/AWR2E44LC device is targeted to support hardware integrity up to ASIL-B. For other devices, refer to the respective data sheets.
- (3) Device security features including Secure Boot and Customer Programmable Keys are applicable to select part number variants as indicated by the Device Type identifier in the [Section 3](#), Device Information table.
- (4) The DSP processing core is upgraded from C67x in AWR1843 to C66x.
- (5) User programmable using Arm@Cortex-M4.
- (6) The hardware accelerator is upgraded to HWA2.1 with additional features as compared to AWR1843.
- (7) Only applicable for Secure Part Variant
- (8) User Programmable Arm@Cortex-M4
- (9) Has a dedicated GPADC for external voltage monitoring
- (10) PRODUCTION DATA information is current as of publication date. Products conform to specifications per the terms of the Texas Instruments standard warranty. Production processing does not necessarily include testing of all parameters. ADVANCE INFORMATION concerns new products in the sampling or preproduction phase of development. Characteristic data and other specifications are subject to change without notice.

5 Related Products

For information about other devices in this family of products or related products see the links that follow.

mmWave Sensors TI's mmWave sensors rapidly and accurately sense range, angle and velocity with less power using the smallest footprint mmWave sensor portfolio for automotive applications.

Automotive mmWave Sensors TI's automotive mmWave sensor portfolio offers high-performance radar front end to ultra-high resolution, small and low-power single-chip radar solutions. TI's scalable sensor portfolio enables design and development of ADAS system solution for every performance, application and sensor configuration ranging from comfort functions to safety functions in all vehicles.

6 Pin Configurations and Functions

6.1 Pin Diagram - AWR2944P/AWR2944-ECO/AWR2944LC

Figure 6-1 shows the pin locations for the AWR2944P/AWR2944-ECO/AWR2944LC 12mm x 12mm FCCSP non-LOP package. ¹

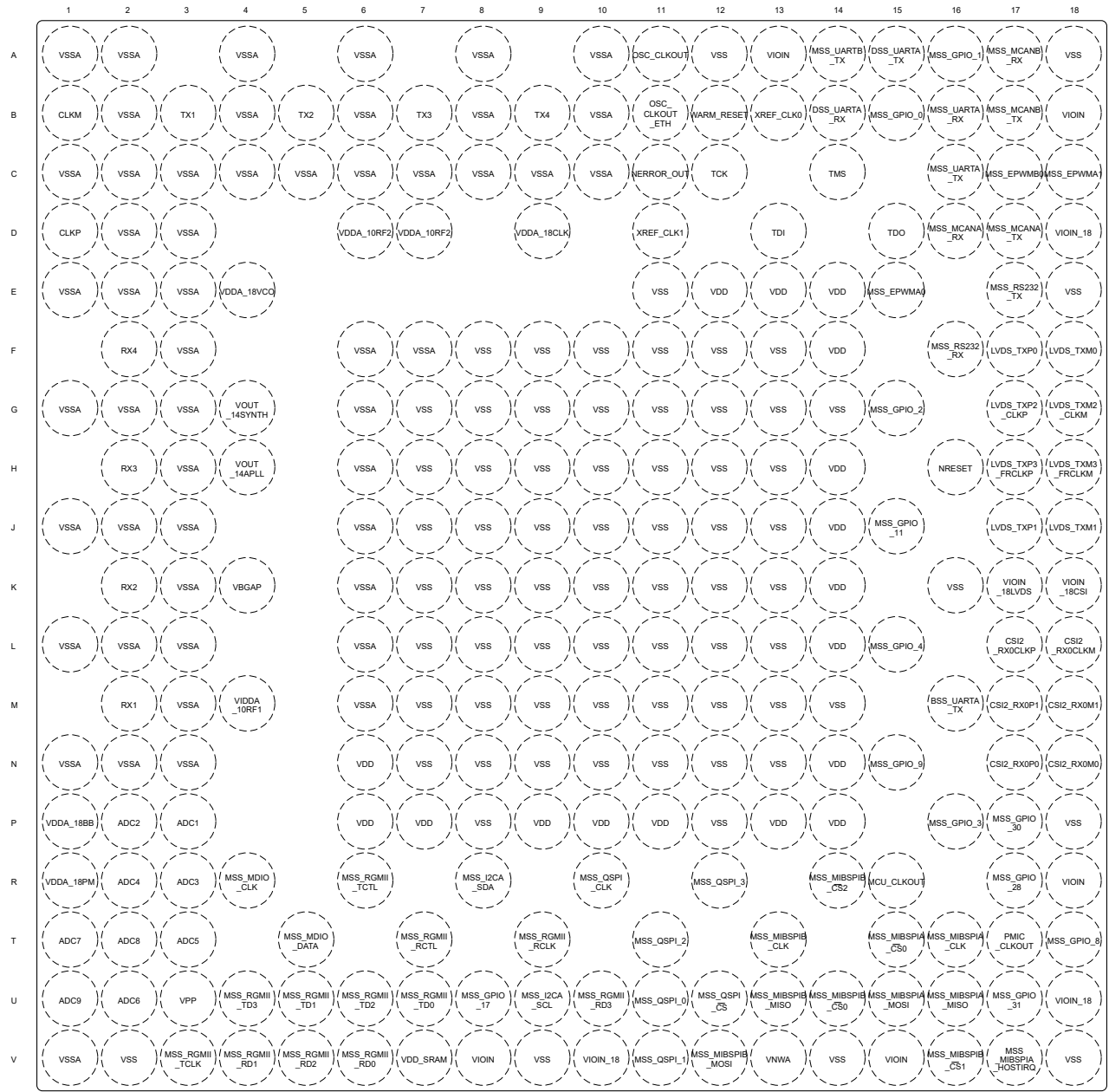


Figure 6-1. Pin Diagram - AWR2944P/AWR2944-ECO/AWR2944LC

¹ Some pins are disabled for AWR2944LC. For more information please refer to Section 6.4

6.3 Pin Attributes

BALL NUMBER 1		PAD NAME 8	BALL NAME 2	SIGNAL NAME 3	MODE 4 8	TYPE 5	BALL RESET STATE 6	PULL UP/DOWN TYPE 7
AWR2944P/AWR2944-ECO/AWR2944LC	AWR2E44P/AWR2E44-ECO/AWR2E44LC							
V16	T16	PAD_AA	MSS_MIBSPI_B_CS1	MSS_GPIO_12	0	IO	Output Disabled	Pull Down
				MSS_MIBSPIA_HOSTIRQ	1	O		
				ADC_VALID	2	O		
				MSS_MIBSPIB_CS1	6	IO		
B15	C17	PAD_AB	MSS_EPWM_B0	MSS_GPIO_13	0	IO	Output Disabled	Pull Down
				MSS_GPIO_0	1	IO		
				PMIC_CLKOUT	2	O		
				MSS_EPWM_TZ2	3	I		
				MSS_EPWMA1	10	O		
				MSS_EPWMB0	11	O		
A16	A10	PAD_AC	MSS_GPIO_1	MSS_GPIO_16	0	IO	Output Disabled	Pull Down
				MSS_GPIO_1	1	IO		
				SYNC_OUT	2	O		
				MSS_EPWM_TZ1	3	I		
				BSS_UARTA_TX	7	O		
				READY_INT	8	O		
				LVDS_VALID	9	O		
				DMM_MUX_IN	12	I		
				MSS_MIBSPIB_CS1	13	IO		
				MSS_MIBSPIB_CS2	14	IO		
MSS_EPWMA_SYNCI	15	I						
V12	T13	PAD_AH	MSS_MIBSPI_B_MOSI	MSS_GPIO_21	0	IO	Output Disabled	Pull Up
				MSS_MIBSPIB_MOSI	1	IO		
				MSS_I2C_SDA	2	IO		
				MSS_EPWMA0	3	O		
				MSS_MCANB_RX	7	I		
U13	T15	PAD_AI	MSS_MIBSPI_B_MISO	MSS_GPIO_22	0	IO	Output Disabled	Pull Up
				MSS_MIBSPIB_MISO	1	IO		
				MSS_I2C_SCL	2	IO		
				MSS_EPWMB0	3	O		
				DSS_UARTA_TX	6	IO		
				MSS_MCANB_TX	7	O		

BALL NUMBER 1		PAD NAME 8	BALL NAME 2	SIGNAL NAME 3	MODE 4 8	TYPE 5	BALL RESET STATE 6	PULL UP/DOWN TYPE 7
AWR2944P/AWR2944-ECO/AWR2944LC	AWR2E44P/AWR2E44-ECO/AWR2E44LC							
T13	T14	PAD_AJ	MSS_MIBSPI_B_CLK	MSS_GPIO_5	0	IO	Output Disabled	Pull Up
				MSS_MIBSPIB_CLK	1	IO		
				MSS_UARTA_RX	2	IO		
				MSS_EPWMC0	3	O		
				MSS_UARTB_TX	6	IO		
				BSS_UARTA_TX	7	O		
				MSS_MCANA_RX	8	I		
U14	U15	PAD_AK	MSS_MIBSPI_B_CS0	MSS_GPIO_4	0	IO	Output Disabled	Pull Up
				MSS_MIBSPIB_CS0	1	IO		
				MSS_UARTA_TX	2	IO		
				MSS_UARTB_TX	6	IO		
				BSS_UARTA_TX	7	O		
				MSS_MCANA_TX	9	O		
U11	P2	PAD_AL	MSS_QSPI_0	MSS_GPIO_8	0	IO	Output Disabled	Pull Down
				MSS_QSPI_0	1	IO		
				MSS_MIBSPIB_MISO	2	IO		
V11	N2	PAD_AM	MSS_QSPI_1	MSS_GPIO_9	0	IO	Output Disabled	Pull Down
				MSS_QSPI_1	1	I		
				MSS_MIBSPIB_MOSI	2	IO		
				MSS_MIBSPIB_CS2	8	IO		
T11	P1	PAD_AN	MSS_QSPI_2	MSS_GPIO_10	0	IO	Output Disabled	Pull Up
				MSS_QSPI_2	1	I		
				ADC_VALID	2	O		
				MSS_MCANA_TX	8	O		
R12	R1	PAD_AO	MSS_QSPI_3	MSS_GPIO_11	0	IO	Output Disabled	Pull Up
				MSS_QSPI_3	1	I		
				ADC_VALID	2	O		
				MSS_MCANA_RX	8	I		
R10	R2	PAD_AP	MSS_QSPI_CLK	MSS_GPIO_7	0	IO	Output Disabled	Pull Down
				MSS_QSPI_CLK	1	IO		
				MSS_MIBSPIB_CLK	2	IO		
				DSS_UARTA_TX	6	IO		
U12	T1	PAD_AQ	MSS_QSPI_CS	MSS_GPIO_6	0	IO	Output Disabled	Pull Up
				MSS_QSPI_CS	1	O		
				MSS_MIBSPIB_CS0	2	IO		
B12	A6	PAD_AS	WARM_RESET	WARM_RESET	0	IO	HiZ Input (Open drain)	
C11	B6	PAD_AT	NERROR_OUT	NERROR_OUT	0	O	HiZ (Open drain)	

BALL NUMBER 1		PAD NAME 8	BALL NAME 2	SIGNAL NAME 3	MODE 4 8	TYPE 5	BALL RESET STATE 6	PULL UP/DOWN TYPE 7
AWR2944P/AWR2944-ECO/AWR2944LC	AWR2E44P/AWR2E44-ECO/AWR2E44LC							
C12	B8	PAD_AU	TCK	MSS_GPIO_17	0	IO	Output Disabled	Pull Down
				TCK	1	I		
				MSS_UARTB_TX	2	IO		
				BSS_UARTA_RX	6	I		
				MSS_MCANA_TX	8	O		
C14	B10	PAD_AV	TMS	MSS_GPIO_18	0	IO	Output Disabled	Pull Up
				TMS	1	IO		
				BSS_UARTA_TX	2	O		
				MSS_MCANA_RX	6	I		
D13	B9	PAD_AW	TDI	MSS_GPIO_23	0	IO	Output Disabled	Pull Up
				TDI	1	I		
				MSS_UARTA_RX	2	IO		
				DSS_UARTA_RX	7	IO		
D15	B11	PAD_AX	TDO	SOP[0]	During Power-up	I	Output Enabled	
				MSS_GPIO_24	0	IO		
				TDO	1	O		
				MSS_UARTA_TX	2	IO		
				MSS_UARTB_TX	6	IO		
				BSS_UARTA_TX	7	O		
NDMM_EN	9	O						
R15	R19	PAD_AY	MCU_CLKOUT	MSS_GPIO_25	0	IO	Output Disabled	Pull Down
				MCU_CLKOUT	1	O		
				TRACE_CLK	2	O		
				FRAME_START	7	O		
				READY_INT	8	O		
				LVDS_VALID	9	O		
				BSS_UARTA_RX	10	I		
				MSS_EPWMA0	12	O		
				DMM_CLK	14	I		
OBS_CLKOUT	15	O						

BALL NUMBER 1		PAD NAME 8	BALL NAME 2	SIGNAL NAME 3	MODE 4 8	TYPE 5	BALL RESET STATE 6	PULL UP/DOWN TYPE 7
AWR2944P/AWR2944-ECO/AWR2944LC	AWR2E44P/AWR2E44-ECO/AWR2E44LC							
G15	C20	PAD_AZ	MSS_GPIO_2	MSS_GPIO_26	0	IO	Output Disabled	Pull Down
				MSS_GPIO_2	1	IO		
				MSS_UARTB_TX	7	IO		
				MSS_GPIO_2		IO		
				SYNC_OUT	9	O		
				PMIC_CLKOUT	10	O		
				CHIRP_START	11	O		
				CHIRP_END	12	O		
				FRAME_START	13	O		
				MSS_EPWM_TZ0	14	I		
				LVDS_VALID	15	O		
T17	N19	PAD_BA	PMIC_CLKOUT	SOP[2]		During Power-up	Output Disabled	No Pull
				MSS_GPIO_27	0	IO		
				PMIC_CLKOUT	1	O		
				OBS_CLKOUT	2	O		
				TRACE_CTL	3	O		
				CHIRP_START	6	O		
				CHIRP_END	7	O		
				FRAME_START	8	O		
				READY_INT	9	O		
				LVDS_VALID	10	O		
				MSS_EPWMA1	11	O		
				MSS_EPWMB0	12	O		
				DMM_SYNC	13	I		
R17	P19	PAD_BB	MSS_GPIO_28	MSS_GPIO_28	0	IO	Output Disabled	Pull Down
				SYNC_IN	1	I		
				ADC_VALID	2	O		
				MSS_UARTB_RX	6	IO		
				DMM_MUX_IN	7	I		
				DSS_UARTA_RX	8	IO		
				SYNC_OUT	9	O		

BALL NUMBER 1		PAD NAME 8	BALL NAME 2	SIGNAL NAME 3	MODE 4 8	TYPE 5	BALL RESET STATE 6	PULL UP/DOWN TYPE 7
AWR2944P/AWR2944-ECO/AWR2944LC	AWR2E44P/AWR2E44-ECO/AWR2E44LC							
R14	T17	PAD_BC	MSS_GPIO_29	SOP[1]	During Power-up	I	Output Disabled	Pull Up
				MSS_GPIO_29	0	IO		
				SYNC_OUT	1	O		
				RCOSC_CLK	2	O		
				READY_INT	6	O		
				LVDS_VALID	7	O		
				DMM_MUX_IN	9	I		
				MSS_MIBSPIB_CS1	10	IO		
				MSS_MIBSPIB_CS2	11	IO		
				MSS_EPWMB0	12	O		
MSS_EPWMB1	13	O						
F16	B19	PAD_BD	MSS_RS232_RX	MSS_GPIO_15	0	IO	Output Disabled	Pull Up
				MSS_RS232_RX	1	IO		
				MSS_UARTA_RX	2	IO		
				TRACE_CLK	3	O		
				BSS_UARTA_TX	6	O		
				MSS_UARTB_RX	7	IO		
				MSS_MCANA_RX	8	I		
				MSS_I2C_SCL	9	IO		
				MSS_EPWMB0	10	O		
				MSS_EPWMB1	11	O		
MSS_EPWMC0	12	O						

BALL NUMBER 1		PAD NAME 8	BALL NAME 2	SIGNAL NAME 3	MODE 4 8	TYPE 5	BALL RESET STATE 6	PULL UP/DOWN TYPE 7
AWR2944P/AWR2944-ECO/AWR2944LC	AWR2E44P/AWR2E44-ECO/AWR2E44LC							
E17	A19	PAD_BE	MSS_RS232_TX	MSS_GPIO_14	0	IO	Output Enabled	Pull Up
				MSS_RS232_TX	1	IO		
				TRACE_CTL	2	O		
				MSS_UARTA_TX	5	IO		
				MSS_UARTB_TX	6	IO		
				BSS_UARTA_TX	7	O		
				READY_INT	8	O		
				LVDS_VALID	9	O		
				MSS_MCANA_TX	10	O		
				MSS_I2C_SDA	11	IO		
				MSS_EPWMA0	12	O		
				MSS_EPWMA1	13	O		
				NDMM_EN	14	O		
				MSS_EPWMB0	15	O		
				U17	T19	PAD_BF		
MSS_GPIO_31	1	IO						
DMM0	2	I						
MSS_UARTA_TX	4	IO						
MSS_GPIO_31	6	IO						
MSS_I2C_SDA	10	IO						
P17	P20	PAD_BG	MSS_I2C_SC L	TRACE_DATA_1	0	O	Output Disabled	Pull Down
				MSS_GPIO_30	1	IO		
				DMM1	2	I		
				MSS_EPWMC_SYNCI	3	I		
				MSS_UARTA_RX	4	IO		
				MSS_GPIO_0	6	IO		
				MSS_I2C_SCL	10	IO		
T18	M20	PAD_BH	MSS_GPIO_8	TRACE_DATA_2	0	O	Output Disabled	Pull Down
				MSS_GPIO_29	1	IO		
				DMM2	2	I		
				MSS_EPWMB_SYNCI	3	I		
				MSS_GPIO_1	6	IO		
				MSS_GPIO_8	7	IO		

BALL NUMBER 1		PAD NAME 8	BALL NAME 2	SIGNAL NAME 3	MODE 4 8	TYPE 5	BALL RESET STATE 6	PULL UP/DOWN TYPE 7
AWR2944P/AWR2944-ECO/AWR2944LC	AWR2E44P/AWR2E44-ECO/AWR2E44LC							
N15	N20	PAD_BI	MSS_GPIO_9	TRACE_DATA_3	0	O	Output Disabled	Pull Down
				MSS_GPIO_28	1	IO		
				DMM3	2	I		
				MSS_EPWMC_SYNCO	4	O		
				MSS_GPIO_2	6	IO		
				MSS_GPIO_9	7	IO		
P16	L19	PAD_BJ	MSS_GPIO_3	TRACE_DATA_4	0	O	Output Disabled	Pull Down
				MSS_GPIO_3	1	IO		
				DMM4	2	I		
				MSS_EPWMB_SYNCO	4	O		
				MSS_GPIO_27	6	IO		
L15	M19	PAD_BK	MSS_GPIO_4	TRACE_DATA_5	0	O	Output Disabled	Pull Down
				MSS_GPIO_4	1	IO		
				DMM5	2	I		
				MSS_EPWM_TZ2	4	I		
				MSS_UARTB_TX	5	IO		
				MSS_GPIO_26	6	IO		
M16	J19	PAD_BL	BSS_UARTA_TX	TRACE_DATA_6	0	O	Output Disabled	Pull Down
				MSS_GPIO_5	1	IO		
				DMM6	2	I		
				MSS_EPWM_TZ1	4	I		
				BSS_UARTA_TX	5	IO		
				MSS_GPIO_25	6	IO		
				MSS_GPIO_10	7	IO		
J15	K19	PAD_BM	MSS_GPIO_11	TRACE_DATA_7	0	O	Output Disabled	Pull Down
				MSS_GPIO_6	1	IO		
				DMM7	2	I		
				MSS_EPWM_TZ0	4	I		
				DSS_UARTA_TX	5	IO		
				MSS_GPIO_24	6	IO		
				MSS_GPIO_11	7	IO		

BALL NUMBER 1		PAD NAME 8	BALL NAME 2	SIGNAL NAME 3	MODE 4 8	TYPE 5	BALL RESET STATE 6	PULL UP/DOWN TYPE 7
AWR2944P/AWR2944-ECO/AWR2944LC	AWR2E44P/AWR2E44-ECO/AWR2E44LC							
D17	C18	PAD_BN	MSS_MCAN A_TX	TRACE_DATA_8	0	O	Output Disabled	Pull Down
				MSS_GPIO_7	1	IO		
				DMM8	2	I		
				MSS_MCANA_TX	4	O		
				MSS_EPWMA_SYNCI	5	I		
				MSS_GPIO_23	6	IO		
D16	B18	PAD_BO	MSS_MCAN A_RX	TRACE_DATA_9	0	O	Output Disabled	Pull Down
				MSS_GPIO_8	1	IO		
				DMM9	2	I		
				MSS_MCANA_RX	4	I		
				MSS_EPWMA_SYNCO	5	O		
				MSS_GPIO_22	6	IO		
E15	A18	PAD_BP	MSS_EPWM A0	TRACE_DATA_10	0	O	Output Disabled	Pull Down
				MSS_GPIO_9	1	IO		
				DMM10	2	I		
				MSS_EPWMA0	3	O		
				MSS_EPWMC0	4	O		
				MSS_GPIO_21	6	IO		
C18	—	PAD_BQ	MSS_EPWM A1	TRACE_DATA_11	0	O	Output Disabled	Pull Down
				MSS_GPIO_10	1	IO		
				DMM11	2	I		
				MSS_EPWMA1	3	O		
				MSS_EPWMC1	4	O		
				MSS_GPIO_20	6	IO—		
B17	A15	PAD_BR	MSS_MCAN B_TX	TRACE_DATA_12	0	O	Output Disabled	Pull Down
				MSS_GPIO_11	1	IO		
				DMM12	2	I		
				MSS_EPWMB0	3	O		
				MSS_EPWMA0	4	O		
				MSS_MCANB_TX	5	O		
				MSS_GPIO_19	6	IO		

BALL NUMBER 1		PAD NAME 8	BALL NAME 2	SIGNAL NAME 3	MODE 4 8	TYPE 5	BALL RESET STATE 6	PULL UP/DOWN TYPE 7
AWR2944P/AWR2944-ECO/AWR2944LC	AWR2E44P/AWR2E44-ECO/AWR2E44LC							
A17	A17	PAD_BS	MSS_MCANB_RX	TRACE_DATA_13	0	O	Output Disabled	Pull Down
				MSS_GPIO_12	1	IO		
				DMM13	2	I		
				MSS_EPWMB1	3	O		
				MSS_EPWMA1	4	O		
				MSS_MCANB_RX	5	I		
				MSS_GPIO_18	6	IO		
C17	—	PAD_BT	MSS_EPWM B0	TRACE_DATA_14	0	O	Output Disabled	Pull Down
				MSS_GPIO_13	1	IO		
				DMM14	2	I		
				MSS_EPWMC0	3	O		
				MSS_EPWMB0	4	O		
				MSS_GPIO_17	6	IO		
U8	—	PAD_BX	MSS_GPIO_17	MSS_GPIO_17	0	IO	Output Disabled	Pull Down
				MSS_MII_COL	1	I		
				MSS_RMII_REFCLK	2	IO		
				MSS_EPWMA1	6	O		
R8	—	PAD_BY	MSS_I2CA_SDA	MSS_GPIO_18	0	IO	Output Disabled	HiZ (Open drain)
				MSS_MII_CRIS	1	I		
				MSS_RMII_CRIS_DV	2	I		
				MSS_I2CA_SDA	3	IO		
				MSS_EPWMB1	6	O		
U9	U3	PAD_BZ	MSS_I2CA_SCL	MSS_GPIO_19	0	IO	Output Disabled	HiZ (Open drain)
				MSS_RMII_RXER	2	I		
				MSS_I2C_SCL	3	IO		
				MSS_EPWMC1	6	O		
R6	U9	PAD_CA	MSS_RGMII_TCTL	MSS_GPIO_20	0	IO	Output Disabled	Pull Down
				MSS_RMII_TXEN	2	O		
				MSS_RGMII_TCTL	3	O		
				MSS_EPWMA0	6	O		

BALL NUMBER 1		PAD NAME 8	BALL NAME 2	SIGNAL NAME 3	MODE 4 8	TYPE 5	BALL RESET STATE 6	PULL UP/DOWN TYPE 7
AWR2944P/AWR2944-ECO/AWR2944LC	AWR2E44P/AWR2E44-ECO/AWR2E44LC							
T7	T7	PAD_CB	MSS_RGMII_RCTL	MSS_GPIO_21	0	IO	Output Disabled	
				MSS_RGMII_RCTL	3	I		
				MSS_RMII_CRS_DV	4	I		
				MSS_UARTB_RX	5	IO		
				MSS_EPWMB0	6	O		
U4	T12	PAD_CC	MSS_RGMII_TD3	MSS_GPIO_22	0	IO	Output Disabled	Pull Down
				MSS_RGMII_TD3	3	O		
				MSS_UARTB_TX	5	IO		
				MSS_EPWMC0	6	O		
U6	R12	PAD_CD	MSS_RGMII_TD2	MSS_GPIO_23	0	IO	Output Disabled	Pull Down
				MSS_RGMII_TD2	3	O		
U5	U10	PAD_CE	MSS_RGMII_TD1	MSS_GPIO_24	0	IO	Output Disabled	Pull Down
				MSS_RMII_TXD1	2	O		
				MSS_RGMII_TD1	3	O		
U7	U7	PAD_CF	MSS_RGMII_TD0	MSS_GPIO_25	0	IO	Output Disabled	Pull Down
				MSS_RMII_TXD0	2	O		
				MSS_RGMII_TD0	3	O		
V3	T6	PAD_CG	MSS_RGMII_TCLK	MSS_GPIO_26	0	IO	Output Disabled	Pull Down
				MSS_RGMII_TCLK	3	O		
T9	T5	PAD_CH	MSS_RGMII_RCLK	MSS_GPIO_27	0	IO	Output Disabled	Pull Down
				MSS_RGMII_RCLK	3	I		
				MSS_RMII_REFCLK	4	IO		
U10	U5	PAD_CI	MSS_RGMII_RD3	MSS_GPIO_28	0	IO	Output Disabled	
				MSS_RGMII_RD3	3	I		
V5	T4	PAD_CJ	MSS_RGMII_RD2	MSS_GPIO_29	0	IO	Output Disabled	
				MSS_RGMII_RD2	3	I		
V4	U4	PAD_CK	MSS_RGMII_RD1	MSS_GPIO_30	0	IO	Output Disabled	
				MSS_RMII_RXD1	2	I		
				MSS_RGMII_RD1	3	I		
V6	T3	PAD_CL	MSS_RGMII_RD0	MSS_GPIO_31	0	IO	Output Disabled	
				MSS_RMII_RXD0	2	I		
				MSS_RGMII_RD0	3	I		
T5	T2	PAD_CM	MSS_MDIO_DATA	MSS_GPIO_30	0	IO	Output Disabled	Pull Up
				MSS_MDIO_DATA	1	IO		
R4	U2	PAD_CN	MSS_MDIO_CLK	MSS_GPIO_31	0	IO	Output Disabled	Pull Up
				MSS_MDIO_CLK	1	O		
U15	U17	PAD_CO	MSS_MIBSPIA_MOSI	MSS_GPIO_0	0	IO	Output Disabled	Pull Up
				MSS_MIBSPIA_MOSI	5	IO		

BALL NUMBER 1		PAD NAME 8	BALL NAME 2	SIGNAL NAME 3	MODE 4 8	TYPE 5	BALL RESET STATE 6	PULL UP/DOWN TYPE 7
AWR2944P/AWR2944-ECO/AWR2944LC	AWR2E44P/AWR2E44-ECO/AWR2E44LC							
U16	R18	PAD_CP	MSS_MIBSPI A_MISO	MSS_GPIO_1 MSS_MIBSPIA_MISO	0 5	IO IO	Output Disabled	Pull Up
T16	T18	PAD_CQ	MSS_MIBSPI A_CLK	MSS_GPIO_2 MSS_MIBSPIA_CLK	0 5	IO IO	Output Disabled	Pull Up
T15	U18	PAD_CR	MSS_MIBSPI A_CS0	MSS_GPIO_3 MSS_MIBSPIA_CS0	0 5	IO IO	Output Disabled	Pull Up
V17	—	PAD_CS	MSS_MIBSPI A_HOSTIRQ	MSS_GPIO_4	0	IO	Output Disabled	Pull Down
				MSS_GPIO_2	2	IO		
				MSS_GPIO_8	3	IO		
				MSS_MIBSPIA_HOSTIRQ	5	O		
				MSS_MIBSPIB_CS2	6	IO		
				MSS_GPIO_2	7	IO		
B16	A16	PAD_DA	MSS_UARTA _RX	MSS_GPIO_12	0	IO	Output Disabled	Pull Up
				MSS_CPTS0_TS_SYNC	1	O		
				MSS_GPIO_8	3	IO		
				MSS_UARTB_TX	4	IO		
				MSS_UARTA_RX	5	IO		
				DSS_UARTA_TX	6	IO		
C16	B17	PAD_DB	MSS_UARTA _TX	SOP[4]		During Power- up	Output Disabled	
				MSS_GPIO_13	0	IO		
				MSS_CPTS0_HW2TSPUSH	1	I		
				MSS_GPIO_9	3	IO		
				MSS_UARTB_RX	4	IO		
				MSS_UARTA_TX	5	IO		
				DSS_UARTA_RX	6	IO		
A15	A9	PAD_DC	MSS_GPIO_ 14	MSS_GPIO_14	0	IO	Output Disabled	Pull Up
				MSS_CPTS0_HW1TSPUSH	1	I		
				MSS_GPIO_10	3	IO		
				DSS_UARTA_TX	4	IO		
				MSS_UARTA_RX	6	IO		

AWR2944P, AWR2E44P, AWR2944-ECO, AWR2E44-ECO, AWR2944LC, AWR2E44LC
 SWRS318A – NOVEMBER 2024 – REVISED JUNE 2025

BALL NUMBER 1		PAD NAME 8	BALL NAME 2	SIGNAL NAME 3	MODE 4 8	TYPE 5	BALL RESET STATE 6	PULL UP/DOWN TYPE 7
AWR2944P/AWR2944-ECO/AWR2944LC	AWR2E44P/AWR2E44-ECO/AWR2E44LC							
B14	A8	PAD_DD	MSS_GPIO_15	MSS_GPIO_15	0	IO	Output	Pull Up
				DSS_UARTA_RX	1	IO	Disabled	
				MSS_GPIO_11	3	IO		
				MSS_UARTA_TX	6	IO		
A14	B7	PAD_DE	MSS_GPIO_0	SOP[3]	During Power-up	I	Output Disabled	
				MSS_GPIO_0	0	IO		
				DSS_UARTA_TX	1	IO		
				MSS_EPWMB_SYNCI	3	I		
				MSS_UARTA_TX	5	IO		
				MSS_UARTB_TX	6	IO		
				LVDS_VALID	8	O		
MSS_GPIO_31	12	IO						
B13	A7	PAD_DF	XREF_CLK0	MSS_GPIO_1	0	IO	Output Disabled	Pull Down
				XREF_CLK0	1	I		
				MSS_GPIO_8	3	IO		
				MCU_CLKOUT	6	O		
				MSS_GPIO_30	12	IO		
D11	—	PAD_DG	XREF_CLK1	MSS_GPIO_2	0	IO	Output Disabled	Pull Down
				XREF_CLK1	1	I		
				MSS_GPIO_9	3	IO		
				PMIC_CLKOUT	7	O		
				MSS_GPIO_29	12	IO		

The following list describes the table column headers:

1. **BALL NUMBER:** Ball numbers on the bottom side associated with each signal on the bottom.
2. **BALL NAME:** Mechanical name from package device (name is taken based on an example implementation).
3. **SIGNAL NAME:** Names of signals multiplexed on each ball (also notice that the name of the ball is the signal name in muxmode 0).
4. **MODE:** Multiplexing mode number: value written to PinMux Cntl register to select specific Signal name for this Ball number. Mode column has bit range value.
5. **TYPE:** Signal type and direction:
 - I = Input
 - O = Output
 - IO = Input or Output
6. **BALL RESET STATE:** The state of the terminal at power-on reset
7. **PULL UP/DOWN TYPE:** indicates the presence of an internal pullup or pulldown resistor. Pullup and pulldown resistors can be enabled or disabled via software.
 - Pull Up: Internal pullup
 - Pull Down: Internal pulldown
 - HiZ
8. Pin Mux Control Value maps to lower 4 bits of register.
9. There are some PADS that are not mapped to dedicated BGA PINs. These unused PADS need to be disabled in application

6.4 Signal Descriptions - Digital

Note

All digital IO pins of the device (except NERROR_OUT and WARM_RESET) are non-failsafe; hence, care needs to be taken that they are not driven externally without the VIO supply being present to the device.

Note

The GPIO state during the power supply ramp is not verified. In case the GPIO is used in the application where the state of the GPIO is critical, even when NRESET is low, a tri-state buffer can be used to isolate the GPIO output from the radar device and a pull resistor used to define the required state in the application. The NRESET signal to the radar device can be used to control the output enable (OE) of the tri-state buffer.

Note

ROM bootloader uses only B16 (MSS_UARTA_RX) and C16 (MSS_UARTA_TX) pins for flash programming. The recommendation is to use these pins while building the module.

Note

LVDS and Aurora interfaces are intended for debugging and development purposes, not for production use.

Note

RGMII/RMII/MII Ethernet is not supported on AWR2944LC and AWR2E44LC and corresponding pins are disabled.

Note

CSI2 RX is not supported on AWR2944LC and AWR2E44LC and corresponding pins are disabled.

Note

Aurora LVDS is not supported on AWR2944LC and AWR2E44LC and corresponding pins are disabled.

FUNCTION	SIGNAL NAME	PIN TYPE	DESCRIPTION	PIN NUMBER	
				AWR2944P/ AWR2944-ECO/ AWR2944LC	AWR2E44P/ AWR2E44-ECO/ AWR2E44LC
SPI Interface	MSS_MIBSPIA_CLK	IO	SPI Channel A - Clock	T16	T18
	MSS_MIBSPIA_MOSI	IO	SPI Channel A - Primary Out Secondary In	U15	U17
	MSS_MIBSPIA_MISO	IO	SPI Channel A - Primary In Secondary Out	U16	R18
	MSS_MIBSPIA_C \overline{S} 0	IO	SPI Channel A Chip Select	T15	U18
	MSS_MIBSPIA_HOSTIRQ	O	Out of Band Interrupt to an external host communicating over SPI	V16, V17	T16
	MSS_MIBSPIB_CLK	IO	SPI Channel B - Clock	T13, R10	T14, R2
	MSS_MIBSPIB_MOSI	IO	SPI Channel B - Primary Out Secondary In	V12, V11	T13, N2
	MSS_MIBSPIB_MISO	IO	SPI Channel B - Primary In Secondary Out	U13, U11	T15, P2
	MSS_MIBSPIB_C \overline{S} 0	IO	SPI Channel B Chip Select (Instance ID 0)	U14, U12	U15, T1
	MSS_MIBSPIB_C \overline{S} 1	IO	SPI Channel B Chip Select (Instance ID 1)	V16,A16,R14	T16, A10, T17
	MSS_MIBSPIB_C \overline{S} 2	IO	SPI Channel B Chip Select (Instance ID 2)	A16,V11,R14,V17	A10, N2, T17
CAN-FD	MSS_MCANA_RX	I	CAN-FD A (MCAN) Receive Signal	T13,R12,C14,F16,D16	T14, R1, B10, B19, B18
	MSS_MCANA_TX	O	CAN-FD A (MCAN) Transmit Signal	U14,T11,C12,E17,D17	U15, P1, B8, A19, C18
	MSS_MCANB_RX	I	CAN-FD B (MCAN) Receive Signal	V12,A17	T13, A17
	MSS_MCANB_TX	O	CAN-FD B (MCAN) Transmit Signal	U13,B17	T15, A15
UART (MSS)	MSS_UARTA_RX	IO	Main Subsystem - UART A Receive (For Flash programming)	T13,D13,F16,P17,B16,A15	T14, B9, B19, P20, A16, A9
	MSS_UARTA_TX	IO	Main Subsystem - UART A Transmit (For Flash programming)	U14,D15,E17,U17,C16,B14,A14	U15, B11, A19, T19, B17, A8, B7
	MSS_UARTB_TX	IO	Main Subsystem - UART B Receive	T13,U14,C12,D15,G15,E17,L15,U4,B16,A14	T14, U15, B8, B11, C20, A19, M19, T12, A16, B7
	MSS_UARTB_RX	IO	Main Subsystem - UART B Transmit	R17,F16,T7,C16	P19, B19, T7, B17
QSPI for Serial Flash	MSS_QSPI_0	IO	QSPI Data Line #0 (Used with Serial Data Flash)	U11	P2
	MSS_QSPI_1	I	QSPI Data Line #1 (Used with Serial Data Flash)	V11	N2
	MSS_QSPI_2	I	QSPI Data Line #2 (Used with Serial Data Flash)	T11	P1
	MSS_QSPI_3	I	QSPI Data Line #3 (Used with Serial Data Flash)	R12	R1
	MSS_QSPI_CLK	IO	QSPI clock (Used with Serial Data Flash)	R10	R2
	MSS_QSPI_C \overline{S}	O	QSPI chip select (Used with Serial Data Flash)	U12	T1

FUNCTION	SIGNAL NAME	PIN TYPE	DESCRIPTION	PIN NUMBER	
				AWR2944P/ AWR2944-ECO/ AWR2944LC	AWR2E44P/ AWR2E44-ECO/ AWR2E44LC
I2C interface	MSS_I2C_SDA	IO	I2C Clock	V12,E17,U17,R8	T13, A19, T19,
	MSS_I2C_SCL	IO	I2C Data	U13,F16,P17,U9	T15, B19, P20, U3
RS232 UART	MSS_RS232_RX	IO	Debug UART (Operates as Bus Primary) - Receive Signal	F16	B19
	MSS_RS232_TX	IO	Debug UART (Operates as Bus Primary) - Transmit Signal	E17	A19
PWM Module	MSS_EPWMA0	O	PWM Module 1 - Output A0	V12,R15,E17,E15,B17,R6	T13, R19, A19, A18, A15, U9
	MSS_EPWMA1	O	PWM Module 1 - Output A1	B15,T17,E17,C18,A17,U8	C17, N19, A19, A17
	MSS_EPWMA_SYNC_I	I	PWM Module 1 - Sync Input	A16,D17	A10, C18
	MSS_EPWMA_SYNC_O	O	PWM Module 1 - Sync Output	D16	B18
	MSS_EPWMB0	O	PWM Module 2 - Output B0	B15,U13,T17,R14,F16,E17,B17,C17,T7	C17, T15, N19, T17, B19, A19, A15, T7
	MSS_EPWMB1	O	PWM Module 2 - Output B1	R14,F16,A17,R8	T17, B19, A17
	MSS_EPWMB_SYNC_I	I	PWM Module 2 - Sync Input	T18,A14	M20, B7
	MSS_EPWMB_SYNC_O	O	PWM Module 2 - Sync Output	P16	L19
	MSS_EPWMC0	O	PWM Module 3 - Output C0	T13,F16,E15,C17,U4	T14, B19, A18, T12
	MSS_EPWMC1	O	PWM Module 3 - Output C1	C18,U9	U3
	MSS_EPWMC_SYNC_I	I	PWM Module 3 - Sync Input	P17	P20
	MSS_EPWMC_SYNC_O	O	PWM Module 3 - Sync Output	N15	N20
	MSS_EPWM_TZ0	I	PWM module Trip Signal 0	G15,J15	C20, K19
	MSS_EPWM_TZ1	I	PWM module Trip Signal 1	A16,M16	A10, J19
	MSS_EPWM_TZ2	I	PWM module Trip Signal 2	B15,L15	C17, M19
RGMII/RMII/MII Ethernet (1)	MSS_MII_COL	I	MSS Ethernet MII Collision Detect	U8	—
	MSS_MII_CRS	I	MSS Ethernet MII Carrier Sense	R8	—
	MSS_MII_RXER	I	MSS Ethernet MII Receive Error	U9	—
	MSS_MII_TXEN	O	MSS Ethernet MII Transmit Enable	R6	—
	MSS_MII_RXDV	I	MSS Ethernet MII Receive Data Valid	T7	—
	MSS_MII_TXD3	O	MSS Ethernet MII Transmit Data 3	U4	—
	MSS_MII_TXD2	O	MSS Ethernet MII Transmit Data 2	U6	—
	MSS_MII_TXD1	O	MSS Ethernet MII Transmit Data 1	U5	—

FUNCTION	SIGNAL NAME	PIN TYPE	DESCRIPTION	PIN NUMBER	
				AWR2944P/ AWR2944-ECO/ AWR2944LC	AWR2E44P/ AWR2E44-ECO/ AWR2E44LC
	MSS_MII_TXD0	O	MSS Ethernet MII Transmit Data 0	U7	—
	MSS_MII_TXCLK	I	MSS Ethernet MII Transmit Clock	V3	—
	MSS_MII_RXCLK	I	MSS Ethernet MII Receive Clock	T9	—
	MSS_MII_RXD3	I	MSS Ethernet MII Receive Data 3	U10	—
	MSS_MII_RXD2	I	MSS Ethernet MII Receive Data 2	V5	—
	MSS_MII_RXD1	I	MSS Ethernet MII Receive Data 1	V4	—
	MSS_MII_RXD0	I	MSS Ethernet MII Receive Data 0	V6	—
	MSS_RMII_REFCLK	IO	MSS Ethernet RMII Clock Input	U8,T9	T5
RGMII/RMII/MII Ethernet (1)	MSS_RMII_CRSDV	I	MSS Ethernet RMII Carrier Sense/Receive Data Valid	R8,T7	T7
	MSS_RMII_RXER	I	MSS Ethernet RMII Receive Error	U9	U3
	MSS_RMII_TXEN	O	MSS Ethernet RMII Transmit Enable	R6	U9
	MSS_RMII_TXD1	O	MSS Ethernet RMII Transmit Data 1	U5	U10
	MSS_RMII_TXD0	O	MSS Ethernet RMII Transmit Data 0	U7	U7
	MSS_RMII_RXD1	I	MSS Ethernet MII Receive Data 1	V4	U4
	MSS_RMII_RXD0	I	MSS Ethernet MII Receive Data 0	V6	T3
	MSS_RGMII_TCTL	O	MSS Ethernet RGMII Transmit Control	R6	U9
	MSS_RGMII_RCTL	I	MSS Ethernet RGMII Receive Control	T7	T7
	MSS_RGMII_TD3	O	MSS Ethernet RGMII Transmit Data 3	U4	T12
	MSS_RGMII_TD2	O	MSS Ethernet RGMII Transmit Data 2	U6	R12
	MSS_RGMII_TD1	O	MSS Ethernet RGMII Transmit Data 1	U5	U10
	MSS_RGMII_TD0	O	MSS Ethernet RGMII Transmit Data 0	U7	U7
	MSS_RGMII_TCLK	O	MSS Ethernet RGMII Transmit Clock	V3	T6
	MSS_RGMII_RCLK	I	MSS Ethernet RGMII Receive Clock	T9	T5
	MSS_RGMII_RD3	I	MSS Ethernet RGMII Receive Data 3	U10	U5

FUNCTION	SIGNAL NAME	PIN TYPE	DESCRIPTION	PIN NUMBER	
				AWR2944P/ AWR2944-ECO/ AWR2944LC	AWR2E44P/ AWR2E44-ECO/ AWR2E44LC
	MSS_RGMII_RD2	I	MSS Ethernet RGMII Receive Data 2	V5	T4
	MSS_RGMII_RD1	I	MSS Ethernet RGMII Receive Data 1	V4	U4
	MSS_RGMII_RD0	I	MSS Ethernet RGMII Receive Data 0	V6	T3
	MSS_MDIO_DATA	IO	MSS Ethernet Manage Data Input/Output data	T5	T2
	MSS_MDIO_CLK	O	MSS Ethernet Manage Data Input/Output Clock	R4	U2
	MSS_CPTS0_TS_SYNC	O	Ethernet Timestamp SYNC output	B16	A16
	MSS_CPTS0_HW2TSPUSH	I	Ethernet hardware Timestamp Inputs Pins	C16	B17
	MSS_CPTS0_HW1TSPUSH	I		A15	A9
Trace Signal	TRACE_DATA_0	O	Debug Trace Output - Data Line	U17	T19
	TRACE_DATA_1	O	Debug Trace Output - Data Line	P17	P20
	TRACE_DATA_2	O	Debug Trace Output - Data Line	T18	M20
	TRACE_DATA_3	O	Debug Trace Output - Data Line	N15	N20
	TRACE_DATA_4	O	Debug Trace Output - Data Line	P16	L19
	TRACE_DATA_5	O	Debug Trace Output - Data Line	L15	M19
	TRACE_DATA_6	O	Debug Trace Output - Data Line	M16	J19
	TRACE_DATA_7	O	Debug Trace Output - Data Line	J15	K19
	TRACE_DATA_8	O	Debug Trace Output - Data Line	D17	C18
	TRACE_DATA_9	O	Debug Trace Output - Data Line	D16	B18
	TRACE_DATA_10	O	Debug Trace Output - Data Line	E15	A18
	TRACE_DATA_11	O	Debug Trace Output - Data Line	C18	—
	TRACE_DATA_12	O	Debug Trace Output - Data Line	B17	A15
	TRACE_DATA_13	O	Debug Trace Output - Data Line	A17	A17
	TRACE_DATA_14	O	Debug Trace Output - Data Line	C17	—
	TRACE_CLK	O	Debug Trace Output - Clock	R15	B19, R19
	TRACE_CTL	O	Debug Trace Output - Control	T17	A19, N19

FUNCTION	SIGNAL NAME	PIN TYPE	DESCRIPTION	PIN NUMBER	
				AWR2944P/ AWR2944-ECO/ AWR2944LC	AWR2E44P/ AWR2E44-ECO/ AWR2E44LC
DMM Interface	DMM0	I	Debug Interface (Hardware In Loop) - Data Line	U17	T19
	DMM1	I	Debug Interface (Hardware In Loop) - Data Line	P17	P20
	DMM2	I	Debug Interface (Hardware In Loop) - Data Line	T18	M20
	DMM3	I	Debug Interface (Hardware In Loop) - Data Line	N15	N20
	DMM4	I	Debug Interface (Hardware In Loop) - Data Line	P16	L19
	DMM5	I	Debug Interface (Hardware In Loop) - Data Line	L15	M19
	DMM6	I	Debug Interface (Hardware In Loop) - Data Line	M16	J19
	DMM7	I	Debug Interface (Hardware In Loop) - Data Line	J15	K19
	DMM8	I	Debug Interface (Hardware In Loop) - Data Line	D17	C18
	DMM9	I	Debug Interface (Hardware In Loop) - Data Line	D16	B18
	DMM10	I	Debug Interface (Hardware In Loop) - Data Line	E15	A18
	DMM11	I	Debug Interface (Hardware In Loop) - Data Line	C18	—
	DMM12	I	Debug Interface (Hardware In Loop) - Data Line	B17	A15
	DMM13	I	Debug Interface (Hardware In Loop) - Data Line	C17	A17
	DMM_CLK	I	Debug Interface (Hardware In Loop) - Clock	R15	R19
	DMM_SYNC	I	Debug Interface (Hardware In Loop) - Sync	T17	N19
	DMM_MUX_IN	I	Debug Interface (Hardware In Loop) Mux Select between DMM1 and DMM2 (Two Instances)	A16,R17,R14	A10, P19, T17
	NDMM_EN	O	Debug Interface (Hardware In Loop) Enable - Active Low Signal	D15,E17	B11, A19

FUNCTION	SIGNAL NAME	PIN TYPE	DESCRIPTION	PIN NUMBER	
				AWR2944P/ AWR2944-ECO/ AWR2944LC	AWR2E44P/ AWR2E44-ECO/ AWR2E44LC
General-purpose I/Os	MSS_GPIO_0	IO	General-purpose I/O	B15,P17,U15,A14	C17, P20, U17, B7
	MSS_GPIO_1	IO	General-purpose I/O	A16,T18,U16,B13	A10, M20, R18, A7
	MSS_GPIO_2	IO	General-purpose I/O	G15,N15,T16,V17,D1 1	C20, N20, T18
	MSS_GPIO_3	IO	General-purpose I/O	P16,T15	L19, U18
	MSS_GPIO_4	IO	General-purpose I/O	U14,L15,V17	U15, M19
	MSS_GPIO_5	IO	General-purpose I/O	T13,M16	T14, J19
	MSS_GPIO_6	IO	General-purpose I/O	U12,J15	T1, K19
	MSS_GPIO_7	IO	General-purpose I/O	R10,D17	R2, C18
	MSS_GPIO_8	IO	General-purpose I/O	U11,T18,D16,V17,B1 6,B13	P2, M20, B18, A16, A7
	MSS_GPIO_9	IO	General-purpose I/O	V11,N15,E15,C16,D1 1	N2, N20, A18, B17
	MSS_GPIO_10	IO	General-purpose I/O	T11,M16,C18,A15	P1, J19, A9
	MSS_GPIO_11	IO	General-purpose I/O	R12,J15,B17,B14	R1, K19, A15, A8
	MSS_GPIO_12	IO	General-purpose I/O	V16,A17,B16	T16, A17, A16
	MSS_GPIO_13	IO	General-purpose I/O	B15,C17,C16	C17, B17
	MSS_GPIO_14	IO	General-purpose I/O	E17,A15	A19, A9
	MSS_GPIO_15	IO	General-purpose I/O	F16,B14	B19, A8
	MSS_GPIO_16	IO	General-purpose I/O	A16	A10
	MSS_GPIO_17	IO	General-purpose I/O	C12,C17,U8	B8
	MSS_GPIO_18	IO	General-purpose I/O	C14,A17,R8	B10, A17
	MSS_GPIO_19	IO	General-purpose I/O	B17,U9	A15, U3
	MSS_GPIO_20	IO	General-purpose I/O	C18,R6	U9
	MSS_GPIO_21	IO	General-purpose I/O	V12,E15,T7	T13, A18, T7
	MSS_GPIO_22	IO	General-purpose I/O	U13,D16,U4	T15, B18, T12
	MSS_GPIO_23	IO	General-purpose I/O	D13,D17,U6	B9, C18, R12
	MSS_GPIO_24	IO	General-purpose I/O	D15,J15,U5	B11, K19, U10
	MSS_GPIO_25	IO	General-purpose I/O	R15,M16,U7	R19, J19, U7
	MSS_GPIO_26	IO	General-purpose I/O	G15,L15,V3	C20, M19, T6
	MSS_GPIO_27	IO	General-purpose I/O	T17,P16,T9	N19, L19, T5
	MSS_GPIO_28	IO	General-purpose I/O	R17,N15,U10	P19, N20, U5
	MSS_GPIO_29	IO	General-purpose I/O	R14,T18,V5,D11	T17, M20, T4
	MSS_GPIO_30	IO	General-purpose I/O	P17,V4,T5,B13	P20, U4, T2, A7
	MSS_GPIO_31	IO	General-purpose I/O	U17,V6,R4,A14	T19, T3, U2, B7
UART (DSS)	DSS_UARTA_TX	IO	Debug UART Transmit [DSP]	U13,R10,J15,B16,A1 5,A14	—
	DSS_UARTA_RX	IO	Debug UART Receive [DSP]	D13,R17,C16,B14	—

FUNCTION	SIGNAL NAME	PIN TYPE	DESCRIPTION	PIN NUMBER	
				AWR2944P/ AWR2944-ECO/ AWR2944LC	AWR2E44P/ AWR2E44-ECO/ AWR2E44LC
Chirp/Frame signals	ADC_VALID	O	When high, indicating valid ADC samples	V16,T11,R12,R17	T16, P1, R1, P19
	CHIRP_START	O	Pulse signal indicating the start of each chirp	G15,T17	C20, N19
	CHIRP_END	O	Pulse signal indicating the end of each chirp	G15,T17	C20, N19
	FRAME_START	O	Pulse signal indicating the start of each frame	R15,G15,T17	R19, C20, N19
LVDS_VALID	LVDS_VALID	O	When high, indicating valid LVDS data	A16,R15,G15,T17,R14,E17,A14	A10, R19, C20, N19, T17, A19, B7
External clock out	MCU_CLKOUT	O	Programmable clock given out to external MCU or the processor	R15,B13	R19, A7
	PMIC_CLKOUT	O	Output Clock from the device for PMIC	B15,G15,T17,D11	C17, C20, N19
System Synchronization	SYNC_IN	I	Low frequency Synchronization signal input	R17	P19
	SYNC_OUT	O	Low Frequency Synchronization Signal output	A16,G15,R17,R14	A10, C20, P19, T17
Clock Output	OBS_CLKOUT	O	Observation Clock Output	R15,T17	R19, N19
	RCOSC_CLK	O	Internal RCOSC Clock Output	R14	T17
Reference Clock	XREF_CLK0	I	External reference input clock 0	B13	A7
	XREF_CLK1	I	External reference input clock 1	D11	—
JTAG	TCK	I	JTAG Test Clock	C12	B8
	TMS	IO	JTAG Test Mode Signal	C14	B10
	TDI	I	JTAG Test Data Input	D13	B9
	TDO	O	JTAG Test Data Output	D15	B11
UART (BSS)	BSS_UARTA_TX	O	Debug UART Transmit [Radar Block]	A16,T13,U14,C14,D15,F16,E17,M16	—
	BSS_UARTA_RX	I	Debug UART Receive [Radar Block]	C12,R15	—
Reset	WARM_RESET	IO	Open drain fail safe warm reset signal. Can be driven from PMIC for diagnostic or can be used as status signal that the device is going through reset.	B12	A6
Safety	NERROR_OUT	O	Open drain fail safe output signal. Connected to PMIC/ Processor/MCU to indicate that some severe criticality fault has happened. Recovery can be through reset.	C11	B6

FUNCTION	SIGNAL NAME	PIN TYPE	DESCRIPTION	PIN NUMBER	
				AWR2944P/ AWR2944-ECO/ AWR2944LC	AWR2E44P/ AWR2E44-ECO/ AWR2E44LC
Sense On power	SOP[0]	I	The SOP pins are driven externally (weak drive) and the mmWave device senses the state of these pins during boot up to decide the boot up mode. After boot the same pins have other functionality.	D15	B11
	SOP[1]	I		R14	T17
	SOP[2]	I		T17	N19
	SOP[3]	I		A14	B7
	SOP[4]	I	<ul style="list-style-type: none"> [SOP2 SOP1 SOP0] = [0 0 1] -> Functional QSPI load mode [SOP2 SOP1 SOP0] = [1 0 1] -> UART load mode [SOP2 SOP1 SOP0] = [0 1 1] -> debug and development mode The following configurations of SOP pins help decide the reference crystal frequency <ul style="list-style-type: none"> [SOP4 SOP3] = [0 0] -> 40MHz [SOP4 SOP3] = [1 1] -> 50MHz 	C16	B17
CSI2 RX ⁽¹⁾	CSI2_RX0M0	I	CSI2.0 Receiver #1, Negative Polarity, Lane 0	N18	K18
	CSI2_RX0P0	I	CSI2.0 Receiver #1, Positive Polarity, Lane 0	N17	K17
	CSI2_RX0CLKM	I	CSI2.0 Receiver #1, Clock Input, Negative Polarity	L18	H18
	CSI2_RX0CLKP	I	CSI2.0 Receiver #1, Clock Input, Positive Polarity	L17	H17
	CSI2_RX0M1	I	CSI2.0 Receiver #1, Negative Polarity, Lane 1	M18	J18
	CSI2_RX0P1	I	CSI2.0 Receiver #1, Positive Polarity, Lane 2	M17	J17
Aurora LVDS ⁽¹⁾	LVDS_TXM0	O	LVDS/Aurora Transmitter, Data Output, Lane 0	F18	D20
	LVDS_TXP0	O		F17	D19
	LVDS_TXM2_CLKM	O	LVDS Clock, Aurora Data Output - Lan 2	G18	E20
	LVDS_TXP2_CLKP	O		G17	E19
	LVDS_TXM3_FRCLKM	O	LVDS Frame Clock, Aurora Data Output - Lane 3	H18	G20
	LVDS_TXP3_FRCLKP	O		H17	G19
	LVDS_TXM1	O	LVDS/Aurora Transmitter, Data Output, Lane 1	J18	H20
	LVDS_TXP1	O		J17	H19

6.5 Signal Descriptions- Analog

INTERFACE	SIGNAL NAME	PIN TYPE	DESCRIPTION	BALL NO.	
				AWR2944P/AWR2944-ECO/AWR2944LC	AWR2E44P/AWR2E44-ECO/AWR2E44LC
Transmitters	TX1	O	Single ended transmitter 1 O/P	B3	Waveguide Launches
	TX2	O	Single ended transmitter 2 O/P	B5	Waveguide Launches
	TX3	O	Single ended transmitter 3 O/P	B7	Waveguide Launches
	TX4	O	Single ended transmitter 4 O/P	B9	Waveguide Launches
Receivers	RX1	I	Single ended receiver 1 I/P	M2	Waveguide Launches
	RX2	I	Single ended receiver 2 I/P	K2	Waveguide Launches
	RX3	I	Single ended receiver 3 I/P	H2	Waveguide Launches
	RX4	I	Single ended receiver 4 I/P	F2	Waveguide Launches
Reset	NRESET	I	Power on reset for chip. Active low. The NRESET needs to be pulled low for a minimum of 20 µsec for proper device reset.	H16	C19
Reference Oscillator	CLKP	I	In XTAL mode: Input for the reference crystal In External clock mode: Single ended input reference clock port	D1	E2
	CLKM	I	In XTAL mode: Feedback drive for the reference crystal In External clock mode: Connect this port to ground	B1	D1
Reference clock	OSC_CLKOUT	O	Reference clock output from clocking subsystem after cleanup PLL	A11	B1
	OSC_CLK_OUT_ETH	O	Reference clock to eliminate external oscillator for Ethernet PHY	B11	A2
Bandgap voltage	VBGAP	O	Device's Band Gap Reference Output	K4	J1

INTERFACE	SIGNAL NAME	PIN TYPE	DESCRIPTION	BALL NO.	
				AWR2944P/AWR2944-ECO/AWR2944LC	AWR2E44P/AWR2E44-ECO/AWR2E44LC
Power supply	VDD	Power	1.2V digital power supply	E12,E13,E14,F14,H14,J14,K14,L14,N6,N14,P6,P7,P9,P10,P11,P13,P14	A11,B20,M14,M15,M16,M18,N13,N15,N17,N18,P13,P15,P17,R14,R16,U8
	VDD_SRAM	Power	1.2V power rail for internal SRAM	V7	U11
	VNWA	Power	1.2V power rail for SRAM array back bias	V13	U16
	VIOIN	Power	I/O Supply (3.3V or 1.8V): All CMOS I/Os can operate on this supply	A13,B18,R18,V8,V15	A14,J20,T20,U14
	VIOIN_18	Power	1.8V supply for CMOS IO	D18,U18,V10	A12,L20,U12,U19
	VIOIN_18CLK	Power	1.8V supply for clock module	D9	A4
	VIN_18PM	Power	1.8V supply for PM module	R1	J2
	VIOIN_18LVDS	Power	1.8V supply for LVDS port	K17	F18,F19,F20,G18
	VIOIN_18CSI	Power	1.8V supply for CSI port	K18	—
VPP	Power	Voltage supply for fuse chain	U3	U6	

INTERFACE	SIGNAL NAME	PIN TYPE	DESCRIPTION	BALL NO.	
				AWR2944P/AWR2944-ECO/AWR2944LC	AWR2E44P/AWR2E44-ECO/AWR2E44LC
Power supply	VDDA_10RF1	Power	1V Analog and RF supply,VDDA_10RF1 and VDDA_10RF2 can be shorted on the board	M4	L1
	VDDA_10RF2	Power	1V Analog and RF supply	D6, D7	A5, B5
	VDDA_18BB	Power	1.8V Analog base band power supply	P1	M1
	VDDA_18VCO	Power	1.8V RF VCO supply	E4	H2
	VSS ⁽²⁾	Ground	Digital ground	A12,A18,E11,E18,F8,F9,F10,F11,F12,F13,G7,G8,G9,G10,G11,G12,G13,G14,H7,H8,H9,H10,H11,H12,H13,J7,J8,J9,J10,J11,J12,J13,K7,K8,K9,K10,K11,K12,K13,K16,L7,L8,L9,L10,L11,L12,L13,M7,M8,M9,M10,M11,M12,M13,M14,N7,N8,N9,N10,N11,N12,N13,P8,P12,P18,V2,V9,V14,V18	A13,A20,D17,D18,E17,E18,F17,G17,H12,J12,K20,L14,L16,L18,M12,P12,R20,U1,U13,U20
	VSSA ⁽³⁾	Ground	Analog ground	A1,A2,A4,A6,A8,A10,B2,B4,B6,B8,B10,C1,C2,C3,C4,C5,C6,C7,C8,C9,C10,D2,D3,E1,E2,E3,F3,F6,F7,G1,G2,G3,G6,H3,H6,J1,J2,J3,J6,K3,K6,L1,L2,L3,L6,M3,M6,N1,N2,N3,V1	A1,A2,A3,B2,B3,B4,B12,B13,B14,B15,B16,C1,C2,C3,C4,C5,C6,C7,C8,C9,C10,C11,C12,C16,D2,D3,D7,D8,D11,D12,D16,E1,E3,E7,E8,E11,E12,E13,E14,E15,E16,F1,F2,F3,F4,F5,F6,F7,F8,F11,F12,F13,F14,F15,F16,G3,G4,G5,G6,G8,G9,G10,G11,G12,G13,G16,H1,H3,H6,H7,H8,H9,H10,H11,H13,H16,J3,J6,J7,J11,J13,J16,K3,K6,K7,K11,K13,K14,K15,K16,L3,L4,L5,L6,L7,L8,L9,L10,L11,M3,M4,M5,M6,M7,M8,M9,M10,M11,N3,N7,N8,N11,P3,P7,P8,P11,R3,R4,R5,R6,R7,R8,R11,T8,T9,T10,T11
Internal LDO output/inputs	VOUT_14APLL	O	Internal LDO output	H4	G2
	VOUT_14SYNTH	O	Internal LDO output	G4	G1

INTERFACE	SIGNAL NAME	PIN TYPE	DESCRIPTION	BALL NO.	
				AWR2944P/AWR2944-ECO/AWR2944LC	AWR2E44P/AWR2E44-ECO/AWR2E44LC
General purpose ADC inputs for external voltage monitoring ⁽¹⁾	ADC1	IO	ADC Channel 1	P3	K2
	ADC2	IO	ADC Channel 2	P2	K1
	ADC3	IO	ADC Channel 3	R3	N1
	ADC4	IO	ADC Channel 4	R2	—
	ADC5	IO	ADC Channel 5	T3	M2
	ADC6	IO	ADC Channel 6	U2	L2
	ADC7	IO	ADC Channel 7	T1	—
	ADC8	IO	ADC Channel 8	T2	—
	ADC9	IO	ADC Channel 9	U1	—

- (1) For details, see [Section 8.4.3](#)
- (2) Corner BGAs are VSS and redundant, meaning if the BGAs fail the device still functions.
- (3) The VSSA BGAs around the launches are not redundant and are required for functionality.

7 Specifications

7.1 Absolute Maximum Ratings

over operating free-air temperature range (unless otherwise noted)^{(1) (2)}

PARAMETERS		MIN	MAX	UNIT
VDD	1.2V digital power supply	-0.5	1.4	V
VDD_SRAM	1.2V power rail for internal SRAM	-0.5	1.4	V
VNWA	1.2V power rail for SRAM array back bias	-0.5	1.4	V
VIOIN	I/O supply (3.3V or 1.8 V): All CMOS I/Os can operate on this supply.	-0.5	3.8	V
VIOIN_18	1.8V supply for CMOS IO	-0.5	2	V
VIOIN_18CLK	1.8V supply for clock module	-0.5	2	V
VIN_18PM	1.8V supply for the PM Module	-0.5	2	V
VIOIN_18CSI	1.8V supply for CSI2 port	-0.5	2	V
VIOIN_18LVDS	1.8V supply for LVDS port	-0.5	2	V
VDDA_10RF1	1V Analog and RF supply, VDDA_10RF1 and VDDA_10RF2 can be shorted on the board.	-0.5	1.4	V
VDDA_10RF2				
VDDA_18BB	1.8V Analog baseband power supply	-0.5	2	V
VDDA_18VCO supply	1.8V RF VCO supply	-0.5	2	V
RX1-4	Externally applied power on RF inputs		10	dBm
TX1-4	Externally applied power on RF outputs ⁽³⁾		10	dBm
TX1-4	Temperature Sensor Accuracy ⁽⁴⁾	±5		°C
Input and output voltage range	Dual-voltage LVCMOS inputs, 3.3V or 1.8V (Steady State)	-0.3V	VIOIN + 0.3	V
	Dual-voltage LVCMOS inputs, operated at 3.3 V/1.8 V (Transient Overshoot/Undershoot) or external oscillator input		VIOIN + 20% up to 20% of signal period	
CLKP, CLKM	Input ports for reference crystal	-0.5	2	V
Clamp current	Input or Output Voltages 0.3V above or below their respective power rails. Limit clamp current that flows through the internal diode protection cells of the I/O.	-20	20	mA
T _J	Operating junction temperature range	-40	140	°C
T _{STG}	Storage temperature range after soldered onto PC board	-55	150	°C

- (1) Stresses beyond those listed under *Absolute Maximum Ratings* can cause permanent damage to the device. These are stress ratings only, and functional operation of the device at these or any other conditions beyond those indicated under *Recommended Operating Conditions* is not implied. Exposure to absolute-maximum-rated conditions for extended periods can affect device reliability.
- (2) All voltage values are with respect to V_{SS}, unless otherwise noted.
- (3) This value is for an externally applied signal level on the TX. Additionally, a reflection coefficient up to Gamma= 1 can be applied on the TX output..
- (4) Average of TX temp sensor readings at 140C can be tightened to +/-3C.

7.2 ESD Ratings

			VALUE	UNIT
V _(ESD) Electrostatic discharge	Human-body model (HBM), per AEC Q100-002 ⁽¹⁾	All pins	±2000	V
		GPADC5, GPADC6	±350	
	Charged-device model (CDM), per AEC Q100-011	Corner pins	±750	
		All Other pins	±500	

- (1) AEC Q100-002 indicates that HBM stressing shall be in accordance with the ANSI/ESDA/JEDEC JS-001 specification.

7.3 Power-On Hours (POH)

JUNCTION TEMPERATURE (T _J) (1) (2)	OPERATING CONDITION	NOMINAL CVDD VOLTAGE (V)	POWER-ON HOURS [POH] (HOURS)
-40°C	50% duty cycle	1.2	1440 (6%)
75°C			4800 (20%)
95°C			15600 (65%)
130°C			1920 (8%)
140°C			240 (1%)

- (1) This information is provided solely for your convenience and does not extend or modify the warranty provided under TI's standard terms and conditions for TI semiconductor products.
- (2) The specified POH are applicable with max Tx output power settings using the default firmware gain tables. The specified POH would not be applicable, if the Tx gain table is overwritten using an API.

7.4 Recommended Operating Conditions

over operating free-air temperature range (unless otherwise noted)

		MIN	NOM	MAX	UNIT	
VDD	1.2V digital power supply	1.14	1.2	1.26	V	
VDD_SRAM	1.2V power rail for internal SRAM	1.14	1.2	1.26	V	
VNWA	1.2V power rail for SRAM array back bias	1.14	1.2	1.26	V	
VIOIN	I/O supply (3.3V or 1.8V): All CMOS I/Os can operate on this supply.	3.135	3.3	3.465	V	
VIOIN_18	1.8V supply for CMOS IO	1.71	1.8	1.89	V	
VIOIN_18CLK	1.8V supply for clock module	1.71	1.8	1.89	V	
VIN_18PM	1.8V supply for the PM module	1.71	1.8	1.89	V	
VIOIN_18CSI	1.8V supply for CSI2 port	1.71	1.8	1.89	V	
VIOIN_18LVDS	1.8V supply for LVDS port	1.71	1.8	1.89	V	
VDDA_10RF1	1V Analog and RF supply. VDDA_10RF1 and VDDA_10RF2 could be shorted on the board	0.95	1	1.05	V	
VDDA_10RF2						
VDDA_18BB	1.8-V Analog baseband power supply	1.71	1.8	1.89	V	
VDDA_18VCO	1.8V RF VCO supply	1.71	1.8	1.89	V	
V _{IH}	Voltage Input High (1.8V mode)	1.17	0.3 + VIOIN		V	
	Voltage Input High (3.3V mode)	2.25	0.3 + VIOIN			
V _{IL}	Voltage Input Low (1.8V mode)	-0.3	0.3*VIOIN		V	
	Voltage Input Low (3.3V mode)	-0.3	0.62			
V _{OH}	High-level output threshold (I _{OH} = 6 mA)	VIOIN – 450			mV	
V _{OL}	Low-level output threshold (I _{OL} = 6 mA)	450			mV	
NRESET SOP[4:0]	V _{IL} (1.8V Mode)	0.45			V	
	V _{IH} (1.8V Mode)	0.96				
	V _{IL} (3.3V Mode)	0.65				
	V _{IH} (3.3V Mode)	1.57				
T _J	Operating junction temperature range	-40			140	°C

7.5 VPP Specifications for One-Time Programmable (OTP) eFuses

This section specifies the operating conditions required for programming the OTP eFuses and is applicable only for high-security (HS) devices. During the process of writing the customer specific keys or other fields like Software version etc. in the efuse , the user needs to provide the VPP supply.

7.5.1 Recommended Operating Conditions for OTP eFuse Programming

PARAMETER	DESCRIPTION	MIN	NOM	MAX	UNIT
VPP	Supply voltage range for the eFuse ROM domain during normal operation	NC			
	Supply voltage range for the eFuse ROM domain during OTP programming ⁽¹⁾	1.65	1.7	1.75	V
I(VPP)		50			mA

(1) During normal operation, no voltage should be applied to VPP. This can be typically achieved by disabling the external regulator attached to the VPP terminal.

7.5.2 Hardware Requirements

The following hardware requirements must be met when programming keys in the OTP eFuses:

- The VPP power supply must be disabled when not programming OTP registers.

7.5.3 Impact to Your Hardware Warranty

You recognize and accept at your own risk that your use of eFuse permanently alters the TI device. You acknowledge that eFuse can fail due to incorrect operating conditions or programming sequence. Such a failure may render the TI device inoperable and TI will be unable to confirm the TI device conformed to TI device specifications prior to the attempted eFuse. CONSEQUENTLY, in these cases of faulty EFUSE programmability, TI WILL HAVE NO LIABILITY.

7.6 Power Supply Specifications

Table 7-1 describes the four required power rails which must be provided to the device from an external power supply. In the case when 1.8V LVCMOS IO is utilized, VIOIN is powered from a 1.8V rail and the 3.3V rail can be omitted, so only three rails must be provided. Also, depending on the power topology utilized, additional power supply filtering can be required for the RF 1.0V and baseband, clock and VCO 1.8V supplies to meet the required ripple specifications. This additional filtering results in separate supply power nets being generated from these four basic rails.

Table 7-1. Power Supply Rails Characteristics

SUPPLY VOLTAGE	DEVICE BLOCKS POWERED FROM THE SUPPLY	DEVICE POWER NETS
1.8 V	Synthesizer and APLL VCOs, crystal oscillator, IF Amplifier stages, ADC, CSI2, LVDS, LVCMOS IO	Input: VDDA_18VCO, VDDA_18CLK, VDDA_18PM, VDDA_18BB, VIOIN_18CSI, VIOIN_18LVDS, VIOIN_18 LDO Output: VOUT_14SYNTH, VOUT_14APLL
1.0 V	Power Amplifier, Low Noise Amplifier, Mixers and LO Distribution	Input: VDDA_10RF2, VDDA_10RF1
3.3 V (or 1.8 V for 1.8 V I/O mode)	LVCMOS IO	VIOIN
1.2 V	Core Digital and SRAM	VDD, VDD_SRAM, VNWA
1.7 V	Programming OTP eFuse (For secure devices)	VPP

The 1.0 V and 1.8 V power supply ripple specifications are mentioned in Table 7-2. The spur and ripple levels have a dB to dB relationship, for example, a 1dB increase in supply ripple leads to an approximately 1dB increase in spur level. Values quoted are rms levels for a sinusoidal input applied at the specified frequency.

Table 7-2. Ripple Specifications

FREQUENCY (kHz)	Spur Level (dBc)	RF RAIL	VCO/IF RAIL
		1 V (μV_{RMS})	1.8 V (μV_{RMS})
10	-85	22	10990
100	-95	8	1420
200	-98	6	730
500	-102	4	450
1000	-105	3	300
2000	-105	3	80
5000	-105	3	60
10000	-105	3	60
15000	-105	2	40
20000	-105	2	40

Power Supply Guidelines

The LP87745-Q1 Power Management IC (PMIC) is recommended for an integrated power solution for this device. This cost and space optimized solution is designed to power the radar sensor and its principal peripherals.

List of benefits when using LP87745-Q1 PMIC:

1. Full device performance entitlement as validated on TI Evaluation boards
2. Noise/Ripple performance that meets AWR noise/ripple performance specification
 - a. LP87745-Q1 has high switching frequency at 17.6MHz switching outside IF band & avoiding the LDOs helps with thermal performance at the system level and bypasses the need for 2nd stage LC filters to suppress the ripple and filter out the spurs.

b. Thermal dissipation does not affect RF performance

7.7 Power Consumption Summary

Table 7-3 and Table 7-4 summarize the power consumption at the power terminals for AWR2944P/AWR2E44P/AWR2944-ECO/AWR2E44-ECO.

Table 7-3. Maximum Current Ratings at Power Terminals

PARAMETER ⁽¹⁾	SUPPLY NAME	DESCRIPTION	MIN	TYP	MAX	UNIT
Current consumption	VDD, VDD_SRAM, VNWA	Total current drawn by all nodes driven by 1.2V rail			2000	mA
	VDDA_10RF1, VDDA_10RF2	Total current drawn by all nodes driven by 1V rail when all 4 transmitters are used			2300	
	VIOIN_18, VDDA_18CLK, VDDA_18PM, VIOIN_18CSI, VIOIN_18LVDS, VDDA_18BB, VDDA_18VCO	Total current drawn by all nodes driven by 1.8V rail			550	
	VIOIN	Total current drawn by all nodes driven by 3.3V rail			50 ⁽²⁾	

(1) The specified current values are at Max supply voltage level (Recommended Operating Conditions).

(2) The exact value will depend on the system use case and design.

Table 7-4. Average Power Consumption at Power Terminals

PARAMETER	CONDITION ⁽²⁾		DESCRIPTION	MIN	TYP ⁽¹⁾	MAX	UNIT
Average power consumption in single chip mode.	3TX, 4RX	25% duty cycle	Use Case: 76-77GHz chirps;		1.41	W	
		50% duty cycle	Regular mode, 37.5 Msps sampling rate, 25.6 ms frame periodicity, 256 chirps/frame, 2- μ s idle time, 50- μ s ramp end time, 7 μ s ADC start time and excess ramp time		2.07		
	4TX, 4RX	25% duty cycle	Activity of cores :		1.48		
		50% duty cycle	<ul style="list-style-type: none"> • 70% MSS R5F • 70% C66x DSP and HWA • 50% Arm M4F All the above cores under-clocked/ clock-gated during idle times); Ethernet is enabled for data transfer		2.21		

(1) The Power consumption numbers are for a typical usecase i.e. for a Nominal device at 25C ambient temperature and nominal voltage conditions.

(2) Frame duty cycle represents the ratio of Frame Active and Interframe time.

7.8 RF Specifications

Below RF specifications are measured over recommended operating conditions and with run time calibrations enabled (unless otherwise noted)

PARAMETER		MIN	TYP	MAX	UNIT
Receiver	Noise figure	AWR2944P	10.5		dB
		AWR2944-ECO/AWR2944LC	12		
		AWR2E44P ⁽¹⁾	11		
		AWR2E44-ECO/AWR2E44LC	12.5		
	1dB compression point (Out Of Band) ⁽²⁾		-10		dBm
	Maximum gain		46		dB
	Gain range		16		dB
	Gain step size		2		dB
	IF bandwidth ⁽³⁾			20	MHz
	ADC sampling rate			45	Msp/s
	ADC resolution		16		Bits
	Return loss (S11)		-10		dB
	Gain mismatch variation (over temperature)		±0.5		dB
Phase mismatch variation (over temperature)		±3		°	
Idle Channel Spurs		-90		dBFS	
Transmitter	Output power	AWR2944P	14		dBm
		AWR2944-ECO/AWR2944LC	13.5		
		AWR2E44P ⁽¹⁾	13.5		
		AWR2E44-ECO/AWR2E44LC	12.5		
	Phase shifter accuracy		±3		°
Amplitude noise		-145		dBc/Hz	
Clock subsystem	Frequency range	76		81	GHz
	Ramp rate			250 ⁽⁴⁾	MHz/μs
	Phase noise at 1MHz offset	76 to 77GHz (VCO1)		-96	
76 to 81GHz (VCO2) ⁽⁵⁾			-95		

- (1) FCCSP LOP variant will have 0.5dB degradation in Noise figure and output power due to launcher integration.
- (2) 1dB Compression Point (Out Of Band) is measured by feeding a continuous wave tone at 5% of the programmed HPF cut-off frequency (i.e. blocker tone). The compression point is determined by the blocker power that results in a 1dB compression of the blocker tone at the RX ADC.
- (3) The analog IF stages include a second order high pass filter that can be configured to the following -6dB corner frequencies:

Available HPF Corner Frequencies (kHz)
HPF
300, 350, 700, 1400

The filtering performed by the digital baseband chain is targeted to provide:

- Less than ±0.5dB pass-band ripple/droop, and
 - Better than 60dB anti-aliasing attenuation for any frequency that can alias back into the pass-band.
- (4) The max ramp rate depends on the PLL bandwidth configuration set using the "AWR_APLL_SYNTN_BW_CONTROL_SB" API. For more details, refer to the mmWave Radar Interface Control document.
 - (5) VCO2 supports a maximum continuous range of 4.5GHz. The supported range can span 76-80.5GHz or 76.5-81GHz through VCO2_RANGE_CONFIG in AWR_CAL_MON_FREQUENCY_* API.

Figure 7-1 shows variations of noise figure and in-band P1dB parameters with respect to receiver gain programmed plot for the AWR2944P device.

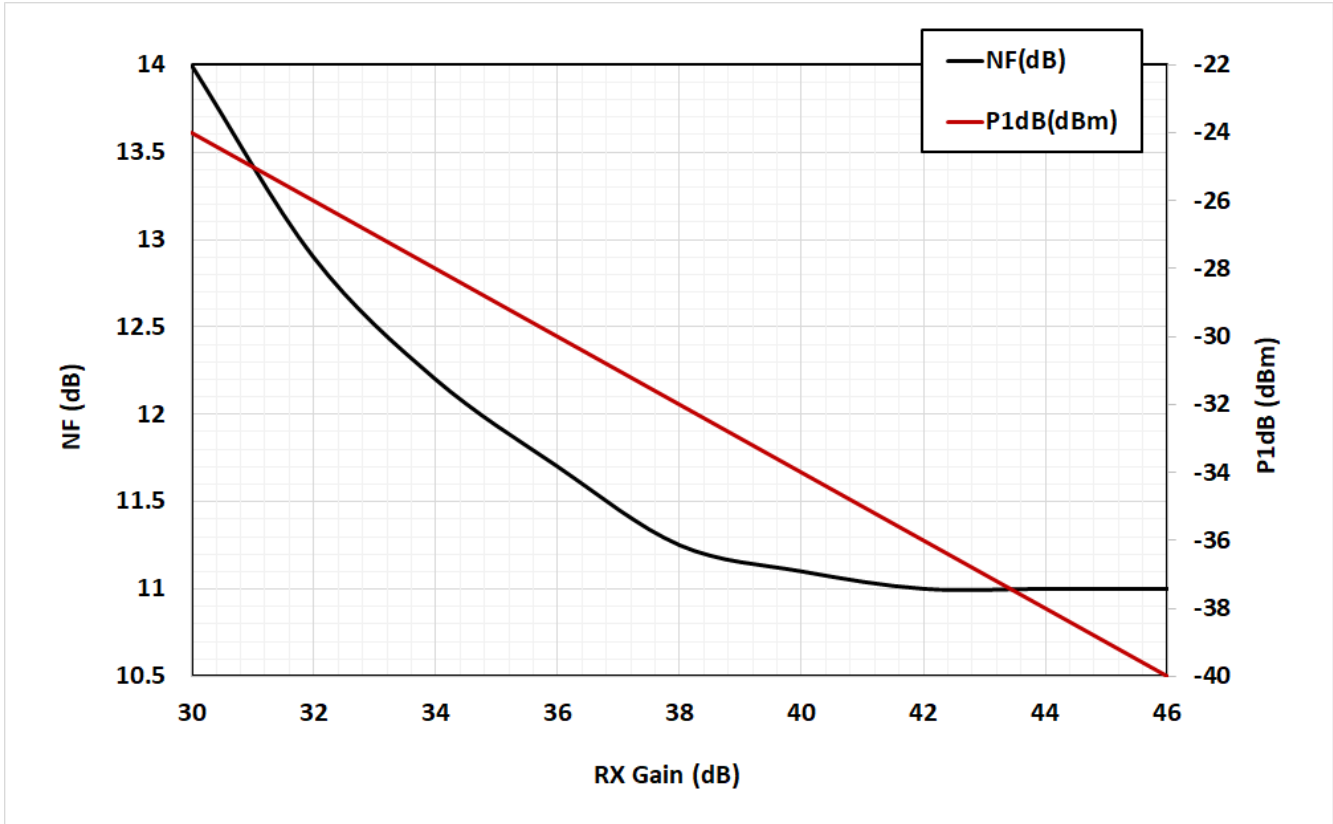


Figure 7-1. Noise Figure, In-band P1dB vs Receiver Gain

7.9 Thermal Resistance Characteristics

THERMAL METRICS ^{(1) (4)}		°C/W ^{(2) (3)}	
		AWR2944P/ AWR2944-ECO/ AWR2944LC	AWR2E44P/ AWR2E44-ECO/ AWR2E44LC
R θ_{JC}	Junction-to-case	2.8	2.5
R θ_{JB}	Junction-to-board	3.3	5.0
R θ_{JA}	Junction-to-free air	16.2	16.4
Ψ_{JC}	Junction-to-case	0.0	0.2
Ψ_{JB}	Junction-to-board	3.2	4.9

- (1) For more information about traditional and new thermal metrics, see [Semiconductor and IC Package Thermal Metrics](#).
- (2) °C/W = degrees Celsius per watt.
- (3) These values are based on a JEDEC-defined 2S2P system (with the exception of the [R θ_{JC}] value, which is based on a JEDEC-defined 1S0P system) and will change based on environment as well as application. For more information, see these EIA/JEDEC standards:
- JESD51-2, *Integrated Circuits Thermal Test Method Environmental Conditions - Natural Convection (Still Air)*
 - JESD51-3, *Low Effective Thermal Conductivity Test Board for Leaded Surface Mount Packages*
 - JESD51-7, *High Effective Thermal Conductivity Test Board for Leaded Surface Mount Packages*
 - JESD51-9, *Test Boards for Area Array Surface Mount Package Thermal Measurements*
- A junction temperature of 140°C is assumed.
- (4) Air flow = 0m/s

7.10 Power Supply Sequencing and Reset Timing

The AWR2944P/AWR2E44P device expects all external 1.2V, 1.8V and 3.3V voltage rails as well as all SOP[4:0] lines to be stable before NRESET is deasserted for a successful device boot up. IO state is not guaranteed until the VIOIN and VIOIN_18 supplies are available. Figure 7-2 describes the device wake-up sequence.

Note

Hardware platform must support supplying 1.7V on the VPP pin only during OTP eFuse programming.

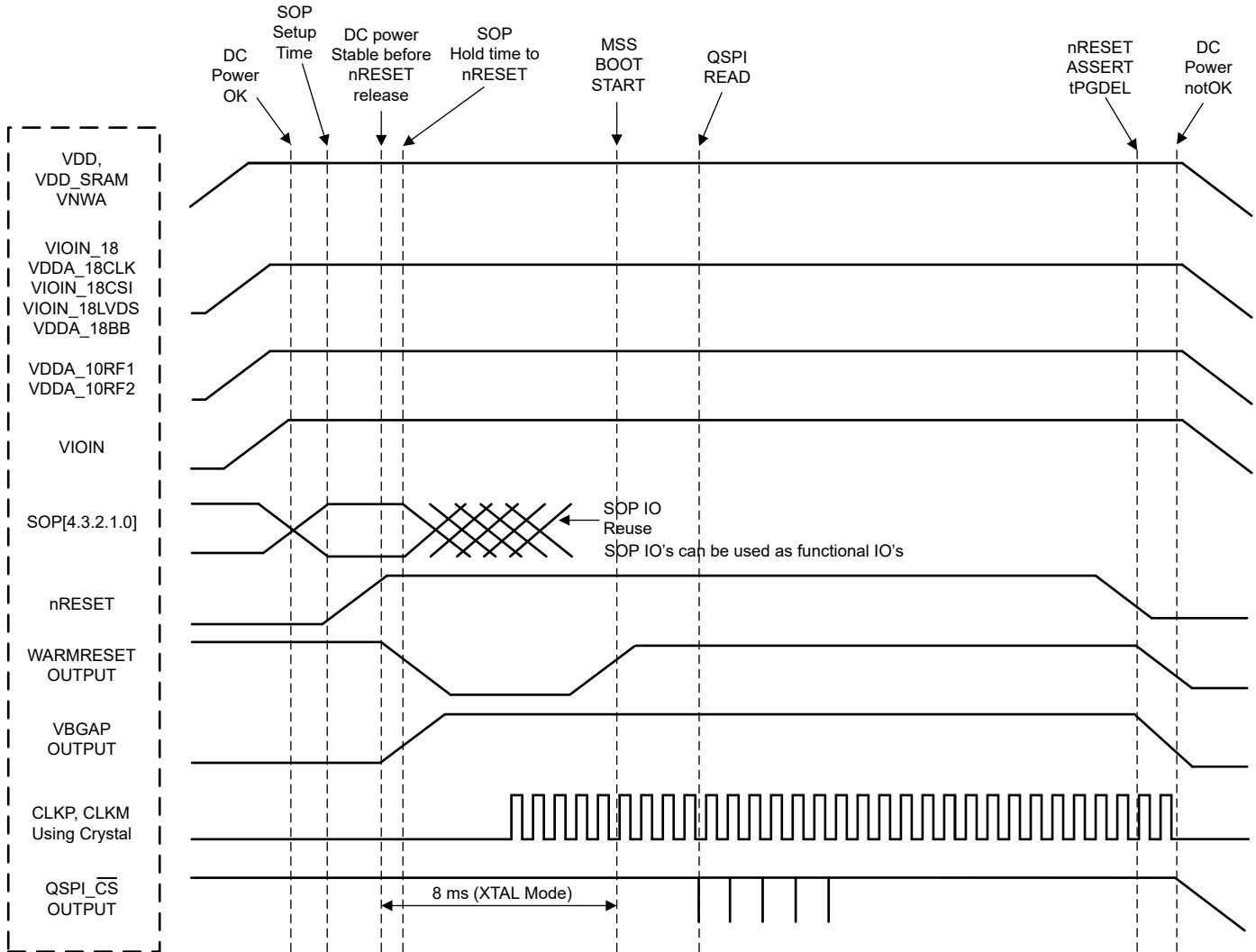


Figure 7-2. Device Wake-up Sequence

7.11 Input Clocks and Oscillators

7.11.1 Clock Specifications

An external crystal is connected to the device pins. Figure 7-3 shows the crystal implementation.

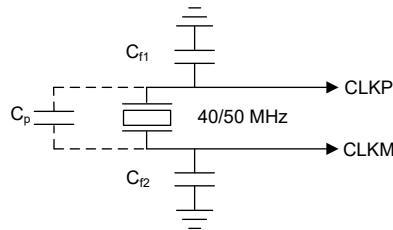


Figure 7-3. Crystal Implementation

Note

The load capacitors, C_{f1} and C_{f2} in Figure 7-3, can be chosen such that Equation 1 is satisfied. C_L in the equation is the load specified by the crystal manufacturer. All discrete components used to implement the oscillator circuit can be placed as close as possible to the associated oscillator CLKP and CLKM pins. Note that C_{f1} and C_{f2} include the parasitic capacitances due to PCB routing.

Note

The board routing parasitics between CLKP/CLKM pins also need to be included in the estimates of C_P

$$C_L = C_{f1} \times \frac{C_{f2}}{C_{f1} + C_{f2}} + C_P \quad (1)$$

Table 7-5 lists the electrical characteristics of the clock crystal.

Table 7-5. Crystal Electrical Characteristics (Oscillator Mode)

NAME	DESCRIPTION	MIN	TYP	MAX	UNIT
f_p	Parallel resonance crystal frequency		40	50	MHz
C_L	Crystal load capacitance	5	8	12	pF
ESR	Crystal ESR			50	Ω
Temperature range	Expected temperature range of operation	-40		140	$^{\circ}\text{C}$
Frequency tolerance	Crystal frequency tolerance ^{(1) (2)}	-100		100 ⁽³⁾	ppm
Drive level			50	200	μW

- (1) The crystal manufacturer's specification must satisfy this requirement.
- (2) Includes initial tolerance of the crystal, drift over temperature, aging and frequency pulling due to incorrect load capacitance.
- (3) For Ethernet operation, tighter specifications of less than 100 PPM frequency error is required. If the Ethernet interface is not used, a PPM error up to 200 PPM can be tolerated.

In the case where an external clock is used as the clock resource, the signal is fed to the CLKP pin only; CLKM is grounded. The phase noise requirement is very important when a 40/50MHz clock is fed externally. Table 7-6 lists the electrical characteristics of the external clock signal.

Table 7-6. External Clock Mode Specifications

PARAMETER		SPECIFICATION			UNIT
		MIN	TYP	MAX	
Input Clock: External AC-coupled sine wave or DC-coupled square wave Phase Noise referred to 40/50-MHz	Frequency		40	50	MHz
	AC-Amplitude	700		1200	mV (pp)
	DC-trise/fall			10	ns
	Phase Noise at 1kHz			-132	dBc/Hz
	Phase Noise at 10kHz			-143	dBc/Hz
	Phase Noise at 100kHz			-152	dBc/Hz
	Phase Noise at 1MHz			-153	dBc/Hz
	Duty Cycle	35		65	%
	Freq Tolerance	-100		100	ppm

7.12 Peripheral Information

Initial peripheral descriptions and features are provided in the following sections. Additional peripheral details and interface timing information shall be provided in a later product preview or data sheet release.

7.12.1 QSPI Flash Memory Peripheral

The device includes a Quad Serial Peripheral Interface for external flash memory access. Flash memory can be utilized for many purposes including: Secondary boot-loader memory, application program memory, security keys storage, and long-term data logs for security and error conditions.

The following features are supported by the QSPI Interface on the device:

- Loopback skew cancellation for clock signal to supported faster flash interface clock rates
- Two chip-select signals to connect two external flash devices
- Memory mapped 'direct' mode and software triggered 'indirect' mode of operation for performing flash data transfers

7.12.1.1 QSPI Timing Conditions

PARAMETER		MIN	TYP	MAX	UNIT
Input Conditions					
t_R	Input rise time	1		3	ns
t_F	Input fall time	1		3	ns
Output Conditions					
C_{LOAD}	Output load capacitance	5		15	pF

7.12.1.2 QSPI Timing Requirements ⁽¹⁾ ⁽²⁾

SPECIFICATION NUMBER	PARAMETER		MIN	TYP	MAX	UNIT
Q12	$t_{su(D-SCLK)}$	Setup time, D[3:0] valid before falling SCLK edge (Q12)	5			ns
Q13	$t_h(SCLK-D)$	Hold time, D[3:0] valid after falling SCLK edge (Q13)	1			ns

(1) Clock Mode 0 (clock polarity = 0 ; clock phase = 0) is the mode of operation.

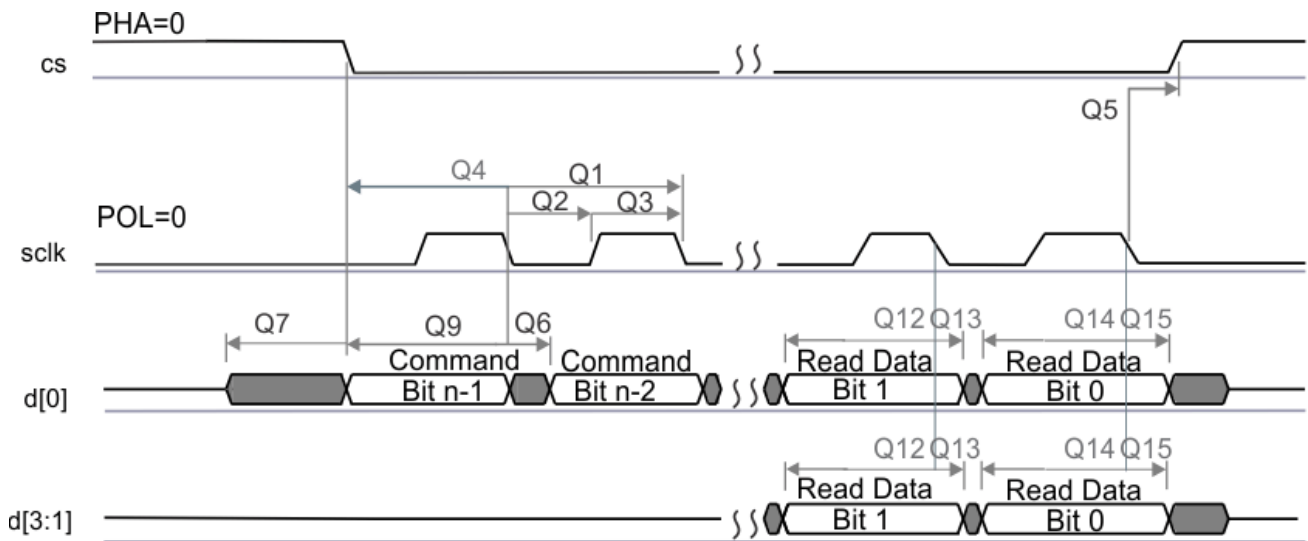
(2) The Device captures data on the falling clock edge in Clock Mode 0, as opposed to the traditional rising clock edge. Although nonstandard, The falling-edge-based setup and hold time timings have been designed to be compatible with standard SPI devices that launch data on the falling edge in Clock Mode 0.

7.12.1.3 QSPI Switching Characteristics ⁽¹⁾ ⁽²⁾

SPECIFICATION NUMBER	PARAMETER		MIN	TYP	MAX	UNIT
Q1	$t_c(SCLK)$	Cycle time, sclk	12.5			ns

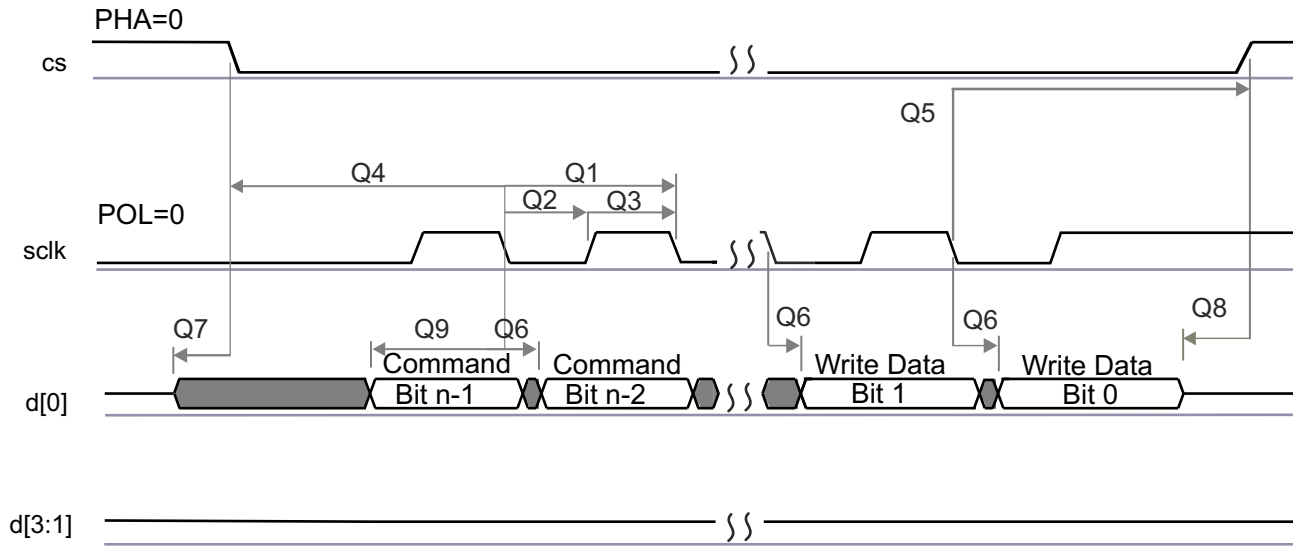
SPECIFICATION NUMBER	PARAMETER		MIN	TYP	MAX	UNIT
Q2	$t_{w(SCLKL)}$	Pulse duration, sclk low	$0.5 * P - 0.625$			ns
Q3	$t_{w(SCLKH)}$	Pulse duration, sclk high	$0.5 * P - 0.625$			ns
Q4	$t_{d(CS-SCLK)}$	Delay time, sclk falling edge to cs active edge	$-M * P - 1$		$-M * P + 2.5$	ns
Q5	$t_{d(SCLK-CS)}$	Delay time, sclk falling edge to cs inactive edge	$N * P - 1$		$N * P + 2.5$	ns
Q6	$t_{d(SCLK-D1)}$	Delay time, sclk falling edge to d[0] transition	-4.5		2	ns
Q7	$t_{ena(CS-D1LZ)}$	Enable time, cs active edge to d[0] driven (lo-z)	$-P - 4$		$-P + 1$	ns
Q8	$t_{dis(CS-D1Z)}$	Disable time, cs active edge to d[0] tri-stated (hi-z)	$-P - 4$		$-P + 1$	ns
Q9	$t_{d(SCLK-D1)}$	Delay time, sclk first falling edge to first d[1] transition (for PHA = 0 only)	$-4.5 - P$		$2 - P$	ns

- (1) P = SCLK period in ns.
 (2) M = QSPI_SPI_DC_REG.DDx + 1, N = 2



SPRS85v TIMING OSP11 02

Figure 7-4. QSPI Read (Clock Mode 0)



SPRS85v_TIMING_OSP11_04

Figure 7-5. QSPI Write (Clock Mode 0)

7.1.2.2 Multibuffered / Standard Serial Peripheral Interface (MibSPI)

7.1.2.2.1 MibSPI Peripheral Description

The MibSPI/SPI is a high-speed synchronous serial input/output port that allows a serial bit stream of programmed length (2 to 16 bits) to be shifted into and out of the device at a programmed bit-transfer rate. The device includes two, Multi-Buffered Serial Peripheral Interface (MIBSPI) in the Main subsystem (MSS). These are intended for external MCU, PMIC, EEPROM and Watchdog communication.

Standard and MibSPI modules have the following features:

- 16-bit shift register
- Receive buffer register
- 8-bit baud clock generator
- SPICLK can be internally-generated (Controller mode) or received from an external clock source (Peripheral mode)
- Maximum clock rate supported over each MIBSPI module shall be 40MHz.
- Each word transferred can have a unique format.
- SPI I/Os not used in the communication can be used as digital input/output signals

7.1.2.2.2 MibSPI Transmit and Receive RAM Organization

The Multibuffer RAM is comprised of 256 buffers. Each entry in the Multibuffer RAM consists of 4 parts: a 16-bit transmit field, a 16-bit receive field, a 16-bit control field and a 16-bit status field. The Multibuffer RAM can be partitioned into multiple transfer group with variable number of buffers each.

[Section 7.1.2.2.2](#) and [Section 7.1.2.2.3](#) assume the operating conditions stated in [Section 7.1.2.2.1](#).

7.1.2.2.1 SPI Timing Conditions

		MIN	TYP	MAX	UNIT
Input Conditions					
t_R	Input rise time	1		3	ns
t_F	Input fall time	1		3	ns
Output Conditions					
C_{LOAD}	Output load capacitance	2		20	pF

7.1.2.2.2 SPI Controller Mode Switching Parameters (CLOCK PHASE = 0, SPICLK = output, SPISIMO = output, and SPISOMI = input) ^{(1) (2) (3)}

NO.	PARAMETER		MIN	TYP	MAX	UNIT
1	$t_{c(SPC)M}$	Cycle time, SPICLK ⁽⁴⁾	20		$256t_{c(VCLK)}$	ns
2 ⁽⁴⁾	$t_{w(SPCH)M}$	Pulse duration, SPICLK high (clock polarity = 0)	$0.5t_{c(SPC)M} - 1$		$0.5t_{c(SPC)M} + 1$	ns
	$t_{w(SPCL)M}$	Pulse duration, SPICLK low (clock polarity = 1)	$0.5t_{c(SPC)M} - 1$		$0.5t_{c(SPC)M} + 1$	
3 ⁽⁴⁾	$t_{w(SPCL)M}$	Pulse duration, SPICLK low (clock polarity = 0)	$0.5t_{c(SPC)M} - 1$		$0.5t_{c(SPC)M} + 1$	ns
	$t_{w(SPCH)M}$	Pulse duration, SPICLK high (clock polarity = 1)	$0.5t_{c(SPC)M} - 1$		$0.5t_{c(SPC)M} + 1$	
4 ⁽⁴⁾	$t_{d(SPCH-SIMO)M}$	Delay time, SPISIMO valid before SPICLK low, (clock polarity = 0)	$0.5t_{c(SPC)M} - 7$			ns
	$t_{d(SPCL-SIMO)M}$	Delay time, SPISIMO valid before SPICLK high, (clock polarity = 1)	$0.5t_{c(SPC)M} - 7$			
5 ⁽⁴⁾	$t_{v(SPCL-SIMO)M}$	Valid time, SPISIMO data valid after SPICLK low, (clock polarity = 0)	$0.5t_{c(SPC)M} - 8$			ns
	$t_{v(SPCH-SIMO)M}$	Valid time, SPISIMO data valid after SPICLK high, (clock polarity = 1)	$0.5t_{c(SPC)M} - 8$			

NO.	PARAMETER		MIN	TYP	MAX	UNIT
6 ⁽⁵⁾	t _{C2TDELAY}	Setup time CS active until SPICLK high (clock polarity = 0)	CSHOLD = 0	$(C2TDELAY+2) \cdot t_{c(VCLK)} - 7.5$	$(C2TDELAY+2) \cdot t_{c(VCLK)} + 7$	ns
			CSHOLD = 1	$(C2TDELAY + 3) \cdot t_{c(VCLK)} - 7.5$	$(C2TDELAY+3) \cdot t_{c(VCLK)} + 7$	
		Setup time CS active until SPICLK low (clock polarity = 1)	CSHOLD = 0	$(C2TDELAY+2) \cdot t_{c(VCLK)} - 7.5$	$(C2TDELAY+2) \cdot t_{c(VCLK)} + 7$	
			CSHOLD = 1	$(C2TDELAY + 3) \cdot t_{c(VCLK)} - 7.5$	$(C2TDELAY+3) \cdot t_{c(VCLK)} + 7$	
7 ⁽⁵⁾	t _{T2CDELAY}	Hold time, SPICLK low until CS inactive (clock polarity = 0)	$0.5 \cdot t_{c(SPC)M} + (T2CDELAY + 1) \cdot t_{c(VCLK)} - 7$	$0.5 \cdot t_{c(SPC)M} + (T2CDELAY + 1) \cdot t_{c(VCLK)} + 7.5$	ns	
		Hold time, SPICLK high until CS inactive (clock polarity = 1)	$0.5 \cdot t_{c(SPC)M} + (T2CDELAY + 1) \cdot t_{c(VCLK)} - 7$	$0.5 \cdot t_{c(SPC)M} + (T2CDELAY + 1) \cdot t_{c(VCLK)} + 7.5$		
8 ⁽⁴⁾	t _{su(SOMI-SPCL)M}	Setup time, SPISOMI before SPICLK low (clock polarity = 0)	5		ns	
	t _{su(SOMI-SPCH)M}	Setup time, SPISOMI before SPICLK high (clock polarity = 1)	5			
9 ⁽⁴⁾	t _{h(SPCL-SOMI)M}	Hold time, SPISOMI data valid after SPICLK low (clock polarity = 0)	2		ns	
	t _{h(SPCH-SOMI)M}	Hold time, SPISOMI data valid after SPICLK high (clock polarity = 1)	2			

- (1) The Controller bit (SPIGRx.0) is set and the CLOCK PHASE bit (SPIFMTx.16) is cleared (where x = 0 or 1).
- (2) $t_{c(MSS_VCLK)} = \text{main subsystem clock time} = 1 / f_{(MSS_VCLK)}$. For more details, refer to the device Technical Reference Manual.
- (3) When the SPI is in controller mode, the following must be true: For PS values from 1 to 255: $t_{c(SPC)M} \geq (PS + 1) \cdot t_{c(MSS_VCLK)} \geq 25\text{ns}$, where PS is the prescale value set in the SPIFMTx.[15:8] register bits. For PS values of 0: $t_{c(SPC)M} = 2 \cdot t_{c(MSS_VCLK)} \geq 25\text{ns}$.
- (4) The active edge of the SPICLK signal referenced is controlled by the CLOCK POLARITY bit (SPIFMTx.17).
- (5) C2TDELAY and T2CDELAY is programmed in the SPIDELAY register

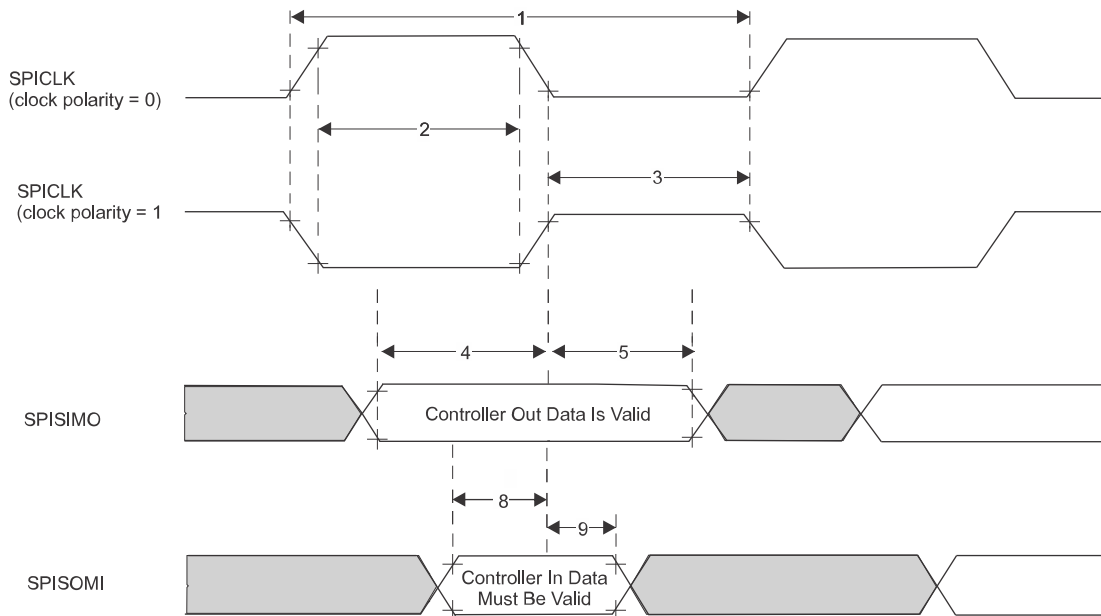


Figure 7-6. SPI Controller Mode External Timing (CLOCK PHASE = 0)

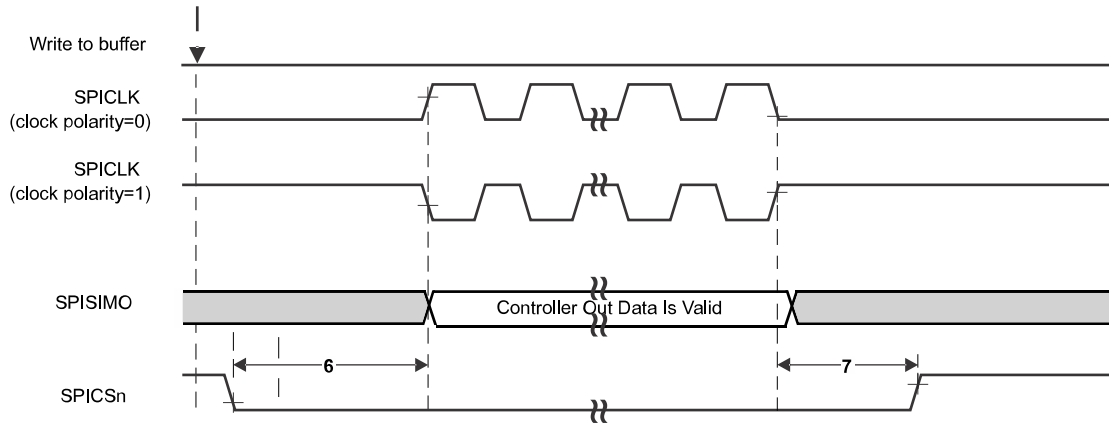


Figure 7-7. SPI Controller Mode Chip Select Timing (CLOCK PHASE = 0)

7.12.2.2.3 SPI Controller Mode Switching Parameters (CLOCK PHASE = 1, SPICLK = output, SPISIMO = output, and SPISOMI = input) (1) (2) (3)

NO.	PARAMETER		MIN	TYP	MAX	UNIT
1	$t_{c(SPC)M}$	Cycle time, SPICLK ⁽⁴⁾	20		$256t_{c(VCLK)}$	ns
2 ⁽⁴⁾	$t_{w(SPCH)M}$	Pulse duration, SPICLK high (clock polarity = 0)	$0.5t_{c(SPC)M} - 1$		$0.5t_{c(SPC)M} + 1$	ns
	$t_{w(SPCL)M}$	Pulse duration, SPICLK low (clock polarity = 1)	$0.5t_{c(SPC)M} - 1$		$0.5t_{c(SPC)M} + 1$	
3 ⁽⁴⁾	$t_{w(SPCL)M}$	Pulse duration, SPICLK low (clock polarity = 0)	$0.5t_{c(SPC)M} - 1$		$0.5t_{c(SPC)M} + 1$	ns
	$t_{w(SPCH)M}$	Pulse duration, SPICLK high (clock polarity = 1)	$0.5t_{c(SPC)M} - 1$		$0.5t_{c(SPC)M} + 1$	
4 ⁽⁴⁾	$t_{d(SPCH-SIMO)M}$	Delay time, SPISIMO valid before SPICLK low, (clock polarity = 0)	$0.5t_{c(SPC)M} - 7$			ns
	$t_{d(SPCL-SIMO)M}$	Delay time, SPISIMO valid before SPICLK high, (clock polarity = 1)	$0.5t_{c(SPC)M} - 7$			
5 ⁽⁴⁾	$t_{v(SPCL-SIMO)M}$	Valid time, SPISIMO data valid after SPICLK low, (clock polarity = 0)	$0.5t_{c(SPC)M} - 8$			ns
	$t_{v(SPCH-SIMO)M}$	Valid time, SPISIMO data valid after SPICLK high, (clock polarity = 1)	$0.5t_{c(SPC)M} - 8$			
6 ⁽⁵⁾	$t_{C2TDELAY}$	Setup time CS active until SPICLK high (clock polarity = 0)	CSHOLD = 0	$0.5 * t_{c(SPC)M} + (C2TDELAY + 2) * t_{c(VCLK)} - 7$	$0.5 * t_{c(SPC)M} + (C2TDELAY + 2) * t_{c(VCLK)} + 7.5$	ns
			CSHOLD = 1	$0.5 * t_{c(SPC)M} + (C2TDELAY + 2) * t_{c(VCLK)} - 7$	$0.5 * t_{c(SPC)M} + (C2TDELAY + 2) * t_{c(VCLK)} + 7.5$	
	Setup time CS active until SPICLK low (clock polarity = 1)	CSHOLD = 0	$0.5 * t_{c(SPC)M} + (C2TDELAY + 2) * t_{c(VCLK)} - 7$	$0.5 * t_{c(SPC)M} + (C2TDELAY + 2) * t_{c(VCLK)} + 7.5$		
		CSHOLD = 1	$0.5 * t_{c(SPC)M} + (C2TDELAY + 3) * t_{c(VCLK)} - 7$	$0.5 * t_{c(SPC)M} + (C2TDELAY + 3) * t_{c(VCLK)} + 7.5$		
7 ⁽⁵⁾	$t_{T2CDELAY}$	Hold time, SPICLK low until CS inactive (clock polarity = 0)	$(T2CDELAY + 1) * t_{c(VCLK)} - 7.5$	$(T2CDELAY + 1) * t_{c(VCLK)} + 7$	ns	
		Hold time, SPICLK high until CS inactive (clock polarity = 1)	$(T2CDELAY + 1) * t_{c(VCLK)} - 7.5$	$(T2CDELAY + 1) * t_{c(VCLK)} + 7$		
8 ⁽⁴⁾	$t_{su(SOMI-SPCL)M}$	Setup time, SPISOMI before SPICLK low (clock polarity = 0)	5			ns
	$t_{su(SOMI-SPCH)M}$	Setup time, SPISOMI before SPICLK high (clock polarity = 1)	5			
9 ⁽⁴⁾	$t_{h(SPCL-SOMI)M}$	Hold time, SPISOMI data valid after SPICLK low (clock polarity = 0)	2			ns
	$t_{h(SPCH-SOMI)M}$	Hold time, SPISOMI data valid after SPICLK high (clock polarity = 1)	2			

(1) The Controller bit (SPIGCRx.0) is set and the CLOCK PHASE bit (SPIFMTx.16) is set (where x = 0 or 1).

(2) $t_{c(MSS_VCLK)}$ = main subsystem clock time = $1 / f_{(MSS_VCLK)}$. For more details, refer to the device Technical Reference Manual.

(3) When the SPI is in Controller mode, the following must be true: For PS values from 1 to 255: $t_{c(SPC)M} \geq (PS + 1)t_{c(MSS_VCLK)} \geq 25$ ns, where PS is the prescale value set in the SPIFMTx.[15:8] register bits. For PS values of 0: $t_{c(SPC)M} = 2t_{c(MSS_VCLK)} \geq 25$ ns.

(4) The active edge of the SPICLK signal referenced is controlled by the CLOCK POLARITY bit (SPIFMTx.17).

(5) C2TDELAY and T2CDELAY is programmed in the SPIDELAY register

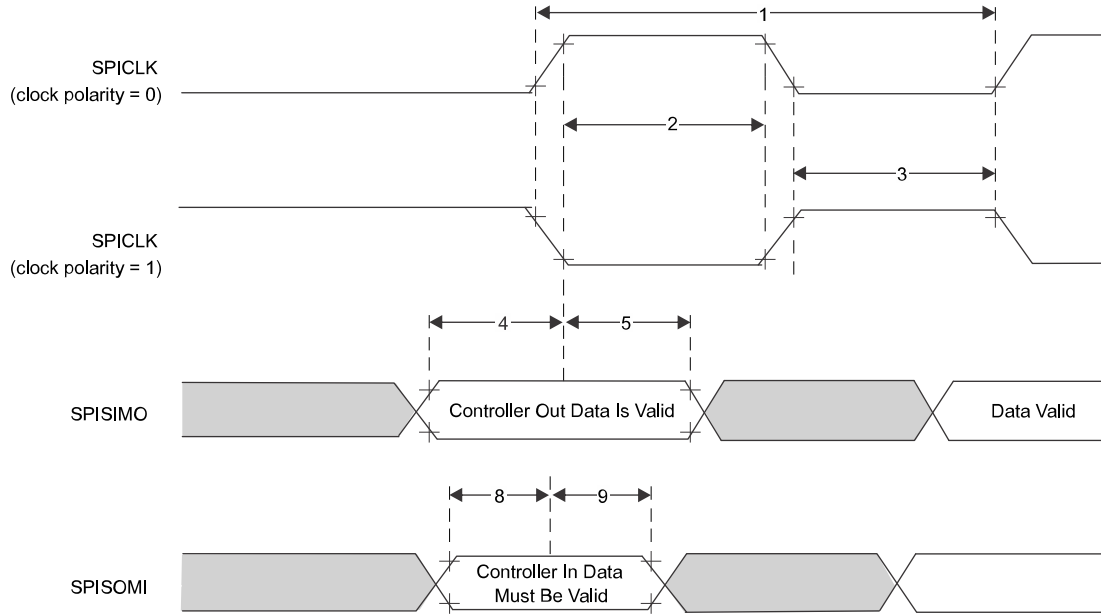


Figure 7-8. SPI Controller Mode External Timing (CLOCK PHASE = 1)

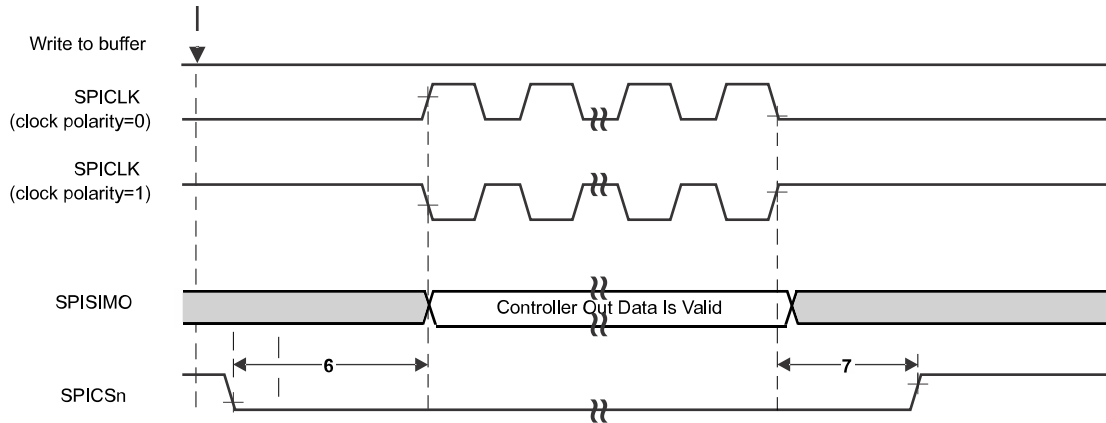


Figure 7-9. SPI Controller Mode Chip Select Timing (CLOCK PHASE = 1)

7.12.2.3 SPI Peripheral Mode I/O Timings

7.12.2.3.1 SPI Peripheral Mode Switching Parameters (SPICLK = input, SPISIMO = input, and SPISOMI = output) ^{(1) (2) (3)}

SPECIFICATION NUMBER	PARAMETER ⁽⁵⁾		MIN	TYP	MAX	UNIT
1	$t_{c(SPC)S}$	Cycle time, SPICLK ⁽⁴⁾	20			ns
2	$t_{w(SPCH)S}$	Pulse duration, SPICLK high (clock polarity = 0)	8			ns
	$t_{w(SPCL)S}$	Pulse duration, SPICLK low (clock polarity = 1)	8			
3	$t_{w(SPCL)S}$	Pulse duration, SPICLK low (clock polarity = 0)	8			ns
	$t_{w(SPCH)S}$	Pulse duration, SPICLK high (clock polarity = 1)	8			
4	$t_{d(SPCH-SOMI)S}$	Delay time, SPISOMI valid after SPICLK high (clock polarity = 0; clock phase = 0) OR (clock polarity = 1; clock phase = 1)			10	ns
	$t_{d(SPCL-SOMI)S}$	Delay time, SPISOMI valid after SPICLK low (clock polarity = 1; clock phase = 0) OR (clock polarity = 0; clock phase = 1)			10	
5	$t_{h(SPCH-SOMI)S}$	Hold time, SPISOMI data valid after SPICLK high (clock polarity = 0; clock phase = 0) OR (clock polarity = 1; clock phase = 1)	2			ns
	$t_{h(SPCL-SOMI)S}$	Hold time, SPISOMI data valid after SPICLK low (clock polarity = 1; clock phase = 0) OR (clock polarity = 0; clock phase = 1)	2			
6	$t_{su(SIMO-SPCL)S}$	Setup time, SPISIMO before SPICLK low (clock polarity = 0; clock phase = 0) OR (clock polarity = 1; clock phase = 1)	2.1			ns
	$t_{su(SIMO-SPCH)S}$	Setup time, SPISIMO before SPICLK high (clock polarity = 1; clock phase = 0) OR (clock polarity = 0; clock phase = 1)	2.1			
7	$t_{h(SPCL-SIMO)S}$	Hold time, SPISIMO data valid after SPICLK low (clock polarity = 0; clock phase = 0) OR (clock polarity = 1; clock phase = 1)	1			ns
	$t_{h(SPCL-SIMO)S}$	Hold time, SPISIMO data valid after SPICLK high (clock polarity = 1; clock phase = 0) OR (clock polarity = 0; clock phase = 1)	1			

- (1) The Controller bit (SPIGCRx.0) is cleared (where x = 0 or 1).
- (2) The CLOCK PHASE bit (SPIFMTx.16) is either cleared or set for CLOCK PHASE = 0 or CLOCK PHASE = 1 respectively.
- (3) $t_{c(MSS_VCLK)}$ = main subsystem clock time = $1 / f_{(MSS_VCLK)}$. For more details, refer to the device Technical Reference Manual.
- (4) When the SPI is in Peripheral mode, the following must be true: For PS values from 1 to 255: $t_{c(SPC)S} \geq (PS + 1)t_{c(MSS_VCLK)} \geq 25$ ns, where PS is the prescale value set in the SPIFMTx.[15:8] register bits. For PS values of 0: $t_{c(SPC)S} = 2t_{c(MSS_VCLK)} \geq 25$ ns.
- (5) The active edge of the SPICLK signal referenced is controlled by the CLOCK POLARITY bit (SPIFMTx.17).

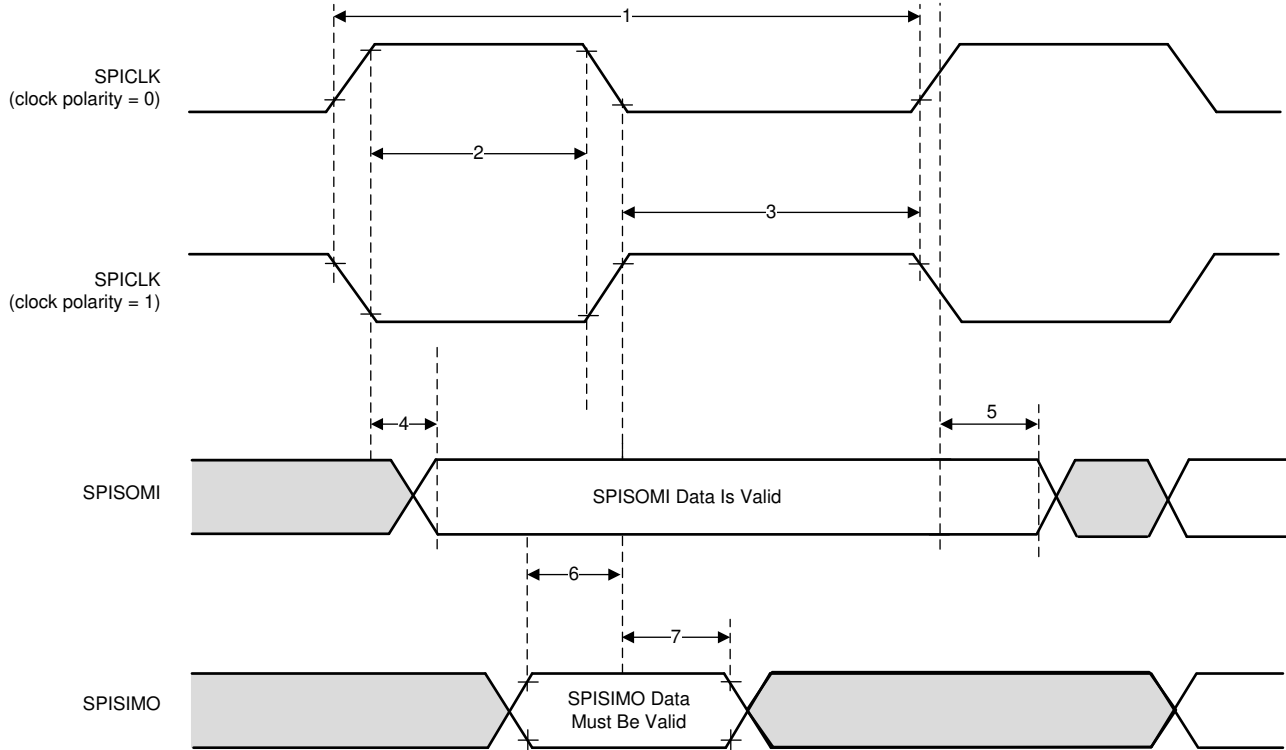


Figure 7-10. SPI Peripheral Mode External Timing (CLOCK PHASE = 0)

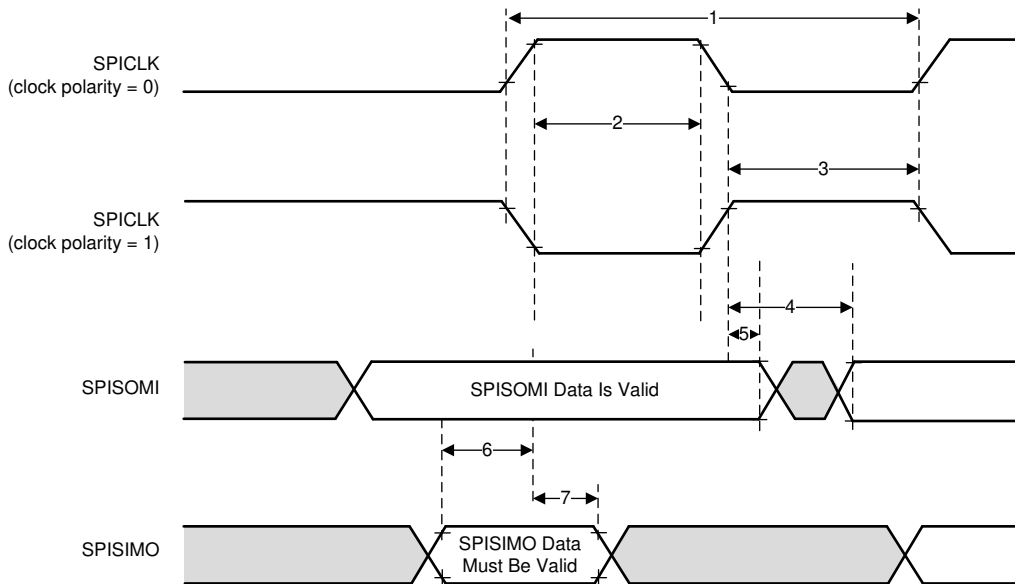


Figure 7-11. SPI Peripheral Mode External Timing (CLOCK PHASE = 1)

7.12.3 Ethernet Switch (RGMII/RMII/MII) Peripheral

Note

AWR2944LC and AWR2E44LC do not support Ethernet Switch (RGMII/RMII/MII) Peripheral.

The device integrates a two port Ethernet with one external RGMII/RMII/MII port and another port servicing the Main Sub-System (MSS). This interface is intended to operate primarily as a 1000Mbps ECU interface. It can also be used as an instrumentation interface.

- Full Duplex 10/100/1000Mbps wire rate interface to Ethernet PHY
 - AWR2944P: over RGMII, or RMII, or MII parallel interface
 - AWR2E44P: over RGMII, or RMII parallel interface
- Full Duplex 10/100Mbps wire rate interface to Ethernet PHY on the ECO variant
 - AWR2944-ECO: over RGMII, or RMII, or MII parallel interface
 - AWR2E44-ECO: over RGMII, or RMII parallel interface
- MDIO Clause 22 and 45 PHY management interface
- IEEE 1588 Synchronous Ethernet support
- AWR synchronous trigger output allowing Ethernet to trigger radar frames

7.12.3.1 RGMII/RMII/MII Timing Conditions

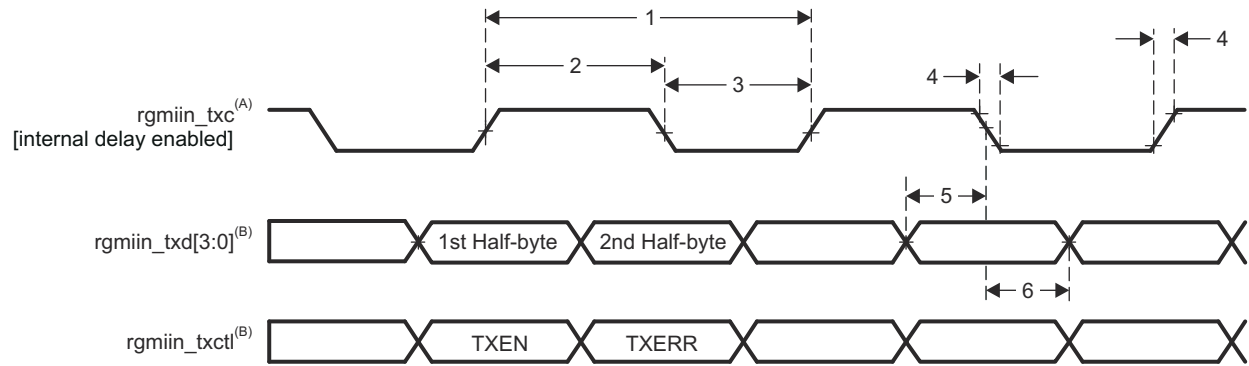
SPECIFICATION NUMBER	PARAMETER	MIN	TYP	MAX	UNIT
Input Conditions					
1	SR _I Input Slew Rate	2.64		5	V/ns
Output Conditions					
3	C _{LOAD} Output load capacitance	2		20	pF

7.12.3.1.1 RGMII Transmit Clock Switching Characteristics

PARAMETER	DESCRIPTION	SPEED	MIN	MAX	UNIT
t _c (TXC)	Cycle time, rgmiin_txc	10Mbps	360	440	ns
		100Mbps	36	44	ns
		1000Mbps	7.6	8.4	ns
t _w (TXCH)	Pulse duration, rgmiin_txc high	10Mbps	160	240	ns
		100Mbps	16	24	ns
		1000Mbps	3.6	4.4	ns
t _w (TXCL)	Pulse duration, rgmiin_txc low	10Mbps	160	240	ns
		100Mbps	16	24	ns
		1000Mbps	3.6	4.4	ns
t _t (TXC)	Transition time, rgmiin_txc	10Mbps		1.4	ns
		100Mbps		1.4	ns
		1000Mbps		0.75	ns

7.12.3.1.2 RGMII Transmit Data and Control Switching Characteristics

PARAMETER	DESCRIPTION	MODE	MIN	MAX	UNIT
t _{osu} (TXD-TXC)	Output Setup time, transmit selected signals valid to MSS_RGMII_TCLK high/low	RGMII, Internal Delay Enabled, 10M/100M/1000M	1.5		ns
t _{oh} (TXC-TXD)	Output Hold time, transmit selected signals valid after MSS_RGMII_TCLK high/low	RGMII, Internal Delay Enabled, 10M/100M/1000M	1.5		ns



- A. TxC is delayed internally before being driven to the $rgmiin_txc$ pin. This internal delay is always enabled.
- B. Data and control information is transmitted using both edges of the clocks. $rgmiin_txd[3:0]$ carries data bits 3-0 on the rising edge of $rgmiin_txc$ and data bits 7-4 on the falling edge of $rgmiin_txc$. Similarly, $rgmiin_txctl$ carries TXEN on rising edge of $rgmiin_txc$ and TXERR of falling edge of $rgmiin_txc$.

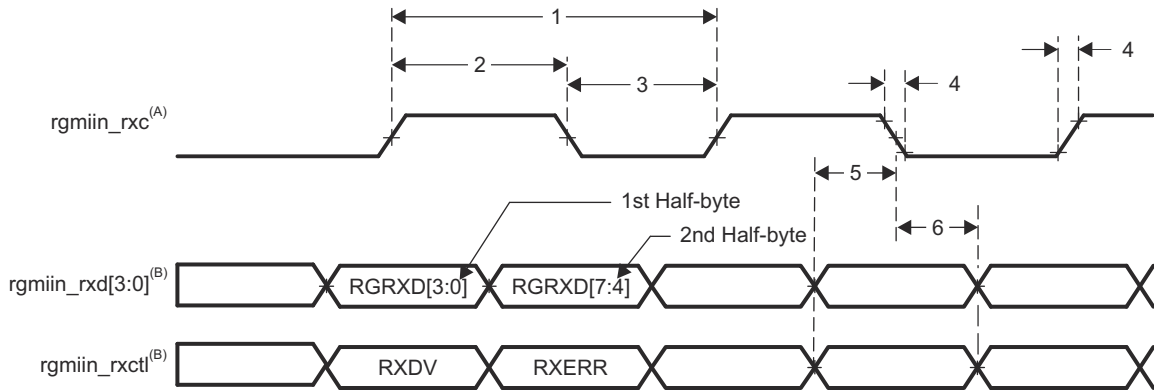
Figure 7-12. RGMII Transmit Interface Switching Characteristics

7.12.3.1.3 RGMII Receive Clock Timing Requirements

PARAMETER	DESCRIPTION	SPEED	MIN	MAX	UNIT
$t_{c(RXC)}$	Cycle time, $rgmiin_rxc$	10Mbps	360	440	ns
		100Mbps	36	44	ns
		1000Mbps	7.6	8.4	ns
$t_{w(RXCH)}$	Pulse duration, $rgmiin_rxc$ high	10Mbps	160	240	ns
		100Mbps	16	24	ns
		1000Mbps	3.6	4.4	ns
$t_{w(RXCL)}$	Pulse duration, $rgmiin_rxc$ low	10Mbps	160	240	ns
		100Mbps	16	24	ns
		1000Mbps	3.6	4.4	ns
$t_t(RXC)$	Transition time, $rgmiin_rxc$	10Mbps		1.4	ns
		100Mbps		1.4	ns
		1000Mbps		0.75	ns

7.12.3.1.4 RGMII Receive Data and Control Timing Requirements

NO.	PARAMETER	DESCRIPTION	MIN	MAX	UNIT
5	$t_{su}(RXD-RXCH)$	Setup time, receive selected signals valid before MSS_RGMII_RCLK high/low	1.2		ns
6	$t_h(RXCH-RXD)$	Hold time, receive selected signals valid after MSS_RGMII_RCLK high/low	1.2		ns



- A. rgmiin_rxc must be externally delayed relative to the data and control pins.
- B. Data and control information is received using both edges of the clocks. MSS_RGMII_RXD[3:0] carries data bits 3-0 on the rising edge of rgmiin_rxc and data bits 7-4 on the falling edge of rgmiin_rxc. Similarly, rgmiin_rxctl carries RXDV on rising edge of rgmiin_rxc and RXERR on falling edge of rgmiin_rxc.

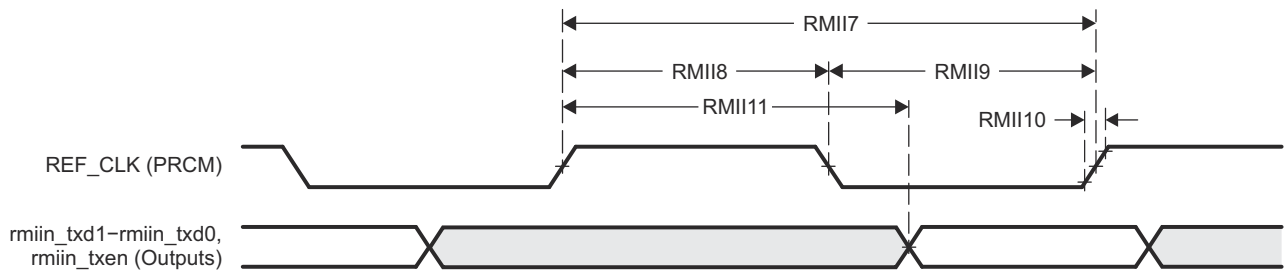
Figure 7-13. MAC Receive Interface Timing, RGMII In operation

7.12.3.1.5 RMII Transmit Clock Switching Characteristics

NO.	PARAMETER	DESCRIPTION	MIN	MAX	UNIT
RMII7	$t_c(REF_CLK)$	Cycle time, REF_CLK	20		ns
RMII8	$t_w(REF_CLKH)$	Pulse duration, REF_CLK high	7	13	ns
RMII9	$t_w(REF_CLKL)$	Pulse duration, REF_CLK low	7	13	ns
RMII10	$t_t(REF_CLK)$	Transition time, REF_CLK		3	ns

7.12.3.1.6 RMII Transmit Data and Control Switching Characteristics

NO.	PARAMETER	DESCRIPTION	MIN	MAX	UNIT
RMII11	$t_d(REF_CLK-TXD)$	Delay time, REF_CLK high to selected transmit signals valid	2	14.2	ns
	$t_d(REF_CLK-TXEN)$				



SPRS8xx_GMAC_RMII_TX_06

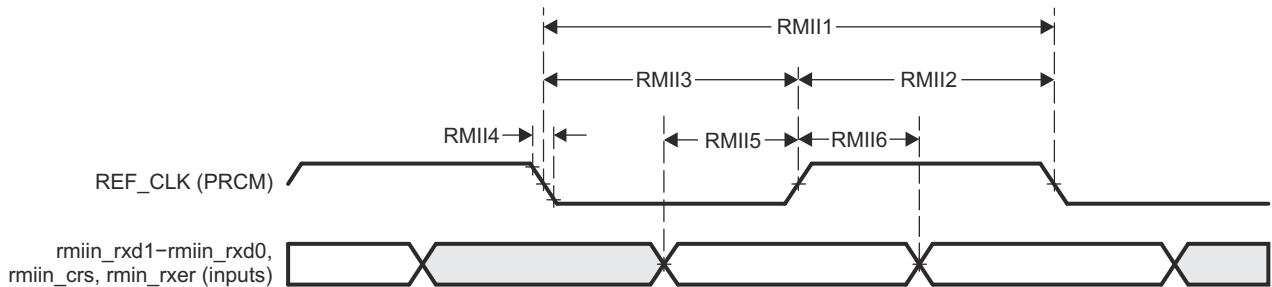
Figure 7-14. MAC Transmit Interface Timing, RMII In Operation

7.12.3.1.7 RMII Receive Clock Timing Requirements

NO.	PARAMETER	DESCRIPTION	MIN	MAX	UNIT
RMII1	$t_{c(REF_CLK)}$	Cycle time, REF_CLK	20		ns
RMII2	$t_{w(REF_CLKH)}$	Pulse duration, REF_CLK high	7	13	ns
RMII3	$t_{w(REF_CLKL)}$	Pulse duration, REF_CLK low	7	13	ns
RMII4	$t_{t(REF_CLK)}$	Transition time, REF_CLK		3	ns

7.12.3.1.8 RMII Receive Data and Control Timing Requirements

NO.	PARAMETER	DESCRIPTION	MIN	MAX	UNIT
RMII5	$t_{su(RXD-REF_CLK)}$	Setup time, receive selected signals valid before REF_CLK	4		ns
	$t_{su(CRS_DV-REF_CLK)}$				
	$t_{su(RX_ER-REF_CLK)}$				
RMII6	$t_{h(REF_CLK-RXD)}$	Hold time, receive selected signals valid after REF_CLK	2		ns
	$t_{h(REF_CLK-CRS_DV)}$				
	$t_{h(REF_CLK-RX_ER)}$				



SPRS8xx_GMAC_RMII_RX_05

Figure 7-15. MAC Receive Interface Timing, RMIIIn operation

7.12.3.1.9 MII Transmit Switching Characteristics

NO.	PARAMETER	DESCRIPTION	MIN	MAX	UNIT
1	$t_d(TX_CLK-TXD)$	Delay time, miin_txclk to transmit selected signals valid	0	25	ns
	$t_d(TX_CLK-TX_EN)$				
	$t_d(TX_CLK-TX_ER)$				

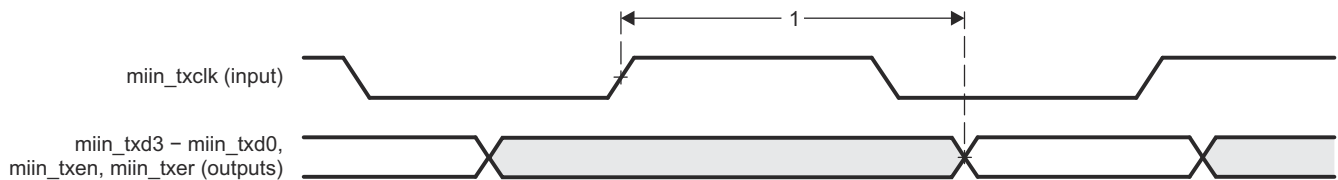


Figure 7-16. MAC Transmit Interface Timing, MIIIn operation

7.12.3.1.10 MII Receive Timing Requirements

NO.	PARAMETER	DESCRIPTION	MIN	MAX	UNIT
1	$t_{su(RXD-RX_CLK)}$	Setup time, receive selected signals valid before miin_rxclk	8		ns
	$t_{su(RX_DV-RX_CLK)}$				
	$t_{su(RX_ER-RX_CLK)}$				

NO.	PARAMETER	DESCRIPTION	MIN	MAX	UNIT
2	$t_{h(RX_CLK-RXD)}$	Hold time, receive selected signals valid after miin_rxclk	8		ns
	$t_{h(RX_CLK-RX_DV)}$				
	$t_{h(RX_CLK-RX_ER)}$				

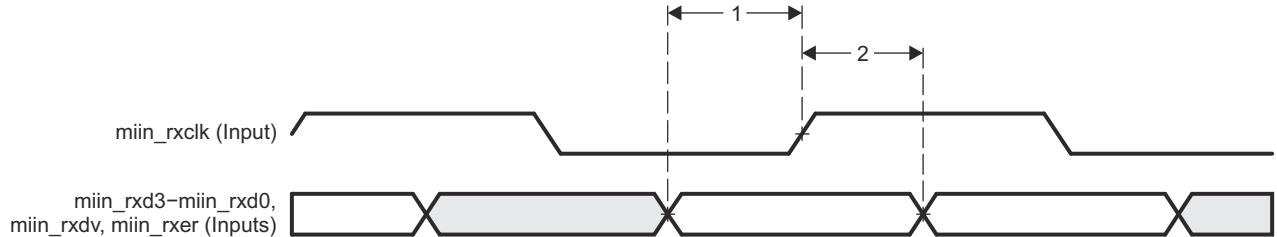


Figure 7-17. MAC Receive Interface Timing, MII operation

7.12.3.1.11 MII Transmit Clock Timing Requirements

NO.	PARAMETER	DESCRIPTION	SPEED	MIN	MAX	UNIT
1	$t_c(TX_CLK)$	Cycle time, miin_txclk	10 Mbps	400		ns
			100 Mbps	40		ns
2	$t_w(TX_CLKH)$	Pulse duration, miin_txclk high	10 Mbps	140	260	ns
			100 Mbps	14	26	ns
3	$t_w(TX_CLKL)$	Pulse duration, miin_txclk low	10 Mbps	140	260	ns
			100 Mbps	14	26	ns
4	$t_t(TX_CLK)$	Transition time, miin_txclk	10 Mbps		3	ns
			100 Mbps		3	ns

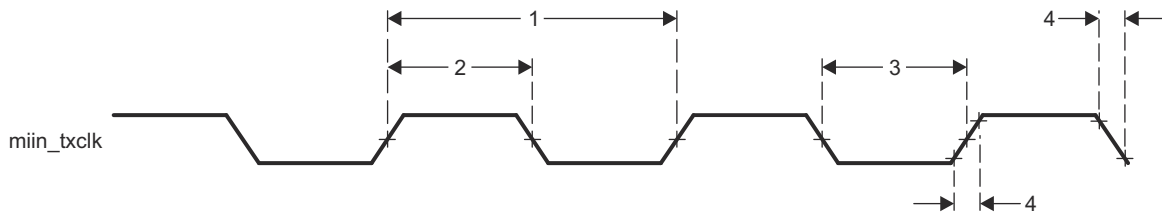


Figure 7-18. Clock Timing (MAC Transmit) - MII operation

7.12.3.1.12 MII Receive Clock Timing Requirements

NO.	PARAMETER	DESCRIPTION	SPEED	MIN	MAX	UNIT
1	$t_c(RX_CLK)$	Cycle time, miin_rxclk	10 Mbps	400		ns
			100 Mbps	40		ns
2	$t_w(RX_CLKH)$	Pulse duration, miin_rxclk high	10 Mbps	140	260	ns
			100 Mbps	14	26	ns
3	$t_w(RX_CLKL)$	Pulse duration, miin_rxclk low	10 Mbps	140	260	ns
			100 Mbps	14	26	ns
4	$t_t(RX_CLK)$	Transition time, miin_rxclk	10 Mbps		3	ns
			100 Mbps		3	ns

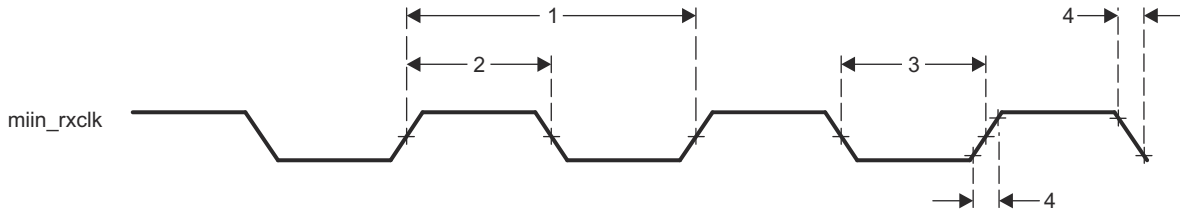


Figure 7-19. Clock Timing (MAC Receive) - MIIIn operation

7.12.3.1.13 MDIO Interface Timings

CAUTION

The IO Timings provided in this section are only valid for some MAC usage modes when the corresponding Virtual IO Timings or Manual IO Timings are configured as described in the tables found in this section.

Table 7-7, Table 7-8 and Figure 7-20 present switching characteristics and timing requirements for the MDIO interface.

Table 7-7. Timing Requirements for MDIO Input

No	PARAMETER	DESCRIPTION	MIN	MAX	UNIT
MDIO1	$t_c(\text{MDC})$	Cycle time, MDC	400		ns
MDIO2	$t_w(\text{MDCH})$	Pulse Duration, MDC High	180		ns
MDIO3	$t_w(\text{MDCL})$	Pulse Duration, MDC Low	180		ns
MDIO4	$t_{su}(\text{MDIO-MDC})$	Setup time, MDIO valid before MDC High	90		ns
MDIO5	$t_h(\text{MDIO_MDC})$	Hold time, MDIO valid from MDC High	0		ns

Table 7-8. Switching Characteristics Over Recommended Operating Conditions for MDIO Output

NO	PARAMETER	DESCRIPTION	MIN	MAX	UNIT
MDIO6	$t_t(\text{MDC})$	Transition time, MDC		5	ns
MDIO7	$t_d(\text{MDC-MDIO})$	Delay time, MDC low to MDIO valid	10	$(P * 0.5) - 10$	ns

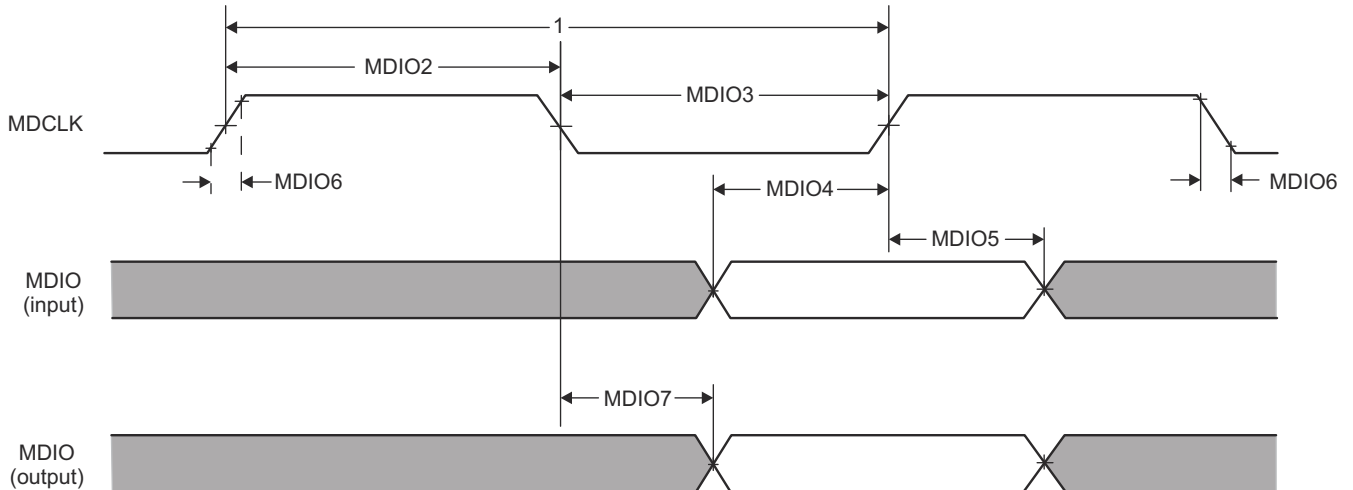


Figure 7-20. MAC MDIO diagrams

7.12.4 LVDS/Aurora Instrumentation and Measurement Peripheral

The device supports a set of LVDS interfaces in two different modes.

- Legacy LVDS mode
- STM-TWP Aurora interface

The LVDS IO are shared between the above two measurement interface options.

Following features are supported :

- 2-data lane LVDS interface (two additional lanes for Data Clock and Frame Clock)
- 4-Lane STM-TWP-Aurora-LVDS interface mode. It has the following features:
 - Configurable lane of operation.
 - Transmit data compliant to Aurora 8B/10B Serial Simplex Operation
 - Transmit data compliant to Aurora 64B/66B Serial Simplex Operation

Note

AWR2944LC and AWR2E44LC do not support Aurora LVDS interface.

Please see the device TRM for information regarding programming options for both LVDS interfaces.

7.12.4.1 LVDS Interface Configuration

The supported LVDS lane configuration is 1-data lane (LVDS_TXP/M), one Bit Clock lane (LVDS__TXxx_CLKP/M) and one Frame clock lane (LVDS_TXxx_FRCLKP/M). The LVDS interface supports programmable data rates with the maximum being 900Mbps (450MHz DDR Clock).

Note that the bit clock is in DDR format and hence the number of toggles in the clock is equivalent to data.

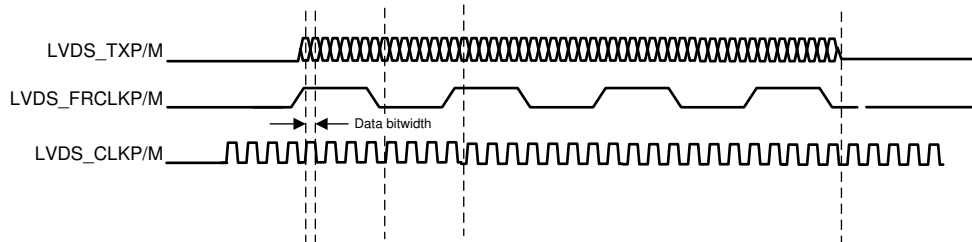


Figure 7-21. LVDS Interface Lane Configuration And Relative Timings

7.12.4.2 LVDS Interface Timings

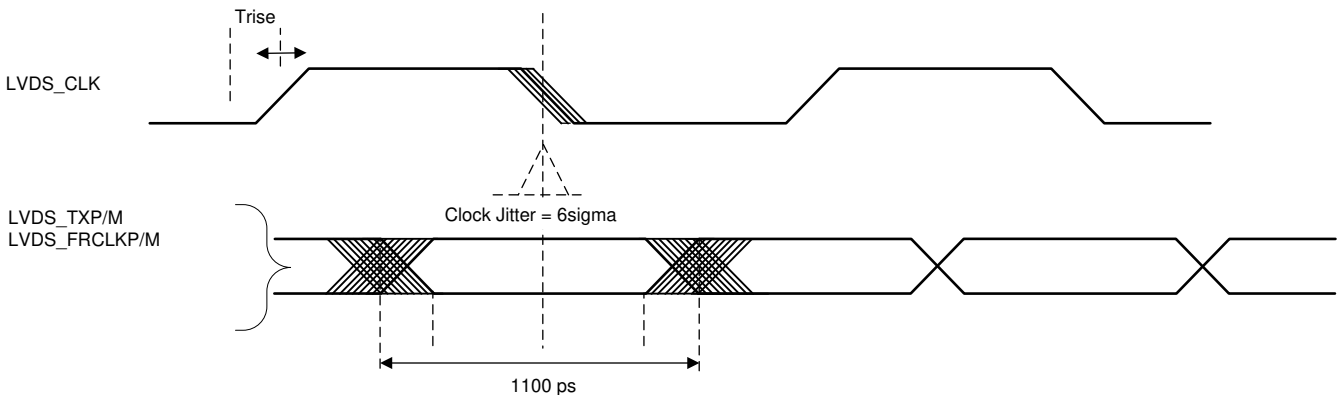


Figure 7-22. Timing Parameters

Table 7-9. LVDS Electrical Characteristics

PARAMETER	TEST CONDITIONS	MIN	TYP	MAX	UNIT
Duty Cycle Requirements	max 1 pF lumped capacitive load on LVDS lanes	48%		52%	

Table 7-9. LVDS Electrical Characteristics (continued)

PARAMETER	TEST CONDITIONS	MIN	TYP	MAX	UNIT
Output Differential Voltage	peak-to-peak single-ended with 100 Ω resistive load between differential pairs	250		450	mV
Output Offset Voltage		1125		1275	mV
Trise and Tfall	20%-80%, 900Mbps		330		ps
Jitter (pk-pk)	900 Mbps		80		ps

7.12.5 UART Peripheral

The device includes four UART interfaces. One UART is intended as a secondary boot loader source, one is intended for use as a register debug interface (with XDS110 emulator) and the remaining two are meant for general UART communication support.

- Maximum baud-rate supported shall be at least 1536K baud in all the different clock frequency modes
- UART interfaces multiplexed with other I/O to allow for widest peripheral use flexibility

7.12.5.1 SCI Timing Requirements

	MIN	TYP	MAX	UNIT
f(baud) Supported baud rate at 20 pF		921.6		kHz

7.12.6 Inter-Integrated Circuit Interface (I2C)

The device supports one Controller/Target Inter-integrated Circuit interface and is intended to be connected to an external PMIC or EEPROM device (alternative control SPI).

The I2C has the following features:

- Standard/fast mode I2C interface compliant with Philips I2C bus specification, v2.1 (The I2C Specification, Philips document number 9398 393 40011)
 - Bit/Byte format transfer
 - 7-bit and 10-bit device addressing modes
 - General call
 - START byte
 - Multi-controller transmitter/ target receiver mode
 - Multi-controller receiver/ target transmitter mode
 - Combined controller transmit/receive and receive/transmit mode
 - Transfer rates of 100 kbps up to 400 kbps (Philips fast-mode rate)
- Free data format
- Two DMA events (transmit and receive)
- DMA event enable/disable capability
- Module enable/disable capability
- The SDA and SCL are optionally configurable as general purpose I/O
- Slew rate control of the outputs
- Open drain control of the outputs
- Programmable pullup/pulldown capability on the inputs
- Supports Ignore NACK mode

Note

This I2C module does not support:

- High-speed (HS) mode
- C-bus compatibility mode
- The combined format in 10-bit address mode (the I2C sends the target address second byte every time it sends the target address first byte)

7.12.6.1 I2C Timing Requirements ⁽¹⁾

		STANDARD MODE		FAST MODE		UNIT
		MIN	MAX	MIN	MAX	
$t_{c(SCL)}$	Cycle time, SCL	10		2.5		μs
$t_{su(SCLH-SDAL)}$	Setup time, SCL high before SDA low (for a repeated START condition)	4.7		0.6		μs
$t_{h(SCLL-SDAL)}$	Hold time, SCL low after SDA low (for a START and a repeated START condition)	4		0.6		μs
$t_{w(SCLL)}$	Pulse duration, SCL low	4.7		1.3		μs
$t_{w(SCLH)}$	Pulse duration, SCL high	4		0.6		μs
$t_{su(SDA-SCLH)}$	Setup time, SDA valid before SCL high	250		100		μs
$t_{h(SCLL-SDA)^{(1)}}$	Hold time, SDA valid after SCL low	0	3.45	0	0.9	μs
$t_{w(SDAH)}$	Pulse duration, SDA high between STOP and START conditions	4.7		1.3		μs
$t_{su(SCLH-SDAH)}$	Setup time, SCL high before SDA high (for STOP condition)	4		0.6		μs
$t_{w(SP)}$	Pulse duration, spike (must be suppressed)			0	50	ns
C_b ^{(2) (3)}	Capacitive load for each bus line		400		400	pF

- (1) The I2C pins SDA and SCL do not feature fail-safe I/O buffers. These pins could potentially draw current when the device is powered down.
- (2) The maximum $t_{h(SDA-SCLL)}$ for I2C bus devices has only to be met if the device does not stretch the low period ($t_{w(SCLL)}$) of the SCL signal.
- (3) C_b = total capacitance of one bus line in pF. If mixed with fast-mode devices, faster fall-times are allowed.

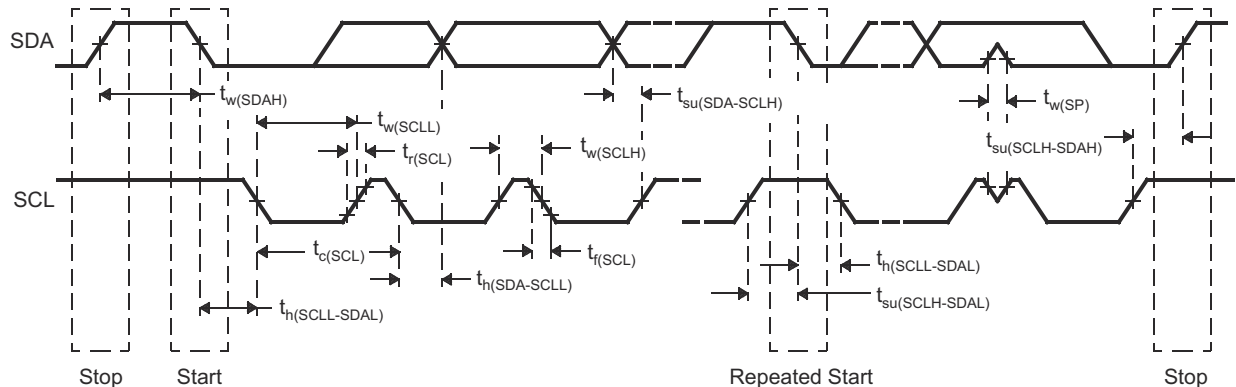


Figure 7-23. I2C Timing Diagram

Note

- A device must internally provide a hold time of at least 300 ns for the SDA signal (referred to the V_{IHmin} of the SCL signal) to bridge the undefined region of the falling edge of SCL.
- The maximum $t_{h(SDA-SCLL)}$ has only to be met if the device does not stretch the LOW period ($t_{w(SCLL)}$) of the SCL signal. E.A Fast-mode I2C-bus device can be used in a Standard-mode I2C-bus system, but the requirement $t_{su(SDA-SCLH)} \geq 250$ ns must then be met. This will automatically be the case if the device does not stretch the LOW period of the SCL signal. If such a device does stretch the LOW period of the SCL signal, it must output the next data bit to the SDA line $t_r \max + t_{su(SDA-SCLH)}$.

7.12.7 Controller Area Network - Flexible Data-rate (CAN-FD)

The device integrates two CAN-FD interfaces, MSS_MCANA and MSS_MCANB. This enables support of a typical use case where one CAN-FD interface is used as ECU network interface while the other interface is used as a local network interface, providing communication with the neighboring sensors.

- Support CAN-FD according to ISO 11898-7 protocol with data rate up to 8Mbps
- Multiplexed GPIO can be used for CAN-FD external driver control
- AWRx synchronous trigger output allows CAN-FD to trigger radar frames

7.12.7.1 Dynamic Characteristics for the CAN-FD TX and RX Pins

PARAMETER ⁽¹⁾		MIN	TYP	MAX	UNIT
$t_{d(MSS_CANA_TX)}$	Delay time, transmit shift register to MSS_CANA_TX pin			15	ns
$t_{d(MSS_CANB_TX)}$	Delay time, transmit shift register to MSS_CANB_TX pin			15	ns
$t_{d(MSS_MCANA_RX)}$	Delay time, MSS_MCANA_RX pin to receive shift register			10	ns
$t_{d(MSS_MCANB_RX)}$	Delay time, MSS_MCANB_RX pin to receive shift register			10	ns

(1) These values do not include rise/fall times of the output buffer.

7.12.8 CSI2 Receiver Peripheral

Note

AWR2944LC and AWR2E44LC do not support CSI2 Receiver Peripheral.

The device integrates one 3-lane MIPI CSI2, D-PHY receiver peripheral in the Radio processing subsystem. The CSI2 interface is primarily functional of operating as a hardware-in-the-loop (HIL) interface, allowing for the playback of recorded radar data for development purposes.

- Interface is compliant with the MIPI CSI-2 D-PHY standard revision 1.2
- 1x 3-lane (2 data lanes, 1 clock lane) CSI2 receiver interface, working simultaneously at 600Mbps/lane
- 2-lane, or 1-lane CSI2 configurations
- Support for 4 simultaneous virtual channels and data types
- Support for 8/10/12/14/16-bit RAW data mode with capability of sign extension or zero padding to align with 16-bit memory addressing for RAW 10/12/14 modes
- Support for user defined data types

Please refer to the device Technical Reference Manual for a complete description of all the programmable options.

7.12.8.1 CSI2 Switching Characteristics

over operating free-air temperature range (unless otherwise noted)

PARAMETER		MIN	TYP	MAX	UNIT
Low Power Receiver (LP-RX)					
V_{IL} ⁽¹⁾	Logic 0 input threshold			550	mV
V_{IH} ⁽²⁾	Logic 1 input threshold	880			mV
V_{HYST}	Input Hysteresis	25			mV
High Speed Receiver (HS-RX)					
V_{IDTH}	Differential input high threshold	70			mV
V_{IDTL}	Differential input low threshold			-70	mV
V_{IDMAX}	Maximum differential input voltage			270	mV
V_{ILHS}	Single-ended input low voltage	-40			mV

over operating free-air temperature range (unless otherwise noted)

	PARAMETER	MIN	TYP	MAX	UNIT
V_{IHHS}	Single-ended input high voltage			460	mV
V_{CMRXDC}	Common-mode voltage	70		330	mV
$\Delta V_{CMRX(HF)}$	Common-mode interference beyond 450MHz			200	mVPP
$\Delta V_{CMRX(LF)}$	Common mode interference 50MHz – 450MHz	-50		50	mVPP
HS DATA-CLOCK Timing Specification (3) (5)					
$U_{I_{INST}}$	Data/Clock Unit Interval	1.11			ns
T_{SETUP}	Data to Clock setup time	166			ps
T_{HOLD}	Clock to Data hold time	166			ps
T_R, T_F (4)	Rise/Fall Times	166	$0.4 * U_{I_{INST}}$		ps

- (1) The input low-level voltage, V_{IL} , is the voltage at which the receiver is required to detect a low state in the input signal. V_{IL} is larger than the maximum single-ended line voltage during HS transmission. Therefore, both LP receivers will detect low during HS signaling.
- (2) The input high-level voltage, V_{IH} , is the voltage at which the receiver is required to detect a high state in the input signal.
- (3) T_{SKEW} in the figure is the skew between the clock and data HS signals that can be tolerated at the receiver input. It is only a descriptive parameter. Rx timing is specified by T_{SETUP}/T_{HOLD} only.
- (4) Rise/Fall from V_{IDTL} to V_{IDTH} .
- (5) Setup/hold specification is assuming identical common mode and rise/fall time for both data and clock lane at receiver input. i.e. V_{CMRXDC} and T_R, T_F must be same for clock lane and data lane while measuring T_{SETUP} and T_{HOLD}

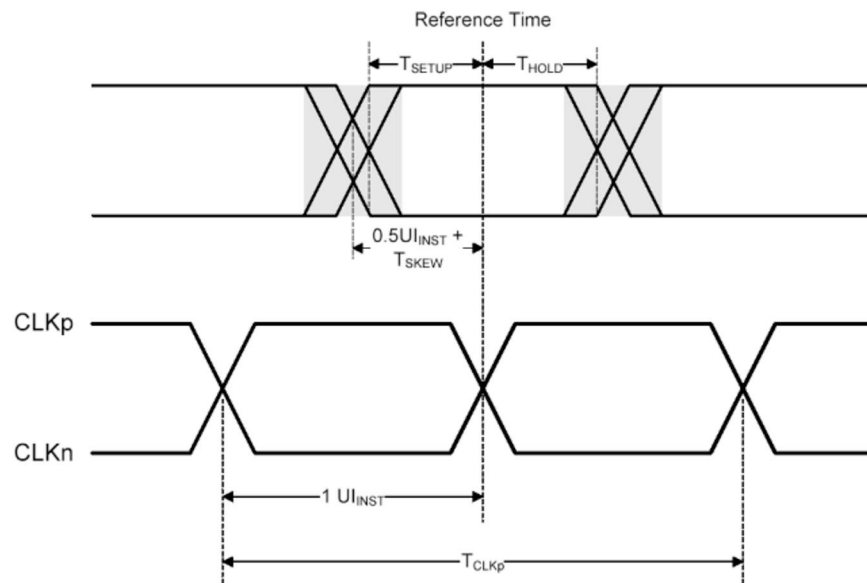


Figure 7-24. Clock and Data Timing in HS Transmission

7.12.9 Enhanced Pulse-Width Modulator (ePWM)

The device includes three Enhanced Pulse-Width Modulation (ePWM) modules. These modules can be used to generate duty-cycled controlled waveforms for a power regulator, or a power management systems, or more complex waveforms for motor control applications.

The module supports the following features:

- Dedicated 16-bit time-base counter with period and frequency control for each PWM module
- Each module contains two PWM outputs (EPWMxA and EPWMxB) that shall be usable in the following configurations:
 - Two independent PWM outputs with single-edge operation
 - Two independent PWM outputs with dual-edge symmetric operation
 - One independent PWM output with dual-edge asymmetric operation

7.12.10 General-Purpose Input/Output

Section 7.12.10.1 lists the switching characteristics of output timing relative to load capacitance.

7.12.10.1 Switching Characteristics for Output Timing versus Load Capacitance (C_L) ⁽¹⁾ ⁽²⁾

PARAMETER		TEST CONDITIONS	VIOIN = 1.8V	VIOIN = 3.3V	UNIT	
t_r	Max rise time	Slew control = 0	$C_L = 20\text{pF}$	2.8	3.0	ns
			$C_L = 50\text{pF}$	6.4	6.9	
			$C_L = 75\text{pF}$	9.4	10.2	
t_f	Max fall time		$C_L = 20\text{pF}$	2.8	2.8	ns
			$C_L = 50\text{pF}$	6.4	6.6	
			$C_L = 75\text{pF}$	9.4	9.8	
t_r	Max rise time	Slew control = 1	$C_L = 20\text{pF}$	3.3	3.3	ns
			$C_L = 50\text{pF}$	6.7	7.2	
			$C_L = 75\text{pF}$	9.6	10.5	
t_f	Max fall time		$C_L = 20\text{pF}$	3.1	3.1	ns
			$C_L = 50\text{pF}$	6.6	6.6	
			$C_L = 75\text{pF}$	9.6	9.6	

(1) Slew control, which is configured by PADxx_CFG_REG, changes behavior of the output driver (faster or slower output slew rate).

(2) The rise/fall time is measured as the time taken by the signal to transition from 10% and 90% of VIOIN voltage.

7.13 Emulation and Debug

7.13.1 Emulation and Debug Description

7.13.2 JTAG Interface

The JTAG interface implements the IEEE1149.1 standard interface for processor debug and boundary scan testing.

[Section 7.13.2.1](#) and [Section 7.13.2.2](#) assume the operating conditions stated in [Figure 7-25](#).

7.13.2.1 Timing Requirements for IEEE 1149.1 JTAG

Table 7-10. JTAG Timing Conditions

		MIN	TYP	MAX	UNIT
Input Conditions					
t_R	Input rise time	1		3	ns
t_F	Input fall time	1		3	ns
Output Conditions					
C_{LOAD}	Output load capacitance	2		15	pF

Table 7-11. JTAG Timing Requirements

NO.			MIN	TYP	MAX	UNIT
1	$t_c(TCK)$	Cycle time TCK	33.33			ns
1a	$t_w(TCKH)$	Pulse duration TCK high (40% of t_c)	13.33			ns
1b	$t_w(TCKL)$	Pulse duration TCK low (40% of t_c)	13.33			ns
3	$t_{su}(TDI-TCK)$	Input setup time TDI valid to TCK high	2.5			ns
3	$t_{su}(TMS-TCK)$	Input setup time TMS valid to TCK high	2.5			ns
4	$t_h(TCK-TDI)$	Input hold time TDI valid from TCK high	18			ns
4	$t_h(TCK-TMS)$	Input hold time TMS valid from TCK high	18			ns

7.13.2.2 Switching Characteristics for IEEE 1149.1 JTAG

NO.	PARAMETER		MIN	TYP	MAX	UNIT
2	$t_d(TCKL-TDOV)$	Delay time, TCK low to TDO valid	0		21	ns

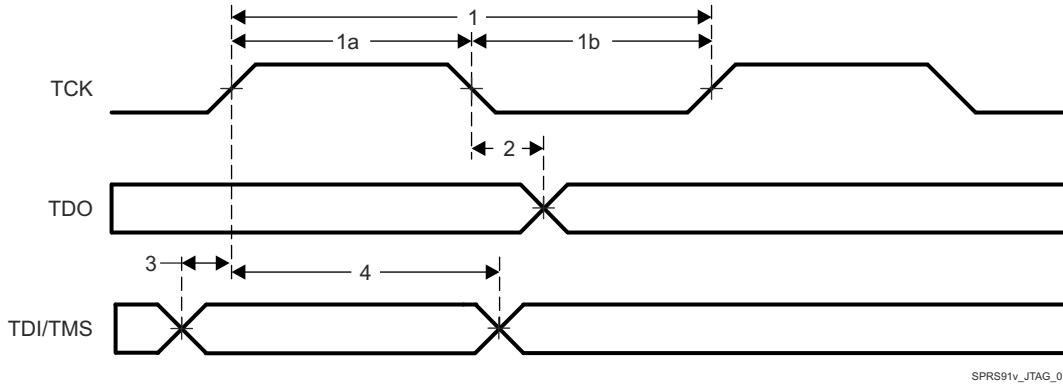


Figure 7-25. JTAG Timing

7.13.3 ETM Trace Interface

The ETM Trace interface provides a means of exporting real time processor debug information to a host PC through a compatible emulator toolset.

Section 7.13.3.1 and Section 7.13.3.2 describe the operating conditions shown in Figure 7-26 and Figure 7-27.

7.13.3.1 ETM TRACE Timing Requirements

		MIN	TYP	MAX	UNIT
Output Conditions					
C_{LOAD}	Output load capacitance	2		20	pF

7.13.3.2 ETM TRACE Switching Characteristics

NO.	PARAMETER	MIN	TYP	MAX	UNIT	
1	$t_{cyc(ETM)}$	Cycle time, TRACECLK period		16	ns	
2	$t_h(ETM)$	Pulse Duration, TRACECLK High		7	ns	
3	$t_l(ETM)$	Pulse Duration, TRACECLK Low		7	ns	
4	$t_r(ETM)$	Clock and data rise time		3.3	ns	
5	$t_f(ETM)$	Clock and data fall time		3.3	ns	
6	$t_d(ETMTRACECLKH-ETMDATAV)$	Delay time, ETM trace clock high to ETM data valid		1	14.5	ns
7	$t_d(ETMTRACECLKL-ETMDATAV)$	Delay time, ETM trace clock low to ETM data valid		1	14.5	ns

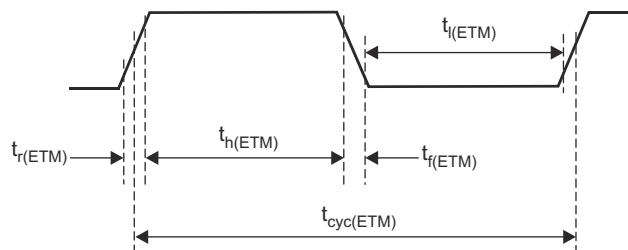


Figure 7-26. ETMTRACECLKOUT Timing

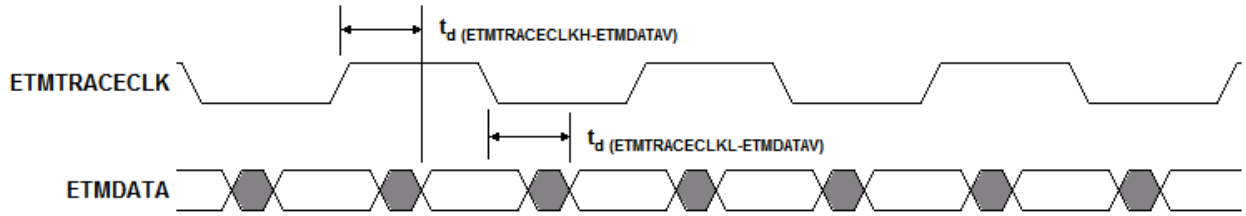


Figure 7-27. ETMDATA Timing

8 Detailed Description

8.1 Overview

The AWR2944P/AWR2E44P is a "Performance" expansion to the AWR2944 portfolio with enhanced RF and compute performance to meet NCAP + Automated Driving requirements. The AWR2944-ECO/AWR2E44-ECO and AWR2944LC/AWR2E44LC are mainstream and feature optimized variants respectively in the family to enable customers with a scalable portfolio between P, ECO and LC devices in the family. The AWR2944P/AWR2E44P/AWR2944-ECO/AWR2E44-ECO/AWR2944LC/AWR2E44LC is also highly integrated millimeter wave radar sensor, and has six variants, the AWR2944P, AWR2E44P, AWR2944-ECO, AWR2E44-ECO, AWR2944LC, and the AWR2E44LC all of which includes four transmit and four receive channels. The AWR2E44P/AWR2E44-ECO/AWR2E44LC incorporates Launch on Package (LOP) technology, which enables loss-less transmission of signals from the AWR2E44P/AWR2E44-ECO/AWR2E44LC chip to the antenna via holes in the PCB & launches on the bottom of the chip. The chip and antenna are directly soldered to the PCB enabling low cost PCB material to be used instead of expensive high-frequency material.

AWR2944P/AWR2E44P/AWR2944-ECO/AWR2E44-ECO/AWR2944LC/AWR2E44LC is a single-chip radar device integrating all necessary radar components including RF, analog, and digital processing circuits. The device utilizes frequency modulated continuous wave (FMCW) Radar enabling accurate measurement of distance and relative velocity in the field of view (FoV) operating in the 76-81GHz frequency range. Additionally, the device can communicate to the vehicle's central ECU via CAN-FD and Ethernet interfaces.

8.2 Functional Block Diagram

Figure 8-1 represents the functional block diagram for the device.

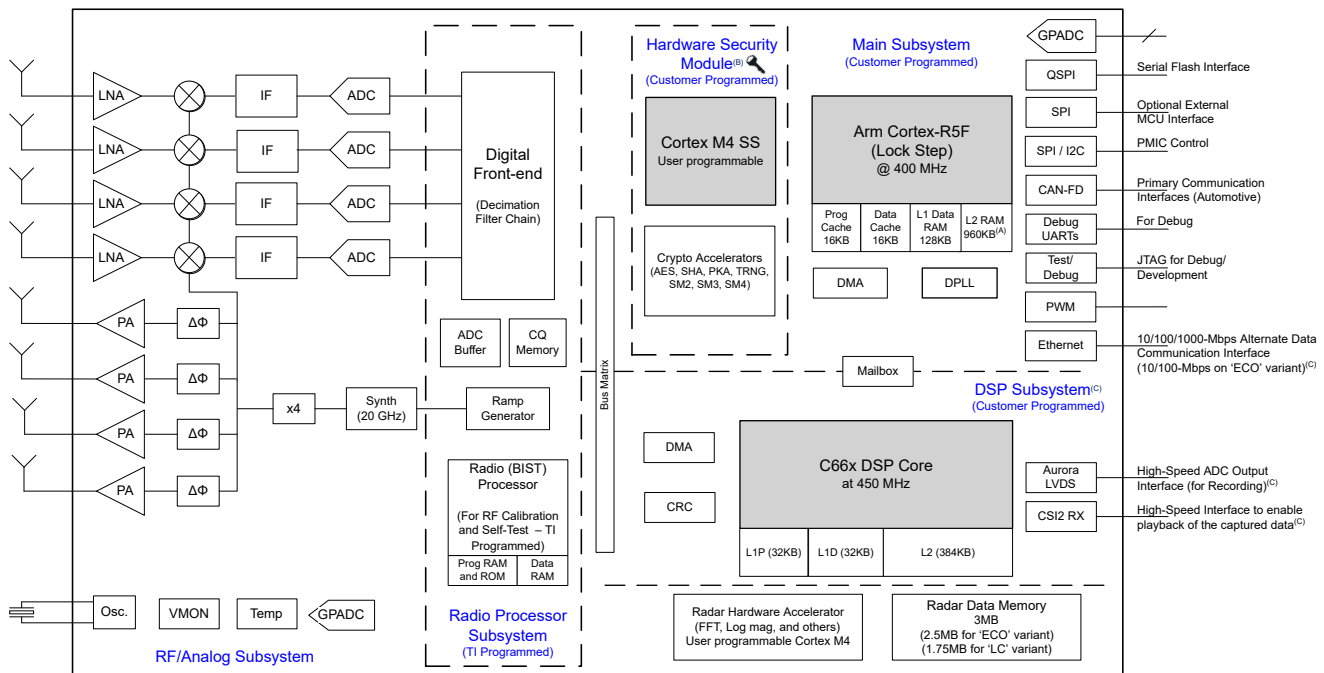


Figure 8-1. Functional Block Diagram

- Configurable memory can be switched from Radar Data memory to the Main Cortex-R5F program and Data RAMs per application usecase needs.
- This feature is only available in select part variants as indicated by the Device Type identifier in the Section 3, Device Information table.
- This feature is not available for AWR2944LC and AWR2E44LC variants.

8.3 Subsystems

8.3.1 RF and Analog Subsystem

The RF and analog subsystem includes the RF and analog circuitry – namely, the synthesizer, PA, LNA, mixer, IF, and ADC. This subsystem also includes the crystal oscillator and temperature sensors. The four transmit and the receive channels can all be operated simultaneously for transmit beamforming purpose and receiving data as required.

8.3.1.1 RF Clock Subsystem

The device clock subsystem generates 76 to 81 GHz from an input reference of 40 MHz crystal. It has a built-in oscillator circuit followed by an Analog PLL and a RF synthesizer circuit. The output of the RF synthesizer is then processed by an x4 multiplier to create the required frequency in the 76 to 81 GHz spectrum. The RF synthesizer output can be modulated by the timing engine block to create the required waveforms for effective sensor operation or it can input a fixed signal of 1GHz directly from APLL.

The Analog PLL also provides a reference clock for the host processor after system wakeup.

The clock subsystem also has built-in mechanisms for detecting the presence of a crystal and monitoring the quality of the generated clock.

Figure 8-2 describes the clock subsystem.

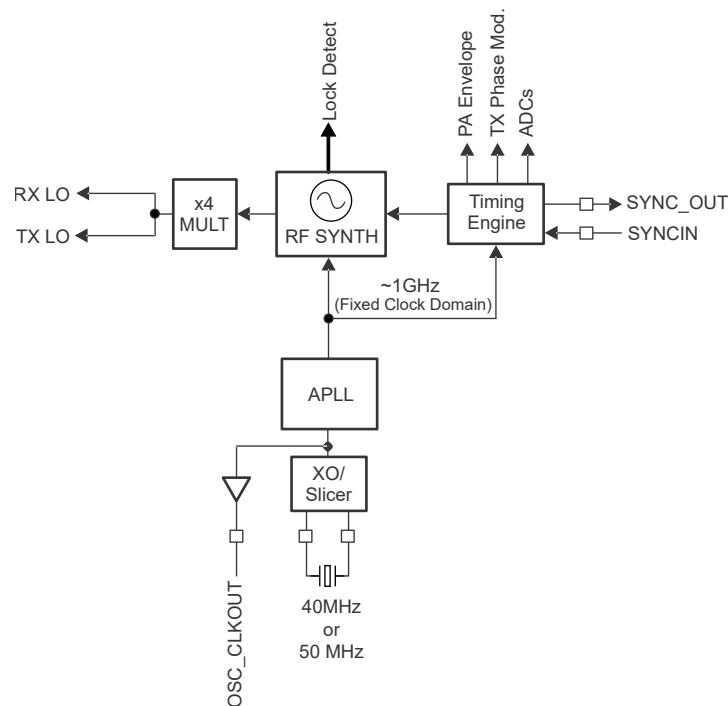


Figure 8-2. RF Clock Subsystem

8.3.1.2 Transmit Subsystem

The device Transmit subsystem consists of four parallel transmit chains, each with independent phase and amplitude control. All four transmitters can be used simultaneously or in time-multiplexed fashion. The device supports binary phase modulation and a 6 bit programmable phase shifter for beamforming control on a per chirp basis for each channel as indicated in the figure below.

Each transmit chain can deliver the typical power referenced in Section 7.8 at the antenna port on the PCB. The transmit chains also support programmable backoff for system optimization.

Figure 8-3 describes the transmit subsystem.

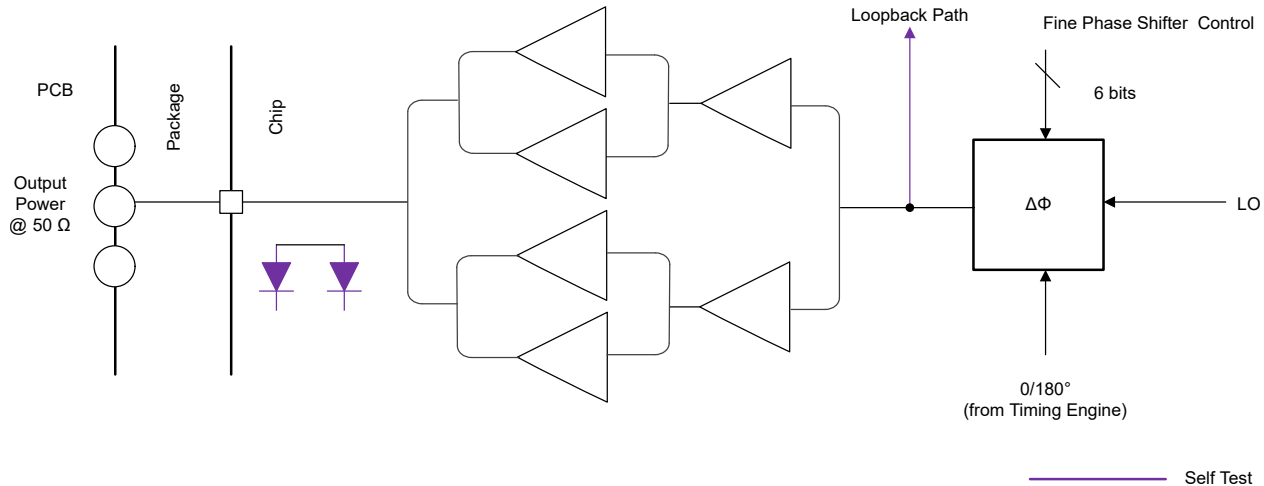


Figure 8-3. Transmit Subsystem (Per Channel)

8.3.1.3 Receive Subsystem

The device Receive subsystem consists of four parallel channels. A single receive channel consists of an LNA, mixer, IF filtering, ADC conversion, and decimation. All four receive channels can be operational at the same time. An individual power-down option is also available for system optimization.

The device supports a real-only receiver. The band-pass IF chain has configurable cutoff frequencies above 300 kHz and can support bandwidths up to 20MHz.

Figure 8-4 describes the receive subsystem.

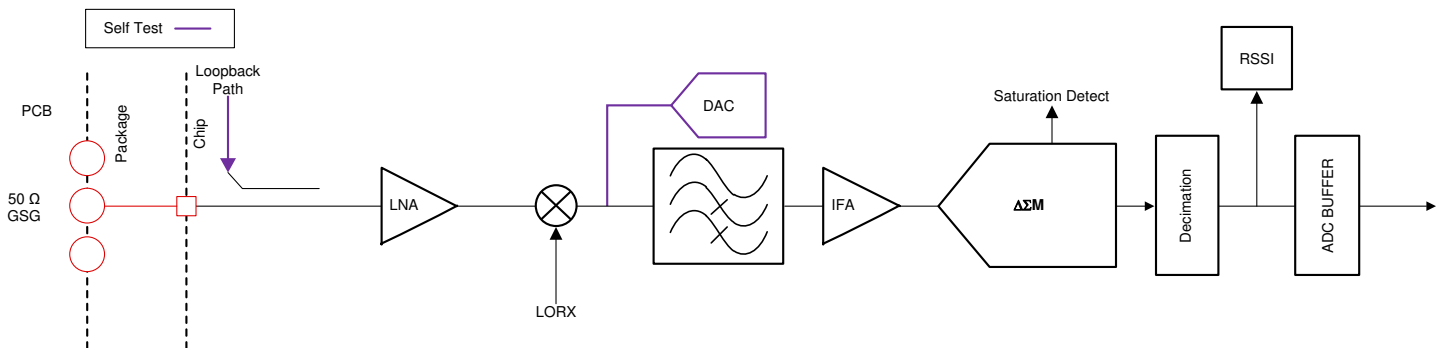


Figure 8-4. Receive Subsystem (Per Channel)

8.3.1.4 Processor Subsystem

Figure 8-5 shows the block diagram for customer programmable processor subsystems in the device. At a high level there are two customer programmable subsystems. Left hand side shows the DSP Subsystem which contains TI's high performance C66x DSP, HWA 2.1, a high-bandwidth interconnect for high performance (128-bit, 150MHz), and associated peripherals – six EDMAs for data transfer, Aurora and LVDS interface for Measurement data output, L3 Radar data cube memory, ADC buffers, CRC engine, and data handshake memory (additional memory provided on interconnect).

For more information, see the [TMS320C66x DSP CorePac User Guide](#)

The right side of the diagram shows the Main subsystem (MSS). The Main subsystem, as the name suggests, is the primary controller of the device and controls all the device peripherals and house-keeping activities of the device. The Main subsystem contains a Cortex-R5F (MSS R5F) processor and associated peripherals and housekeeping components such as EDMAs, CRC, and peripherals (I²C, UART, SPIs, CAN-FD, EPWM, and others) connected to the primary interconnect through the Peripheral Central Resource (PCR interconnect).

The Radio Processing Subsystem or the BIST Subsystem (RSS) is responsible for initializing and calibrating the Analog/RF modules. RSS periodically monitors the Analog/RF functionality such that all the Analog/RF modules work in their defined limits.

General-Purpose ADC (GPADC), Fast Fourier Transformation engine (FFT engine) and other modules are provided to monitor the signal from different points in the transmitter and receiver chains. Digital front-end filters (DFE), Ramp Generation module and Analog/DFE registers, which are mainly under the control of BSS, can be indirectly controlled through the API calls from the Main Subsystem.

The device also integrates one two-lane CSI2 receiver interfaces in the radio processing subsystem. The prime functionality of this interface is the Hardware in loop (HIL) functionality, that can be used to perform the radar operations feeding the captured data from outside into the device without involving the RF subsystem.

Refer to the Device TRM (Technical Reference Manual) for MSS Cortex-R5F and DSP C66x memory map.

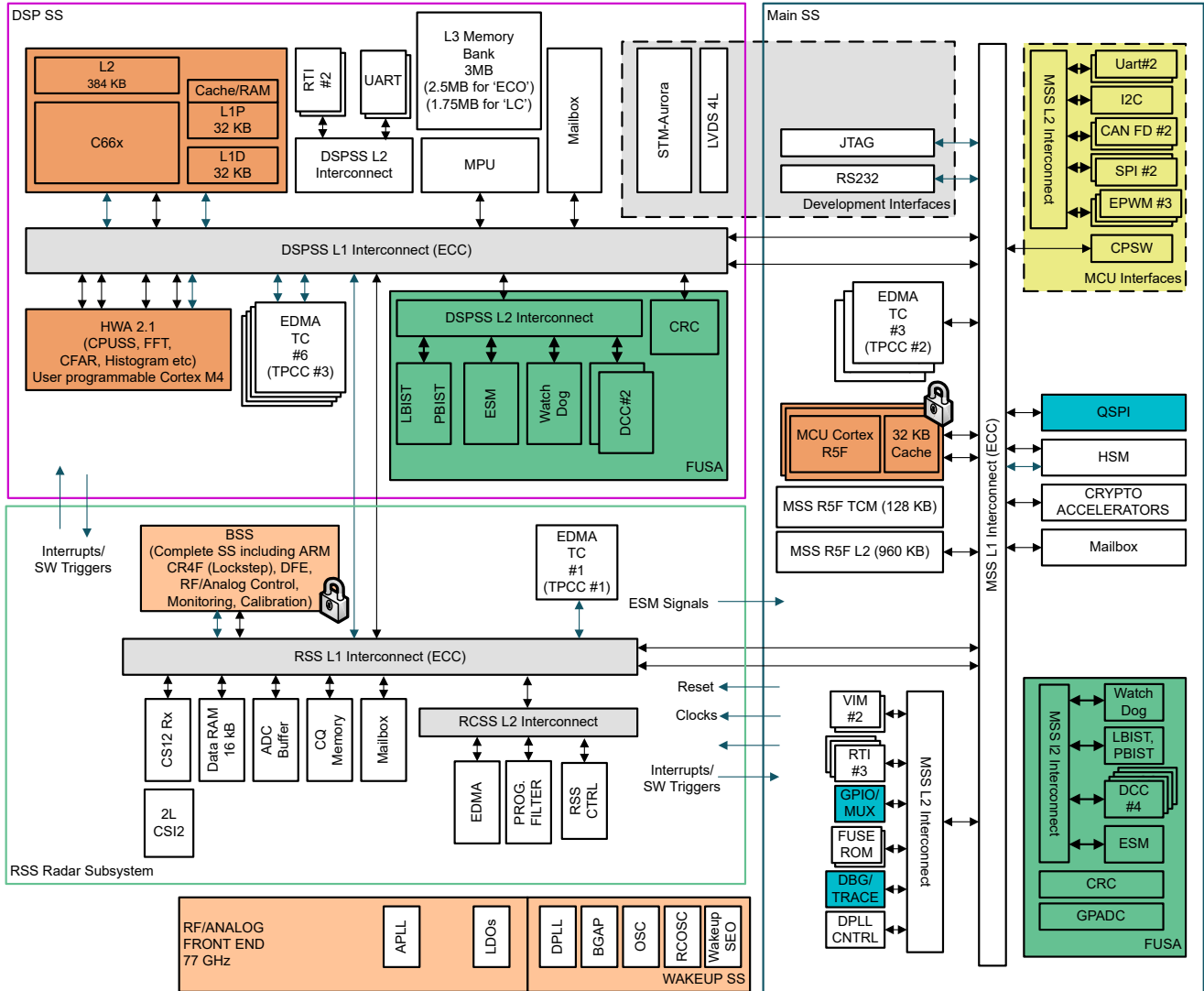


Figure 8-5. Processor Subsystem

8.3.2 Automotive Interfaces

The device communicates with the automotive network over the following main interfaces:

- CAN-FD
- Ethernet

8.4 Other Subsystems

8.4.1 Hardware Accelerator Subsystem

In addition to the DSP core, the device incorporates Radar Hardware Accelerators (HWA2.1) to offload the DSP from pre-processing computations.

To understand the capabilities offered by the Radar Hardware Accelerator 2.1 so as to achieve the desired functionality, please refer to the Hardware Accelerator 2.1 section in the [Device Technical reference Manual](#).

8.4.2 Security – Hardware Security Module

A Hardware Security Module (HSM), which performs a secure zone operation, is provisioned in the device (*operational only in select part variants*). A programmable Arm Cortex-M4 core is available to implement the crypto-agility requirements.

The cryptographic algorithms can be accelerated using the hardware modules in the HSM. Functions include acceleration of AES, SHA, and public key accelerator (PKA) to perform math operations for asymmetric key cryptographic requirements and true random number generation.

The Main subsystem (MSS) Cortex-R5F processor interfaces with the HSM subsystem to perform the cryptographic operations required for the secure boot and secure runtime communications.

Further details on Security can be found in the concerned collaterals.

8.4.3 ADC Channels (Service) for User Application

The device includes provision for an ADC service for user application, where the GPADC engine present inside the device can be used to measure up to nine external and internal voltages based on device variant. The ADC pins are used for this purpose are referenced in [Section 6.5](#).

Note

GPADC structures are also used for measuring the output of internal temperature sensors.

GPADC Specifications:

- 625Ksps SAR ADC
- 0 to 1.8V input range
- 10-bit resolution

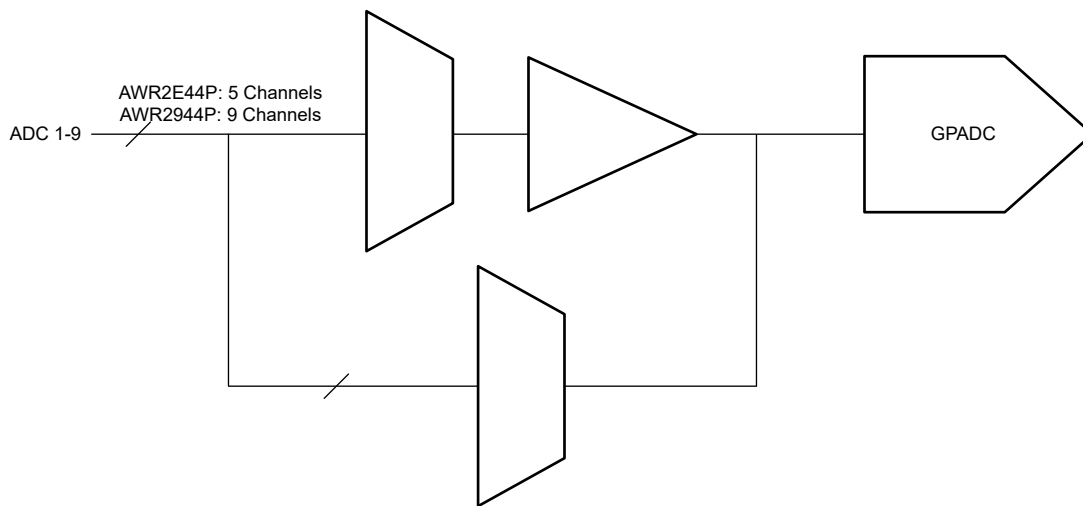


Figure 8-6. GPADC Path

Table 8-1. GP-ADC Parameter

PARAMETER	TYP	UNIT
ADC supply	1.8	V
ADC unbuffered input voltage range	0 – 1.8	V
ADC buffered input voltage range ⁽¹⁾	0.4 – 1.3	V
ADC resolution	10	bits
ADC offset error	±5	LSB
ADC gain error	±5	LSB
ADC DNL	-1/+2.5	LSB
ADC INL	±2.5	LSB
ADC sample rate	625	Ksps
ADC sampling time	400	ns
ADC internal cap	10	pF
ADC buffer input capacitance	2	pF
ADC input leakage current	3	uA

(1) Outside of given range, the buffer output will become nonlinear.

9 Monitoring and Diagnostics

9.1 Monitoring and Diagnostic Mechanisms

Table 9-1 is a list of the main monitoring and diagnostic mechanisms available in the device.

Table 9-1. Monitoring and Diagnostic Mechanisms for AWR2944P/AWR2E44P/AWR2944-ECO/AWR2E44-ECO/AWR2944LC/AWR2E44LC

NO	FEATURE	DESCRIPTION
MAIN SUBSYSTEM		
1	Lockstep operation of MSS R5F Core	Device architecture supports lockstep operation of the MSS R5F core that is the operating core in the Main subsystem that is provisioned as the safety island in the device.
2	Boot time LBIST For MSS R5F Core and associated VIM	Device architecture supports hardware logic BIST (LBIST) engine self-test Controller (STC). This logic is used to provide a very high diagnostic coverage (>90%) on the MSS R5F CPU core and Vectored Interrupt Module (VIM) at a transistor level. LBIST for the CPU and VIM need to be triggered by application code before starting the functional safety application. A reset of the CPU is initiated at the end of the STC operation and the reset cause register captures the status of reset. The STC registers can then be read out to identify the status of the STC execution to determine if there were any errors. CPU stays there in while loop and does not proceed further if a fault is identified. There can be a fault injection test also performed which leads to a reset of the CPU with the error status signaled in the STC registers.
3	Boot time PBIST for MSS R5F Memories	MSS R5F has tightly coupled memories (TCM) Level 1 (L1) memories TCMA, TCMB0 and TCMB1 as well as the level 2 (L2) memories. Device architecture supports a hardware programmable memory BIST (PBIST) engine. This logic is used to provide a very high diagnostic coverage (March-13n) on the implemented MSS R5F TCMs at a transistor level. PBIST for L1 and L2 memories is triggered by the bootloader at the boot time before starting download of application from flash or a peripheral interface. The CPU is in a while loop and does not proceed further if a fault is identified.
4	End to End ECC for MSS R5F Memories	The TCMs and L2 memory diagnostic support a single error correction, double error detection (SECEDED) ECC diagnostic. For L2 memory, an 8-bit code word is used to store the ECC data as calculated over the 64-bit data bus. For TCMs, a 7-bit code word is used to store the ECC data for a 32-bit data bus. ECC evaluation for TCMs is done by the ECC control logic inside the CPU. This scheme provides end-to-end diagnostics on the transmissions between CPU and TCM. CPU can be configured to have predetermined response (ignore or abort generation) to single and double bit error conditions.
5	MSS R5F bit multiplexing	Logical TCM and L2 memory word and the associated ECC code is split and stored in two physical SRAM banks. This scheme provides an inherent diagnostic mechanism for address decode failures in the physical SRAM banks. Faults in the bank addressing are detected by the CPU as an ECC fault. Further, bit multiplexing scheme is implemented such that the bits accessed to generate a logical (CPU) word are not physically adjacent. This scheme helps to reduce the probability of physical multi-bit faults resulting in logical multi-bit faults; rather the faults manifest as multiple single bit faults. As the SECEDED TCM ECC can correct a single bit fault in a logical word, this scheme improves the usefulness of the TCM ECC diagnostic. Both these features are hardware features and cannot be enabled or disabled by application software.
6	Clock Monitor	Device architecture supports four digital clock comparators (EDCCs) and an internal RCOSC. Dual functionality is provided by these modules – clock detection and clock monitoring. EDCCA is dedicated for ADPLL/APLL lock detection monitoring, comparing the ADPLL/APLL output divided version with the Reference input clock of the device. Failure detection for EDCCA can be programmed to cause the device to go into limp mode. Additionally, there is a provision to feed an external reference clock to monitor the internal clock using the EDCCA. EDCCB, EDCCC, EDCCD module is one which is available for user software. Any two clocks can be compared. One example is to compare the CPU clock with the reference or internal RCOSC clock source. Failure detection is indicated to the MSS R5F CPU through the Error Signaling Module (ESM).
7	RTI/WDT for MSS R5F	Device architecture supports the use of an internal watchdog that is implemented in the real-time interrupt (RTI) module. The internal watchdog has two modes of operation: digital watchdog (DWD) and digital windowed watchdog (DWWD). The modes of operation are mutually exclusive; the designer can elect to use one mode or the other but not both at the same time. Watchdog can issue either an internal (warm) system reset or a CPU non-mask able interrupt upon detection of a failure. The Watchdog is enabled by the bootloader in DWD mode at boot time to track the boot process. When the application code takes control, the watchdog can be configured again for the mode and timings based on the application requirements.
8	MPU for MSS R5F	The Cortex-R5F CPU includes an MPU. The MPU logic can be used to provide spatial separation of software tasks in the device memory. The Cortex-R5F MPU supports 16 regions. The operating system controls the MPU and changes the MPU settings based on the needs of each task. A violation of a configured memory protection policy results in a CPU abort.
9	PBIST for Peripheral interface SRAMs - SPIs, CANs, Ethernet, EDMA, Mailbox	Device architecture supports a hardware programmable memory BIST (PBIST) engine for Peripheral SRAMs as well. PBIST for peripheral SRAM memories can be triggered by the application. User can elect to run the PBIST on one SRAM or on groups of SRAMs based on the execution time, which can be allocated to the PBIST diagnostic. The PBIST tests are destructive to memory contents, and as such are typically run only at boot time. However, the user has the freedom to initiate the tests at any time if peripheral communication can be hindered. Any fault detected by the PBIST results in an error indicated in PBIST status registers.
10	ECC for Peripheral interface SRAMs – SPIs, CANs, Ethernet, EDMA, Mailbox	Peripheral interface SRAMs diagnostic is supported by Single error correction double error detection (SECEDED) ECC diagnostic. When a single or double bit error is detected, the MSS R5F is notified via ESM (Error Signaling Module). This feature is disabled after reset. Software must configure and enable this feature in the peripheral and ESM module. ECC failure (both single bit corrected and double bit uncorrectable error conditions) is reported to the MSS R5F as an interrupt via ESM module.

Table 9-1. Monitoring and Diagnostic Mechanisms for AWR2944P/AWR2E44P/AWR2944-ECO/AWR2E44-ECO/AWR2944LC/AWR2E44LC (continued)

NO	FEATURE	DESCRIPTION
11	Configuration registers protection for Main SS peripherals	All the Main SS peripherals (SPIs, CANs, Ethernet, I2C, DMAs, RTI/WD, DCCs, EDMA, IOMUX etc.) are connected to interconnect via Peripheral Central resource (PCR). This provides two diagnostic mechanisms that can limit access to peripherals. Peripherals can be clock gated per peripheral chip select in the PCR. This can be utilized to disable unused features such that the features cannot interfere. In addition, each peripheral chip select can be programmed to limit access based on privilege level of transaction. This feature can be used to limit access to entire peripherals to privileged operating system code only. These diagnostic mechanisms are disabled after reset. Software must configure and enable these mechanisms. Protection violation also generates an error that result in abort to MSS R5F or error response to other hosts such as DMAs.
12	Cyclic Redundancy Check–Main SS	Device architecture supports hardware CRC engine on Main SS implementing the below polynomials. <ul style="list-style-type: none"> • CRC16 CCITT – 0x10 • CRC32 Ethernet – 0x04C11DB7 • CRC64 • CRC 32C – CASTAGNOLI – 0x1EDC6F4 • CRC64 ECMA The read operation of the SRAM contents to the CRC can be done by CPU or by DMA. The comparison of results, indication of fault, and fault response are the responsibility of the software managing the test.
13	MPU	Device architecture supports MPUs on certain peripheral ports in the Main SS that include L2 Memory, PCR peripheral access, QSPI access, R5F AXI-peripheral access. This allows configuring access permissions to these key regions in the Main SS. By default, this control resides with the HSM.
14	MPU for DMAs	Device architecture supports MPUs on Main SS DMAs. DMAs also includes MPUs on both read and writes host ports. EDMA MPUs supports 8 regions. Failure detection by MPU is reported to the core as an interrupt via local ESM.
15	Interconnect Safety	Device architecture supports hardware based protection mechanisms for transfers over the system interconnect. Since code execution includes instruction fetches from memories hosted on the interconnect, the transfers over the interconnect are designed to be safe by a combination of parity and redundancy based mechanisms. Any failures detected in the transfers are reported over the ESM interface. This mechanism is enabled by default in HW.
16	Error Signaling Module	When a diagnostic detects a fault, the error must be indicated. The Device architecture provides aggregation of fault indication from internal monitoring/diagnostic mechanisms using a peripheral logic known as the Error Signaling Module (ESM). The ESM provides mechanisms to classify errors by severity and to provide programmable error response. ESM module is configured by customer application code and specific error signals can be enabled or masked to generate an interrupt (Low/High priority) for the MSS R5F CPU. Device supports Nerror output signal (IO) which can be monitored externally to identify any kind of high severity faults in the design which are not be handled by the R5F.
17	Temperature Sensor	Device architecture supports various temperature sensors at temperature hotspots in digital across the device that can be monitored by the application using an internal GPADC channel.
18	Voltage Monitors	Device architecture supports monitoring the supply rails connected to the chip, in conjunction with external voltage monitors.
DSP subsystem		
1	Boot time LBIST for DSP core	Device supports boot time LBIST for the DSP Core. LBIST can be triggered by the MSS R5F secondary bootloader/ application code before starting the functional safety application.
2	Boot time PBIST for L1P, L1D, L2 and L3 Memories, HWA memories, RSS Memories (ADCBUF, CQ Memory), Mailbox	Device architecture supports a hardware programmable memory BIST (PBIST) engine for DSPSS and RSS memories which provide a very high diagnostic coverage (March-13n). PBIST is triggered by MSS R5F secondary bootloader/application code before starting the functional safety application.
3	Parity on L1P, ECC on L1D	Device architecture supports Parity diagnostic on DSP's L1P memory. Parity error is reported to the CPU as an interrupt. L1D memory is covered by SECEDED ECC.
4	ECC on DSP's L2 Memory	Device architecture supports both Parity Single error correction double error detection (SECEDED) ECC diagnostic on DSP's L1D and L2 memory. L2 Memory is a unified 384KB of memory used to store program and Data sections for the DSP. A 12-bit code word is used to store the ECC data as calculated over the 256-bit data bus (logical instruction fetch size). The ECC logic for the L2 access is located in the DSP and evaluation is done by the ECC control logic inside the DSP. This scheme provides end-to-end diagnostics on the transmissions between DSP and L2. Byte aligned Parity mechanism is also available on L2 to take care of data section.
5	ECC on Radar Data Cube (L3) Memory, HWA Memories, RSS Memory (ADCBUF), Mailbox	L3 memory is used as Radar data section in the device. The architecture supports Single error correction double error detection (SECEDED) ECC diagnostic on L3 memory. A 12-bit code word is used to store the ECC data as calculated over the 256-bit data bus. The RSS memory (ADCBUF) too supports the SECEDED ECC diagnostics. Failure detection by ECC logic is reported to the DSP core as an interrupt via ESM.
6	RTI/WD for DSP Core	Device architecture supports the use of an internal watchdog for DSP C66x that is implemented in the real-time interrupt (RTI) module – replication of same module as used in Main SS. This module supports same features as that of RTI/WD for MSS. This watchdog is enabled by customer application code and Timeout condition is reported via an interrupt to DSP and/or MSS R5F and rest is left to application code in MSS R5F to take the device to a safe state.

Table 9-1. Monitoring and Diagnostic Mechanisms for AWR2944P/AWR2E44P/AWR2944-ECO/AWR2E44-ECO/AWR2944LC/AWR2E44LC (continued)

NO	FEATURE	DESCRIPTION
7	CRC for DSP subsystem	<p>Device architecture supports hardware CRC engine on DSPSS implementing the below polynomials.</p> <ul style="list-style-type: none"> • CRC16 CCITT – 0x10 • CRC32 Ethernet – 0x04C11DB7 • CRC64 • CRC 32C – CASTAGNOLI – 0x1EDC6F4 • CRC64 ECMA <p>The read operation of the SRAM contents to the CRC can be done by CPU or by DMA. The comparison of results, indication of fault, and fault response are the responsibility of the software managing the test.</p>
8	MPU for DSP	Device architecture supports MPUs for DSP memory accesses (L1D, L1P, and L2). L2 memory supports 64 regions and 16 regions for L1P and L1D each. Failure detection by MPU is reported to the DSP core as an abort.
9	MPU	Device architecture supports MPUs on certain peripheral ports in the DSP SS that include L3 Memory banks. This allows configuring access permissions to these key regions in the DSP SS. By default, this control resides with the HSM.
BIST (Within RADAR subsystem)		
NOTE: BIST is handled by the TI firmware. Refer to the mmWave Interface Control Document (as a part of mmWave-MCUPLUS-SDK package) and safety manual for information on safety mechanisms.		

Note

Refer to the Device Safety Manual or other relevant collaterals for more details on applicability of all diagnostics mechanisms.

10 Applications, Implementation, and Layout

Note

Information in the following Applications section is not part of the TI component specification, and TI does not warrant its accuracy or completeness. TI's customers are responsible for determining suitability of components for their purposes. Customers should validate and test their design implementation to confirm system functionality.

10.1 Application Information

Key device features driving the following applications are:

- Integration of Radar Front End and Programmable MCU
- Launch on Package (LOP) Antenna Interface for AWR2E44P/LC/ECO
- Flexible boot modes: Autonomous application boot using a serial flash or external boot over SPI
- Hardware Security Module
- High speed up to 1000Mbps Fast Ethernet Support

10.2 Short, Medium, and Long Range Radar

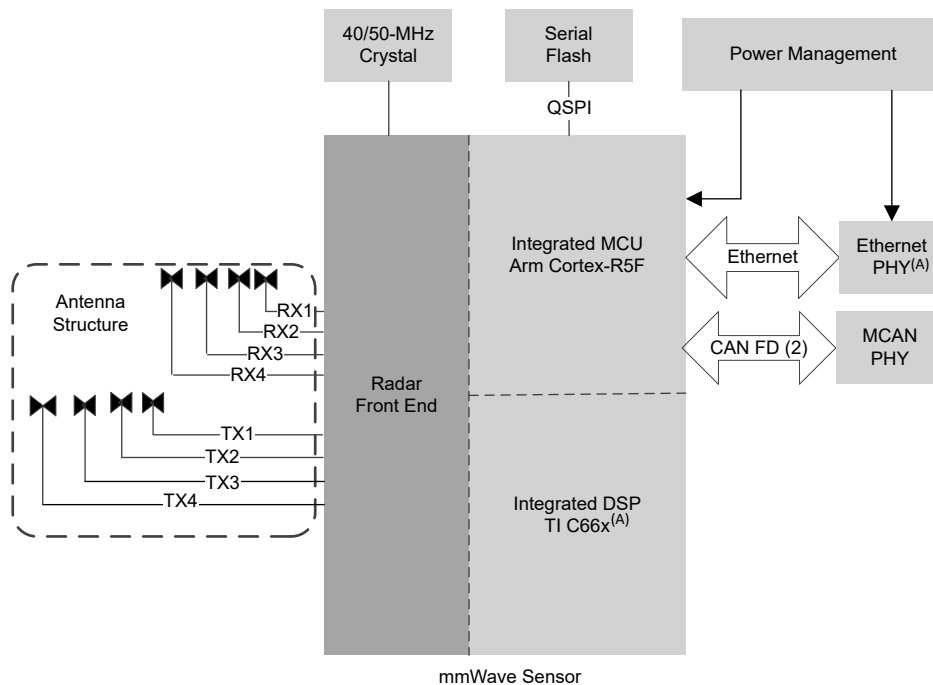


Figure 10-1. Short, Medium, and Long Range Radar

Note

A. DSP and Ethernet is available on selected part numbers. For more details, refer to [Section 4](#)

10.3 Reference Schematic

For reference schematics and power supply information, please contact TI Representative for access.

11 Device and Documentation Support

TI offers an extensive line of development tools. Tools and software to evaluate the performance of the device, generate code, and develop solutions are listed below.

11.1 Device Nomenclature

To designate the stages in the product development cycle, TI assigns prefixes to the part numbers of all microprocessors (MPUs) and support tools. Each device has one of three prefixes: X, P, or null (no prefix) (for example, *XA2F44BDALL*). Texas Instruments recommends two of three possible prefix designators for its support tools: TMDX and TMDS. These prefixes represent evolutionary stages of product development from engineering prototypes (TMDX) through fully qualified production devices and tools (TMDS).

Device development evolutionary flow:

X Experimental device that is not necessarily representative of the final device's electrical specifications and may not use production assembly flow.

P Prototype device that is not necessarily the final silicon die and may not necessarily meet final electrical specifications.

null Production version of the silicon die that is fully qualified.

Support tool development evolutionary flow:

TMDX Development-support product that has not yet completed Texas Instruments internal qualification testing.

TMDS Fully-qualified development-support product.

X and P devices and TMDX development-support tools are shipped against the following disclaimer:

"Developmental product is intended for internal evaluation purposes."

Production devices and TMDS development-support tools have been characterized fully, and the quality and reliability of the device have been demonstrated fully. TI's standard warranty applies.

Predictions show that prototype devices (X or P) have a greater failure rate than the standard production devices. Texas Instruments recommends that these devices not be used in any production system because their expected end-use failure rate still is undefined. Only qualified production devices are to be used.

TI device nomenclature also includes a suffix with the device family name. This suffix indicates the package type (for example, *your package*), the temperature range (for example, blank is the default commercial temperature range), and the device speed range, in megahertz (for example, *your device speed range*). Figure x provides a legend for reading the complete device name for any *your device* device.

For orderable part numbers of *your device* devices in the *your package* package types, see the Package Option Addendum of this document, ti.com, or contact your TI sales representative.

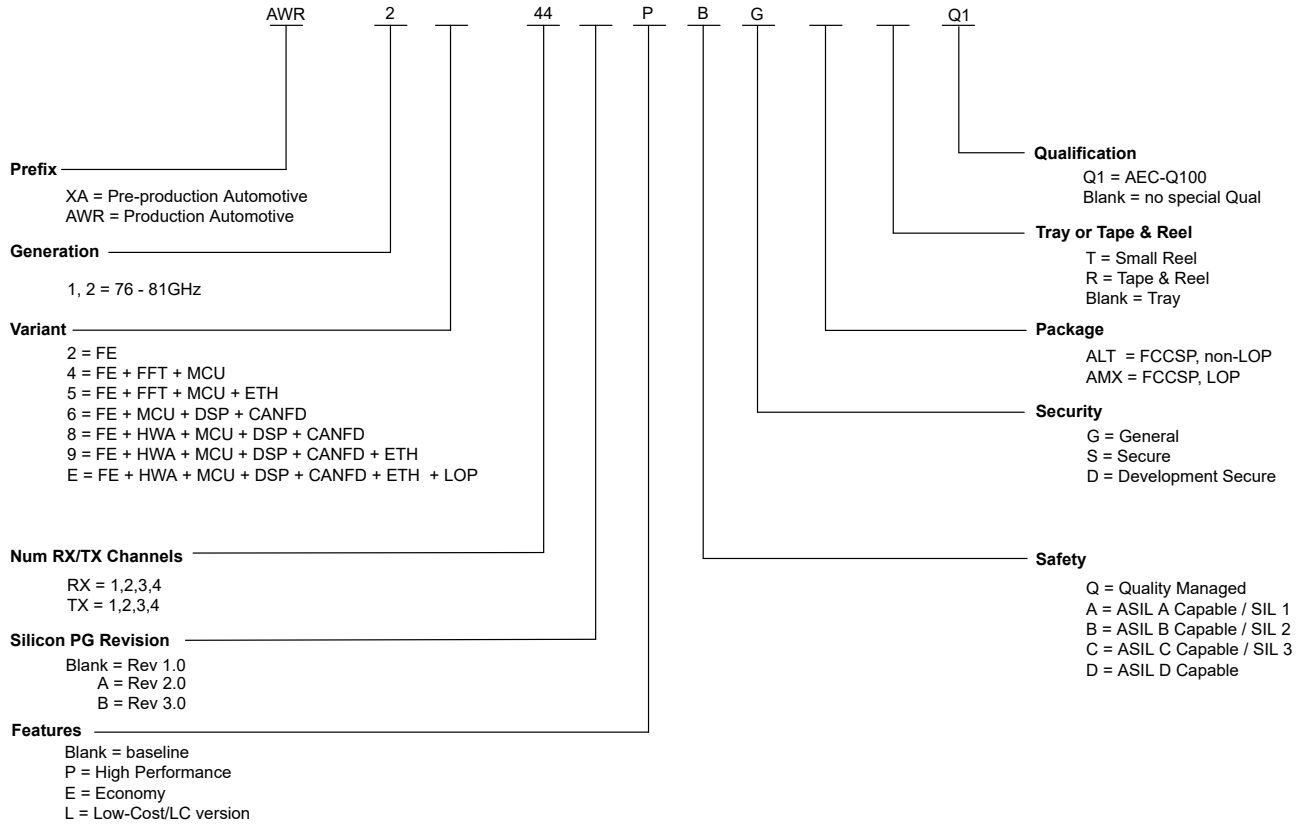


Figure 11-1. Device Nomenclature

11.2 Tools and Software

Boundary scan database of testable input and output pins for IEEE 1149.1 of the specific device can be obtained by contacting a TI representative.

IBIS model IO buffer information model for the IO buffers of the device can be obtained by contacting a TI representative. For simulation on a circuit board, see IBIS Open Forum.

11.3 Documentation support

To receive notification of documentation updates, navigate to the device product folder on ti.com. Click on *Notifications* to register and receive a weekly digest of any product information that has changed. For change details, review the revision history included in any revised document.

The contents in this section will be updated in subsequent versions.

11.4 Support Resources

[TI E2E™ support forums](#) are an engineer's go-to source for fast, verified answers and design help — straight from the experts. Search existing answers or ask your own question to get the quick design help you need.

Linked content is provided "AS IS" by the respective contributors. They do not constitute TI specifications and do not necessarily reflect TI's views; see TI's [Terms of Use](#).

11.5 Trademarks

TI E2E™ is a trademark of Texas Instruments.

Arm® and Cortex-R5F® are registered trademarks of Arm Limited.

All trademarks are the property of their respective owners.

11.6 Electrostatic Discharge Caution



This integrated circuit can be damaged by ESD. Texas Instruments recommends that all integrated circuits be handled with appropriate precautions. Failure to observe proper handling and installation procedures can cause damage.

ESD damage can range from subtle performance degradation to complete device failure. Precision integrated circuits may be more susceptible to damage because very small parametric changes could cause the device not to meet its published specifications.

11.7 Glossary

[TI Glossary](#) This glossary lists and explains terms, acronyms, and definitions.

12 Revision History

Changes from November 30, 2024 to June 30, 2025 (from Revision * (November 2024) to Revision A (June 2025))

	Page
• Changed AEC-Q100 to qualified instead of planned	0
• Updated LC variant information that it doesn't support DSP, Ethernet and LVDS.....	0
• <i>(Features)</i> : Updated version of HWA from 2.0 to 2.1.....	1
• Updated ASIL-B to qualified.....	1
• Added RTM OPN for device variants.....	2
• Updated description of Cortex-M4.....	2
• Updated functional block diagram.....	4
• Added row for DSS_M4 for HWA control.....	6
• Updated tables.....	24
• <i>(Power Supply Specification)</i> : Added recommendations on power management solutions.....	40
• <i>(Multibuffered / Standard Serial Peripheral Interface (MibSPI))</i> : Updated table and figure.....	42
• <i>(Multibuffered / Standard Serial Peripheral Interface (MibSPI))</i> : Updated clock duty cycle.....	50
• <i>(Multibuffered / Standard Serial Peripheral Interface (MibSPI))</i> : Updated clock duty cycle.....	53
• Updated TX spec.....	57
• <i>(MII Transmit Switching Characteristics)</i> : Updated/Changed <i>Delay time, miin_txclk to transmit selected signals valid, i.e. [No. 1]</i> from 3ns to 0ns (Min).....	60
• <i>(Ethernet Switch (RGMII/RMII/MII) Peripheral)</i> : Updated MDIO clock duty cycle.....	62
• <i>(Receiver subsystem)</i> : Updated to 20MHz.....	74
• <i>(Processor subsection)</i> : Added M4 core to figure.....	75
• <i>(Processor subsection)</i> : Updated to 1.5/2.5/3MB for L3.....	75
• <i>(Monitoring and Diagnostic Mechanisms)</i> : Updated the section and added a note for reference to safety related collateral.	79
• <i>(Monitoring and Diagnostic Mechanisms)</i> : Removed CRC-8 support since polynomials are not supported in the Design.....	79
• <i>(Device Nomenclature)</i> : Changed XA to AWR.....	84

13 Mechanical, Packaging, and Orderable Information

The following pages include mechanical, packaging, and orderable information. This information is the most current data available for the designated devices. This data is subject to change without notice and revision of this document. For browser-based versions of this data sheet, refer to the left-hand navigation.

PACKAGING INFORMATION

Orderable part number	Status (1)	Material type (2)	Package Pins	Package qty Carrier	RoHS (3)	Lead finish/ Ball material (4)	MSL rating/ Peak reflow (5)	Op temp (°C)	Part marking (6)
AWR2E44EBGAMXRQ1	Active	Production	FCCSP (AMX) 278	1000 LARGE T&R	Yes	Call TI	Level-3-260C-168 HR	-40 to 140	AWR2E44E BG 539A
AWR2E44LBGAMXRQ1	Active	Production	FCCSP (AMX) 278	1000 LARGE T&R	Yes	Call TI	Level-3-260C-168 HR	-40 to 140	AWR2E44L BG 539A
AWR2E44PBGAMXRQ1	Active	Production	FCCSP (AMX) 278	1000 LARGE T&R	Yes	Call TI	Level-3-260C-168 HR	-40 to 140	AWR2E44P BG 539A
XA2944PBGALT	Active	Preproduction	FCCSP (ALT) 266	1 JEDEC TRAY (10+1)	-	Call TI	Call TI	-40 to 140	
XA2944PBGALT.B	Active	Preproduction	FCCSP (ALT) 266	1 JEDEC TRAY (10+1)	-	Call TI	Call TI	-40 to 140	
XA2E44PBGAMX	Active	Preproduction	FCCSP (AMX) 278	1 JEDEC TRAY (10+1)	-	Call TI	Call TI	-40 to 140	
XA2E44PBGAMX.B	Active	Preproduction	FCCSP (AMX) 278	1 JEDEC TRAY (10+1)	-	Call TI	Call TI	-40 to 140	

⁽¹⁾ **Status:** For more details on status, see our [product life cycle](#).

⁽²⁾ **Material type:** When designated, preproduction parts are prototypes/experimental devices, and are not yet approved or released for full production. Testing and final process, including without limitation quality assurance, reliability performance testing, and/or process qualification, may not yet be complete, and this item is subject to further changes or possible discontinuation. If available for ordering, purchases will be subject to an additional waiver at checkout, and are intended for early internal evaluation purposes only. These items are sold without warranties of any kind.

⁽³⁾ **RoHS values:** Yes, No, RoHS Exempt. See the [TI RoHS Statement](#) for additional information and value definition.

⁽⁴⁾ **Lead finish/Ball material:** Parts may have multiple material finish options. Finish options are separated by a vertical ruled line. Lead finish/Ball material values may wrap to two lines if the finish value exceeds the maximum column width.

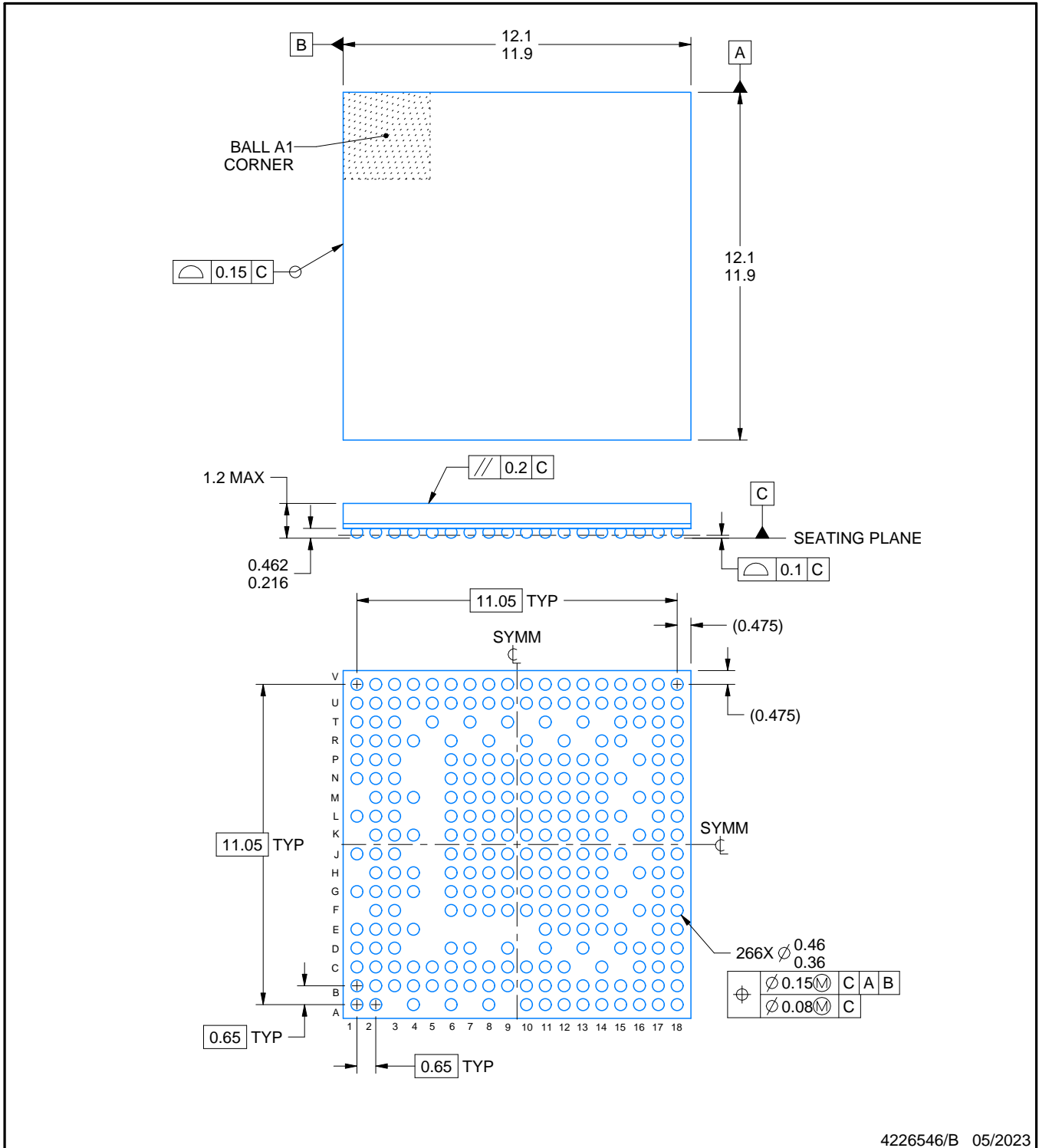
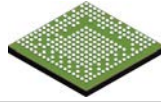
⁽⁵⁾ **MSL rating/Peak reflow:** The moisture sensitivity level ratings and peak solder (reflow) temperatures. In the event that a part has multiple moisture sensitivity ratings, only the lowest level per JEDEC standards is shown. Refer to the shipping label for the actual reflow temperature that will be used to mount the part to the printed circuit board.

⁽⁶⁾ **Part marking:** There may be an additional marking, which relates to the logo, the lot trace code information, or the environmental category of the part.

Multiple part markings will be inside parentheses. Only one part marking contained in parentheses and separated by a "-" will appear on a part. If a line is indented then it is a continuation of the previous line and the two combined represent the entire part marking for that device.

Important Information and Disclaimer: The information provided on this page represents TI's knowledge and belief as of the date that it is provided. TI bases its knowledge and belief on information provided by third parties, and makes no representation or warranty as to the accuracy of such information. Efforts are underway to better integrate information from third parties. TI has taken and continues to take reasonable steps to provide representative and accurate information but may not have conducted destructive testing or chemical analysis on incoming materials and chemicals. TI and TI suppliers consider certain information to be proprietary, and thus CAS numbers and other limited information may not be available for release.

In no event shall TI's liability arising out of such information exceed the total purchase price of the TI part(s) at issue in this document sold by TI to Customer on an annual basis.



4226546/B 05/2023

NOTES:

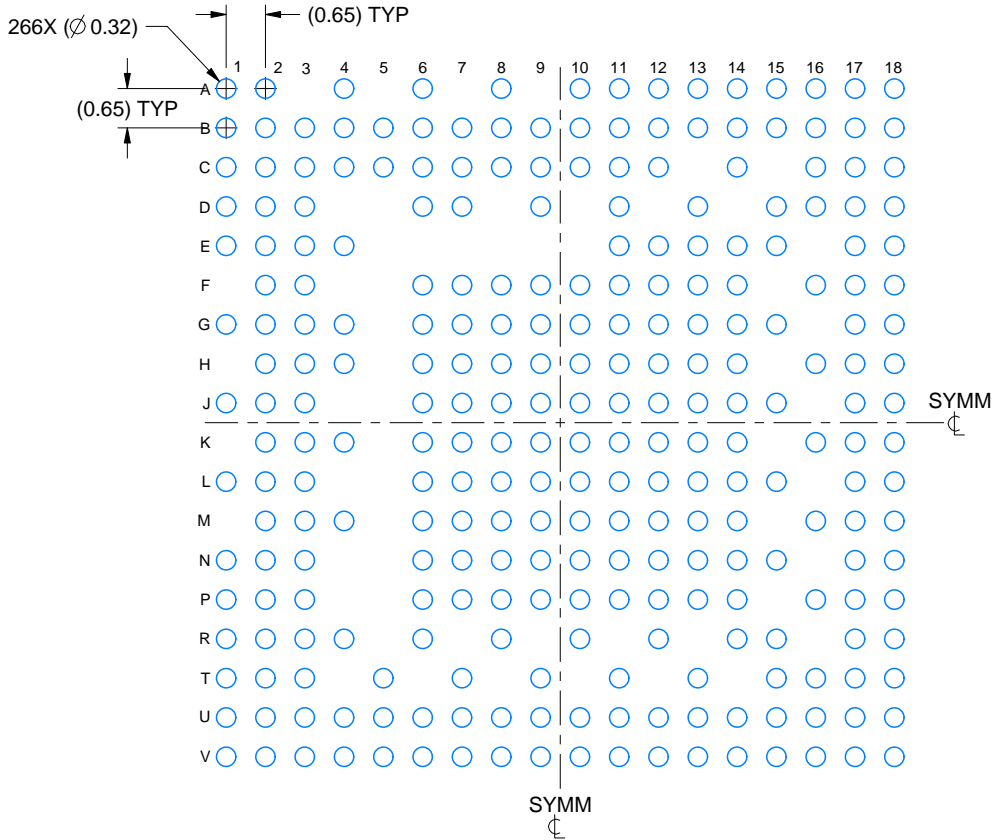
1. All linear dimensions are in millimeters. Any dimensions in parenthesis are for reference only. Dimensioning and tolerancing per ASME Y14.5M.
2. This drawing is subject to change without notice.

EXAMPLE BOARD LAYOUT

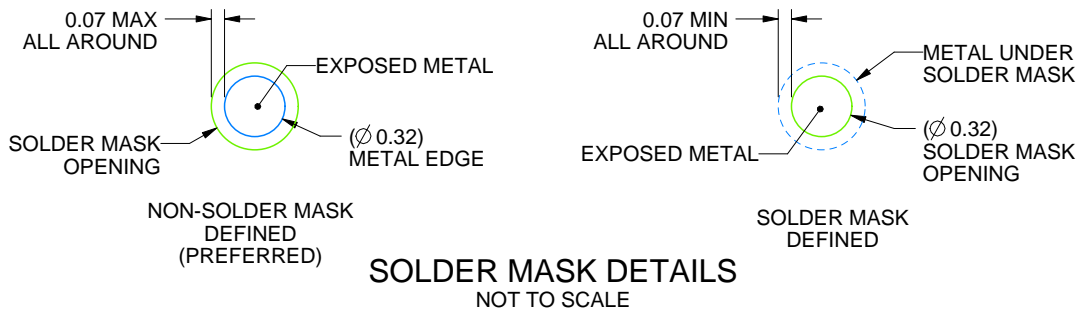
ALT0266A

FCBGA - 1.2 mm max height

BALL GRID ARRAY



LAND PATTERN EXAMPLE
EXPOSED METAL SHOWN
SCALE: 8X



4226546/B 05/2023

NOTES: (continued)

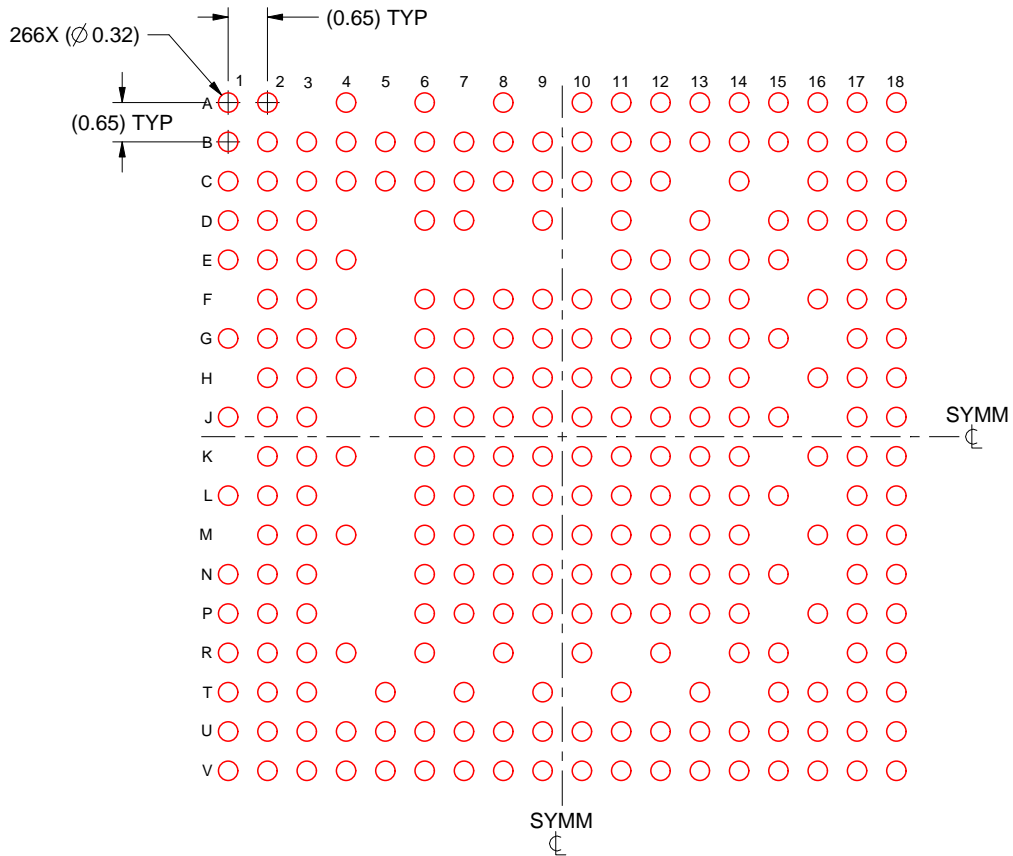
- Final dimensions may vary due to manufacturing tolerance considerations and also routing constraints. For information, see Texas Instruments literature number SPRAA99 (www.ti.com/lit/spraa99).

EXAMPLE STENCIL DESIGN

ALT0266A

FCBGA - 1.2 mm max height

BALL GRID ARRAY



SOLDER PASTE EXAMPLE
BASED ON 0.125 mm THICK STENCIL
SCALE: 8X

4226546/B 05/2023

NOTES: (continued)

4. Laser cutting apertures with trapezoidal walls and rounded corners may offer better paste release.

IMPORTANT NOTICE AND DISCLAIMER

TI PROVIDES TECHNICAL AND RELIABILITY DATA (INCLUDING DATA SHEETS), DESIGN RESOURCES (INCLUDING REFERENCE DESIGNS), APPLICATION OR OTHER DESIGN ADVICE, WEB TOOLS, SAFETY INFORMATION, AND OTHER RESOURCES "AS IS" AND WITH ALL FAULTS, AND DISCLAIMS ALL WARRANTIES, EXPRESS AND IMPLIED, INCLUDING WITHOUT LIMITATION ANY IMPLIED WARRANTIES OF MERCHANTABILITY, FITNESS FOR A PARTICULAR PURPOSE OR NON-INFRINGEMENT OF THIRD PARTY INTELLECTUAL PROPERTY RIGHTS.

These resources are intended for skilled developers designing with TI products. You are solely responsible for (1) selecting the appropriate TI products for your application, (2) designing, validating and testing your application, and (3) ensuring your application meets applicable standards, and any other safety, security, regulatory or other requirements.

These resources are subject to change without notice. TI grants you permission to use these resources only for development of an application that uses the TI products described in the resource. Other reproduction and display of these resources is prohibited. No license is granted to any other TI intellectual property right or to any third party intellectual property right. TI disclaims responsibility for, and you will fully indemnify TI and its representatives against, any claims, damages, costs, losses, and liabilities arising out of your use of these resources.

TI's products are provided subject to [TI's Terms of Sale](#) or other applicable terms available either on [ti.com](https://www.ti.com) or provided in conjunction with such TI products. TI's provision of these resources does not expand or otherwise alter TI's applicable warranties or warranty disclaimers for TI products.

TI objects to and rejects any additional or different terms you may have proposed.

Mailing Address: Texas Instruments, Post Office Box 655303, Dallas, Texas 75265

Copyright © 2025, Texas Instruments Incorporated