

1-967630-3 ✓ ACTIVE

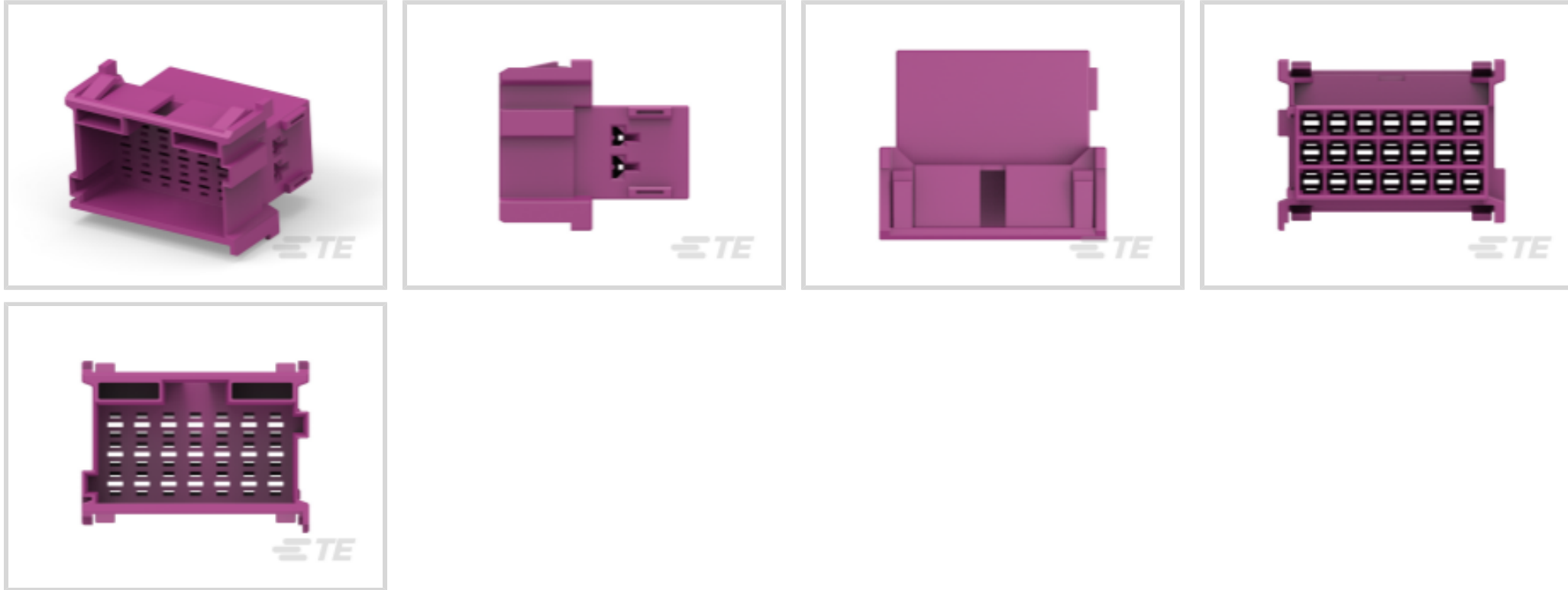
TE Internal #: 1-967630-3

Housing for Male Terminals, Wire-to-Wire, 21 Position, 5 mm [.197 in] Centerline, Purple, Wire & Cable, Power, Cable Mount (Free-Hanging)

[View on TE.com >](#)



Connectors > Automotive Connectors > Automotive Housings



Connector System: **Wire-to-Wire**

Number of Positions: **21**

Connector & Housing Type: **Housing for Male Terminals**

Centerline (Pitch): **5 mm [.197 in]**

Sealable: **No**

## Features

### Product Type Features

Mixed & Hybrid Connector	No
Connector Shape	Rectangular
Connector System	Wire-to-Wire
Connector & Housing Type	Housing for Male Terminals
Sealable	No
Connector & Contact Terminates To	Wire & Cable
Primary Locking Feature	Integrated in Housing

### Configuration Features

Number of Positions	21
Number of Rows	3

### Electrical Characteristics

Operating Voltage	28 VDC
Nominal Voltage Architecture	28 V

### Body Features



Cable Exit Angle	180°
Primary Product Color	Purple
Connector & Keying Code	A

#### Contact Features

Contact Size	2.8mm
Contact Type	Tab
Mating Tab Width	2.8 mm [.11 in]

#### Mechanical Attachment

Terminal Position Assurance	No
Strain Relief	Without
Mating Alignment Type	Keyed
Mating Alignment	With
Connector Mounting Type	Cable Mount (Free-Hanging)

#### Housing Features

Housing Material	PA GF
Centerline (Pitch)	5 mm [.197 in]

#### Dimensions

Connector Height	30.6 mm [1.205 in]
Product Width	35.45 mm [1.396 in]
Product Length	42.5 mm [1.673 in]

#### Usage Conditions

Operating Temperature (Max)	120 °C [248 °F]
Operating Temperature Range	-40 – 120 °C [-40 – 248 °F]

#### Operation/Application

Circuit Application	Power
---------------------	-------

#### Packaging Features

Packaging Method	Bag
------------------	-----

#### Other

Serviceable	No
Connector Position Assurance Capable	No

#### Product Compliance



[For compliance documentation, visit the product page on TE.com>](#)

EU RoHS Directive 2011/65/EU	Compliant
EU ELV Directive 2000/53/EC	Compliant
China RoHS 2 Directive MIIT Order No 32, 2016	No Restricted Materials Above Threshold
EU REACH Regulation (EC) No. 1907/2006	Current ECHA Candidate List: JUNE 2024 (241) Candidate List Declared Against: JAN 2024 (240) Does not contain REACH SVHC
Halogen Content	BFR/CFR/PVC Free, but Br/Cl >900 ppm in other sources.
Solder Process Capability	Not applicable for solder process capability

Product Compliance Disclaimer

This information is provided based on reasonable inquiry of our suppliers and represents our current actual knowledge based on the information they provided. This information is subject to change. The part numbers that TE has identified as EU RoHS compliant have a maximum concentration of 0.1% by weight in homogenous materials for lead, hexavalent chromium, mercury, PBB, PBDE, DBP, BBP, DEHP, DIBP, and 0.01% for cadmium, or qualify for an exemption to these limits as defined in the Annexes of Directive 2011/65/EU (RoHS2). Finished electrical and electronic equipment products will be CE marked as required by Directive 2011/65/EU. Components may not be CE marked. Additionally, the part numbers that TE has identified as EU ELV compliant have a maximum concentration of 0.1% by weight in homogenous materials for lead, hexavalent chromium, and mercury, and 0.01% for cadmium, or qualify for an exemption to these limits as defined in the Annexes of Directive 2000/53/EC (ELV). Regarding the REACH Regulation, the information TE provides on SVHC in articles for this part number is based on the latest European Chemicals Agency (ECHA) 'Guidance on requirements for substances in articles' posted at this URL: <https://echa.europa.eu/guidance-documents/guidance-on-reach>

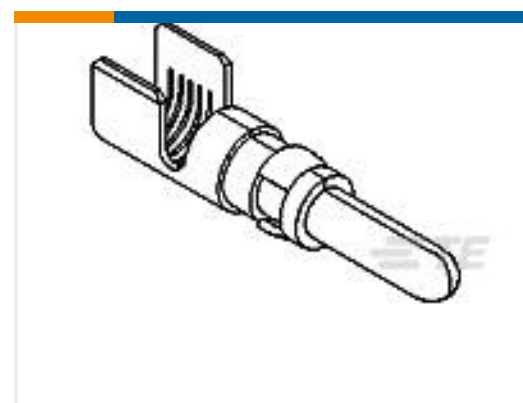
## Compatible Parts



## Customers Also Bought



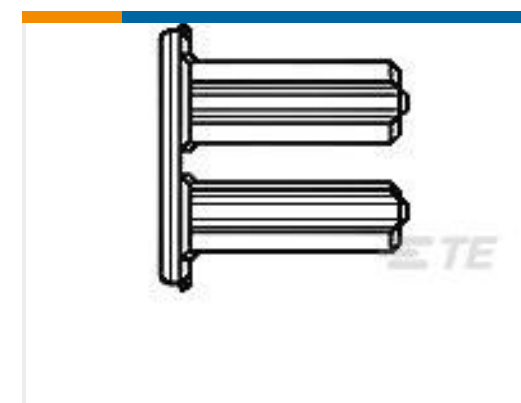
TE Part #1-967625-2  
Timer Connector Housing



TE Part #213841-1  
POWERBAND CONT ASSY,SILVER PLT



TE Part #1-967630-1  
FLA STEGEHZ



TE Part #967635-1  
2.0 KONT



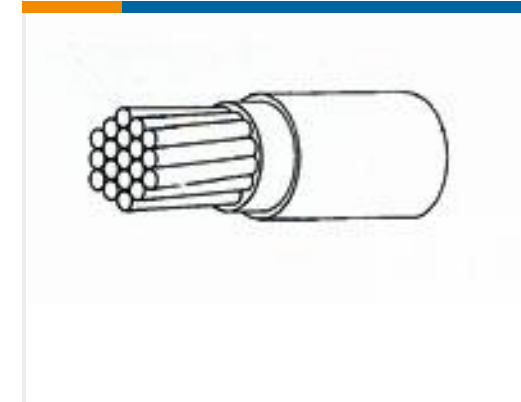
TE Part #1-66741-2  
TYPE XII FEMALE CONTACT



TE Part #2151426-2  
OCEAN\_2.0\_APPLICATOR-S-  
140F210O-RSA



TE Part #7-2151426-7  
OCEAN\_2.0\_SPARE\_PART\_KIT-  
140F210O



TE Part #CQ11973001  
55A0811-10-9CK5050

## Documents

### Product Drawings

#### FLACHSTE-GEH2,8 21P

English

### CAD Files

#### Customer View Model

[ENG\\_CVM\\_CVM\\_1-967630-3\\_E.2d\\_dxf.zip](#)

English

#### 3D PDF

3D

#### Customer View Model

[ENG\\_CVM\\_CVM\\_1-967630-3\\_E.3d\\_igs.zip](#)

English

#### Customer View Model

[ENG\\_CVM\\_CVM\\_1-967630-3\\_E.3d\\_stp.zip](#)

English

By downloading the CAD file I accept and agree to the [Terms and Conditions](#) of use.

### Product Specifications

#### Application Specification

English