



CII

TE Internal #: 1617125-1

General Purpose Signal Relay, DC, Non-Polarized, Monostable, 2 Form C DPDT-CO, 1 A Contact Rating, 12 VDC Coil Voltage, .369 W Coil Power

[View on TE.com >](#)

Relays & Contactors > Electromechanical Relays



Relay & Contactor Type: **General Purpose Signal Relay**

Coil Magnetic System: **Non-Polarized, Monostable**

Contact Arrangement: **2 Form C DPDT-CO**

Current Type: **DC**

Contact Current Rating: **1 A**

Features

Product Type Features

| | |
|------------------------|------------------------------|
| Relay & Contactor Type | General Purpose Signal Relay |
|------------------------|------------------------------|

Configuration Features

| | |
|---------------------|------------------|
| Contact Arrangement | 2 Form C DPDT-CO |
|---------------------|------------------|

Electrical Characteristics

| | |
|---------------------------------|--------|
| Contact Switching Voltage (Max) | 28 VDC |
| Coil Resistance | 390 Ω |
| Contact Current Rating | 1 A |
| Coil Voltage Rating | 12 VDC |
| Coil Power Rating DC | .369 W |

Body Features

| | |
|----------------|---------------------|
| Enclosure Type | Hermetically Sealed |
|----------------|---------------------|

Termination Features

| | |
|------------------------------------|----------------|
| Main Termination & Connection Type | Extended Leads |
| Coil Termination & Connection Type | Extended Leads |

Mechanical Attachment

| | |
|--------------------|-----------------------|
| Product Mount Type | Printed Circuit Board |
|--------------------|-----------------------|

Usage Conditions



| | |
|---|----------------|
| Operating Temperature Range | -65 – 125 °C |
| Environmental Ambient Temperature (Max) | 125 °C[257 °F] |

Operation/Application

| | |
|----------------------|---------------------------|
| Vibration Resistance | 30G's, 10 – 3000Hz |
| Shock Resistance | 75G's, 6ms |
| Coil Magnetic System | Non-Polarized, Monostable |
| Current Type | DC |

Product Compliance

[For compliance documentation, visit the product page on TE.com>](#)

| | |
|---|--|
| EU RoHS Directive 2011/65/EU | Compliant |
| EU ELV Directive 2000/53/EC | Not Compliant |
| China RoHS 2 Directive MIIT Order No 32, 2016 | No Restricted Materials Above Threshold |
| EU REACH Regulation (EC) No. 1907/2006 | Current ECHA Candidate List: JUNE 2024 (241) Candidate List Declared Against: JAN 2022 (223) Does not contain REACH SVHC |
| Halogen Content | Low Halogen - Br, Cl, F, I < 900 ppm per homogenous material. Also BFR/CFR/PVC Free |
| Solder Process Capability | Not lead free process capable |

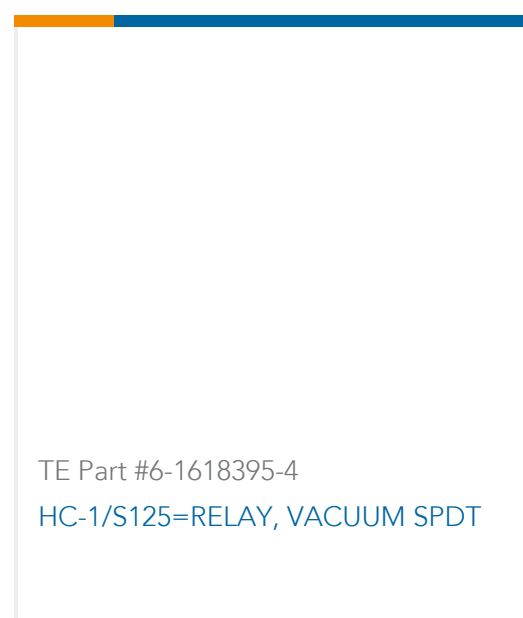
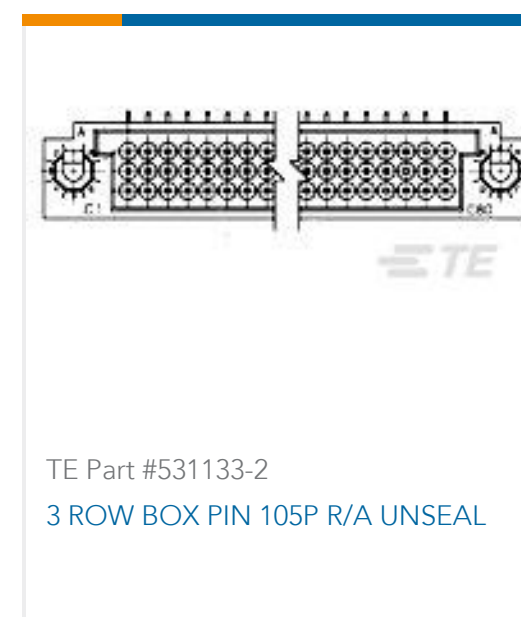
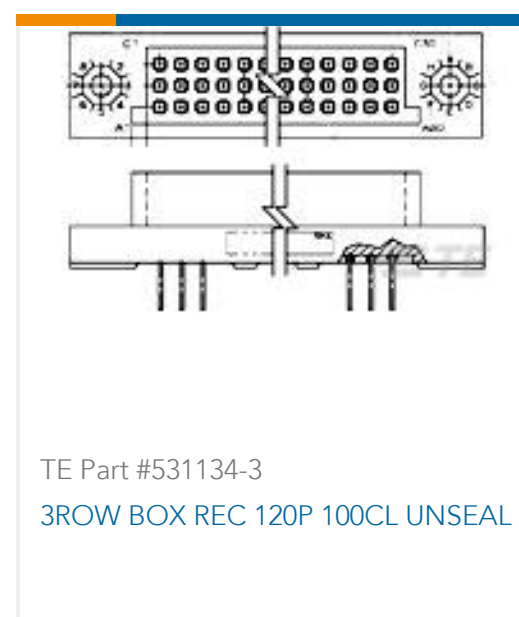
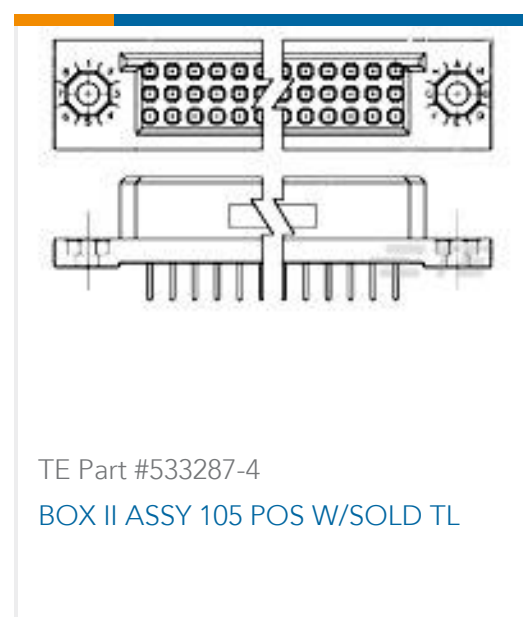
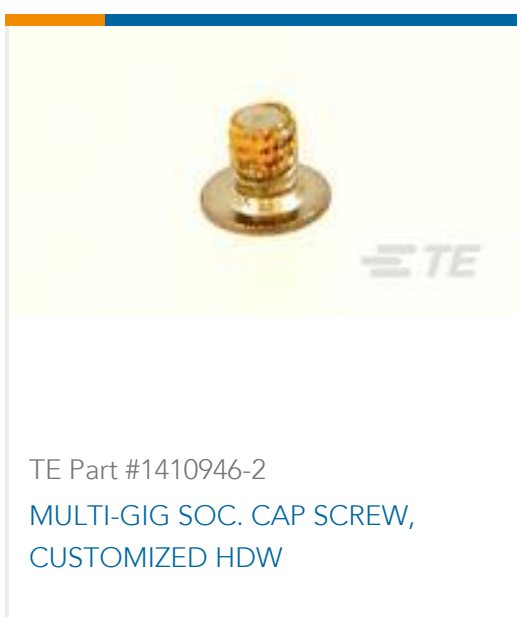
Product Compliance Disclaimer

This information is provided based on reasonable inquiry of our suppliers and represents our current actual knowledge based on the information they provided. This information is subject to change. The part numbers that TE has identified as EU RoHS compliant have a maximum concentration of 0.1% by weight in homogenous materials for lead, hexavalent chromium, mercury, PBB, PBDE, DBP, BBP, DEHP, DIBP, and 0.01% for cadmium, or qualify for an exemption to these limits as defined in the Annexes of Directive 2011/65/EU (RoHS2). Finished electrical and electronic equipment products will be CE marked as required by Directive 2011/65/EU. Components may not be CE marked. Additionally, the part numbers that TE has identified as EU ELV compliant have a maximum concentration of 0.1% by weight in homogenous materials for lead, hexavalent chromium, and mercury, and 0.01% for cadmium, or qualify for an exemption to these limits as defined in the Annexes of Directive 2000/53/EC (ELV). Regarding the REACH Regulation, the information TE provides on SVHC in articles for this part number is based on the latest European Chemicals Agency (ECHA) 'Guidance on requirements for substances in articles' posted at this URL: <https://echa.europa.eu/guidance-documents/guidance-on-reach>

Compatible Parts



Customers Also Bought



Documents

CAD Files

[3D PDF](#)

[3D](#)

Customer View Model

[ENG_CVM_CVM_1617125-1_F.2d_dxf.zip](#)

English

Customer View Model

[ENG_CVM_CVM_1617125-1_F.3d_igs.zip](#)

English



Customer View Model

[ENG_CVM_CVM_1617125-1_F.3d_stp.zip](#)

English

By downloading the CAD file I accept and agree to the [Terms and Conditions](#) of use.

Datasheets & Catalog Pages

[RELAY](#)

English