



Connectors > Rectangular Connectors > Rectangular Connector Housings



Connector System: **Wire-to-Panel**

Housing Material: **Aluminum**

Connector & Housing Type: **Receptacle**

Contact Type: **Pin, Socket**

Connector & Contact Terminates To: **Wire & Cable**

Features

Product Type Features

Connector System	Wire-to-Panel
Connector & Housing Type	Receptacle
Connector & Contact Terminates To	Wire & Cable

Configuration Features

Number of Cavities	2
--------------------	---

Contact Features

Contact Current Rating (Max)	7.5 A
Contact Type	Pin, Socket

Mechanical Attachment

Connector Mounting Type	Panel Mount
-------------------------	-------------

Housing Features

Housing Material	Aluminum
------------------	----------

Dimensions

Product Length	47.7 mm
----------------	---------

Usage Conditions

Operating Temperature Range	-65 – 155 °C[-85 – 311 °F]
-----------------------------	----------------------------

Operation/Application

Circuit Application	Power
---------------------	-------



Packaging Features

Packaging Quantity	1
Packaging Method	Package

Product Compliance

[For compliance documentation, visit the product page on TE.com>](#)

EU RoHS Directive 2011/65/EU	Compliant
EU ELV Directive 2000/53/EC	Compliant
China RoHS 2 Directive MIIT Order No 32, 2016	No Restricted Materials Above Threshold
EU REACH Regulation (EC) No. 1907/2006	Current ECHA Candidate List: JUNE 2024 (241) Candidate List Declared Against: JUNE 2023 (235) Does not contain REACH SVHC
Halogen Content	Low Halogen - Br, Cl, F, I < 900 ppm per homogenous material. Also BFR/CFR/PVC Free
Solder Process Capability	Not applicable for solder process capability

Product Compliance Disclaimer

This information is provided based on reasonable inquiry of our suppliers and represents our current actual knowledge based on the information they provided. This information is subject to change. The part numbers that TE has identified as EU RoHS compliant have a maximum concentration of 0.1% by weight in homogenous materials for lead, hexavalent chromium, mercury, PBB, PBDE, DBP, BBP, DEHP, DIBP, and 0.01% for cadmium, or qualify for an exemption to these limits as defined in the Annexes of Directive 2011/65/EU (RoHS2). Finished electrical and electronic equipment products will be CE marked as required by Directive 2011/65/EU. Components may not be CE marked. Additionally, the part numbers that TE has identified as EU ELV compliant have a maximum concentration of 0.1% by weight in homogenous materials for lead, hexavalent chromium, and mercury, and 0.01% for cadmium, or qualify for an exemption to these limits as defined in the Annexes of Directive 2000/53/EC (ELV). Regarding the REACH Regulation, the information TE provides on SVHC in articles for this part number is based on the latest European Chemicals Agency (ECHA) 'Guidance on requirements for substances in articles' posted at this URL: <https://echa.europa.eu/guidance-documents/guidance-on-reach>

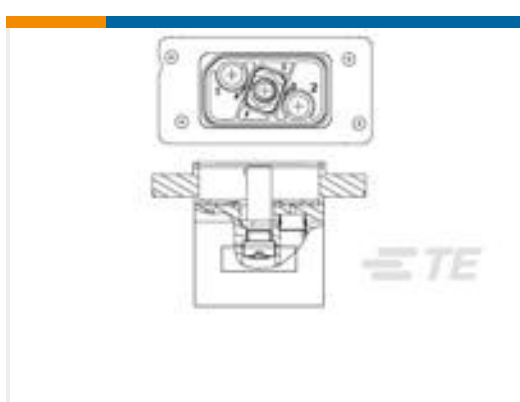
Customers Also Bought



TE Part #F78598-000
B-155-1504



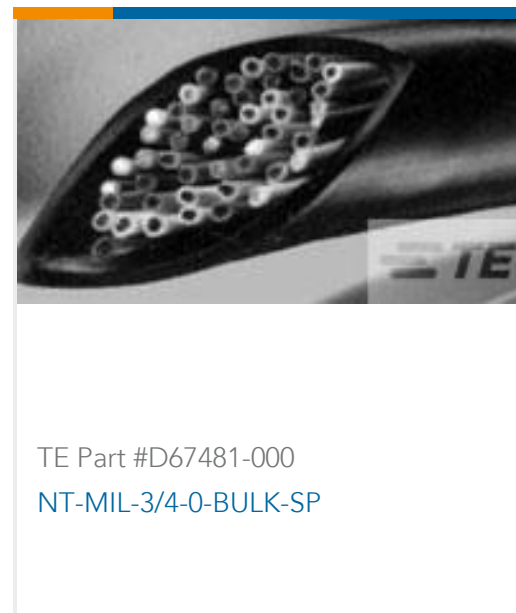
TE Part #235265J001
V2-27.0-0-FSP-SM



TE Part #1604897-5
ASY,RECEPT,PANEL MT,2 POS



TE Part #1484225-1
FILLER PLUG, SIZE 5



Documents

Product Drawings

Rcpt Shell Kit,Vert,Rear Pnl Mt,A-F Jack

English

Datasheets & Catalog Pages

ARINC 600 Next Generation Receptacle Connector

English