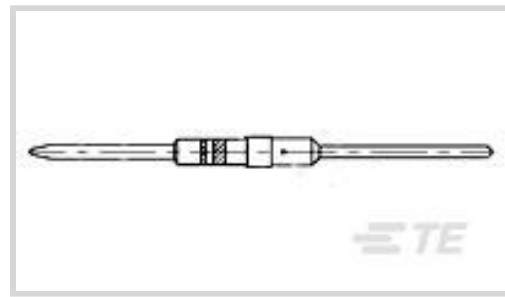


AMP

TE Internal #: 2-448138-3

Pin Contact, Gold, Retention Clip Contact Retention, Size 20

Contact Size, Copper Alloy

[View on TE.com >](#)[Connectors >](#) [Contacts >](#) [Connector Contacts](#)Contact Type: **Pin**Contact Mating Area Plating Material: **Gold**Contact Retention Within Housing: **With**Contact Retention Type Within Housing: **Retention Clip**Contact Size: **Size 20**

Features

Contact Features

Contact Mating Area Plating Material Thickness	1.27 µm[50 µin]
Contact Length	30.99 mm[1.22 in]
Contact Type	Pin
Contact Mating Area Plating Material	Gold
Contact Retention Within Housing	With
Contact Size	Size 20
Contact Base Material	Copper Alloy

Termination Features

Termination Method to PCB	Through Hole - Solder
Product Terminates To	Printed Circuit Board

Mechanical Attachment

Contact Retention Type Within Housing	Retention Clip
---------------------------------------	----------------

Identification Marking

Contact Color Code	Red/Orange
--------------------	------------

Packaging Features

Packaging Method	Package
------------------	---------

Product Compliance

[For compliance documentation, visit the product page on TE.com>](#)



EU RoHS Directive 2011/65/EU	Compliant with Exemptions
EU ELV Directive 2000/53/EC	Compliant with Exemptions
China RoHS 2 Directive MIIT Order No 32, 2016	Restricted Materials Above Threshold
EU REACH Regulation (EC) No. 1907/2006	Current ECHA Candidate List: JUNE 2024 (241) Candidate List Declared Against: JUNE 2024 (241) SVHC > Threshold: Pb (1.5% in Component Part) Article Safe Usage Statements: Do not eat, drink or smoke when using this product. Wash thoroughly after handling. Recycle if possible and dispose of the article by following all applicable governmental regulations relevant to your geographic location.
Halogen Content	Low Halogen - Br, Cl, F, I < 900 ppm per homogenous material. Also BFR/CFR/PVC Free
Solder Process Capability	Not reviewed for solder process capability

Product Compliance Disclaimer

This information is provided based on reasonable inquiry of our suppliers and represents our current actual knowledge based on the information they provided. This information is subject to change. The part numbers that TE has identified as EU RoHS compliant have a maximum concentration of 0.1% by weight in homogenous materials for lead, hexavalent chromium, mercury, PBB, PBDE, DBP, BBP, DEHP, DIBP, and 0.01% for cadmium, or qualify for an exemption to these limits as defined in the Annexes of Directive 2011/65/EU (RoHS2). Finished electrical and electronic equipment products will be CE marked as required by Directive 2011/65/EU. Components may not be CE marked. Additionally, the part numbers that TE has identified as EU ELV compliant have a maximum concentration of 0.1% by weight in homogenous materials for lead, hexavalent chromium, and mercury, and 0.01% for cadmium, or qualify for an exemption to these limits as defined in the Annexes of Directive 2000/53/EC (ELV). Regarding the REACH Regulation, the information TE provides on SVHC in articles for this part number is based on the latest European Chemicals Agency (ECHA) 'Guidance on requirements for substances in articles' posted at this URL: <https://echa.europa.eu/guidance-documents/guidance-on-reach>

Customers Also Bought



TE Part #6450140-5
MBXL VERT RCPT 2P+24S+2P



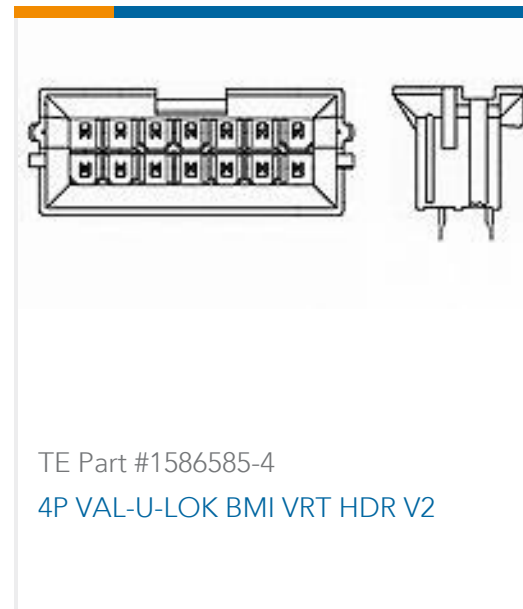
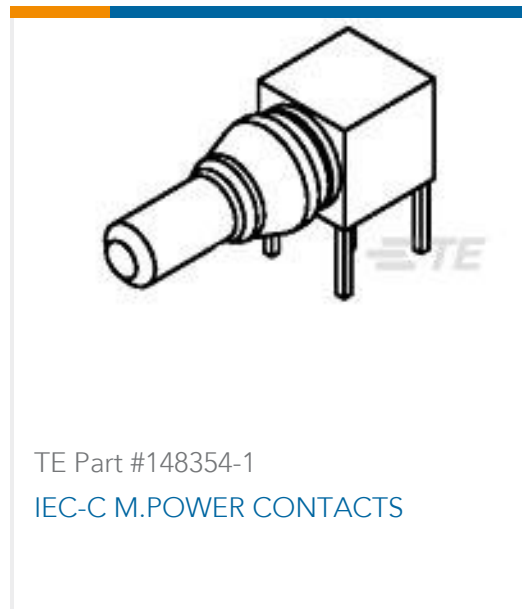
TE Part #5148412-5
ASSY,PIN,R.A.,TYPE M,EUROCARD,L-FREE,60+



TE Part #5148414-5
ASSY,PIN,R.A.,TYPE M,EUROCARD,L-FREE,24+



TE Part #6-1761614-5
STEP-Z PLUG 15MM 200P LF ST



Documents

Product Drawings

CONTACT SZ 20 POSTED PIN

English

CAD Files

3D PDF

3D

Customer View Model

[ENG_CVM_CVM_2-448138-3_AA.2d_dxf.zip](#)

English

Customer View Model

[ENG_CVM_CVM_2-448138-3_AA.3d_igs.zip](#)

English

Customer View Model

[ENG_CVM_CVM_2-448138-3_AA.3d_stp.zip](#)

English

By downloading the CAD file I accept and agree to the [Terms and Conditions](#) of use.

Datasheets & Catalog Pages

ARINC 600 Next Generation Receptacle Connector

English